

US00D969116S

(12) **United States Design Patent** (10) **Patent No.:** **US D969,116 S**
Mai (45) **Date of Patent:** **** Nov. 8, 2022**

(54) **MICROPHONE**

D940,694 S 1/2022 Wang
D954,686 S * 6/2022 Chen D14/227
D956,723 S * 7/2022 Chen D14/228

(71) Applicant: **Shenzhen Xunweijia Technology Development Co., Ltd.**, Shenzhen (CN)

(Continued)

(72) Inventor: **Qibin Mai**, Gaoyao (CN)

FOREIGN PATENT DOCUMENTS

(**) Term: **15 Years**

JP D1704346 * 8/2021

(21) Appl. No.: **29/824,621**

OTHER PUBLICATIONS

(22) Filed: **Jan. 26, 2022**

Neumann TLM 103 mic, Sweetwater website 2022, site visited Aug. 29, 2022, https://www.sweetwater.com/store/detail/TLM103MT-neumann-tlm-103-large-diaphragm-condenser-microphone-matte-black.*

(51) **LOC (13) Cl.** **14-01**

(52) **U.S. Cl.**
USPC **D14/228**

(58) **Field of Classification Search**
USPC D14/225–229
CPC H04R 19/04; H04R 1/025; H04R 1/04;
H04R 11/04

See application file for complete search history.

Primary Examiner — John R Yeh

(57) **CLAIM**

The ornamental design for microphone, substantially as shown and described.

DESCRIPTION

(56) **References Cited**

U.S. PATENT DOCUMENTS

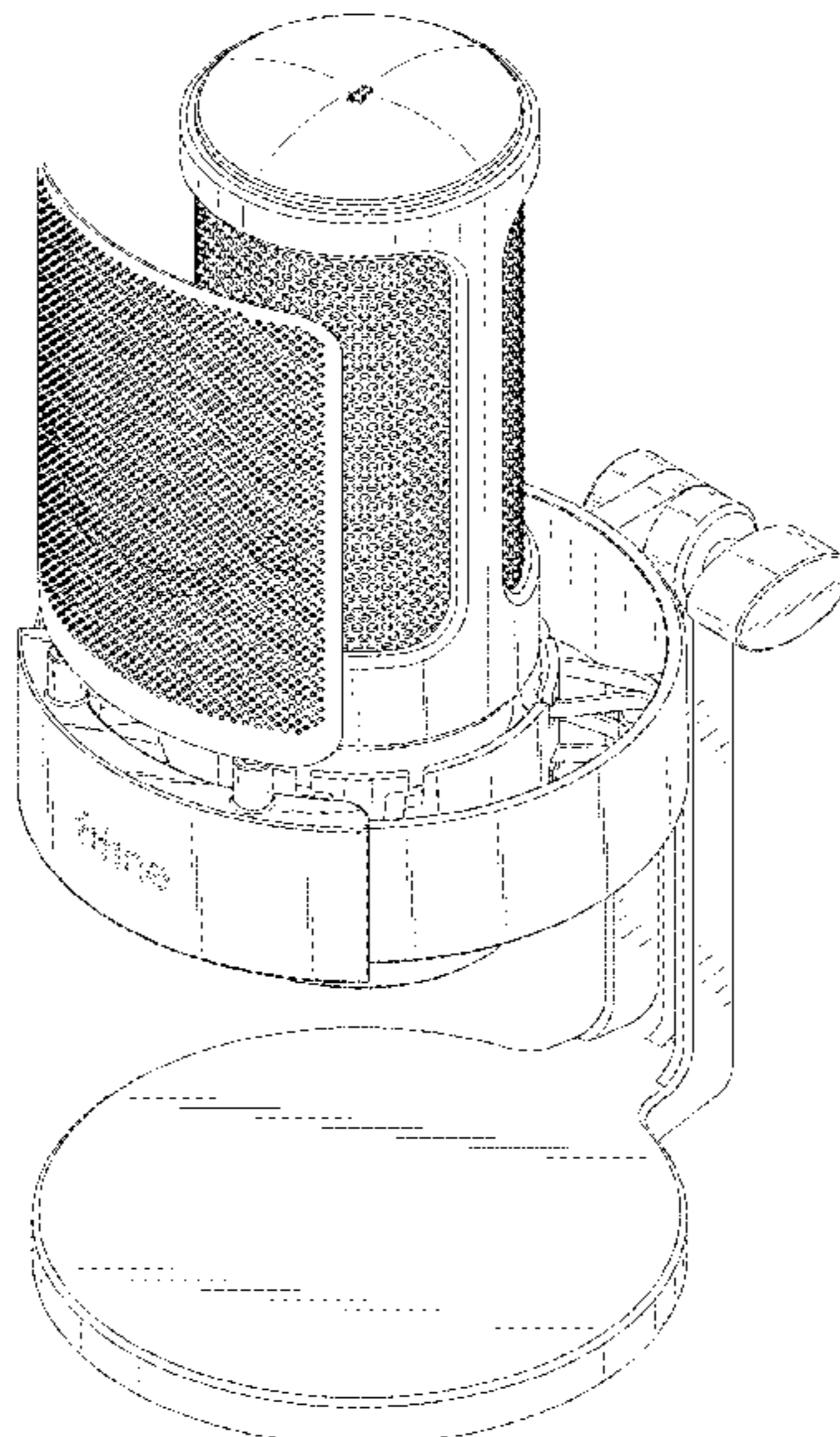
- D292,701 S * 11/1987 Drever D14/228
- 5,357,577 A * 10/1994 Waji H01J 7/24
381/115
- D516,546 S * 3/2006 Sobol D14/228
- D604,274 S * 11/2009 Durrett D14/228
- D717,170 S * 11/2014 Tan D9/600
- D719,140 S * 12/2014 Sanhui D14/225
- D747,296 S * 1/2016 Wise D14/227
- D835,612 S * 12/2018 Tong D14/225
- D849,721 S * 5/2019 Chen D14/227
- D850,423 S * 6/2019 Chen D14/227
- D868,754 S * 12/2019 Chou D14/225
- D880,453 S * 4/2020 Walcott D14/228
- D910,605 S * 2/2021 Renwick D14/227
- D917,432 S * 4/2021 Mai D14/227
- D925,505 S * 7/2021 Wang D14/228
- D930,624 S * 9/2021 Renwick D14/227
- D931,839 S * 9/2021 Bryant D14/227
- D933,640 S * 10/2021 Zhou D14/225

A portion of the disclosure of this patent document contains material which is subject to copyright protection. This patent document may show and/or describe matter which is or may become trade dress of the owner. The copyright and trade dress owner has no objection to the facsimile reproduction by anyone of the patent disclosure as it appears in the Patent and Trademark Office patent files or records, but otherwise reserves all copyright and trade dress rights whatsoever.

FIG. 1 is a front perspective view of a microphone, showing my new design;
FIG. 2 is a front view thereof;
FIG. 3 is a rear view thereof;
FIG. 4 is a left side view thereof;
FIG. 5 is a right side view thereof;
FIG. 6 is a top view thereof; and,
FIG. 7 is a bottom view thereof.

The broken lines in the drawings illustrate portions of the microphone which form no part of the claimed design.

1 Claim, 7 Drawing Sheets



(56)

References Cited

U.S. PATENT DOCUMENTS

2010/0208929 A1* 8/2010 Heil H04R 11/04
381/355
2012/0114146 A1* 5/2012 Shimura H04R 19/016
381/174
2017/0171670 A1* 6/2017 Akino H04R 1/04

* cited by examiner

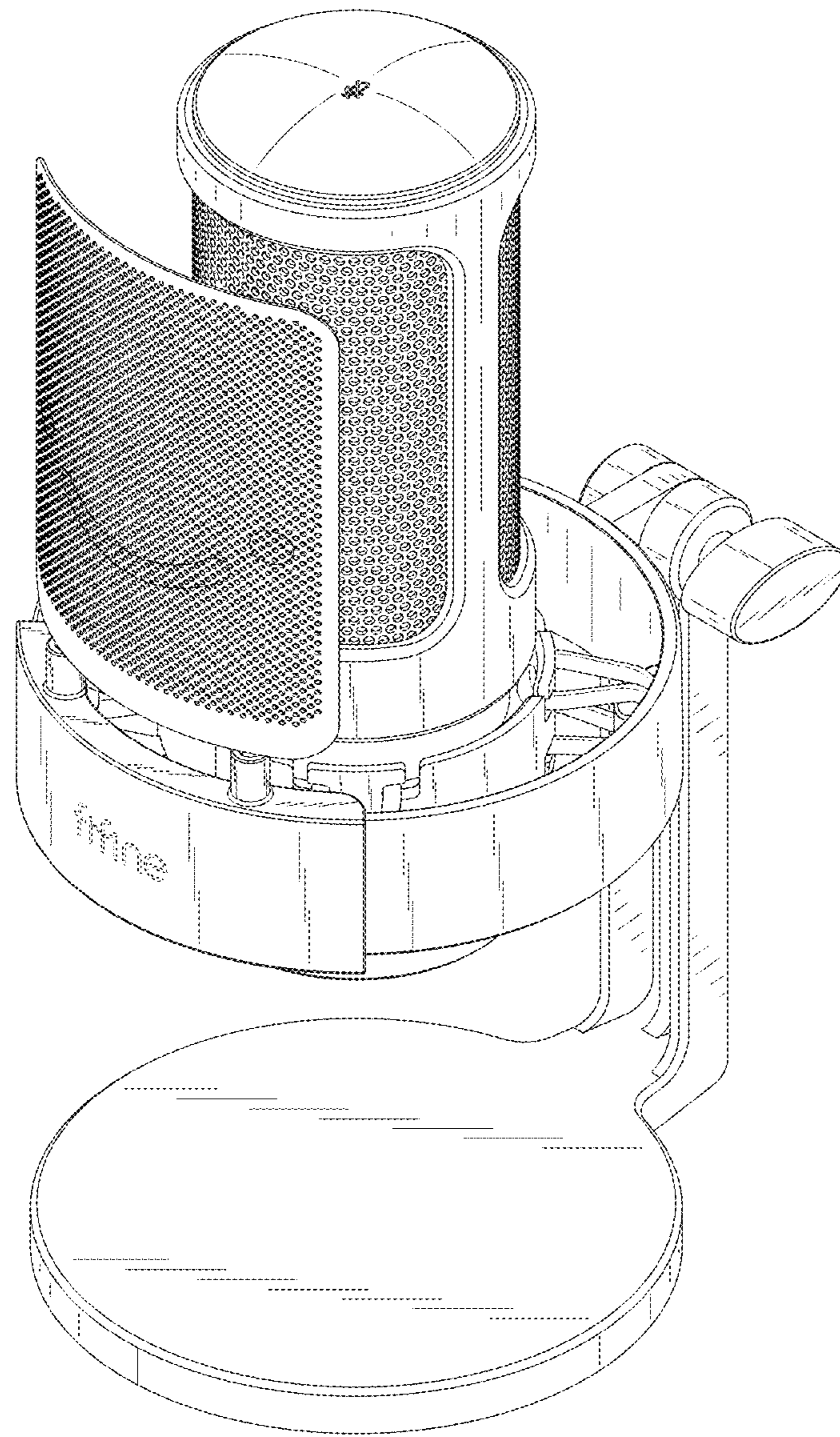


FIG. 1

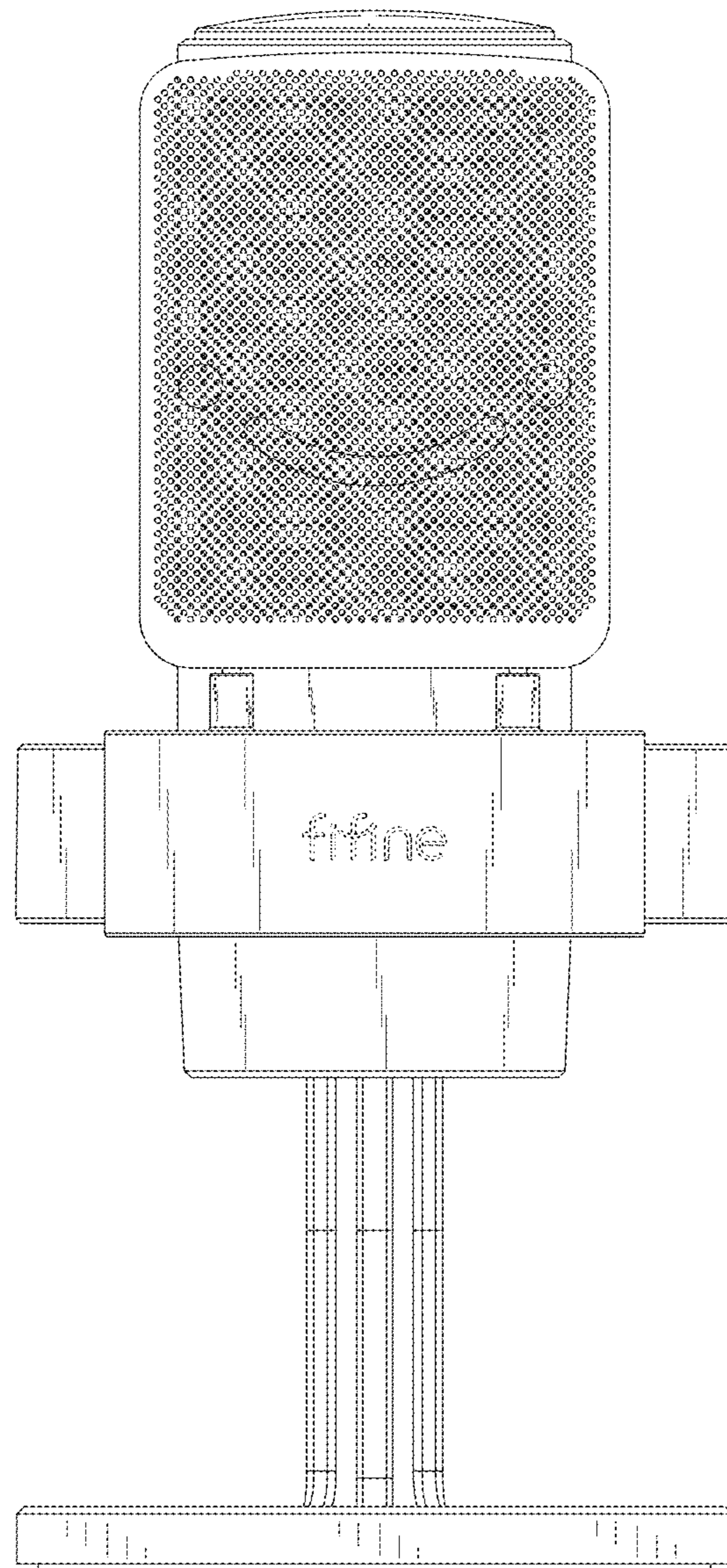


FIG. 2

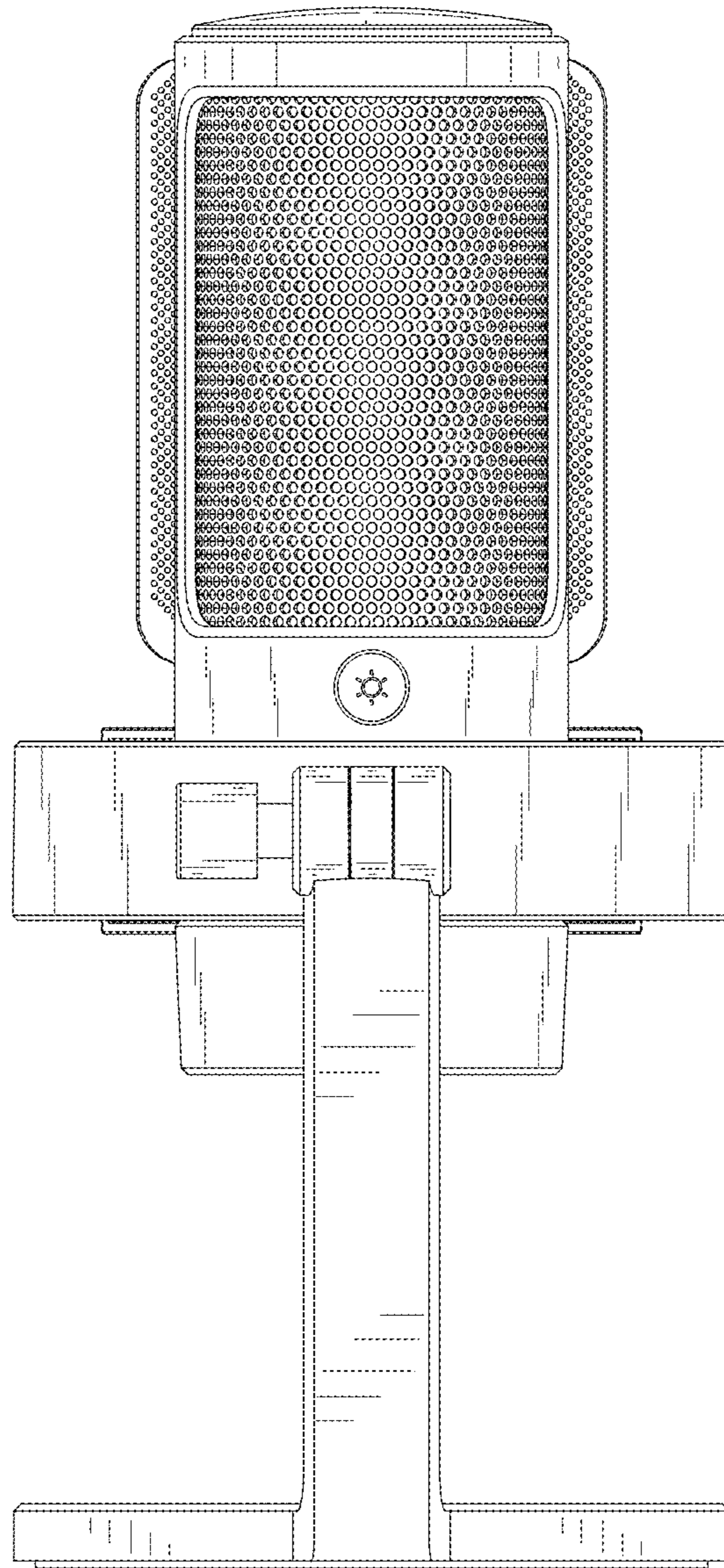


FIG. 3

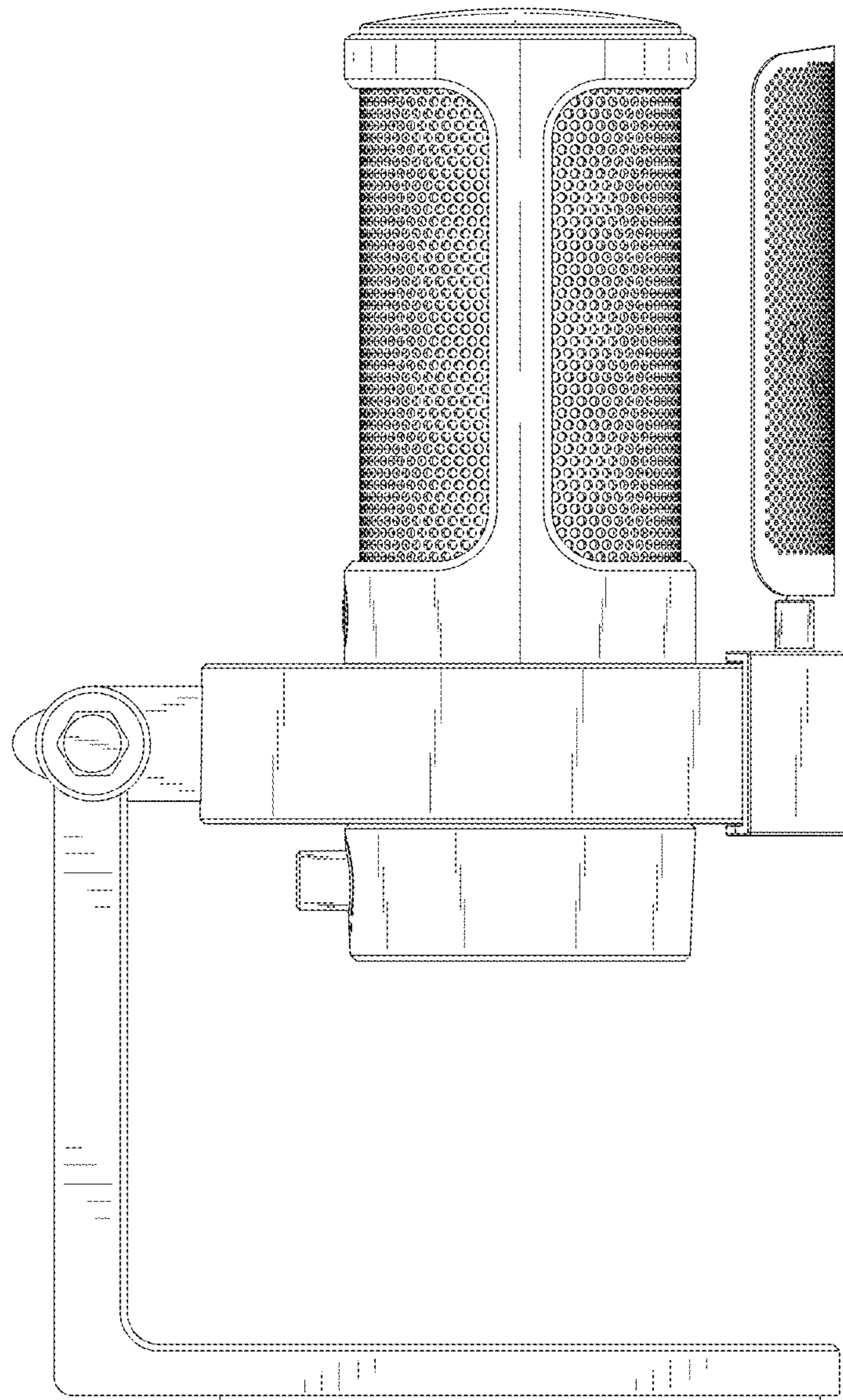


FIG. 4

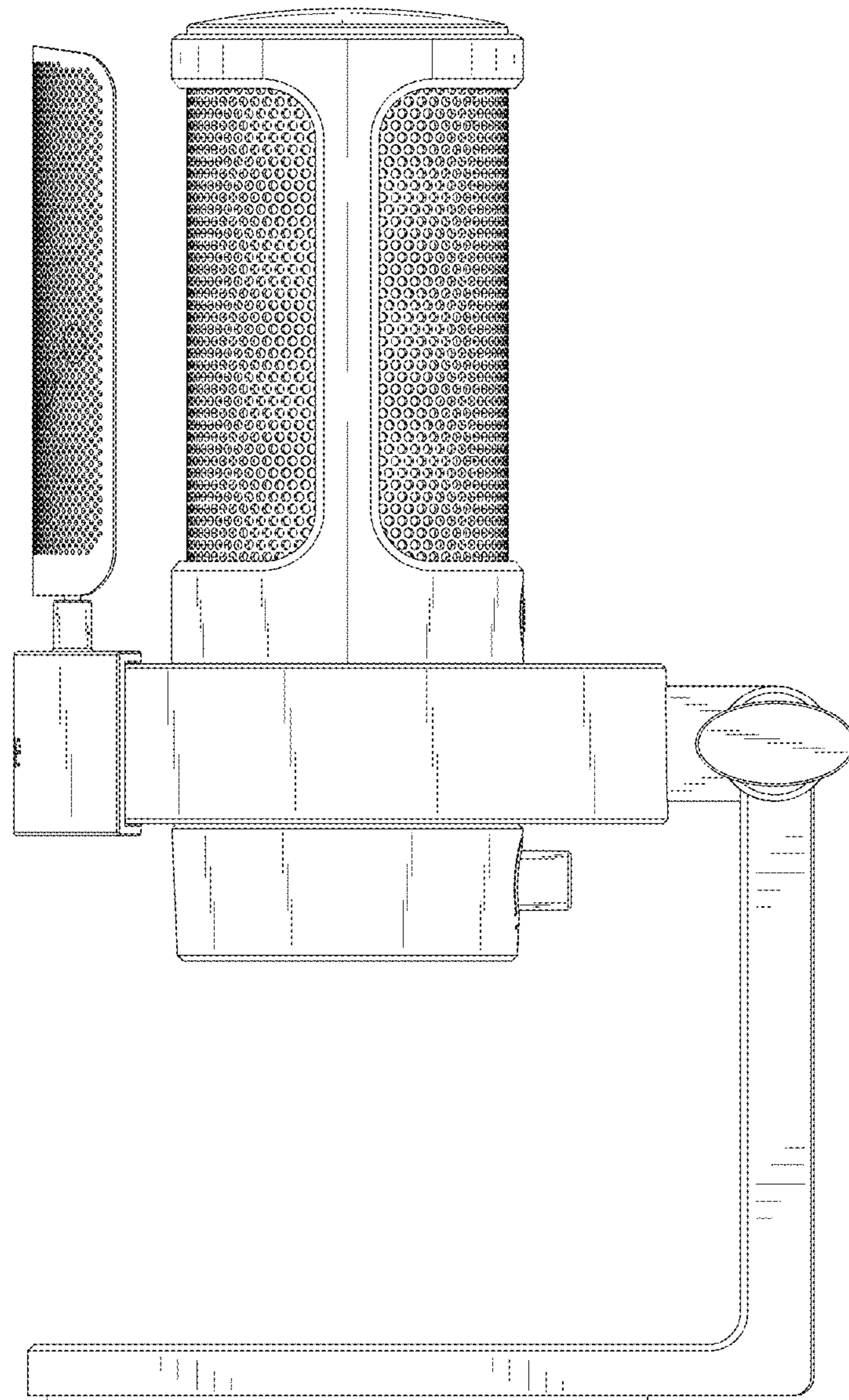


FIG. 5

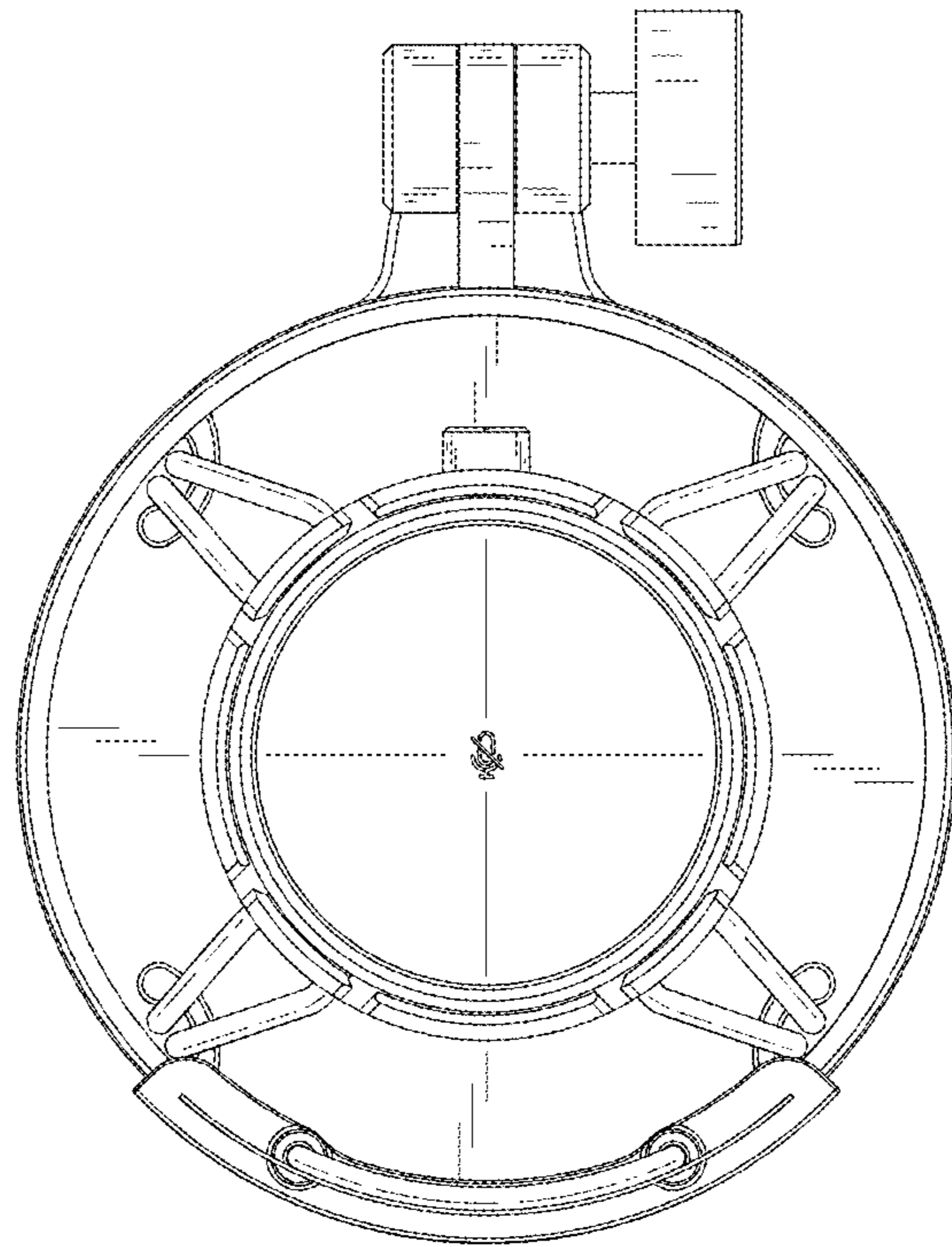


FIG. 6

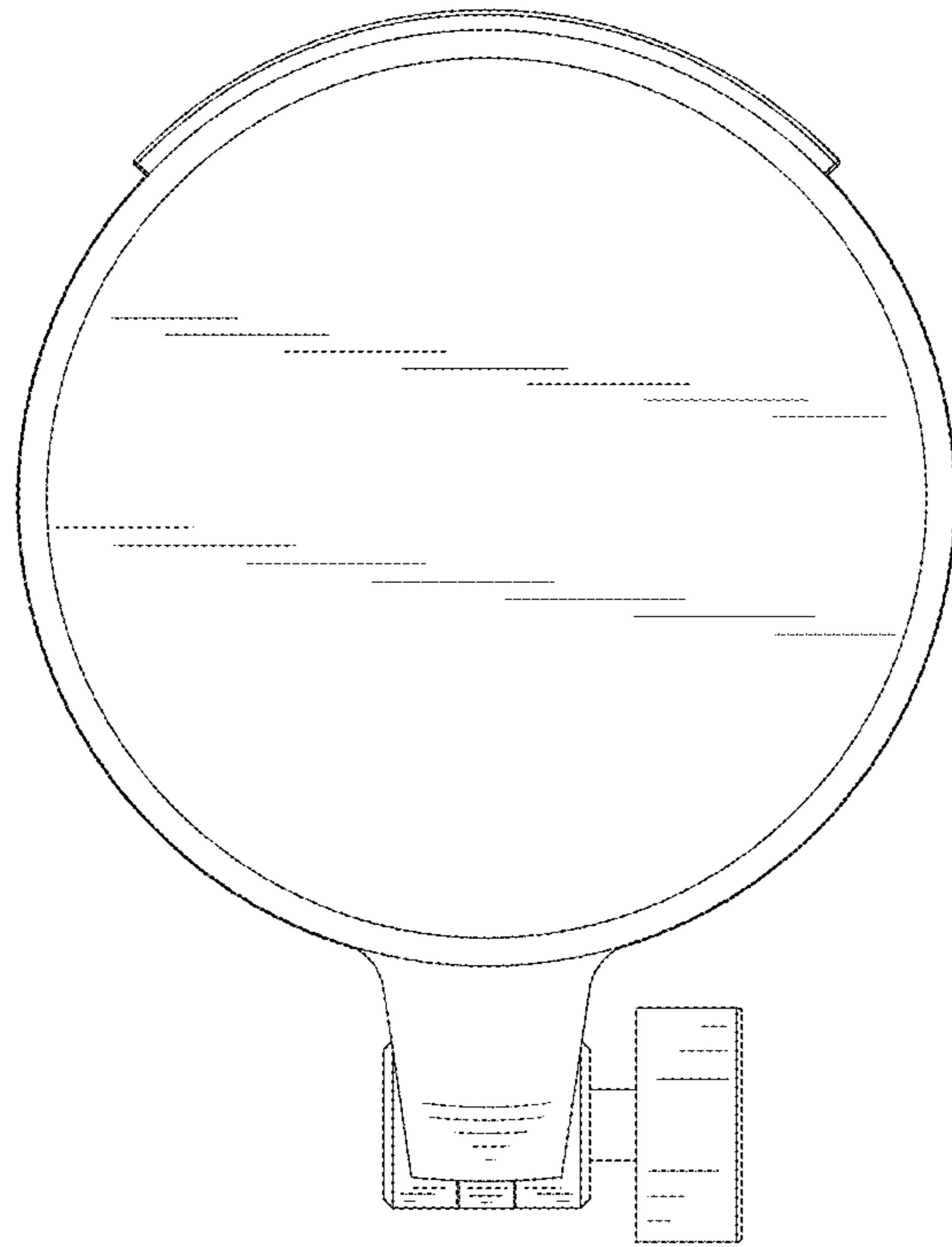


FIG. 7