



US00D969113S

(12) **United States Design Patent**  
**Kallas et al.**

(10) **Patent No.:** **US D969,113 S**

(45) **Date of Patent:** **\*\* \*Nov. 8, 2022**

(54) **SPEAKER BRACKET**

(71) Applicant: **Music Express, LLC**, Kingston, WA (US)

(72) Inventors: **Ryan Kallas**, Playa del Ray, CA (US);  
**J. Herschel Blankenship**, Kingston, WA (US)

(73) Assignee: **Music Express, LLC**, Kingston, WA (US)

(\*) Notice: This patent is subject to a terminal disclaimer.

(\*\*) Term: **15 Years**

(21) Appl. No.: **29/729,552**

(22) Filed: **Mar. 27, 2020**

(51) **LOC (13) Cl.** ..... **14-01**

(52) **U.S. Cl.**  
USPC ..... **D14/224**

(58) **Field of Classification Search**  
USPC ..... D14/224, 452, 451, 336; D8/380, 363,  
D8/355, 349; 381/176, 361, 363;  
248/183.2, 418, 181.1, 371, 920, 183.1,  
248/278.1; 269/72, 75; 411/393;  
379/454

CPC ..... F16B 47/00; F16M 13/02; F16M 11/00;  
A47B 97/04; A47B 23/00; B60R 11/00;  
E04G 3/00

See application file for complete search history.

(56) **References Cited**

**U.S. PATENT DOCUMENTS**

- 1,630,870 A \* 5/1927 Strunck ..... A47F 5/06  
248/412
- 2,293,593 A \* 8/1942 Clark ..... A45D 44/04  
248/404
- 2,628,289 A \* 2/1953 Olson ..... H04R 1/08  
381/361

- 2,650,788 A \* 9/1953 Hulstein ..... F16M 11/2078  
248/231.71
- 2,896,901 A \* 7/1959 Levy ..... F16M 11/10  
248/278.1
- 2,898,068 A \* 8/1959 Warren ..... F16B 2/065  
248/183.1
- 2,922,609 A \* 1/1960 Collier ..... F16M 11/126  
248/179.1
- 3,204,898 A \* 9/1965 Manning ..... E04F 11/1812  
248/516

(Continued)

**FOREIGN PATENT DOCUMENTS**

EM 000842224-0001 \* 12/2007

*Primary Examiner* — Paula Allen Greene

(74) *Attorney, Agent, or Firm* — JK Intellectual Property Law, PA

(57) **CLAIM**

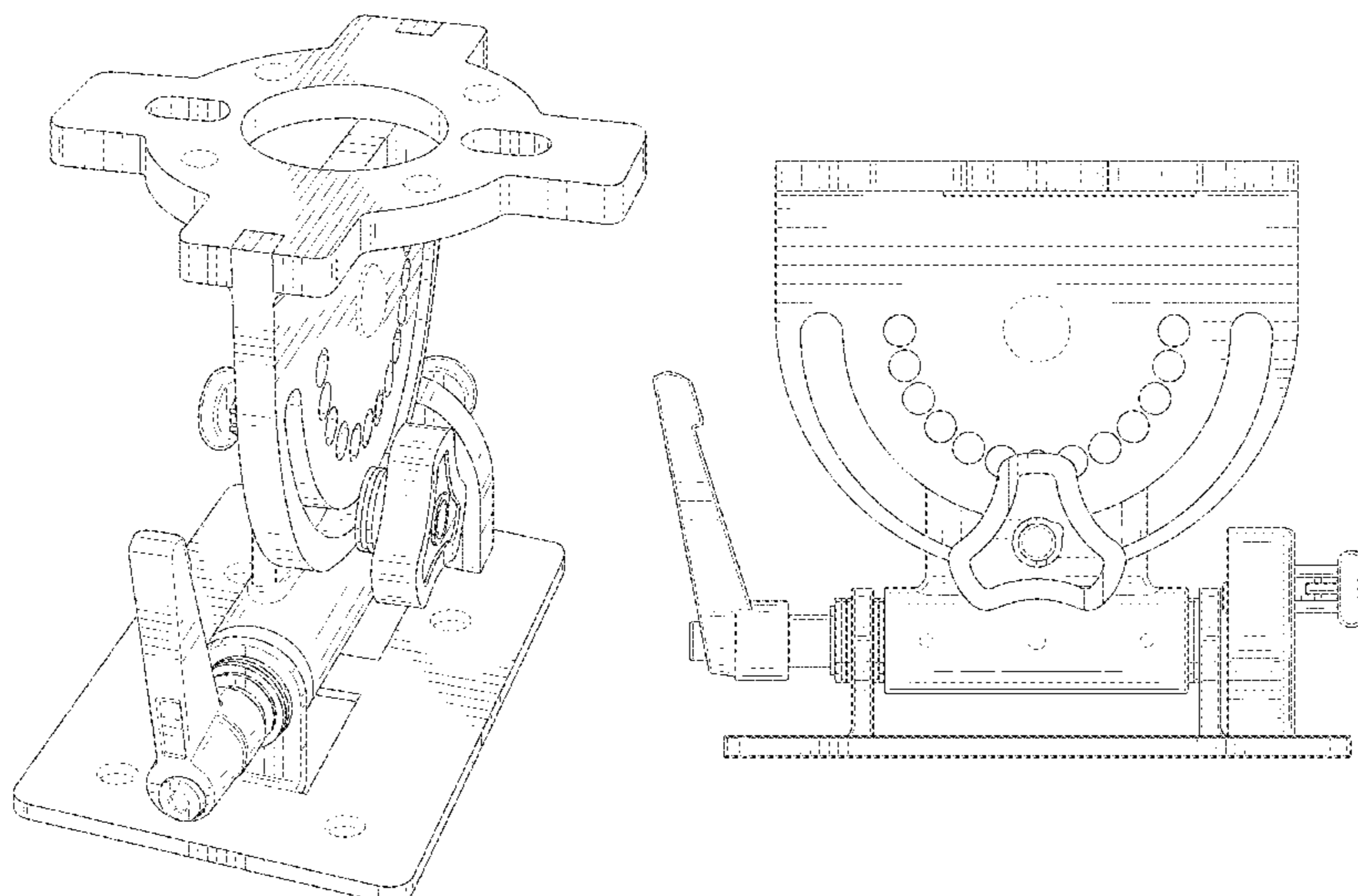
The ornamental design for speaker bracket, as shown and described.

**DESCRIPTION**

FIG. 1 is a front perspective view of a speaker bracket according to the present design;  
 FIG. 2 is a front view of a speaker bracket as shown in FIG. 1;  
 FIG. 3 is a rear view of a speaker bracket as shown in FIG. 1;  
 FIG. 4 is a right side view of a speaker bracket as shown in FIG. 1;  
 FIG. 5 is a left side view of a speaker bracket as shown in FIG. 1;  
 FIG. 6 is a top view of a speaker bracket as shown in FIG. 1; and,  
 FIG. 7 is a bottom view of a speaker bracket as shown in FIG. 1.

The broken lines shown in FIGS. 1-7 are for purpose illustrating portions of the speaker bracket that form no part of the claimed design.

**1 Claim, 7 Drawing Sheets**



(56)

References Cited

U.S. PATENT DOCUMENTS

D219,033 S \* 10/1970 Salsgiver ..... D6/656.11  
 3,661,376 A \* 5/1972 Hill ..... B23Q 1/28  
 269/75  
 3,936,026 A \* 2/1976 Hampel ..... F16M 11/08  
 248/349.1  
 3,971,526 A \* 7/1976 Underwood ..... B65H 75/14  
 242/118.6  
 4,034,946 A \* 7/1977 Zimmer, Jr. .... F21V 21/30  
 248/183.2  
 4,068,961 A \* 1/1978 Ebner ..... F16C 11/0661  
 248/181.1  
 4,160,541 A \* 7/1979 Harken ..... B63B 21/10  
 114/218  
 D253,594 S \* 12/1979 Antenbring ..... 248/922  
 4,278,223 A \* 7/1981 Fauteux ..... A45D 20/00  
 219/242  
 4,304,385 A \* 12/1981 Farouche ..... F16M 11/14  
 248/182.1  
 4,395,010 A \* 7/1983 Helgeland ..... F16M 11/08  
 248/371  
 4,470,106 A \* 9/1984 Norton ..... F16M 11/10  
 248/278.1  
 D281,317 S \* 11/1985 Whitaker ..... D14/224  
 4,564,166 A \* 1/1986 Craft ..... F16M 11/126  
 248/179.1  
 4,660,493 A \* 4/1987 Lowry, III ..... B63B 21/08  
 114/199  
 4,690,362 A \* 9/1987 Helgeland ..... F16M 11/18  
 248/183.1  
 4,738,422 A \* 4/1988 Matheson ..... F16M 11/126  
 248/183.2  
 5,024,415 A \* 6/1991 Purens ..... F16M 11/126  
 248/349.1  
 5,221,070 A \* 6/1993 Heilmer ..... A47B 23/02  
 248/447.1  
 D338,882 S \* 8/1993 Reiter ..... D14/447  
 D362,253 S \* 9/1995 Vogels ..... D14/224  
 5,497,965 A \* 3/1996 Mathieu, Jr. .... F16M 11/041  
 248/159  
 5,522,527 A \* 6/1996 Tsai ..... B62J 11/04  
 224/414  
 5,751,548 A \* 5/1998 Hall ..... F16C 11/10  
 248/122.1

5,931,102 A \* 8/1999 Grahl ..... F16M 11/10  
 108/42  
 D417,872 S \* 12/1999 Monson ..... D14/211  
 6,116,554 A \* 9/2000 Wei ..... F16M 11/105  
 248/183.1  
 6,161,741 A \* 12/2000 French ..... F41C 33/0227  
 224/192  
 6,244,553 B1 \* 6/2001 Wang ..... B60R 11/02  
 248/278.1  
 6,505,988 B1 \* 1/2003 Oddsen, Jr. .... F16M 11/105  
 248/278.1  
 6,510,049 B2 \* 1/2003 Rosen ..... F16M 11/105  
 248/919  
 6,669,155 B2 \* 12/2003 Ron ..... B60R 11/0241  
 248/176.1  
 D488,708 S \* 4/2004 Lam ..... D8/363  
 D499,954 S \* 12/2004 Brushaber ..... D8/355  
 7,028,961 B1 \* 4/2006 Dittmer ..... F16M 11/04  
 248/278.1  
 D538,633 S \* 3/2007 Ly Hau ..... D8/363  
 D539,123 S \* 3/2007 Ly Hau ..... D8/363  
 D543,548 S \* 5/2007 Muday ..... D14/452  
 D552,455 S \* 10/2007 Moore ..... D8/363  
 D557,126 S \* 12/2007 Worrall ..... D14/452  
 D595,723 S \* 7/2009 Bures ..... D14/451  
 D629,405 S \* 12/2010 Crysell ..... D14/447  
 D679,281 S \* 4/2013 Kaluza ..... D14/452  
 D753,128 S \* 4/2016 Anderson ..... D14/452  
 D821,365 S \* 6/2018 Gheysens ..... D14/224  
 D825,535 S \* 8/2018 Wright ..... D14/224  
 D865,772 S \* 11/2019 Theisen ..... D14/452  
 D881,167 S \* 4/2020 Jiao ..... D14/224  
 D915,359 S \* 4/2021 Zhang ..... D14/224  
 2005/0045794 A1 \* 3/2005 Richter ..... F16M 11/2021  
 248/371  
 2007/0012825 A1 \* 1/2007 Yeh ..... F16M 11/105  
 248/122.1  
 2008/0061199 A1 \* 3/2008 Chen ..... F16M 11/2064  
 248/205.8  
 2009/0308993 A1 \* 12/2009 Chang ..... F16M 13/005  
 248/176.3  
 2013/0270317 A1 \* 10/2013 Wang ..... B60R 11/02  
 224/570  
 2014/0061270 A1 \* 3/2014 Richter ..... B62J 11/00  
 224/420  
 2016/0025264 A1 \* 1/2016 Casagrande ..... F16M 11/041  
 248/205.9

\* cited by examiner

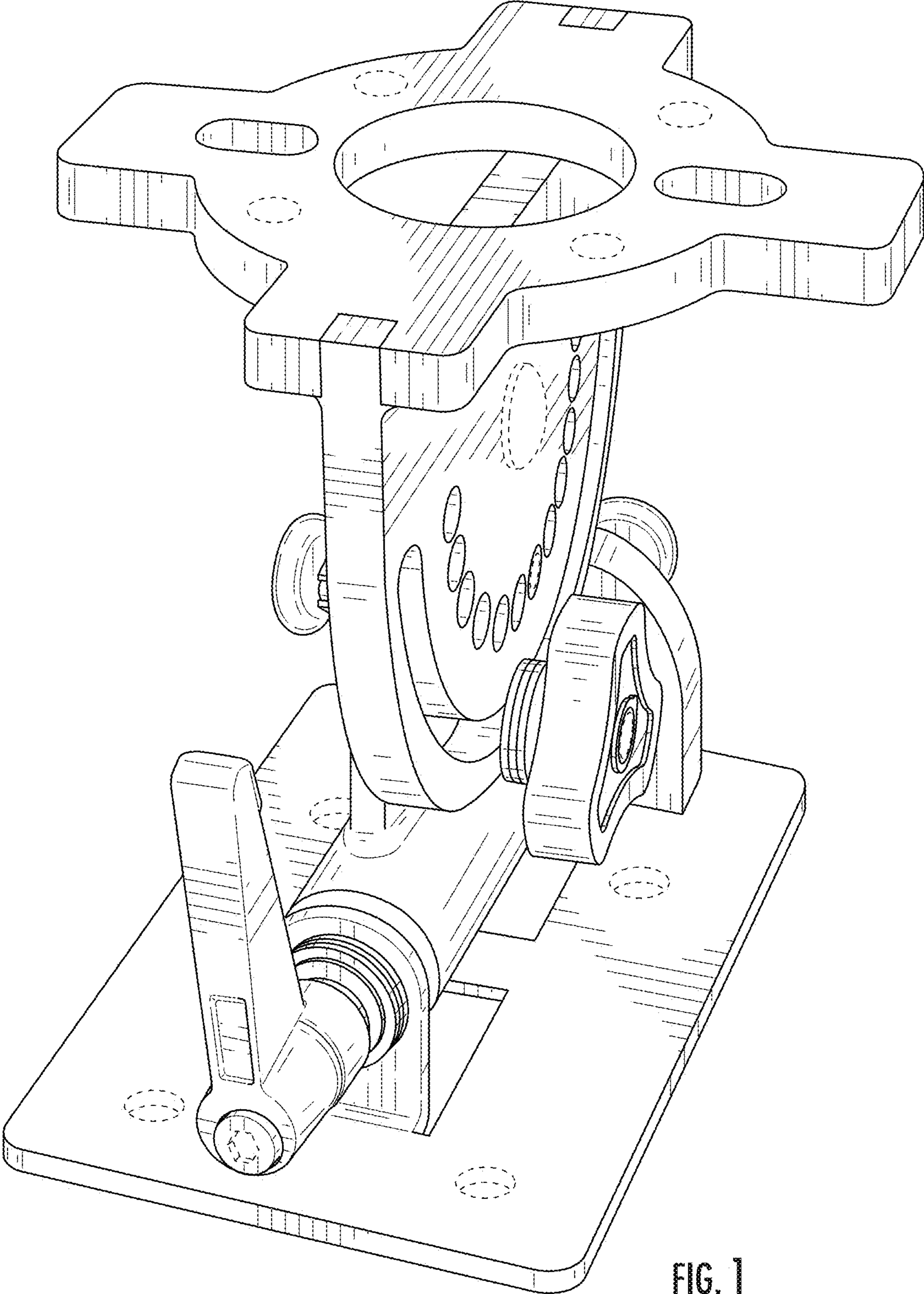


FIG. 1

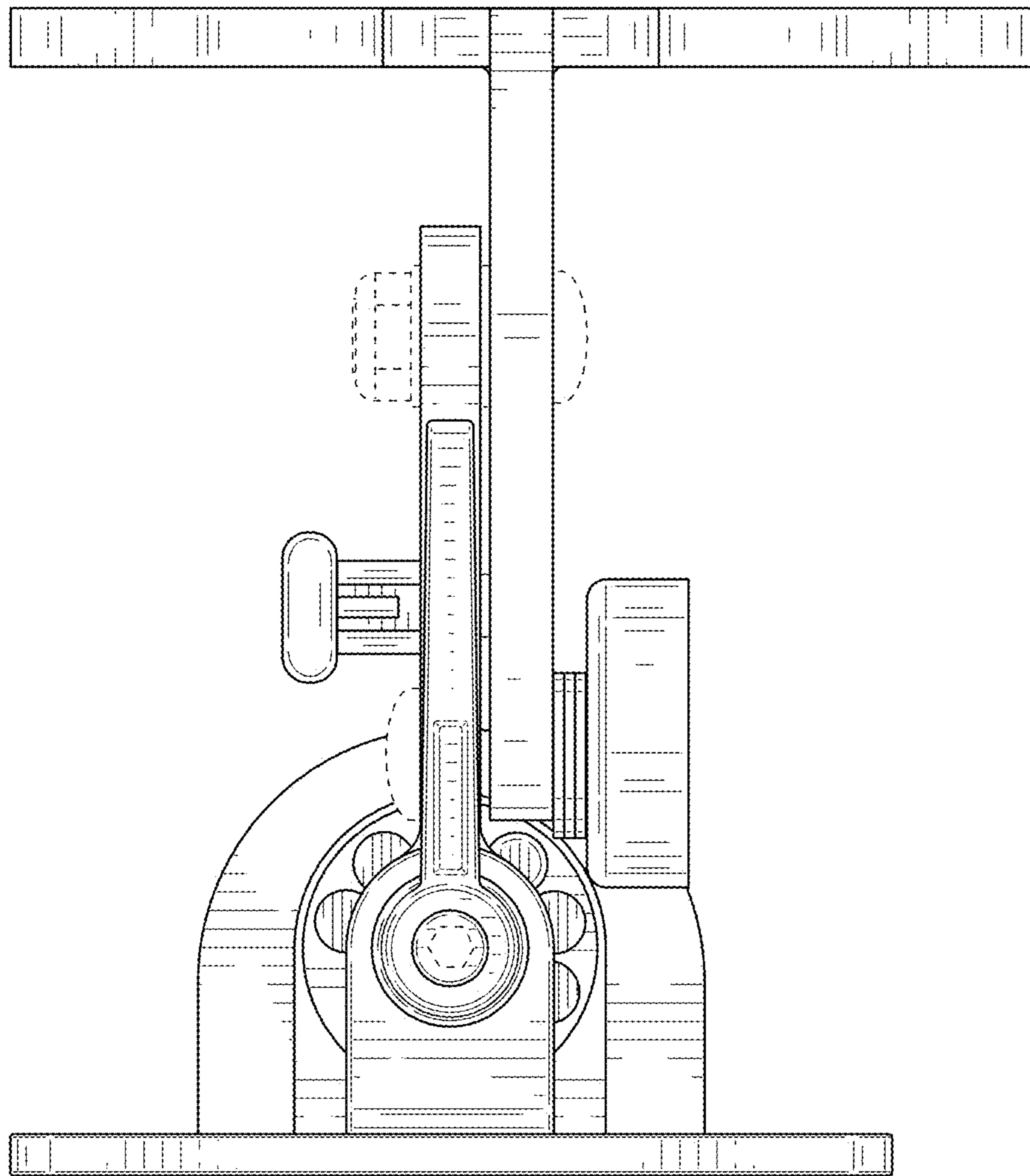


FIG. 2

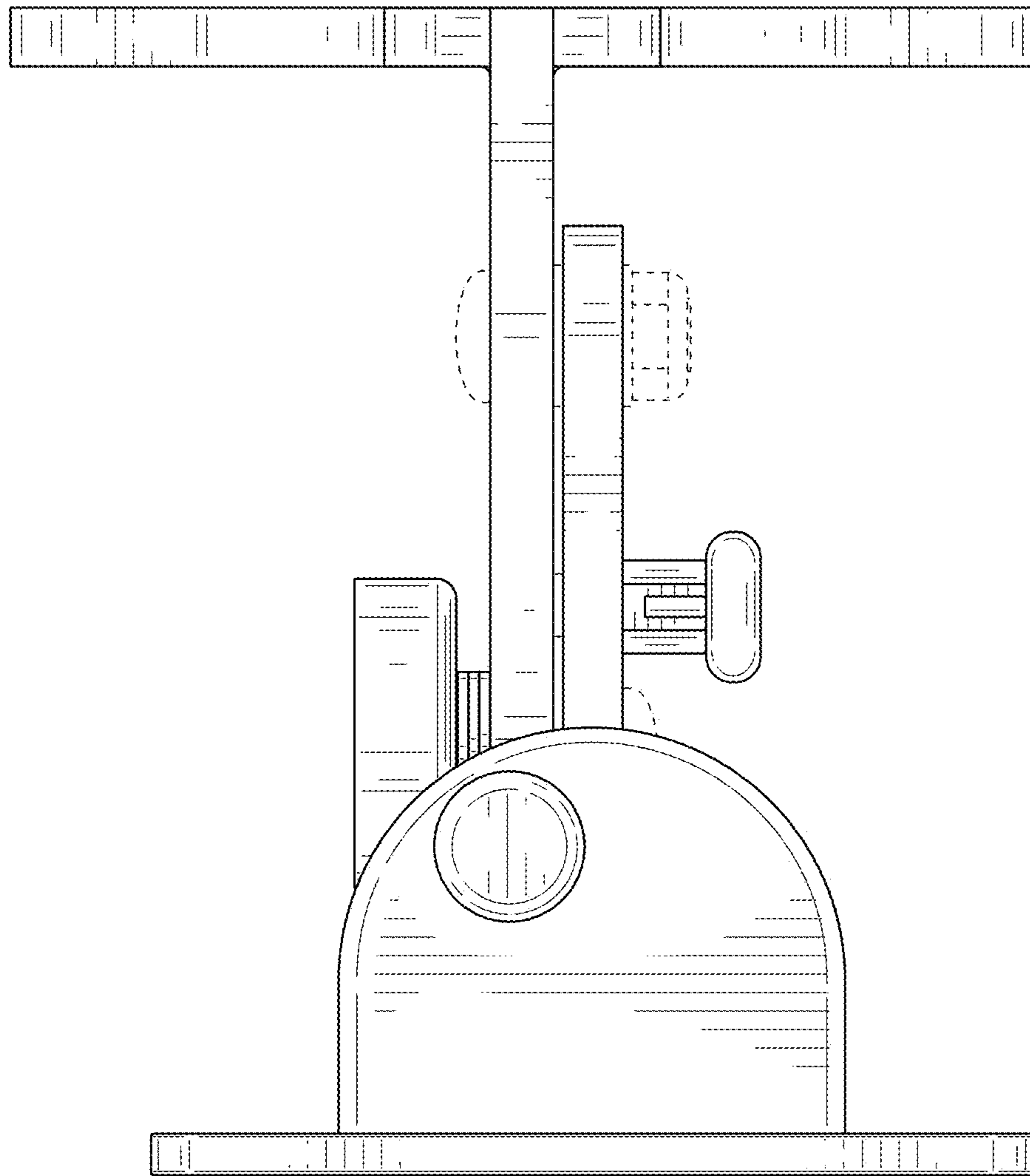


FIG. 3

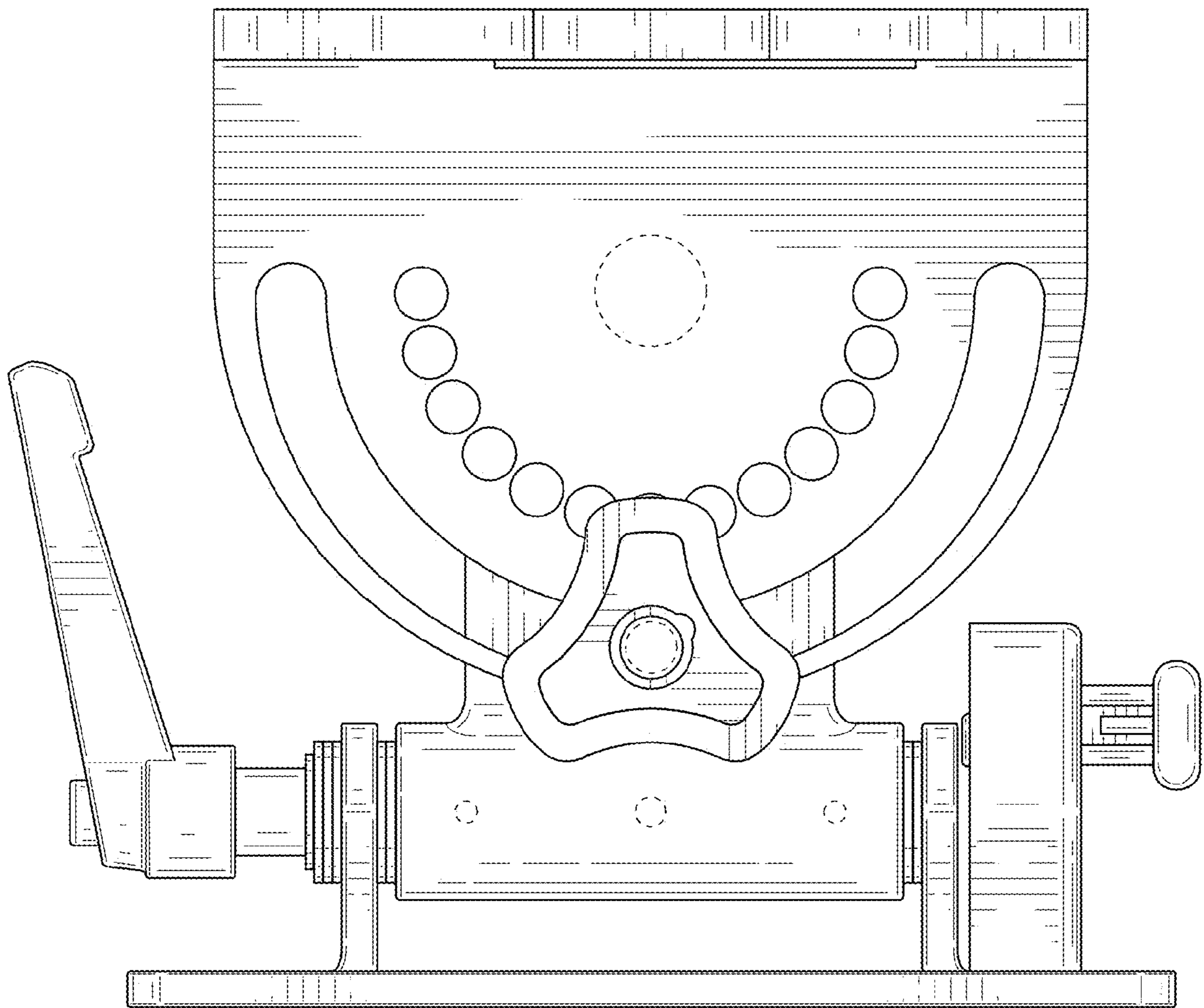


FIG. 4

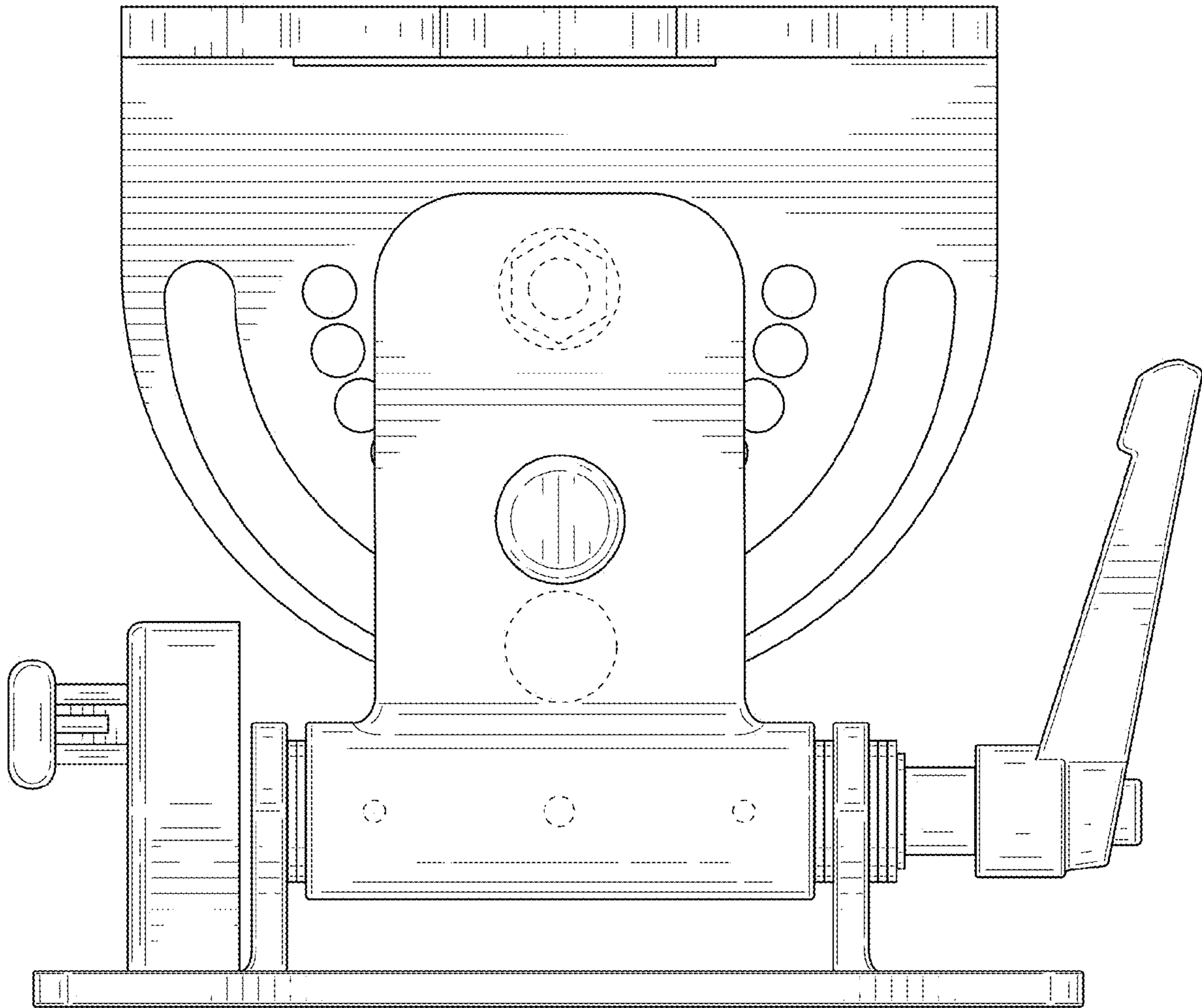


FIG. 5

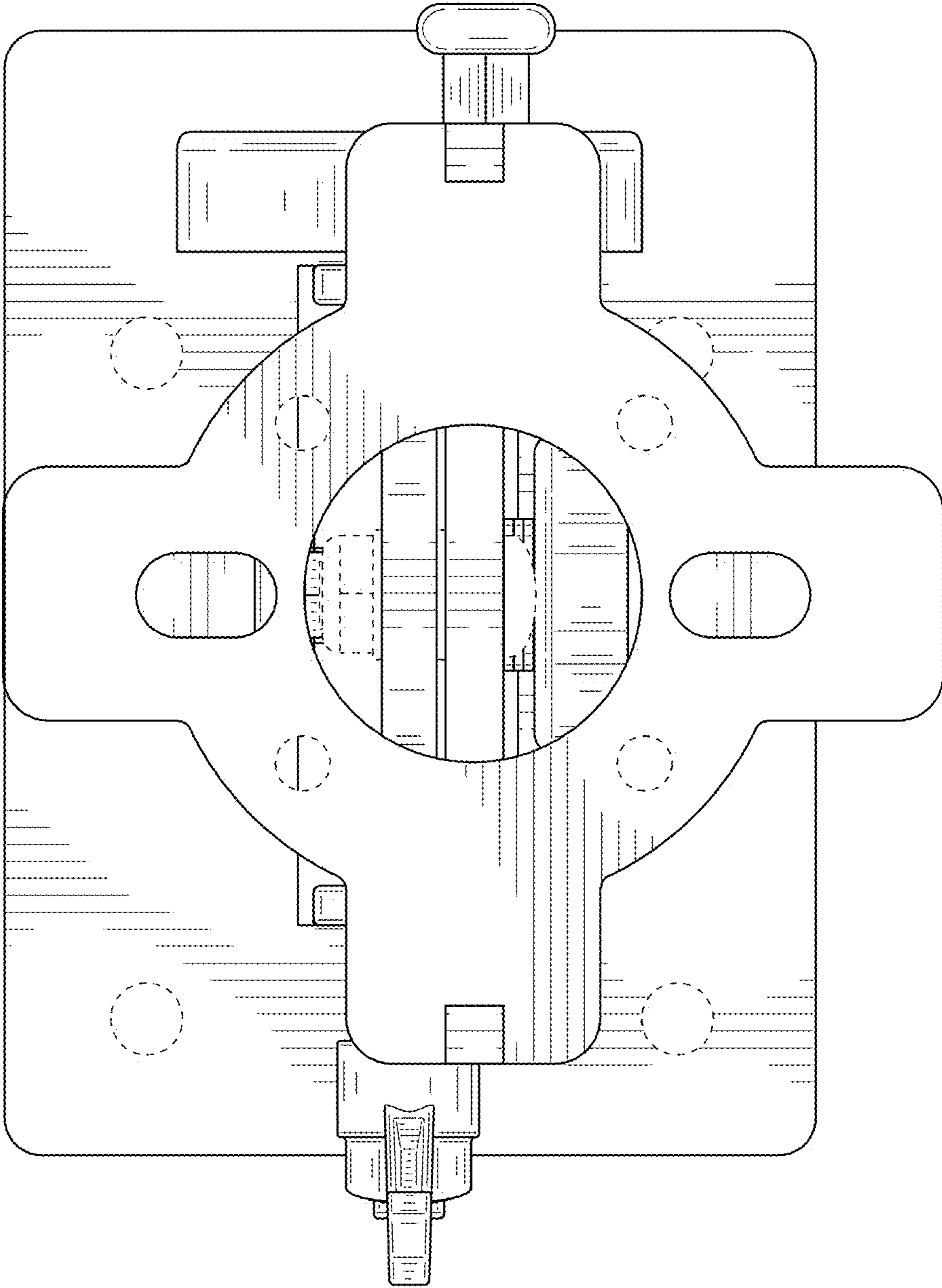


FIG. 6



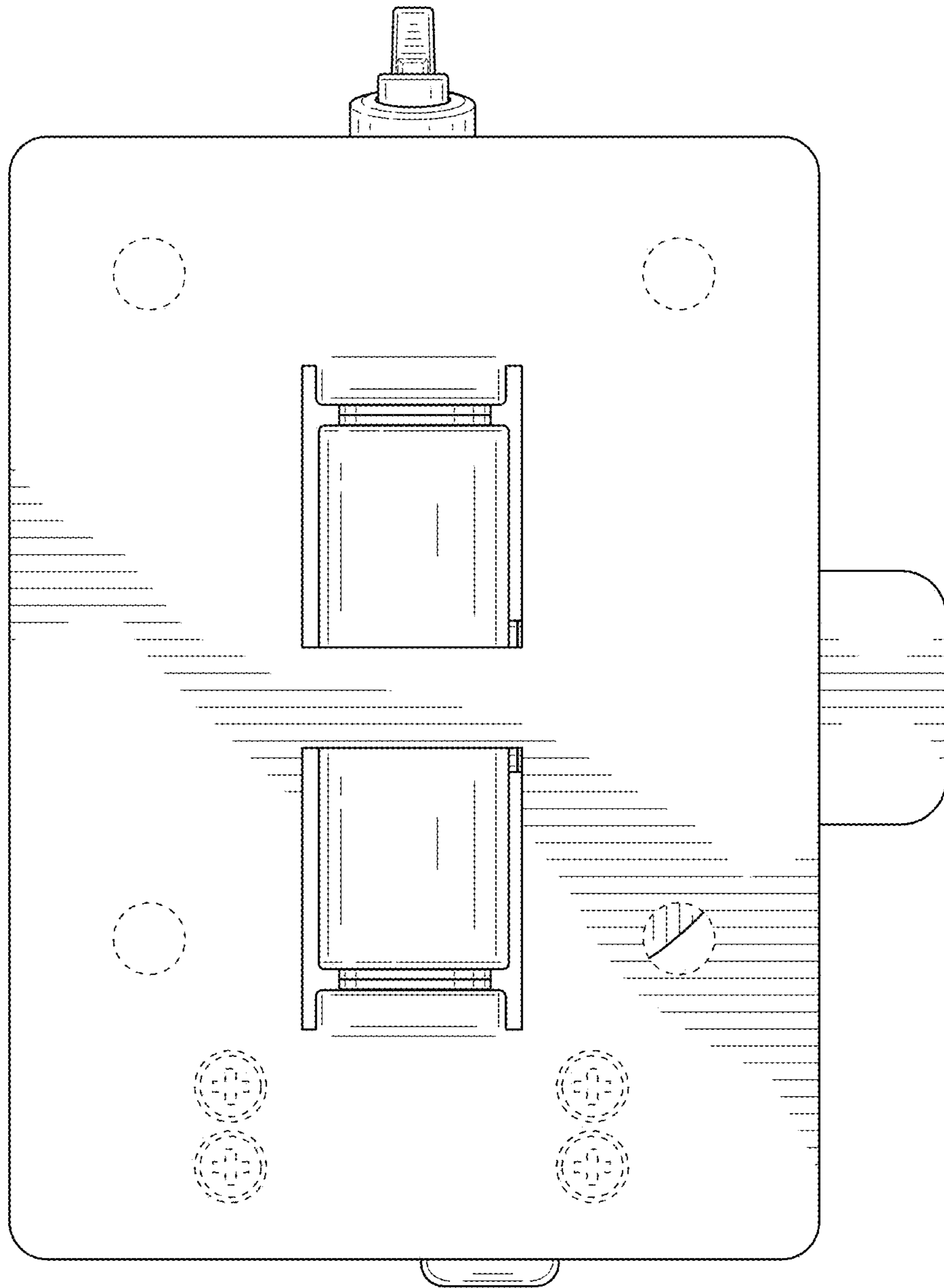


FIG. 7