

US00D969111S

(12) **United States Design Patent** (10) **Patent No.:** **US D969,111 S**  
**Guo** (45) **Date of Patent:** **\*\* Nov. 8, 2022**

(54) **ANTI-LOSS CORD FOR WIRELESS  
EARPHONES**

(71) Applicant: **Xinfa Guo**, Hunan (CN)

(72) Inventor: **Xinfa Guo**, Hunan (CN)

(\*\*) Term: **15 Years**

(21) Appl. No.: **29/822,036**

(22) Filed: **Jan. 5, 2022**

(51) **LOC (13) Cl.** ..... **14-01**

(52) **U.S. Cl.**  
USPC ..... **D14/223**

(58) **Field of Classification Search**  
USPC ..... D14/204–206, 223–224, 250–251;  
D13/108  
CPC .. H04R 1/1083; H04R 1/1041; H04R 1/1016;  
H04R 5/0335; H04R 1/1066; H04R  
1/1033; H02J 7/0044

See application file for complete search history.

(56) **References Cited**

U.S. PATENT DOCUMENTS

D318,865 S *	8/1991	Ichikawa	.....	D14/223
D526,642 S *	8/2006	Choe	.....	D14/223
D582,389 S *	12/2008	Bose	.....	D14/206
D595,690 S *	7/2009	Fullerton	.....	D14/205
D643,414 S *	8/2011	Lee	.....	D14/223
D648,317 S *	11/2011	Katsuraku	.....	D14/205
D662,079 S *	6/2012	Fahrendorff	.....	D14/205
D669,882 S *	10/2012	Prisciandaro	.....	D14/205
D712,884 S *	9/2014	Krauss	.....	D14/223
9,167,330 B1 *	10/2015	Shattuck	.....	H04R 1/1033
D774,489 S *	12/2016	Loh Jun Kern	.....	D14/205
D777,138 S *	1/2017	Fletcher	.....	D14/205
D808,360 S *	1/2018	Arimoto	.....	D14/223
D817,301 S	5/2018	Aoyagi et al.		
D817,920 S *	5/2018	Paschke	.....	D14/205
D822,636 S *	7/2018	Liu	.....	D14/205
D824,878 S *	8/2018	Kim	.....	H04R 25/00 D14/206
D830,994 S	10/2018	Lee		

D839,237 S *	1/2019	Mei	.....	D14/205
D855,580 S *	8/2019	Ma	.....	D14/206
D871,366 S *	12/2019	Petersen	.....	D14/205
D957,360 S *	7/2022	Lalvani	.....	D14/205
2008/0285785 A1 *	11/2008	Zieg	.....	H04R 5/023 381/370

(Continued)

FOREIGN PATENT DOCUMENTS

EM	006665139-0004	*	8/2022
HK	1914714-0003	*	7/2020

OTHER PUBLICATIONS

Two rings on a rope, article 2022, site visited Aug. 1, 2022, <https://www.active.com/fitness/articles/the-6-best-gymnastic-rings-to-improve-your-overall-fitness>.\*

*Primary Examiner* — John R Yeh

(74) *Attorney, Agent, or Firm* — ScienBiziP, P.C.

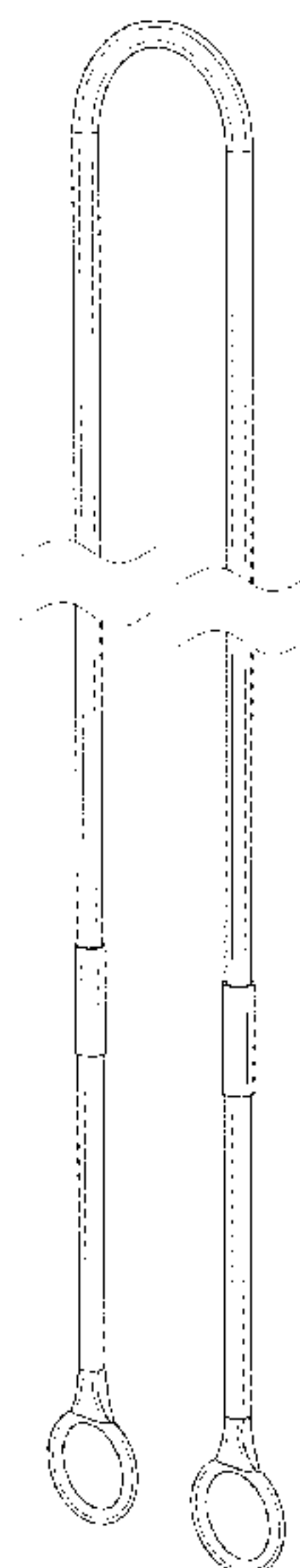
(57) **CLAIM**

The ornamental design for an anti-lost cord for wireless earphone, as shown and described.

**DESCRIPTION**

FIG. 1 is a front, right and top perspective view of an anti-lost cord for wireless earphone, showing my design. FIG. 2 is a front elevation view thereof. FIG. 3 is a rear elevation view thereof. FIG. 4 is a left side elevation view thereof. FIG. 5 is a right side elevation view thereof. FIG. 6 is a top plan view thereof; and, FIG. 7 is a bottom plan view thereof. Cords of the anti-lost cord for wireless earphone are shown broken away in the middle to indicate that lengths of the cords are variable. The broken away symbols form no part of the claimed design.

**1 Claim, 7 Drawing Sheets**



(56)

**References Cited**

U.S. PATENT DOCUMENTS

2011/0092347	A1 *	4/2011	Kassel .....	A63B 21/0552 482/121
2012/0045084	A1 *	2/2012	Groset .....	H04R 1/1033 381/384
2012/0076318	A1 *	3/2012	Aase .....	H04R 1/1033 381/74
2013/0336515	A1 *	12/2013	Centrilla, III .....	H04R 1/1033 381/384
2015/0110332	A1 *	4/2015	Case .....	H04R 1/1033 381/384

\* cited by examiner

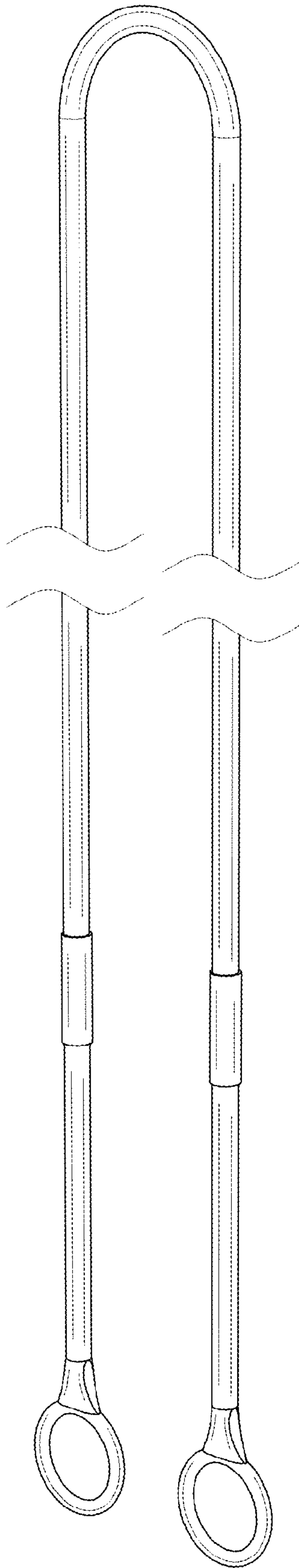


FIG. 1

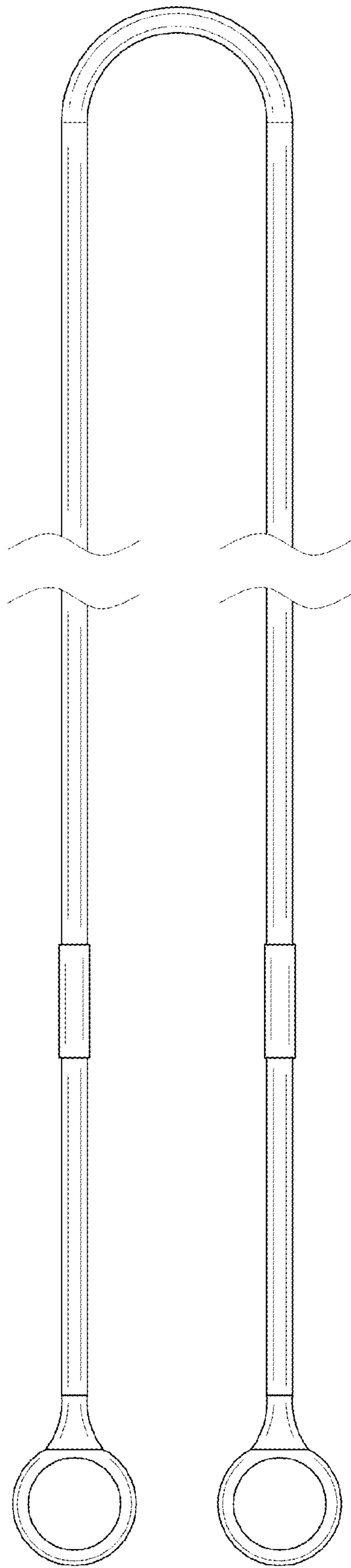


FIG. 2

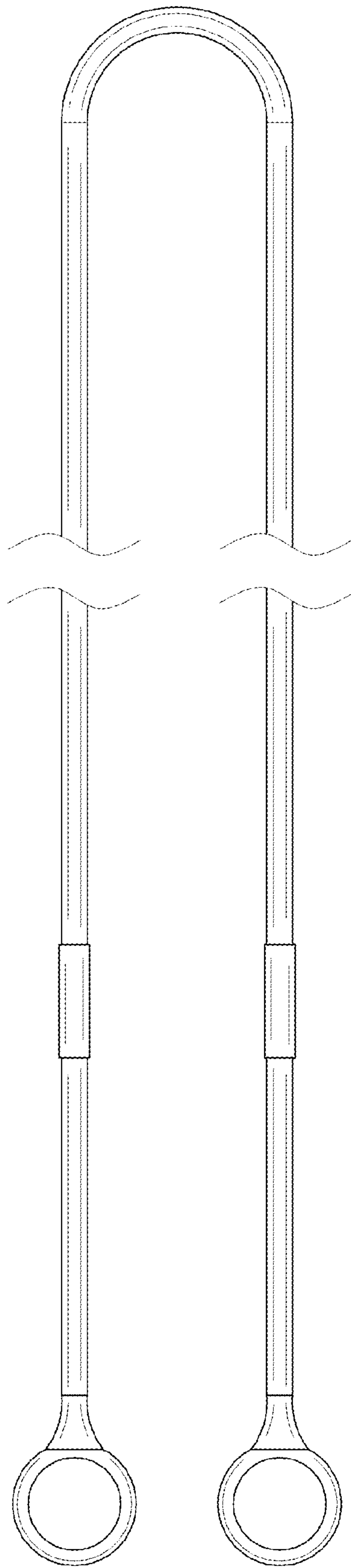


FIG. 3

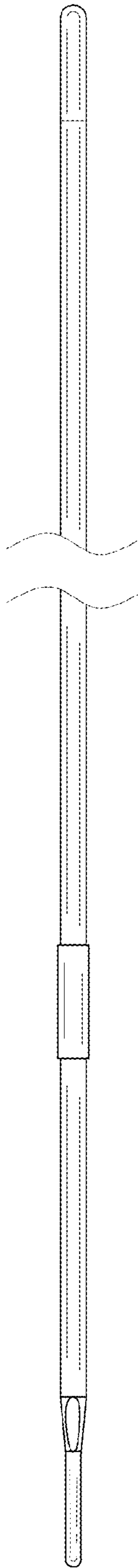


FIG. 4

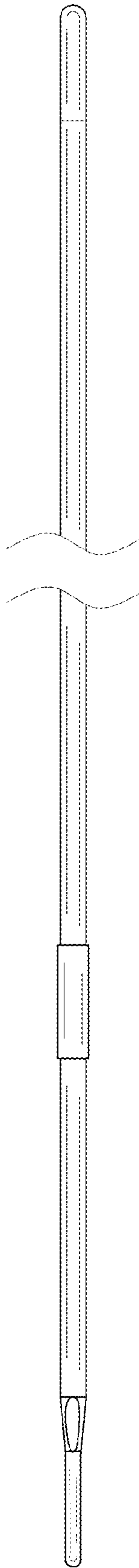


FIG. 5

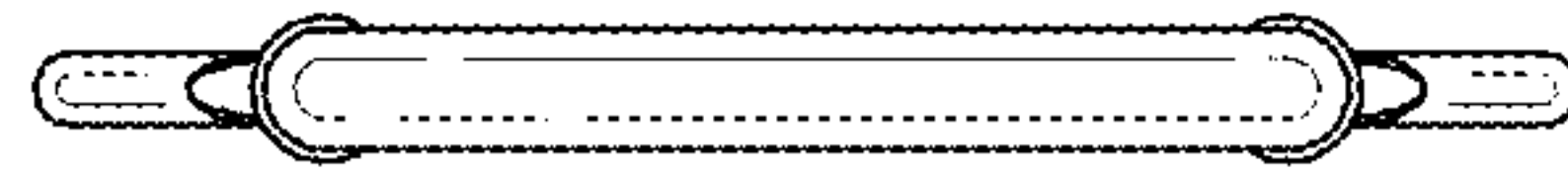


FIG. 6



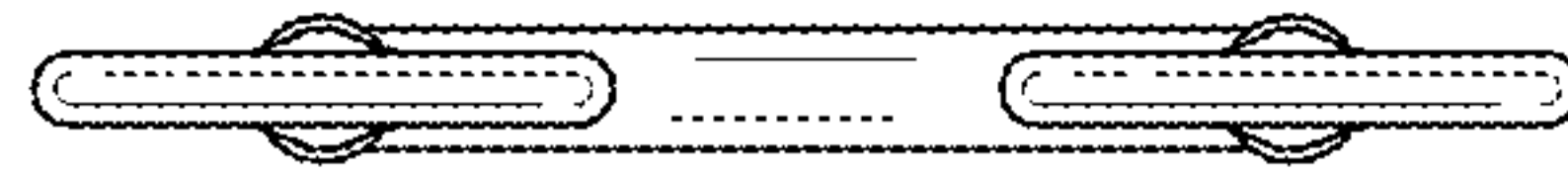


FIG. 7