

US00D969110S

(12) **United States Design Patent** (10) **Patent No.:** **US D969,110 S**  
**Wen** (45) **Date of Patent:** **\*\* Nov. 8, 2022**

(54) **EARPHONE**

(71) Applicant: **Shenzhen TIZE Technology Co., Ltd.**,  
Guangdong (CN)

(72) Inventor: **Jian Wen**, Guangdong (CN)

(73) Assignee: **Shenzhen TIZE Technology Co., Ltd.**,  
Guangdong (CN)

(\*\*) Term: **15 Years**

(21) Appl. No.: **29/796,657**

(22) Filed: **Jun. 25, 2021**

(30) **Foreign Application Priority Data**

Jun. 17, 2021 (CN) ..... 202130375588.X

(51) **LOC (13) Cl.** ..... **14-01**

(52) **U.S. Cl.**  
USPC ..... **D14/223**

(58) **Field of Classification Search**

USPC ..... D14/223, 205, 206; D24/174, 217, 218;  
128/864, 865, 866; 181/129, 130, 135;  
379/430, 431; 381/380, 381, 322-324,  
381/330; 455/90.3, 575, 1, 569.1;  
D9/415, 432, 721; D3/274, 294;  
D13/108

CPC ..... H04R 1/10; H04R 25/00; H04R 1/1016;  
H04R 1/1066; H04R 5/033; H04R  
5/0335; H04R 1/1091; H04R 1/1058;  
H04R 1/105; H04R 1/1083

See application file for complete search history.

(56) **References Cited**

**U.S. PATENT DOCUMENTS**

D847,794 S \* 5/2019 Guo ..... D14/223  
D883,260 S \* 5/2020 Hu ..... D14/223

D887,396 S \* 6/2020 Wang ..... D14/223  
D895,582 S \* 9/2020 Wu ..... D14/223  
D896,207 S \* 9/2020 He ..... D14/223  
D905,018 S \* 12/2020 Zhu ..... D14/223  
D905,019 S \* 12/2020 Liu ..... D14/223  
D907,008 S \* 1/2021 Yao ..... D14/223  
D914,646 S \* 3/2021 Yang ..... D14/223  
D937,246 S \* 11/2021 Li ..... D14/223  
D940,690 S \* 1/2022 Zhang ..... D14/223  
D950,525 S \* 5/2022 Chen ..... D14/223  
D957,366 S \* 7/2022 Hachiri ..... D14/223

\* cited by examiner

*Primary Examiner* — Katie Jane Stofko

(74) *Attorney, Agent, or Firm* — ScienBiziP, P.C.

(57) **CLAIM**

The ornamental design for an earphone, as shown and described.

**DESCRIPTION**

FIG. 1 is a front, left side and top perspective view of an earphone, showing my new design;

FIG. 2 is a rear, right side and bottom perspective view thereof;

FIG. 3 is a front elevation view thereof;

FIG. 4 is a rear elevation view thereof;

FIG. 5 is a left side elevation view thereof;

FIG. 6 is a right side elevation view thereof;

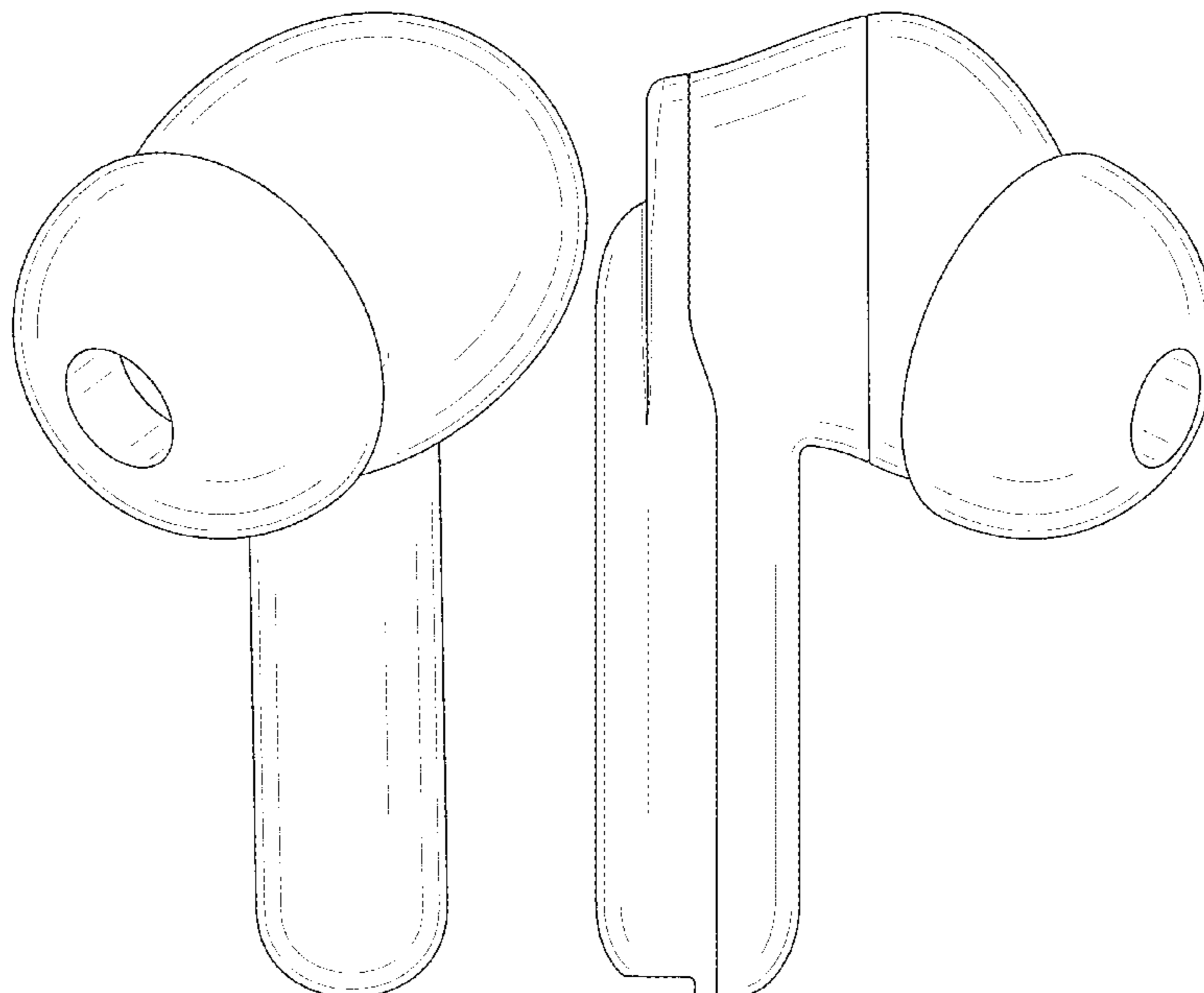
FIG. 7 is a top plan view thereof;

FIG. 8 is a bottom plan view thereof; and,

FIG. 9 is another front, left side and top perspective view thereof, shown in an environment of use.

The broken lines shown in FIGS. 2, 4, 6-8 illustrate portions of the earphone that form no part of the claimed design. The broken lines showing the charging case in FIG. 9 illustrate environment that form no part of the claimed design.

**1 Claim, 9 Drawing Sheets**



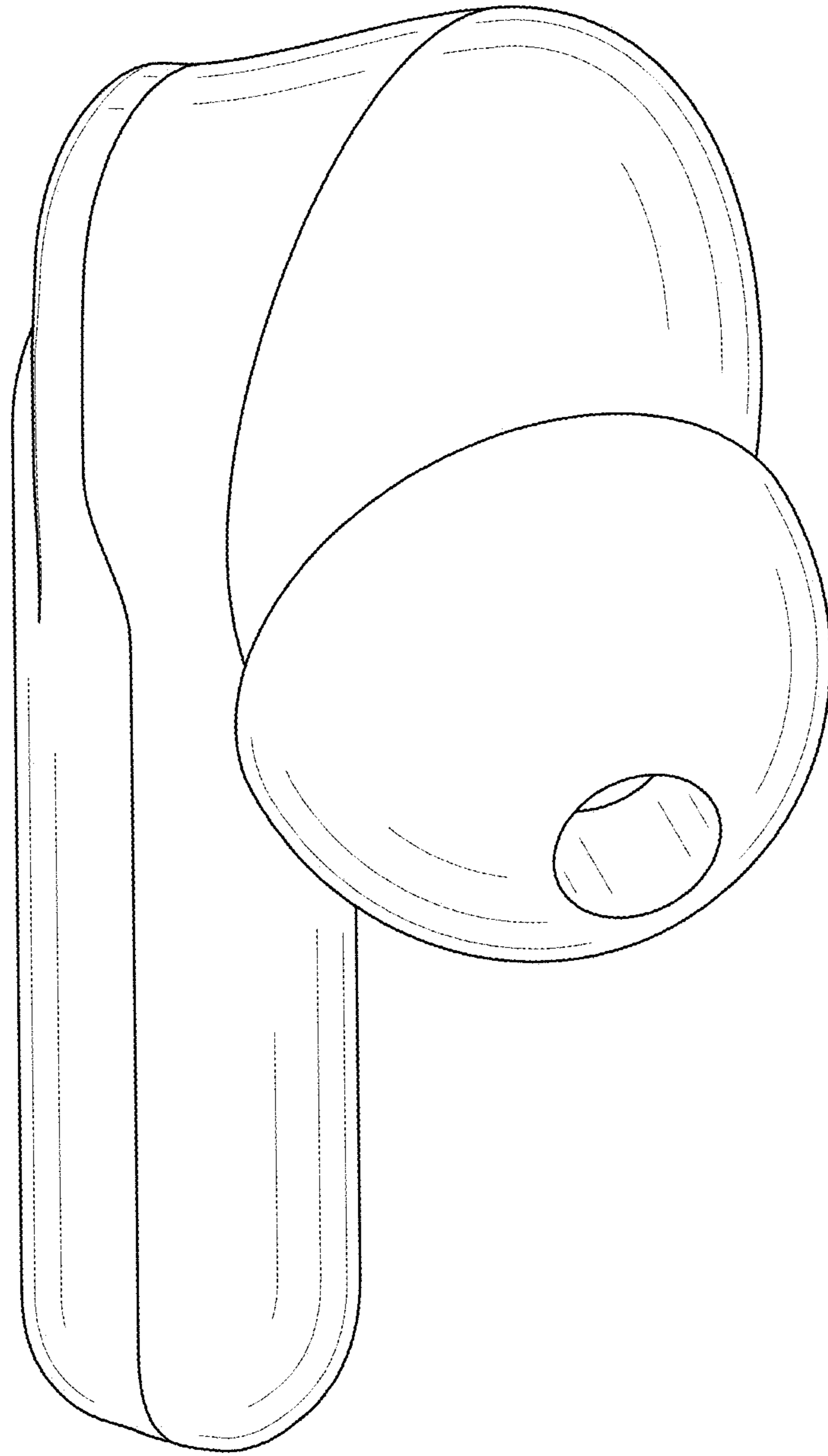


FIG. 1

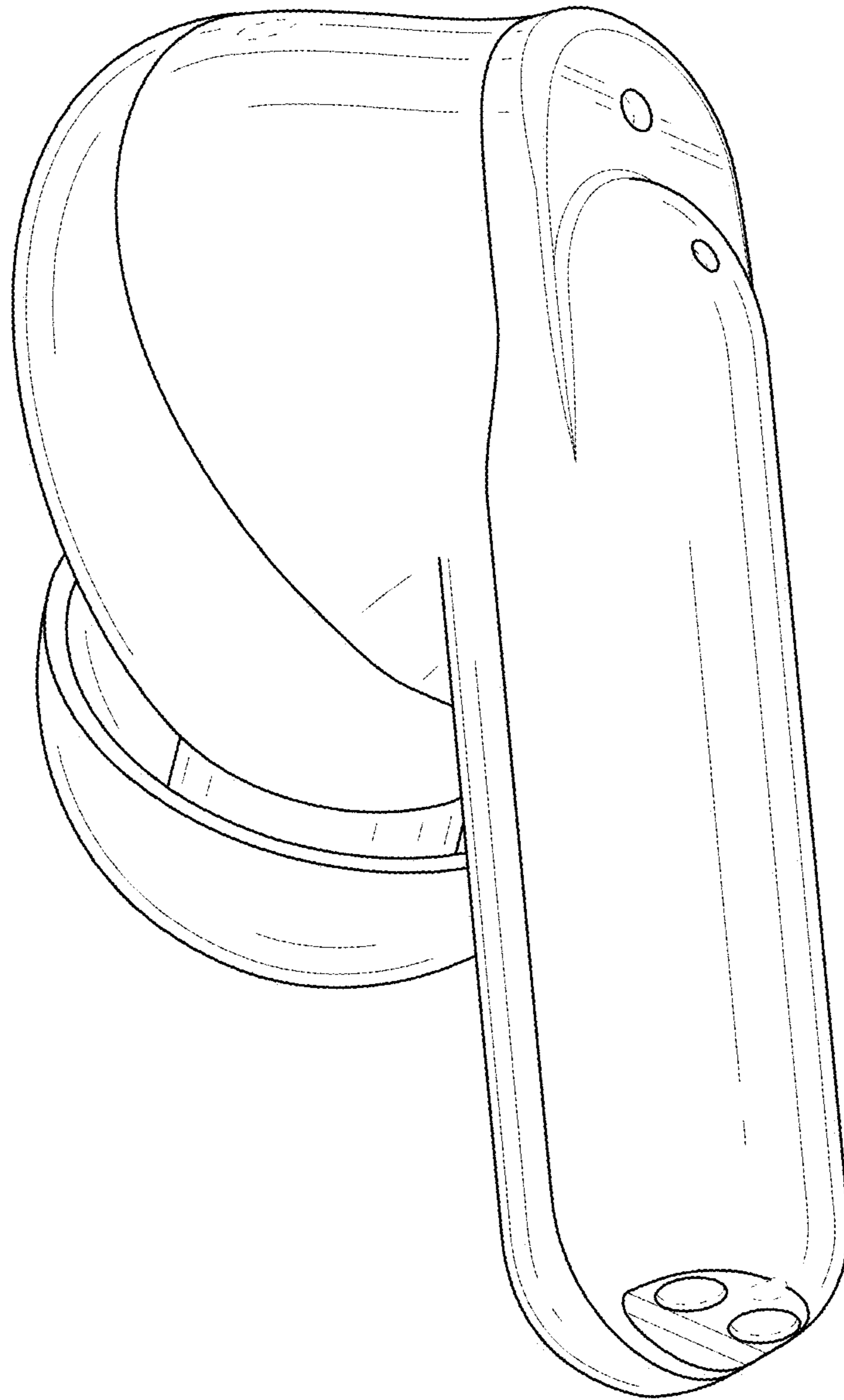


FIG. 2

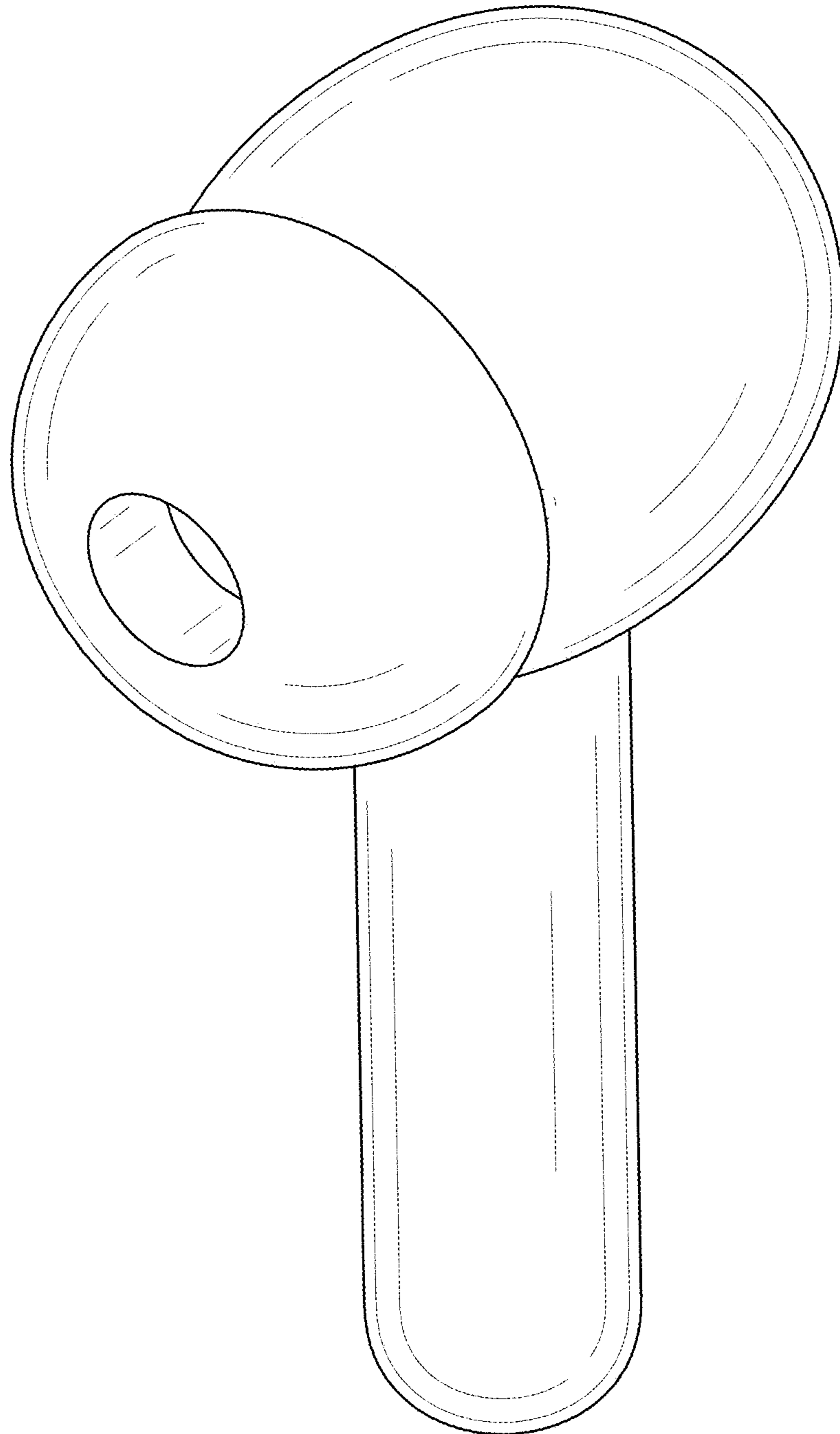


FIG. 3

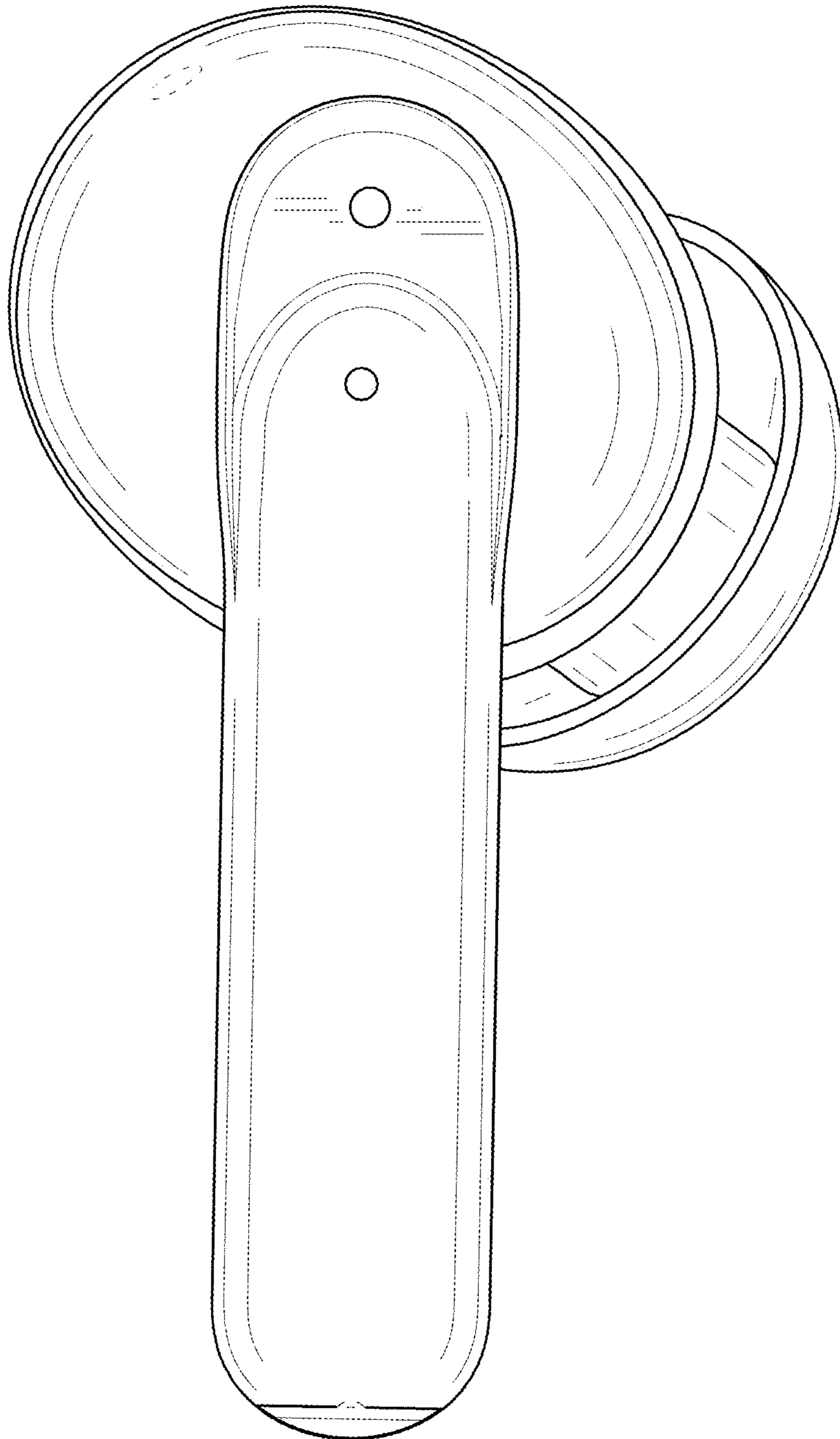


FIG. 4

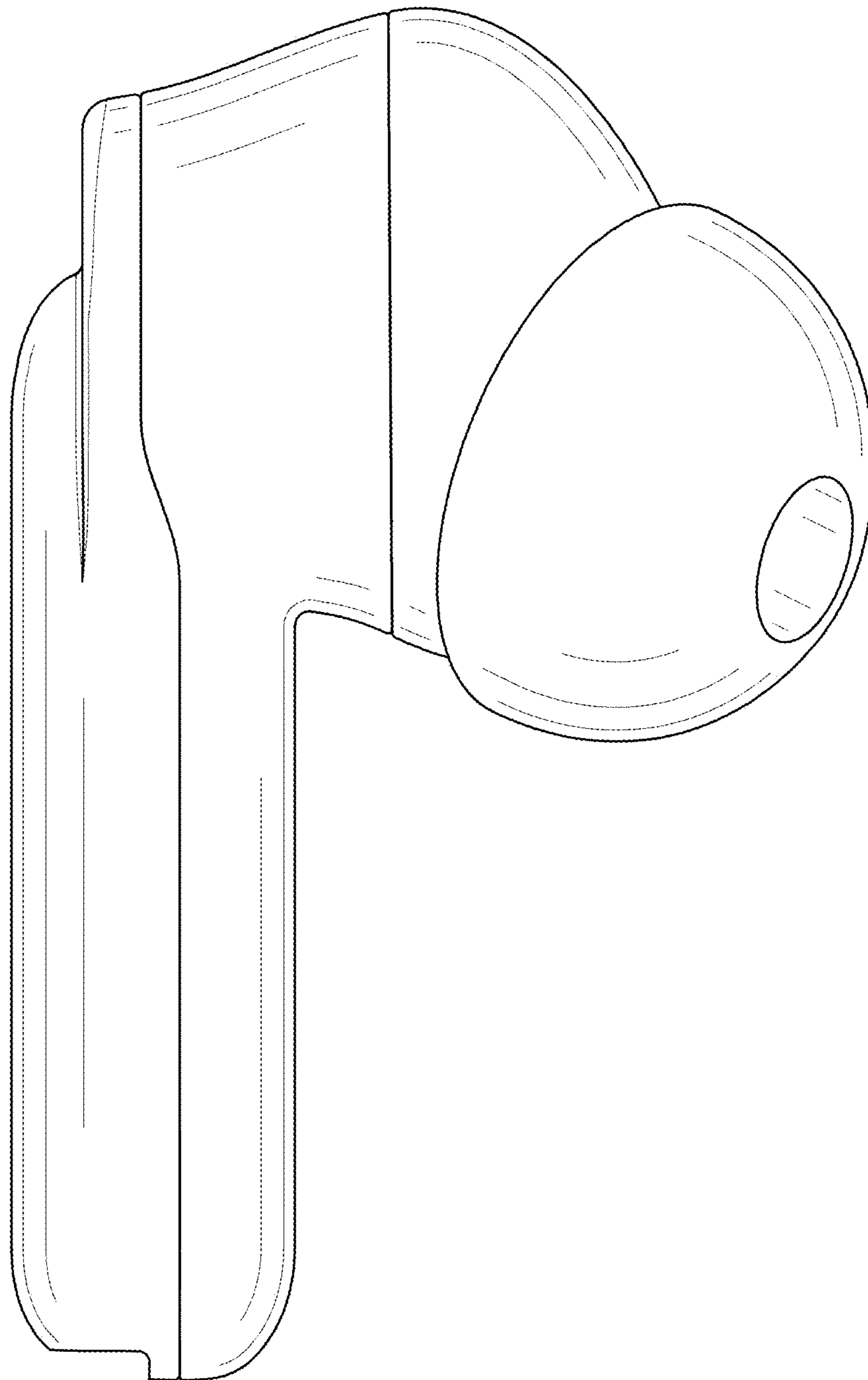


FIG. 5



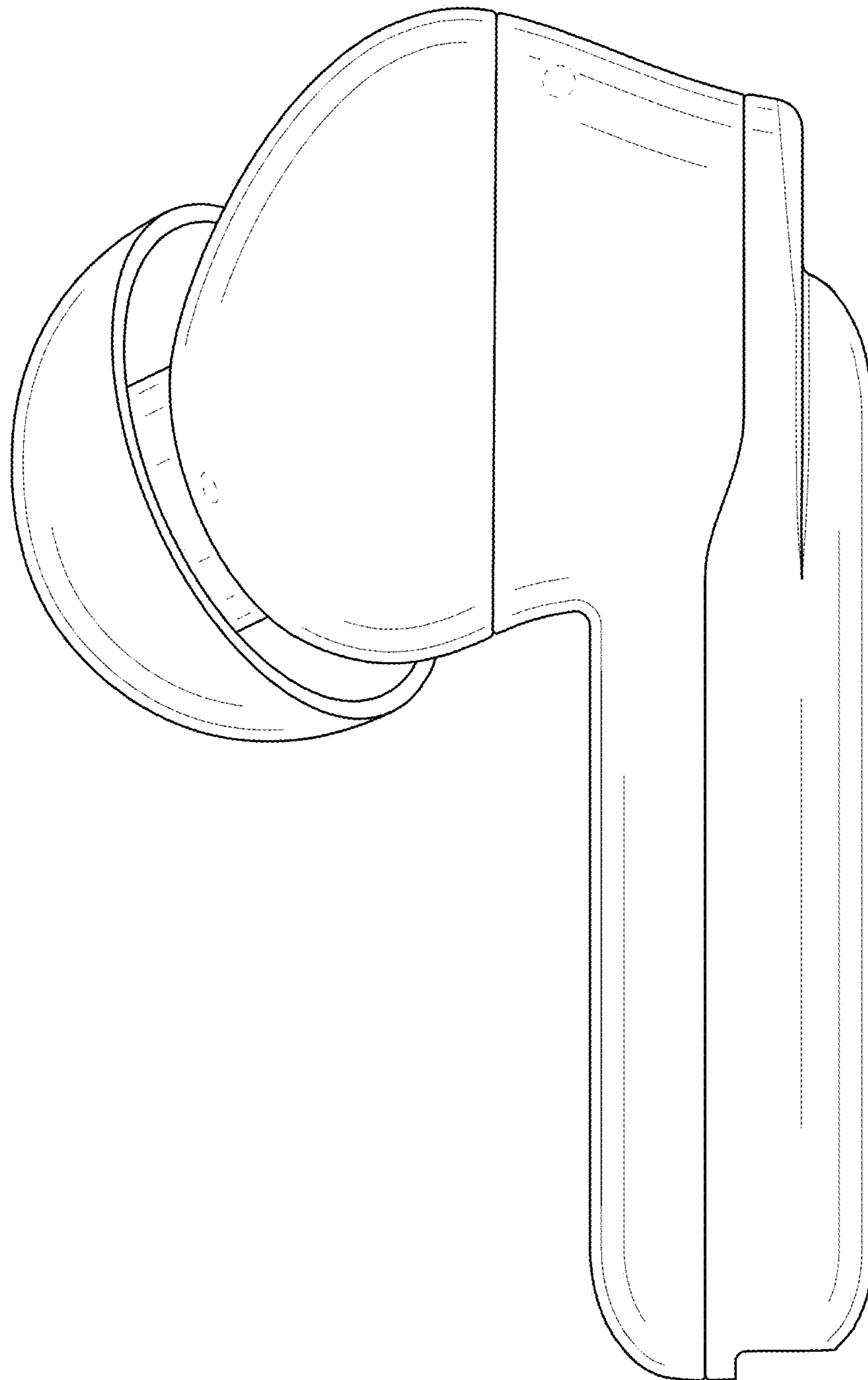


FIG. 6

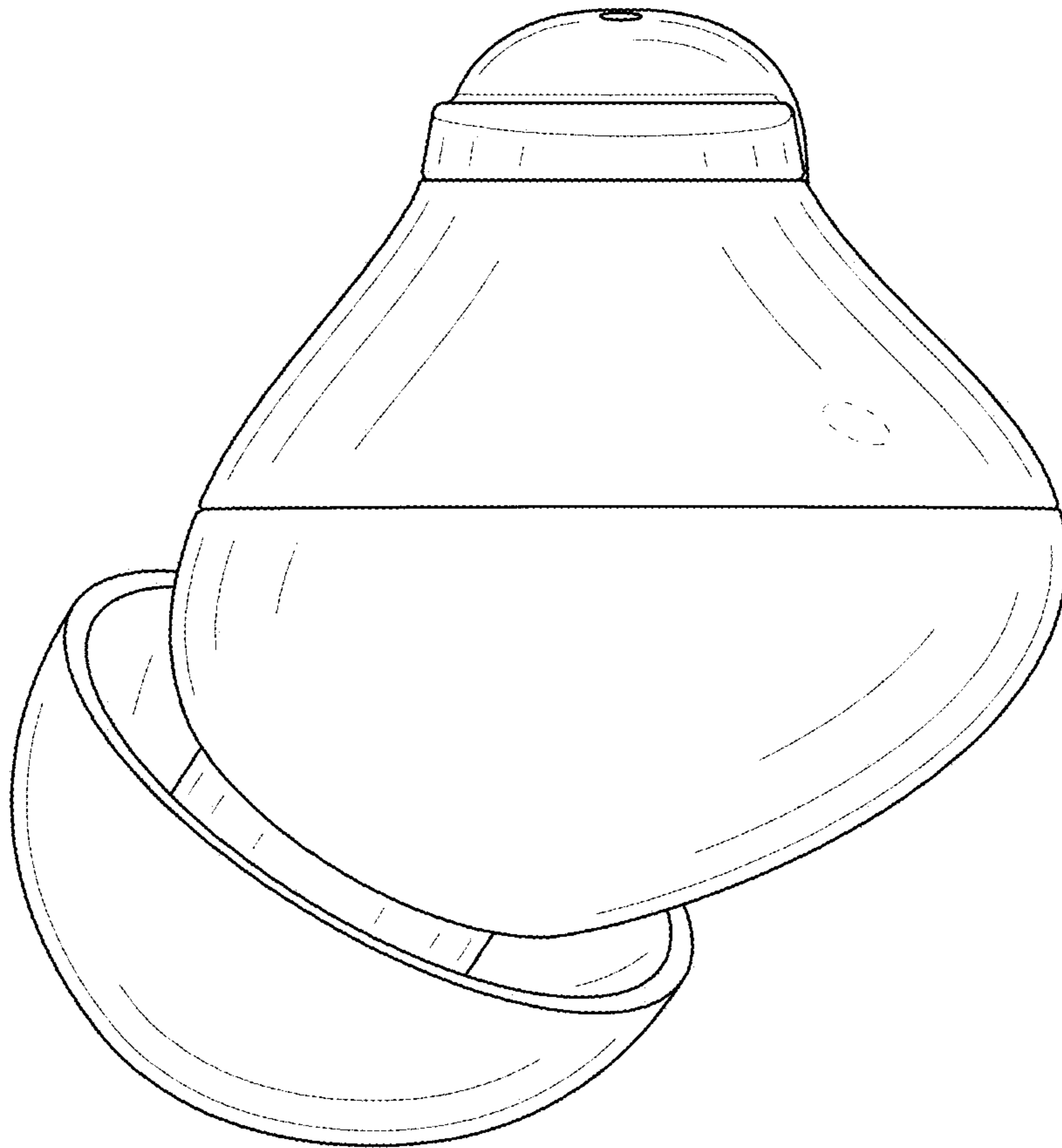


FIG. 7



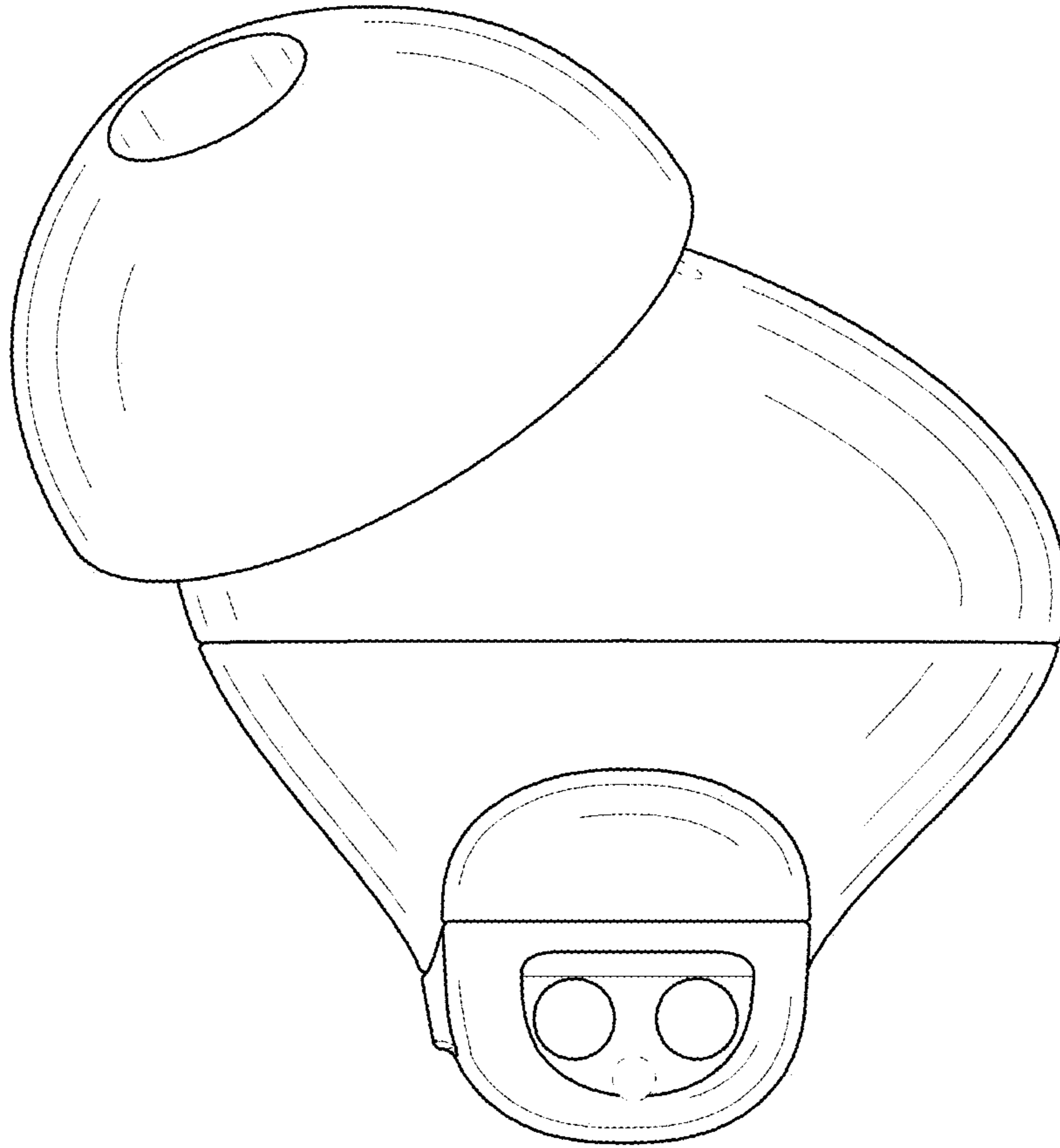


FIG. 8

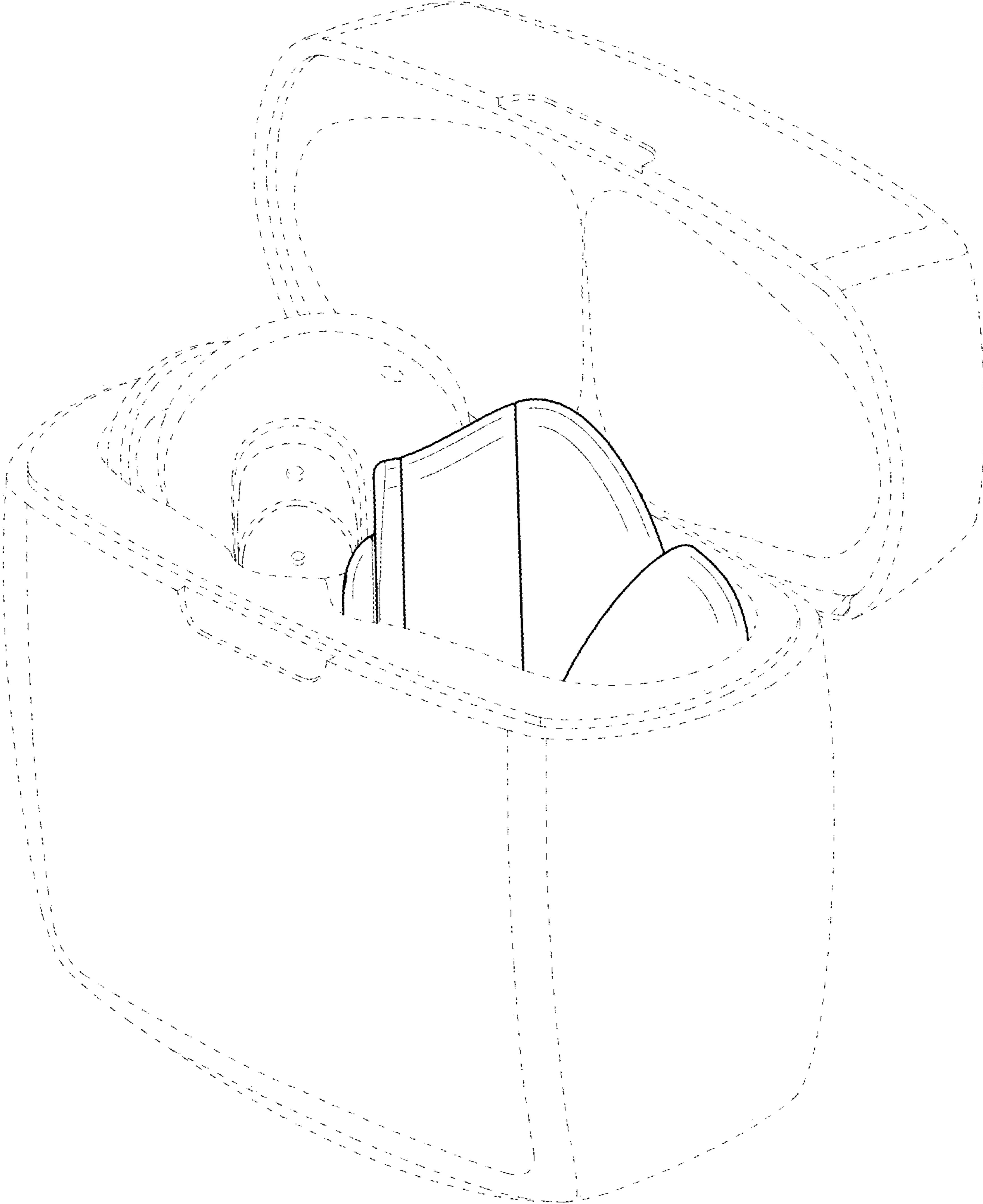


FIG. 9