



US00D969108S

(12) **United States Design Patent** (10) **Patent No.:** **US D969,108 S**
Zou (45) **Date of Patent:** **** Nov. 8, 2022**

(54) **REMOTE CONTROL FOR TELEVISION**
(71) Applicant: **Ningfang Zou**, Guangdong Province (CN)
(72) Inventor: **Ningfang Zou**, Guangdong Province (CN)
(**) Term: **15 Years**
(21) Appl. No.: **29/846,694**
(22) Filed: **Jul. 19, 2022**
(51) **LOC (13) Cl.** **14-03**
(52) **U.S. Cl.**
USPC **D14/218**
(58) **Field of Classification Search**
USPC D14/218, 217; D13/168
CPC H04N 21/42222
See application file for complete search history.

D924,180 S * 7/2021 Christopher D13/168
D925,473 S * 7/2021 Dolezel D13/168
D931,836 S * 9/2021 Pinto Couto D14/218
D934,838 S * 11/2021 Warrick D14/218
D937,813 S * 12/2021 Lee D14/218
D937,814 S * 12/2021 Lee D14/218
11,271,413 B2 * 3/2022 Nguyen A61L 2/26
D953,297 S * 5/2022 Kiyotani D14/218
D953,298 S * 5/2022 Zheng D14/218
D953,299 S * 5/2022 Morimoto D14/218
11,375,263 B2 * 6/2022 Shohara H04N 21/42204
D958,760 S * 7/2022 Baek D13/168
D962,897 * 9/2022 Wei D14/218

* cited by examiner

Primary Examiner — Cynthia R Underwood

(57) **CLAIM**

The ornamental design for a remote control for television, as shown and described.

DESCRIPTION

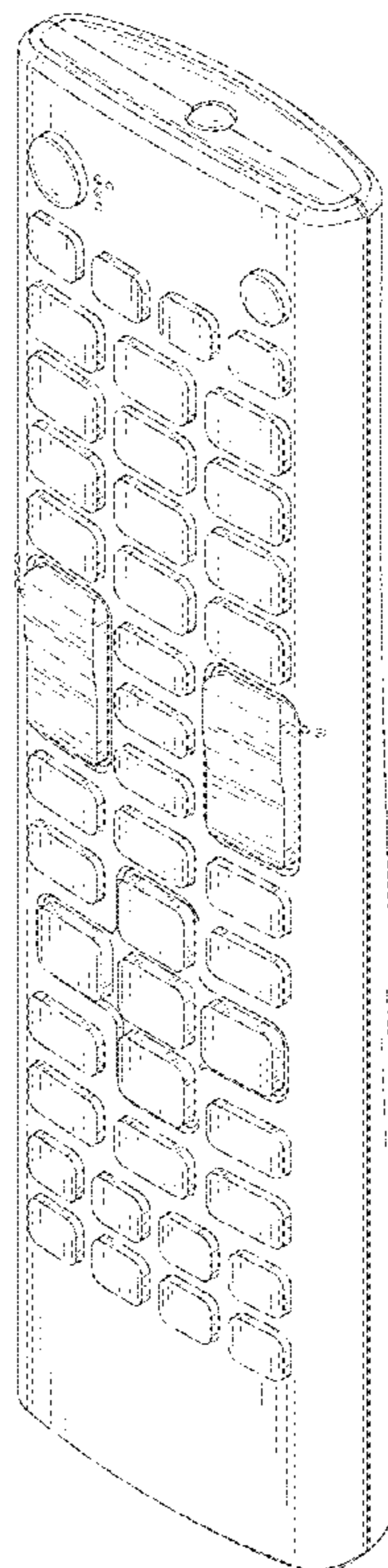
FIG. 1 is a front and top perspective view of a remote control for television, showing my new design;
FIG. 2 is a rear and bottom perspective view thereof;
FIG. 3 is a front elevation view thereof;
FIG. 4 is a rear elevation view thereof;
FIG. 5 is a left side elevation view thereof;
FIG. 6 is a right side elevation view thereof;
FIG. 7 is a top plan view thereof; and,
FIG. 8 is a bottom plan view thereof.

1 Claim, 8 Drawing Sheets

(56) **References Cited**

U.S. PATENT DOCUMENTS

D664,945 S * 8/2012 Morris D14/218
D689,468 S * 9/2013 Lim D14/218
D712,380 S * 9/2014 Hwang D14/218
D723,009 S * 2/2015 Chang
D740,793 S * 10/2015 Jobetto D14/225
D809,485 S * 2/2018 McManigal D14/218
D856,307 S * 8/2019 Maeda D14/218
D856,308 S * 8/2019 Pang D14/218
D857,665 S * 8/2019 Young D14/218
D898,706 S * 10/2020 Jiang D14/218
D901,445 S * 11/2020 Huang D14/218



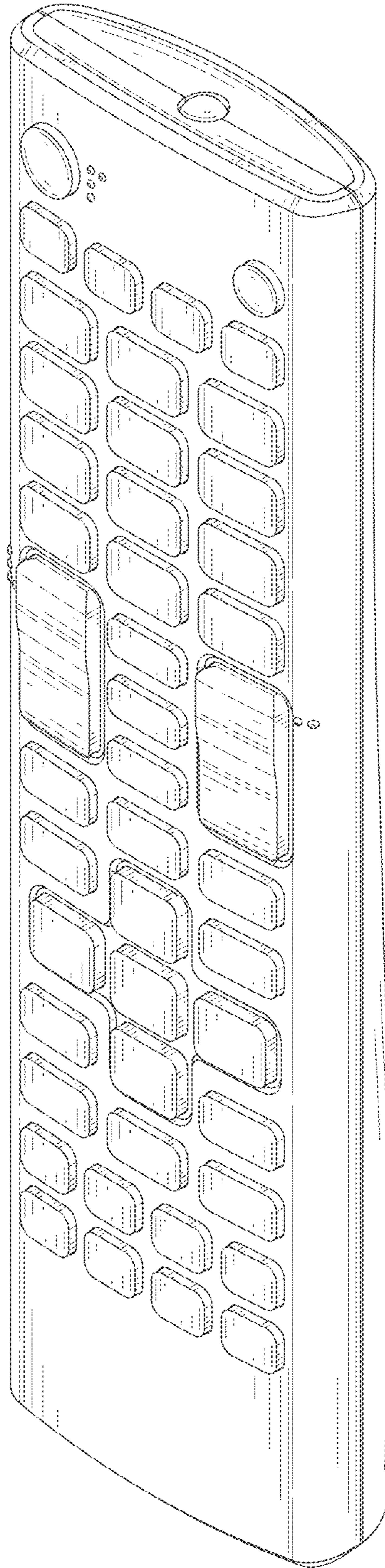


FIG. 1

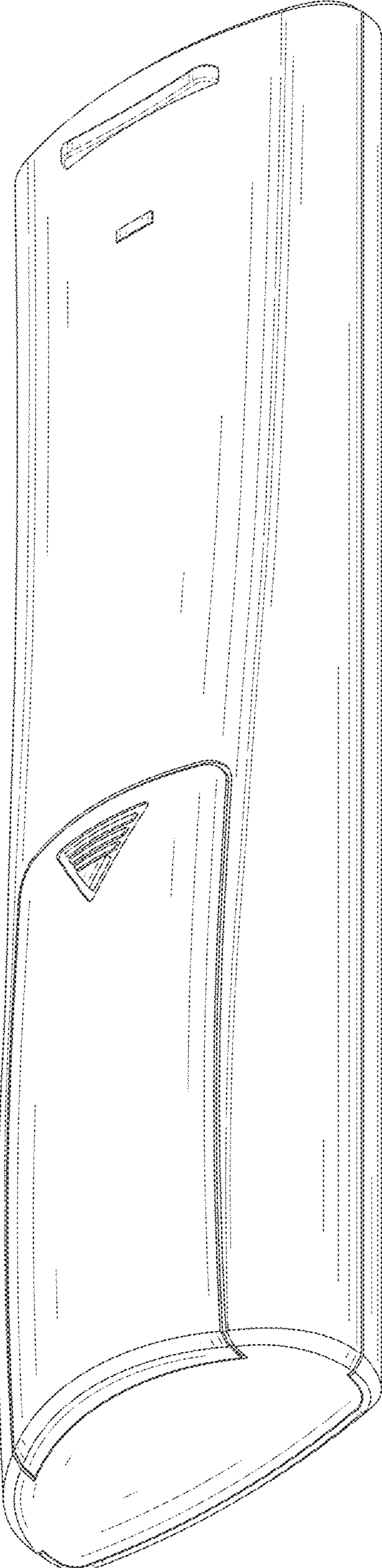


FIG. 2

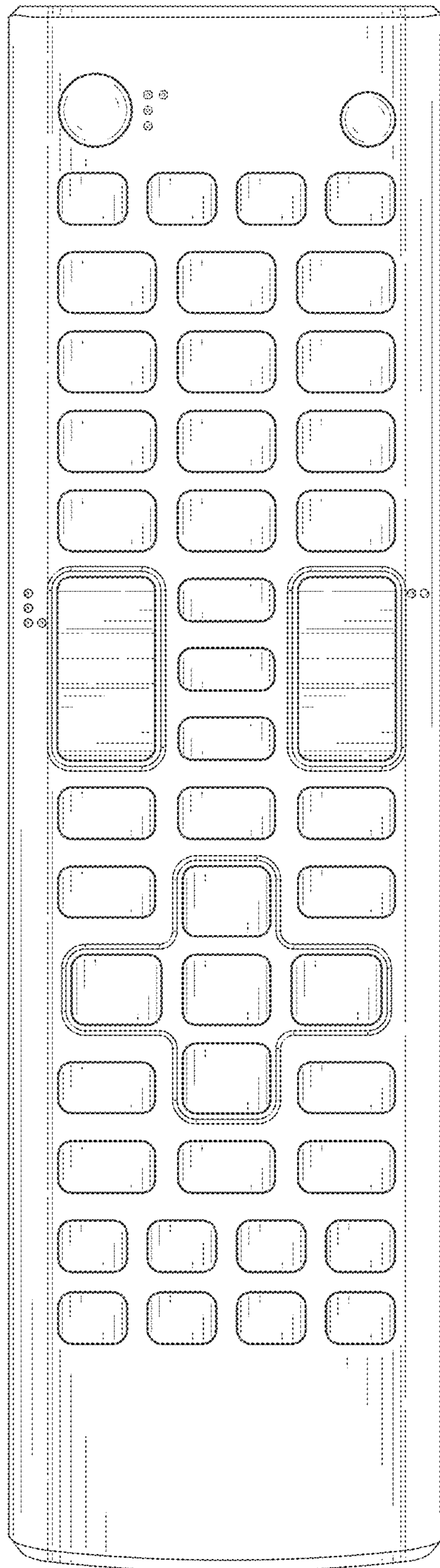


FIG. 3

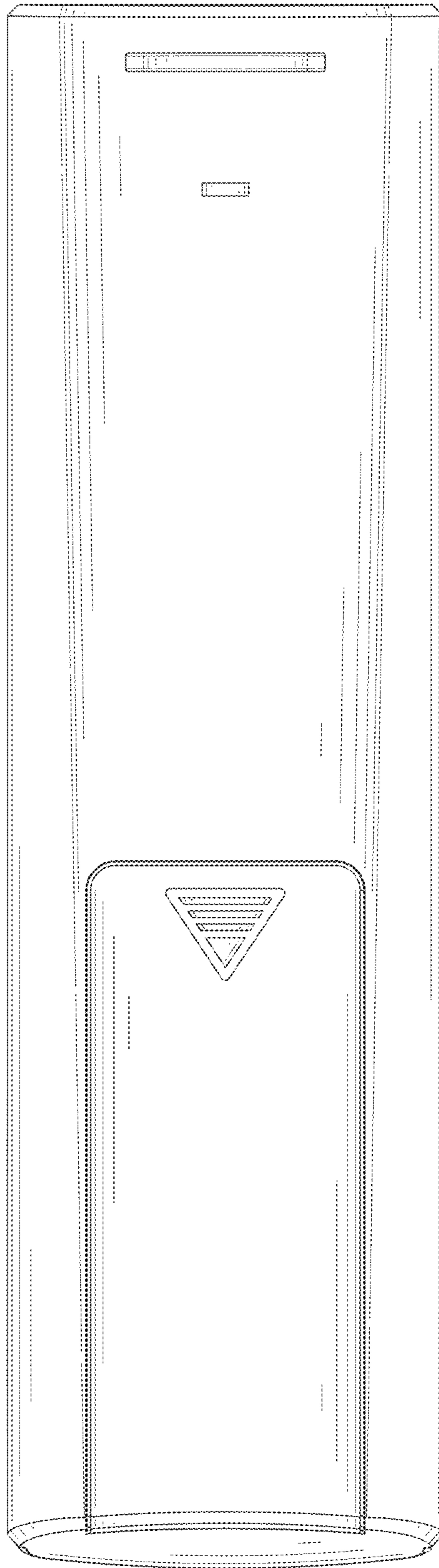


FIG. 4

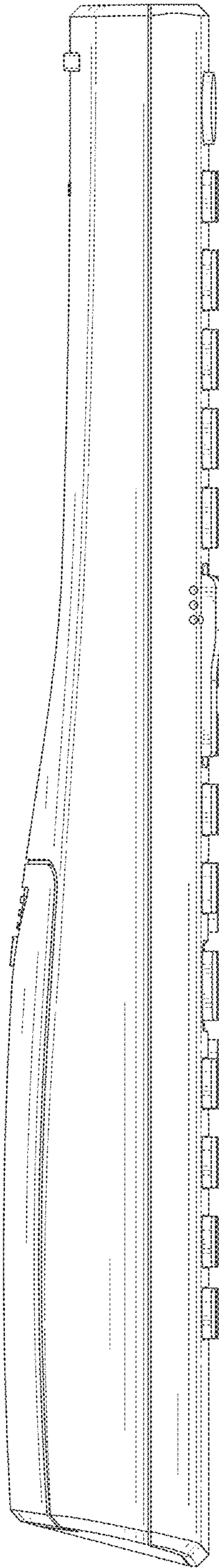


FIG. 5

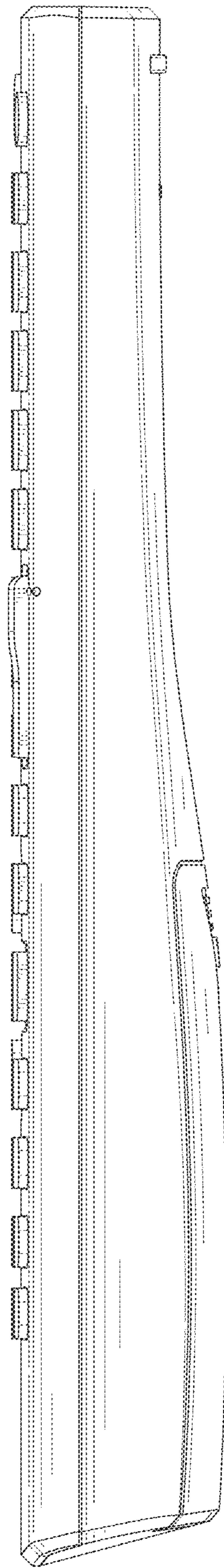


FIG. 6

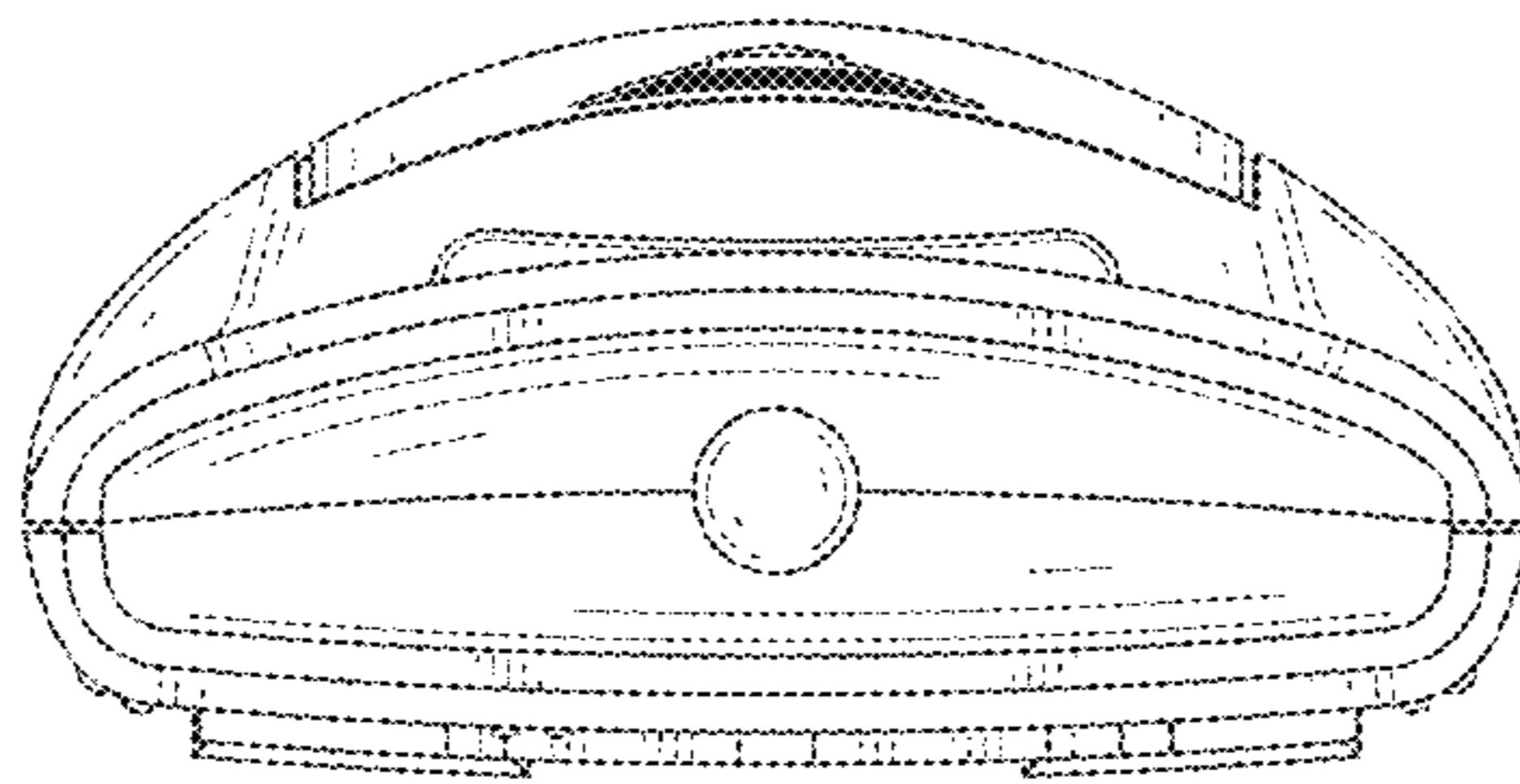


FIG. 7

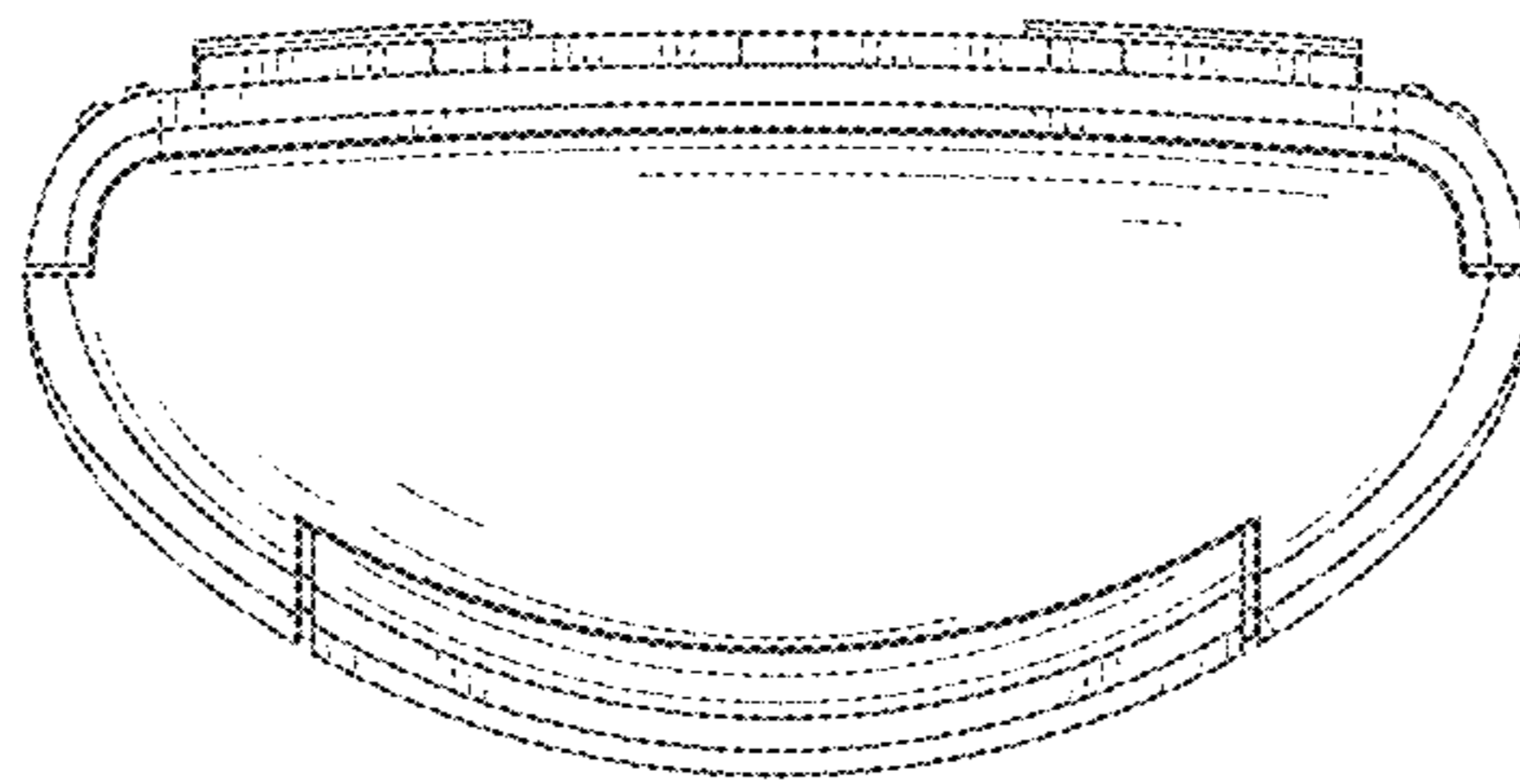


FIG. 8