



US00D969107S

(12) **United States Design Patent** (10) **Patent No.:** **US D969,107 S**
Lin (45) **Date of Patent:** **** Nov. 8, 2022**

(54) **REMOTE CONTROL FOR TELEVISION**

(71) Applicant: **Yuxian Lin**, Taoyuan (TW)

(72) Inventor: **Yuxian Lin**, Taoyuan (TW)

(**) Term: **15 Years**

(21) Appl. No.: **29/846,693**

(22) Filed: **Jul. 19, 2022**

(51) **LOC (13) Cl.** **14-03**

(52) **U.S. Cl.**
USPC **D14/218**

(58) **Field of Classification Search**
USPC D14/218, 217; D13/168
CPC H04N 21/4222
See application file for complete search history.

(56) **References Cited**

U.S. PATENT DOCUMENTS

D664,945 S *	8/2012	Morris	D14/218
D689,468 S *	9/2013	Lim	D14/218
D723,009 S	2/2015	Chang		
D740,793 S *	10/2015	Jobetto	D14/225
D809,485 S *	2/2018	McManigal	D14/218
D856,307 S *	8/2019	Maeda	D14/218
D856,308 S *	8/2019	Pang	D14/218
D857,665 S *	8/2019	Young	D14/218
D898,706 S *	10/2020	Jiang	D14/218
D901,445 S *	11/2020	Huang	D14/218
D924,180 S *	7/2021	Christopher	D13/168
D925,473 S *	7/2021	Dolezel	D13/168
D931,836 S *	9/2021	Pinto Couto	D14/218
D934,838 S *	11/2021	Warrick	D14/218
D937,813 S *	12/2021	Lee	D14/218
D937,814 S *	12/2021	Lee	D14/218

11,271,413 B2 *	3/2022	Nguyen	A61L 2/26
D953,298 S *	5/2022	Zheng	D14/218
D953,299 S *	5/2022	Morimoto	D14/218
11,375,263 B2 *	6/2022	Shohara	H04N 21/42204
D958,760 S *	7/2022	Baek	D13/168

* cited by examiner

Primary Examiner — Cynthia R Underwood

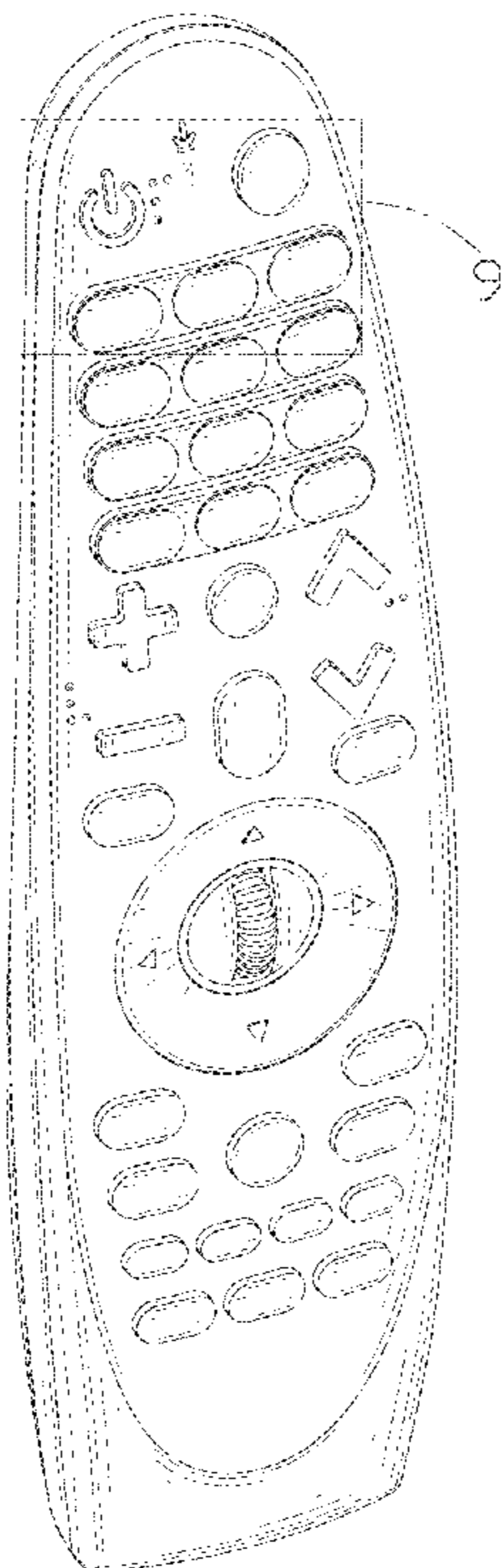
(57) **CLAIM**

The ornamental design for a remote control for television, as shown and described.

DESCRIPTION

FIG. 1 is a front and top perspective view of a remote control, for television, showing my new design;
 FIG. 2 is a rear and bottom perspective view thereof;
 FIG. 3 is a front elevation view thereof;
 FIG. 4 is a rear elevation view thereof
 FIG. 5 is a left side elevation view thereof;
 FIG. 6 is a right side elevation view thereof;
 FIG. 7 is a top plan view thereof;
 FIG. 8 is a bottom plan view thereof;
 FIG. 9 is an enlarged view of a portion indicated with numeric 9 in FIG. 1; and,
 FIG. 10 is an enlarged view of a portion indicated with numeric 10 in FIG. 2.
 The dashed lines in the figures illustrate portions of the remote control for television that form no part of the claimed design. The dash dot dash lines in FIGS. 1, 2, 9 and 10 are for the purpose of depicting the boundary lines of the enlarged views and form no part of the claimed design.

1 Claim, 10 Drawing Sheets



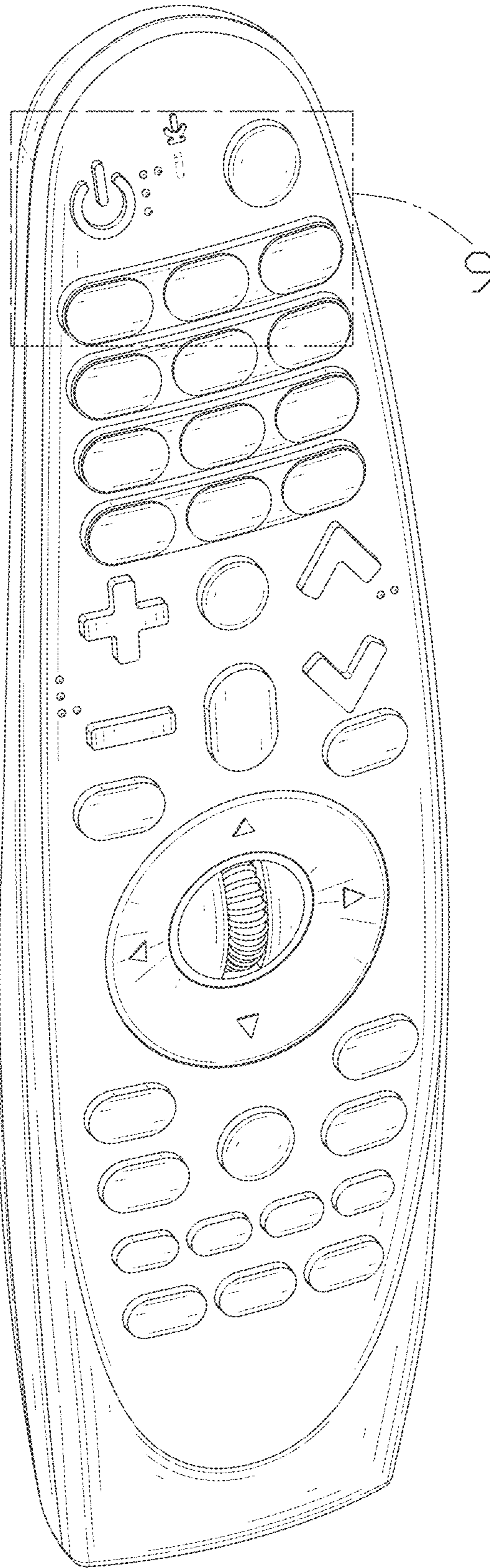


FIG. 1

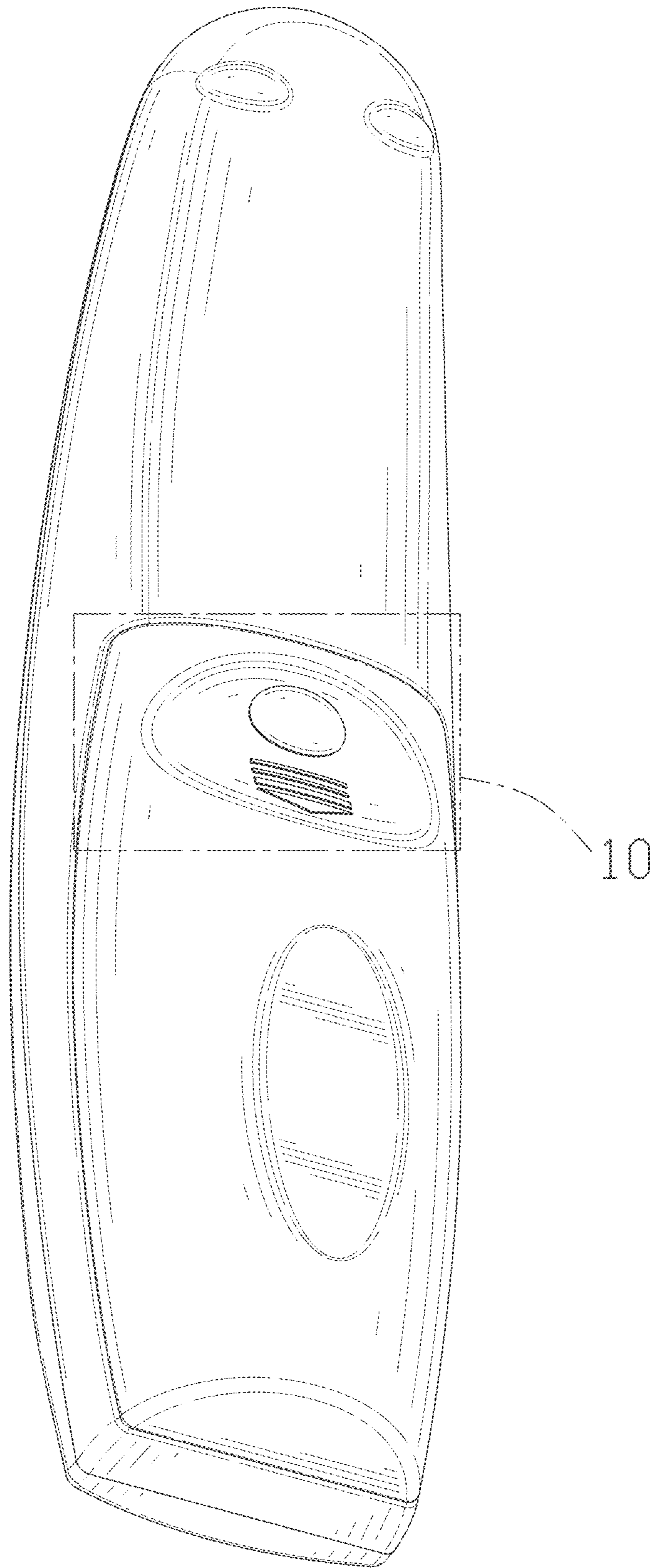


FIG. 2

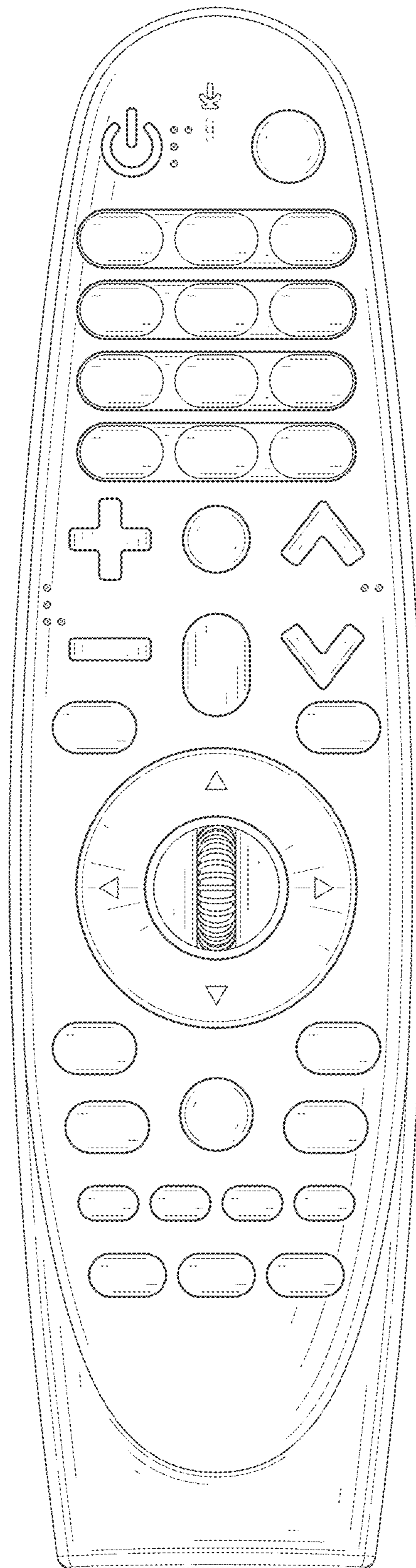


FIG. 3

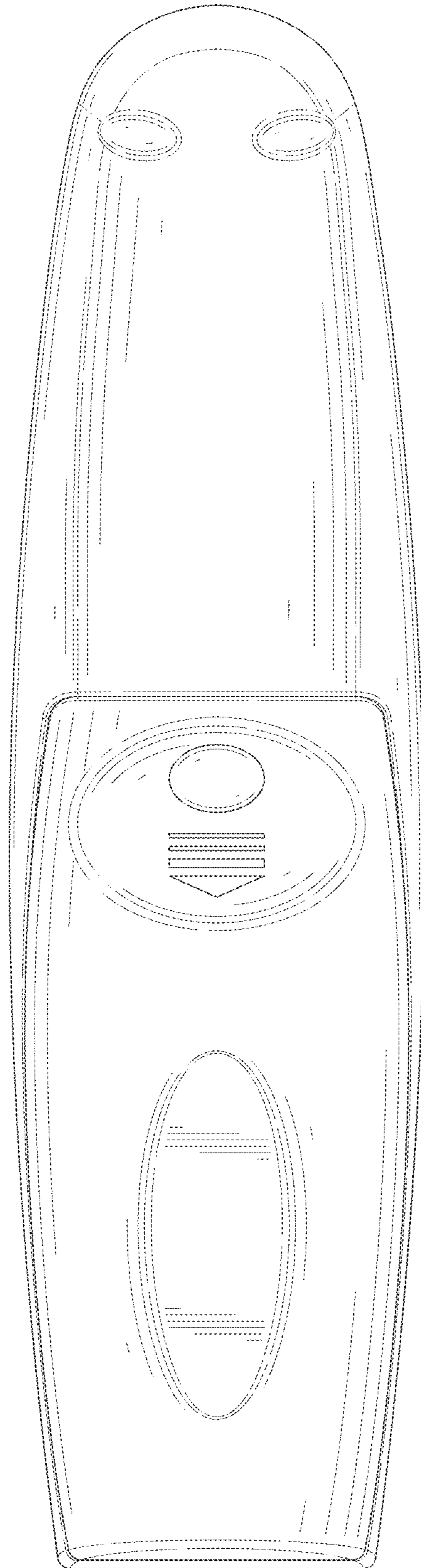


FIG. 4

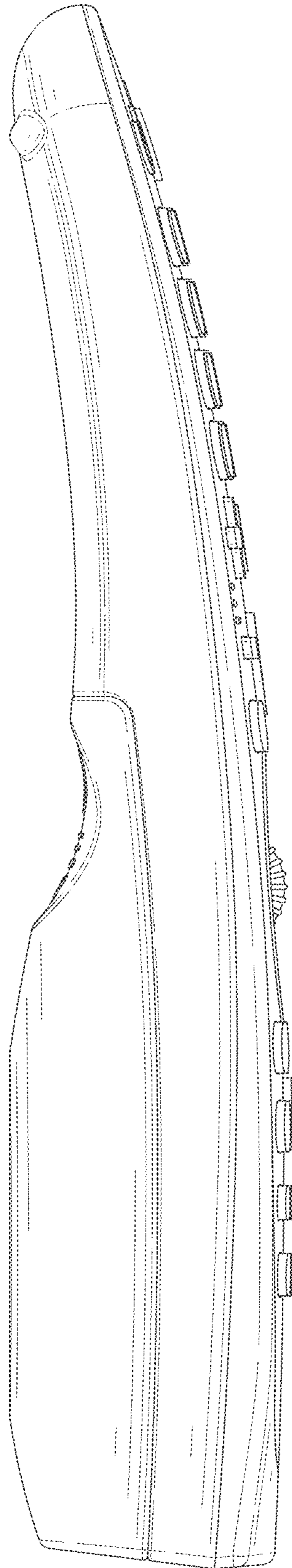


FIG. 5

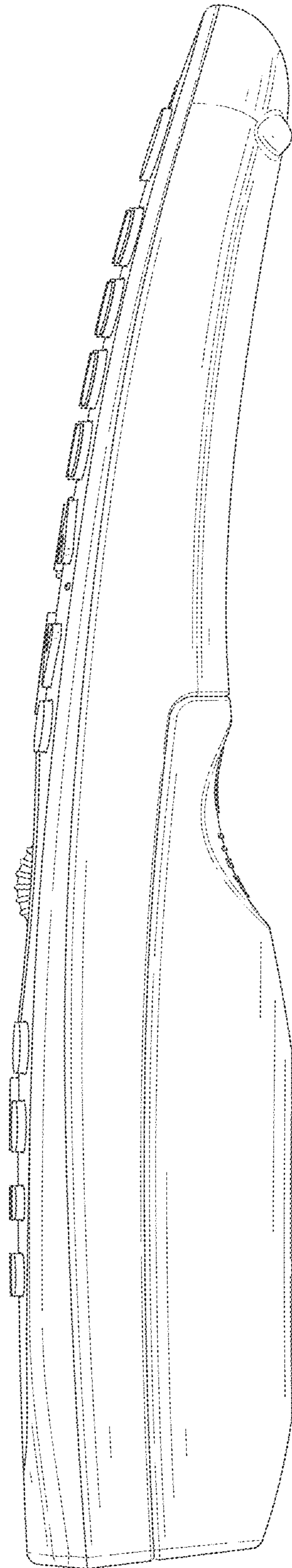


FIG. 6

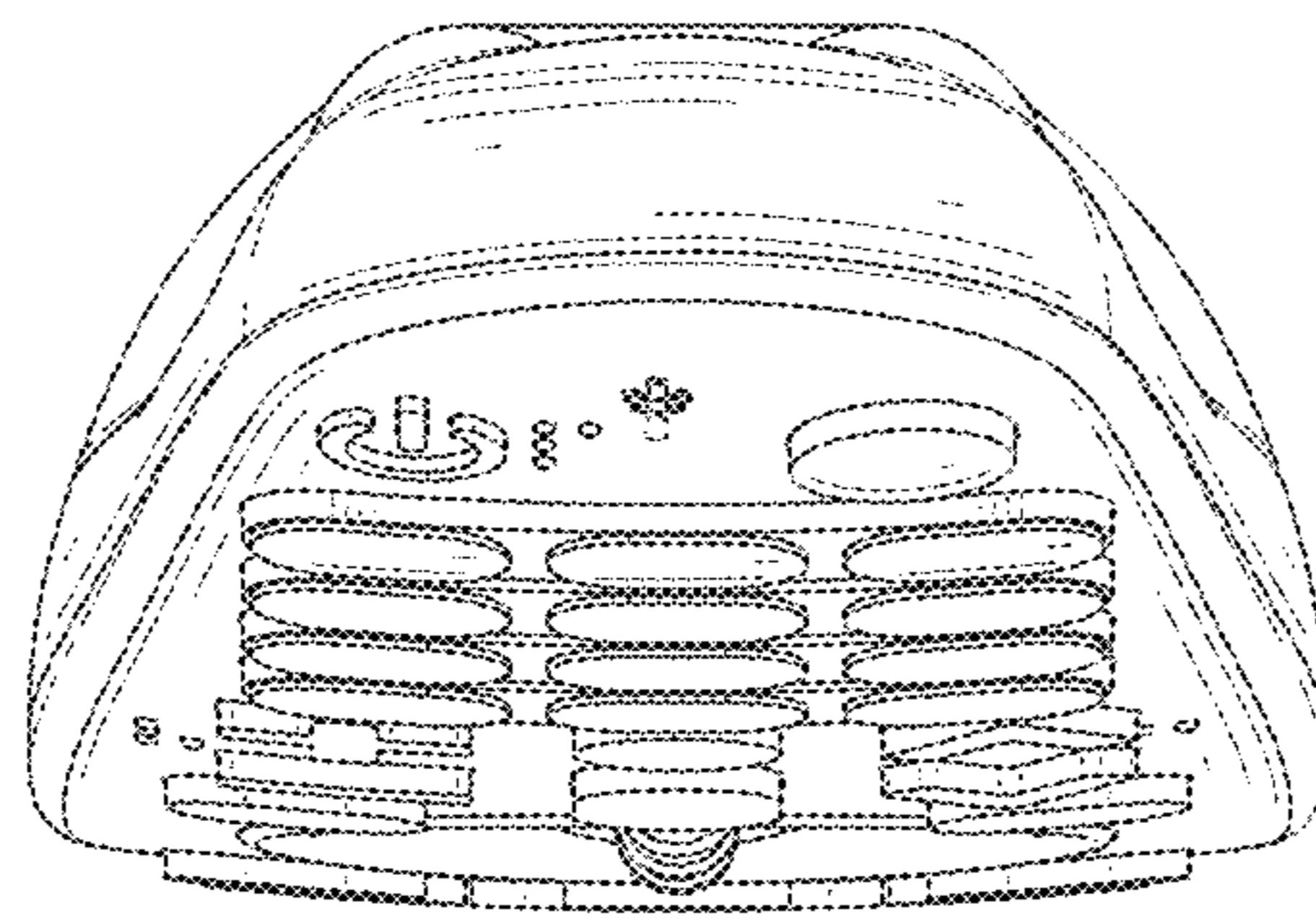


FIG. 7

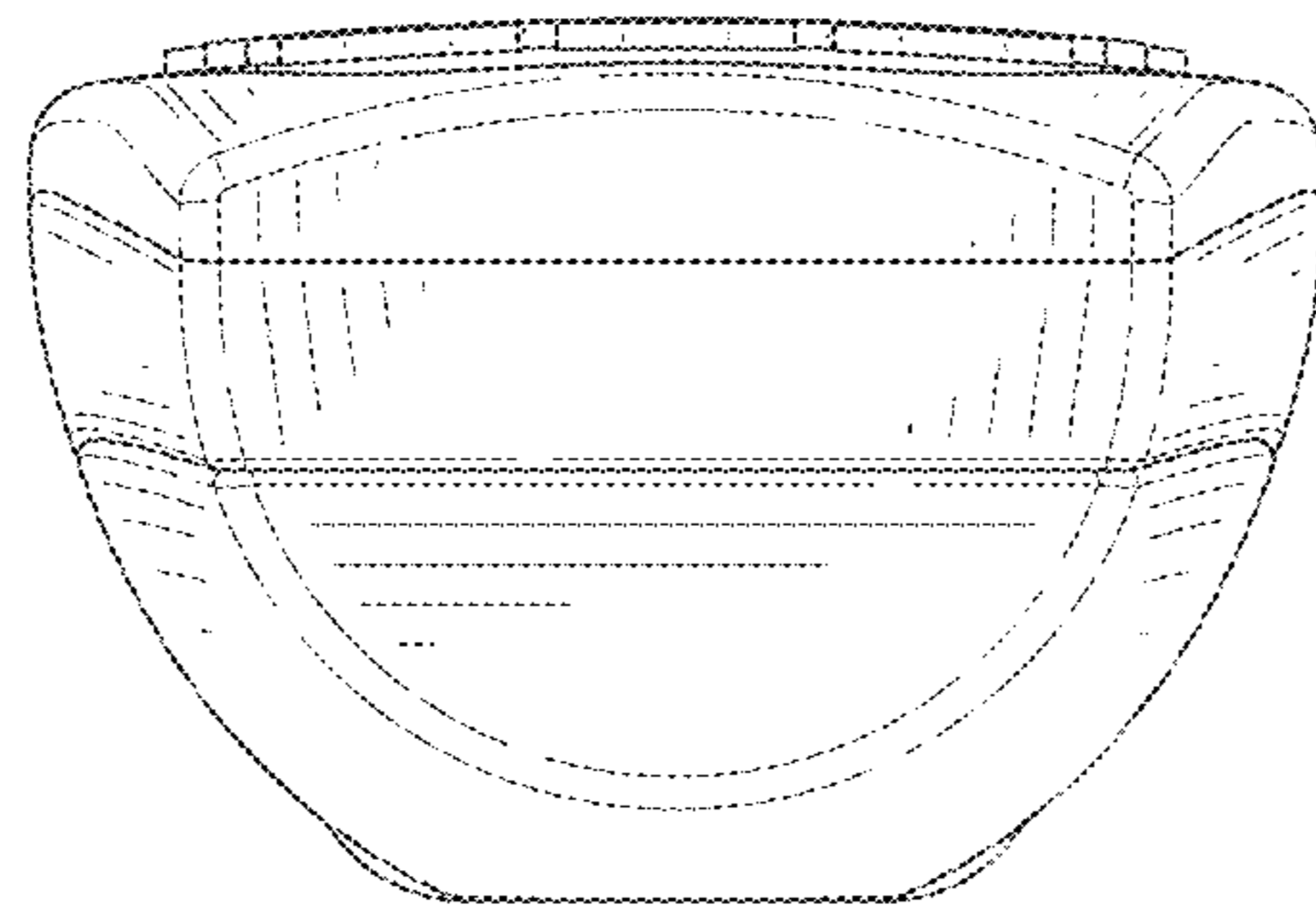


FIG. 8

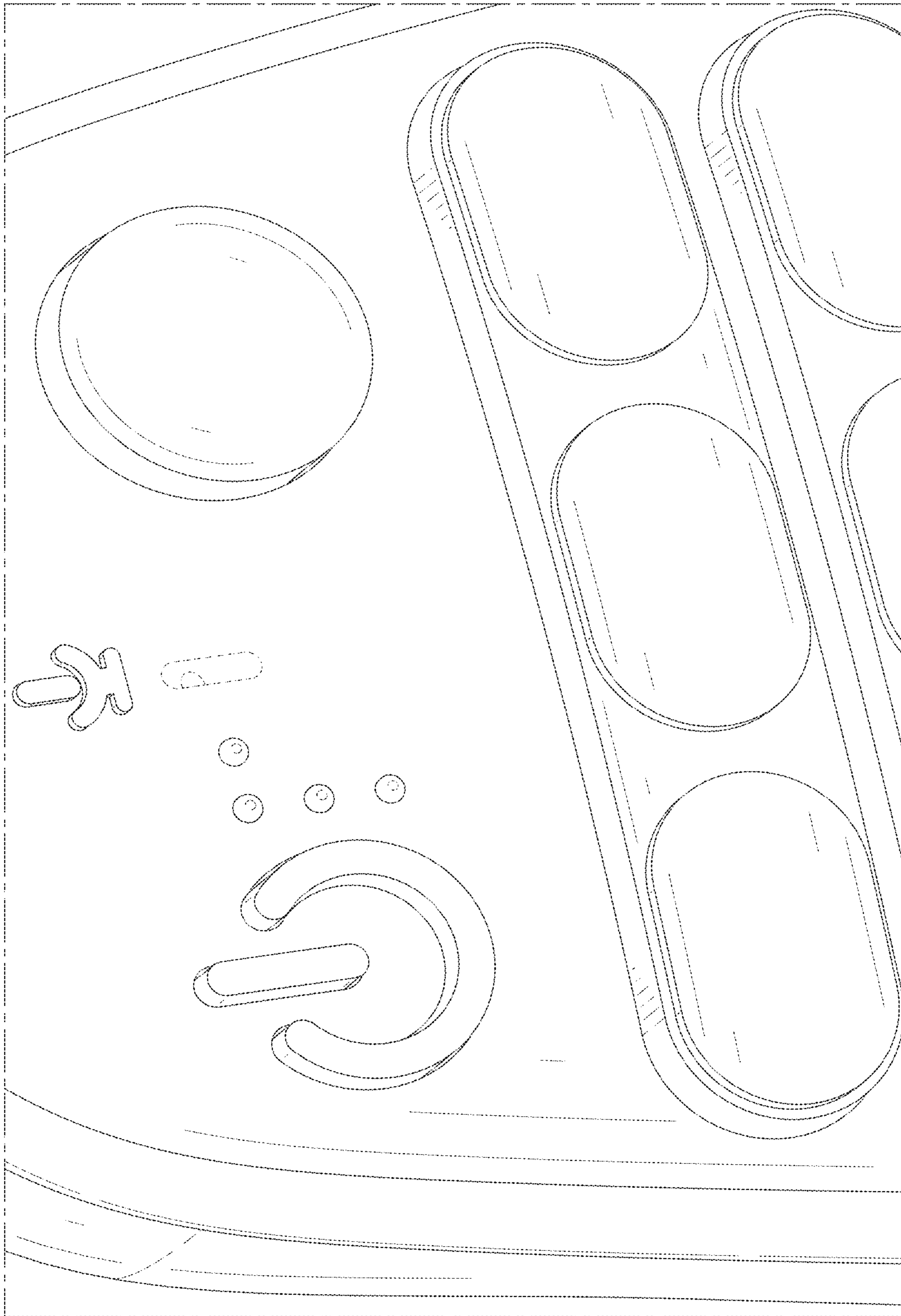


FIG. 9

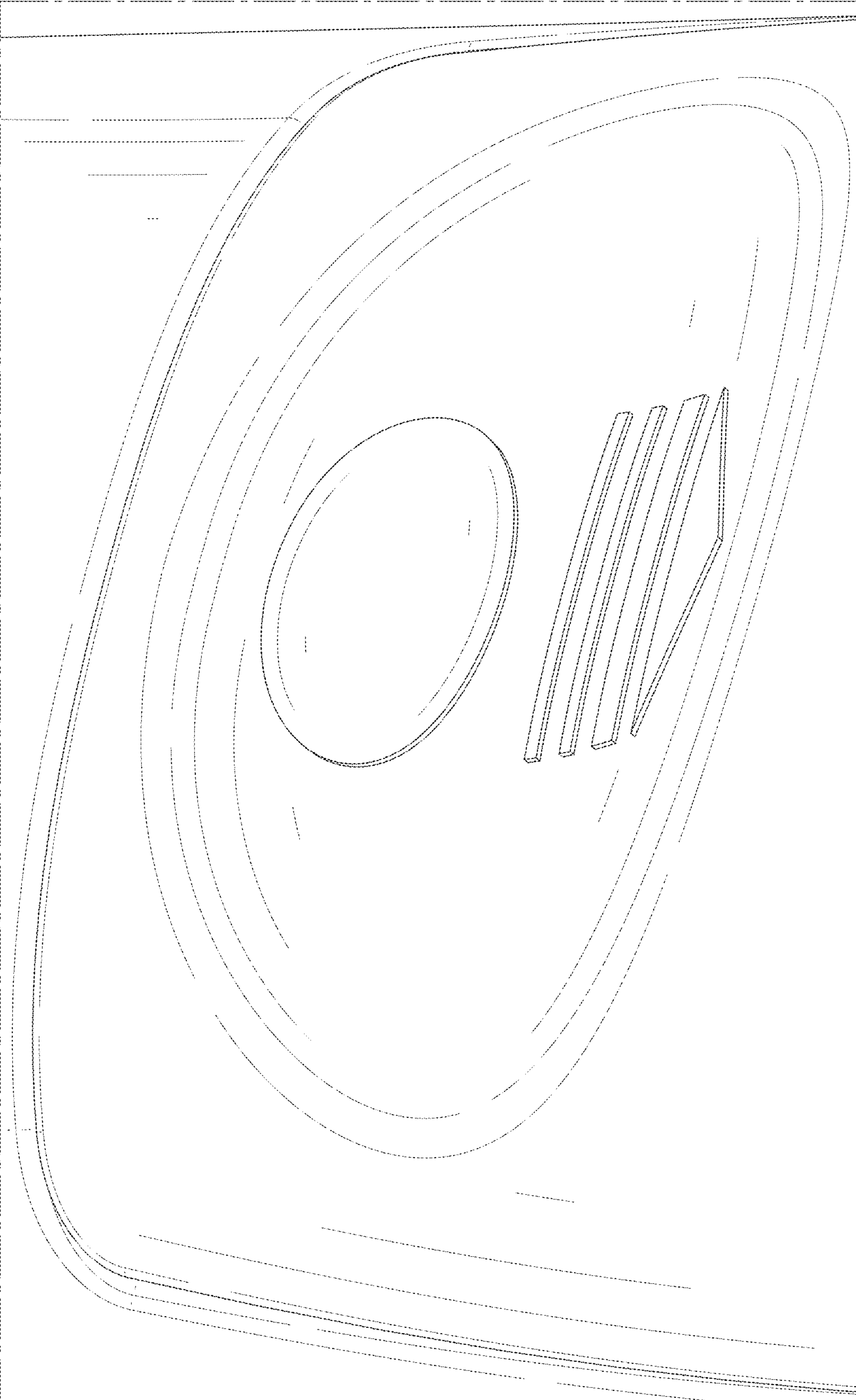


FIG. 10