



US00D969105S

(12) **United States Design Patent** (10) **Patent No.:** **US D969,105 S**
Lee et al. (45) **Date of Patent:** **** Nov. 8, 2022**

(54) **MOBILE PHONE**

- (71) Applicant: **Huizhou TCL Mobile Communication Co., Ltd.**, Huizhou (CN)
- (72) Inventors: **Shiuan Hung Lee**, Huizhou (CN); **Yan Zhu**, Huizhou (CN); **Wander Xu**, Huizhou (CN); **Fuqiang Ye**, Huizhou (CN); **Lucy Zhou**, Huizhou (CN); **Wells Wang**, Huizhou (CN); **Mamba Shi**, Huizhou (CN); **Harvey Li**, Huizhou (CN); **Leon Li**, Huizhou (CN)
- (73) Assignee: **HUIZHOU TCL MOBILE COMMUNICATION CO., LTD.**, Huizhou (CN)

(**) Term: **15 Years**

(21) Appl. No.: **29/718,201**

(22) Filed: **Dec. 20, 2019**

(30) **Foreign Application Priority Data**

Jun. 26, 2019 (CN) 201930334041.8

(51) **LOC (13) Cl.** **14-03**

(52) **U.S. Cl.**
USPC **D14/214**; D14/138 AB; D14/344

(58) **Field of Classification Search**
USPC D14/388-389, 371, 374, 420, 426,
D14/129-130, 315-318, 496, 125, 137,
(Continued)

(56) **References Cited**

U.S. PATENT DOCUMENTS

D715,758 S * 10/2014 Yun D14/344
D716,247 S * 10/2014 Yun D14/344

(Continued)

OTHER PUBLICATIONS

TCL leaks foretell a weird future for foldable phones, first available Feb. 18, 2019, techcrunch.com, [online], [site visited Mar. 23, 2022], Available from internet URL: <https://techcrunch.com/2019/02/18/tcl-leaks-foretell-a-weird-future-for-foldable-phones/> (Year: 2019).*

(Continued)

Primary Examiner — Samantha Q Lawrence

Assistant Examiner — Holly M Rodriguez

(74) *Attorney, Agent, or Firm* — Kirton McConkie; Evan R. Witt

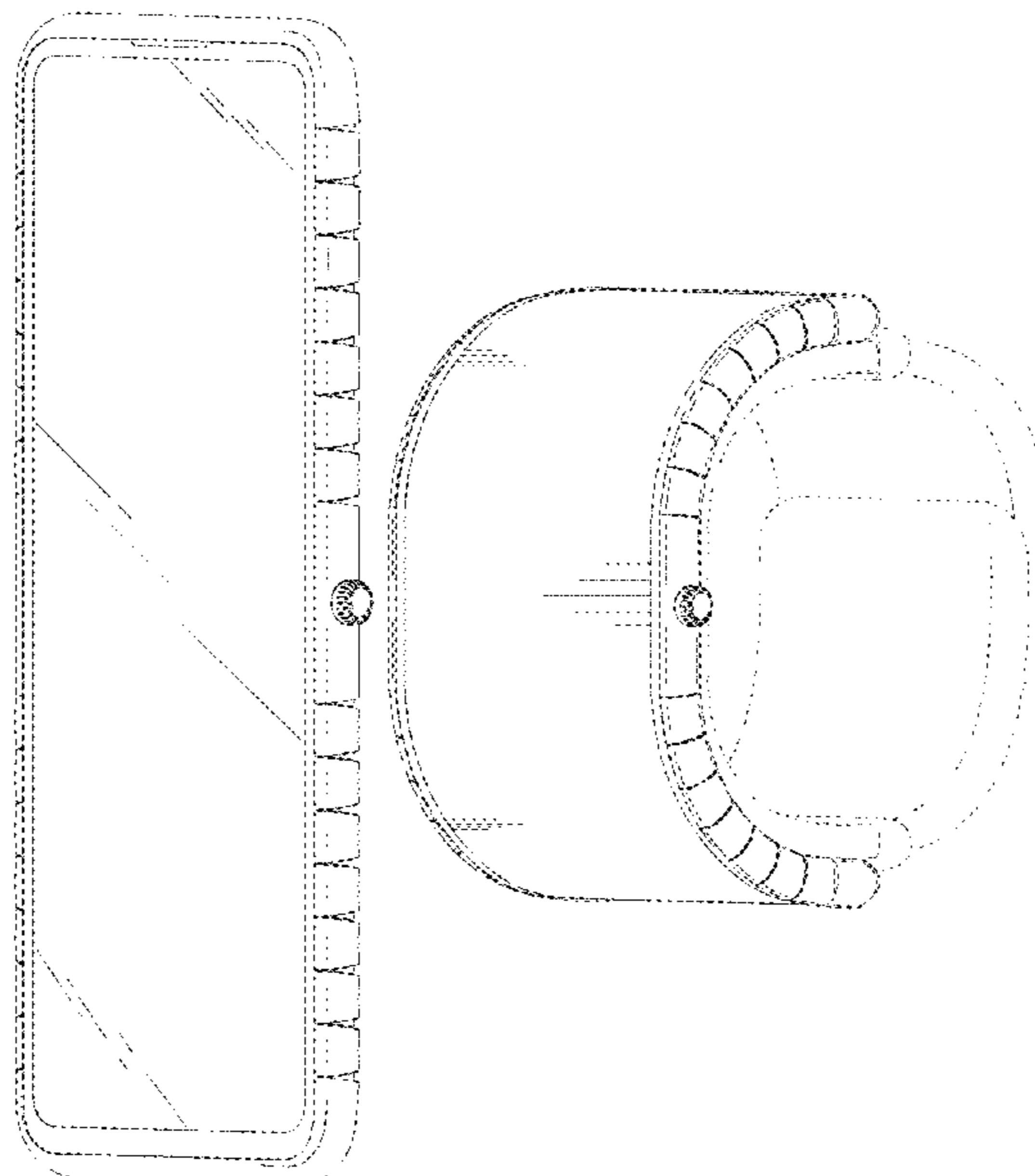
(57) **CLAIM**

The ornamental designs for a mobile phone, as shown and described.

DESCRIPTION

FIG. 1 is a front perspective view of a mobile phone, showing our new design;
FIG. 2 is a front view thereof;
FIG. 3 is a rear view thereof;
FIG. 4 is a left side view thereof;
FIG. 5 is a right side view thereof;
FIG. 6 is a top plan view thereof;
FIG. 7 is a bottom plan view thereof;
FIG. 8 is a front perspective view of the mobile phone of FIG. 1 in an alternate position of use provided with a band;
FIG. 9 is a front view thereof;
FIG. 10 is a rear view thereof;
FIG. 11 is a left side view thereof;
FIG. 12 is a right side view thereof;
FIG. 13 is a top plan view thereof; and,
FIG. 14 is a bottom plan view thereof.
The broken line portions in the drawing showing a band form no part of the claimed design.

1 Claim, 13 Drawing Sheets



(58) **Field of Classification Search**

USPC D14/133 AA, 138 AB, 138 AC, 138 AD,
 D14/138 C, 138 G, 138 R, 147,
 D14/203.3–203.8, 218, 239, 240, 247,
 D14/248, 341–347; D21/324, 329;
 D24/186; D10/104.4, 50, 65, 74
 CPC G06F 1/16; G06F 1/1632; G06F 1/1616;
 G06F 1/1626; G06F 1/1658; G06F
 1/1688; G06F 1/1613; G06F 2200/1633;
 G06F 3/0488; G06F 3/04886; G06F
 3/044; G06F 3/0412; G06F 3/0416;
 H01M 10/44; F16M 11/10; F16M 11/02;
 H05K 7/1465; A45C 2011/002; A45C
 2011/003; H04B 1/3888; H04M 1/185
 See application file for complete search history.

(56) **References Cited**

U.S. PATENT DOCUMENTS

D717,261 S * 11/2014 Yun D14/344
 D726,139 S * 4/2015 Park D14/138 R
 D726,140 S * 4/2015 Park D14/344
 D733,130 S * 6/2015 Kim D14/344
 D738,877 S * 9/2015 Kim D14/344
 D788,734 S * 6/2017 Park D14/138 G
 D795,861 S * 8/2017 Seo D14/341
 10,185,364 B2 * 1/2019 Seo G06F 1/1635

D841,612 S * 2/2019 Kwon D14/344
 D850,443 S * 6/2019 Kwon D14/344
 10,345,853 B2 * 7/2019 Wu G06F 1/1681
 D859,347 S * 9/2019 Kwon D14/138 AB
 D880,475 S * 4/2020 Kwon D14/344
 D884,664 S * 5/2020 Kwon D14/138 AB
 D902,167 S * 11/2020 Lee D14/138 AB
 D906,994 S * 1/2021 Lee D14/138 AB
 D917,468 S * 4/2021 Lee D14/344
 11,269,378 B2 * 3/2022 Son G06F 1/1652
 2016/0357222 A1 * 12/2016 Seo G06F 1/1635

OTHER PUBLICATIONS

Samsung bendable smartphone that you can wear as a watch, first available Mar. 17, 2019, etsgodigital.org, [online], [site visited Feb. 6, 2022], Available from internet URL: <https://en.letsgodigital.org/smartphones/samsung-bendable-smartphone/> (Year: 2019).*

The First Bendable Smartphone Is Here, first available May 25, 2016, glamour.com, [online], [site visited Mar. 23, 2022], Available from internet URL: <https://www.glamour.com/story/the-first-bendable-smart-phone-is-here> (Year: 2016).*

Lenovo shows off a bendable phone for your wrist, first available Jun. 9, 2016, engadget.com, [online], [site visited Mar. 23, 2022], Available from internet URL: <https://www.engadget.com/2016-06-09-lenovo-wants-to-make-bendable-phones-for-your-wrist.html> (Year: 2016).*

* cited by examiner

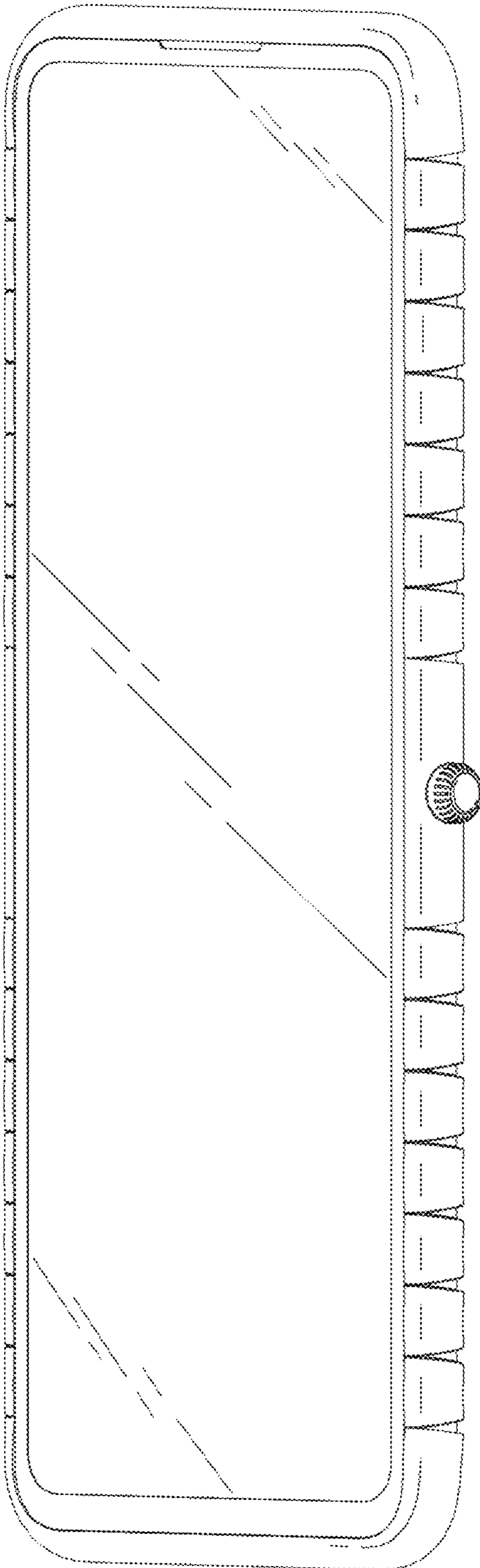


FIG. 1

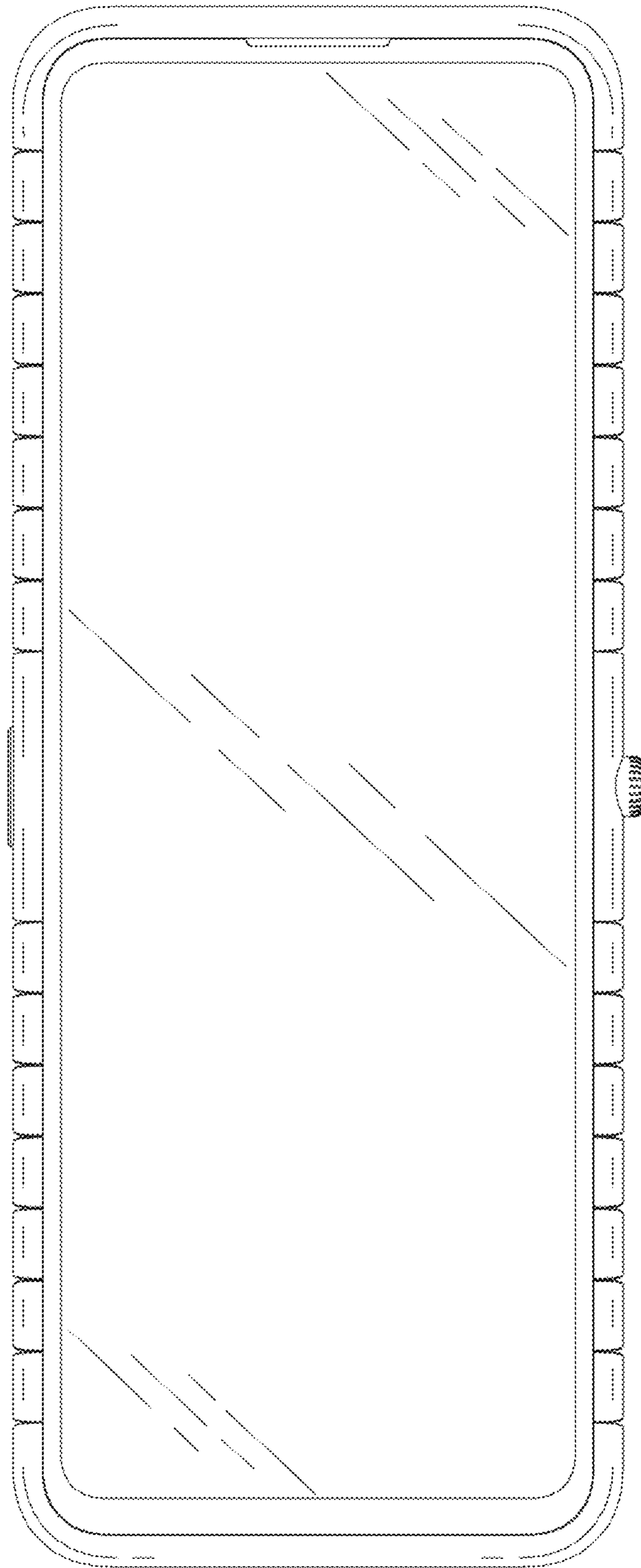


FIG. 2

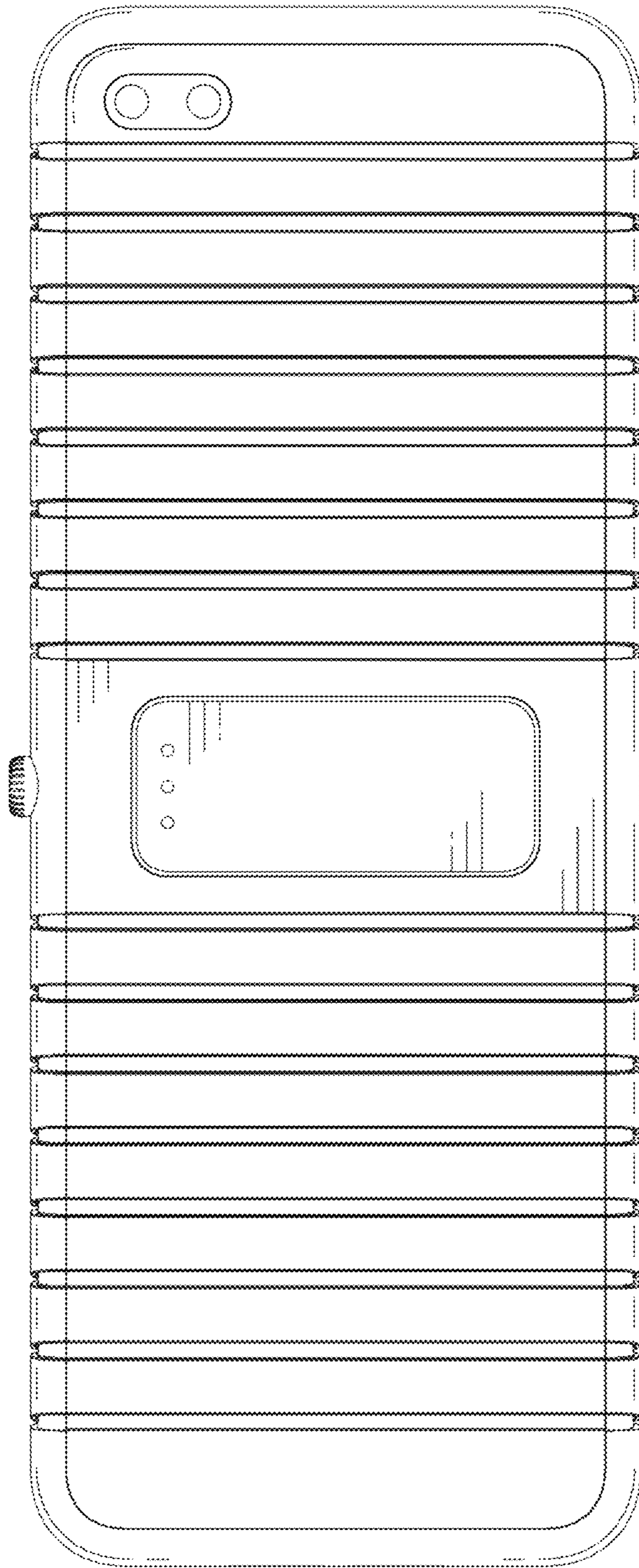


FIG. 3



FIG. 4



FIG. 5



FIG. 6

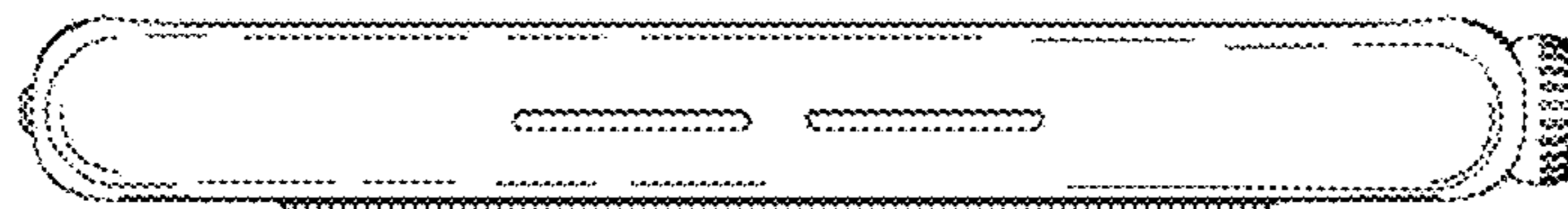


FIG. 7

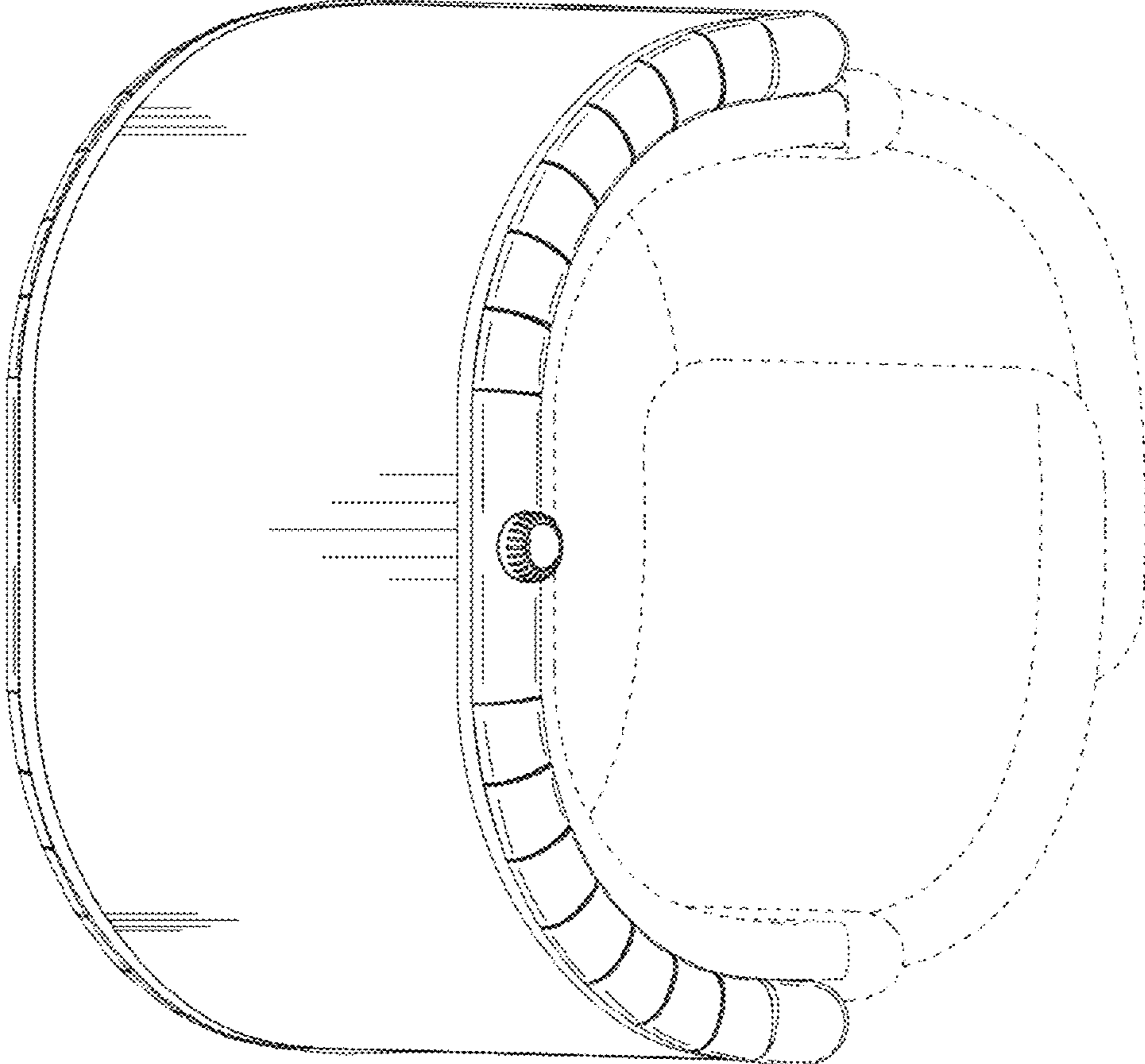


FIG. 8

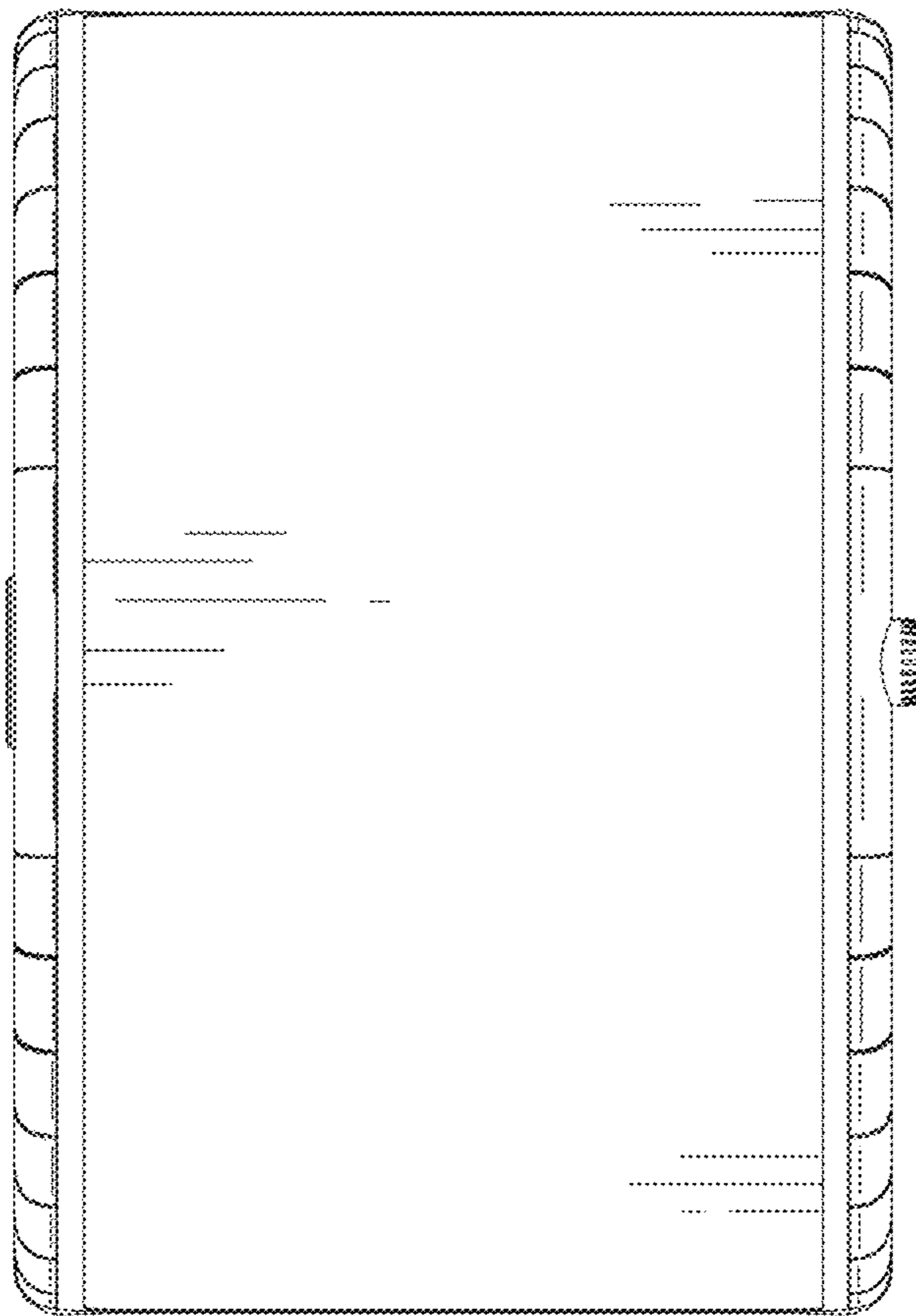


FIG. 9

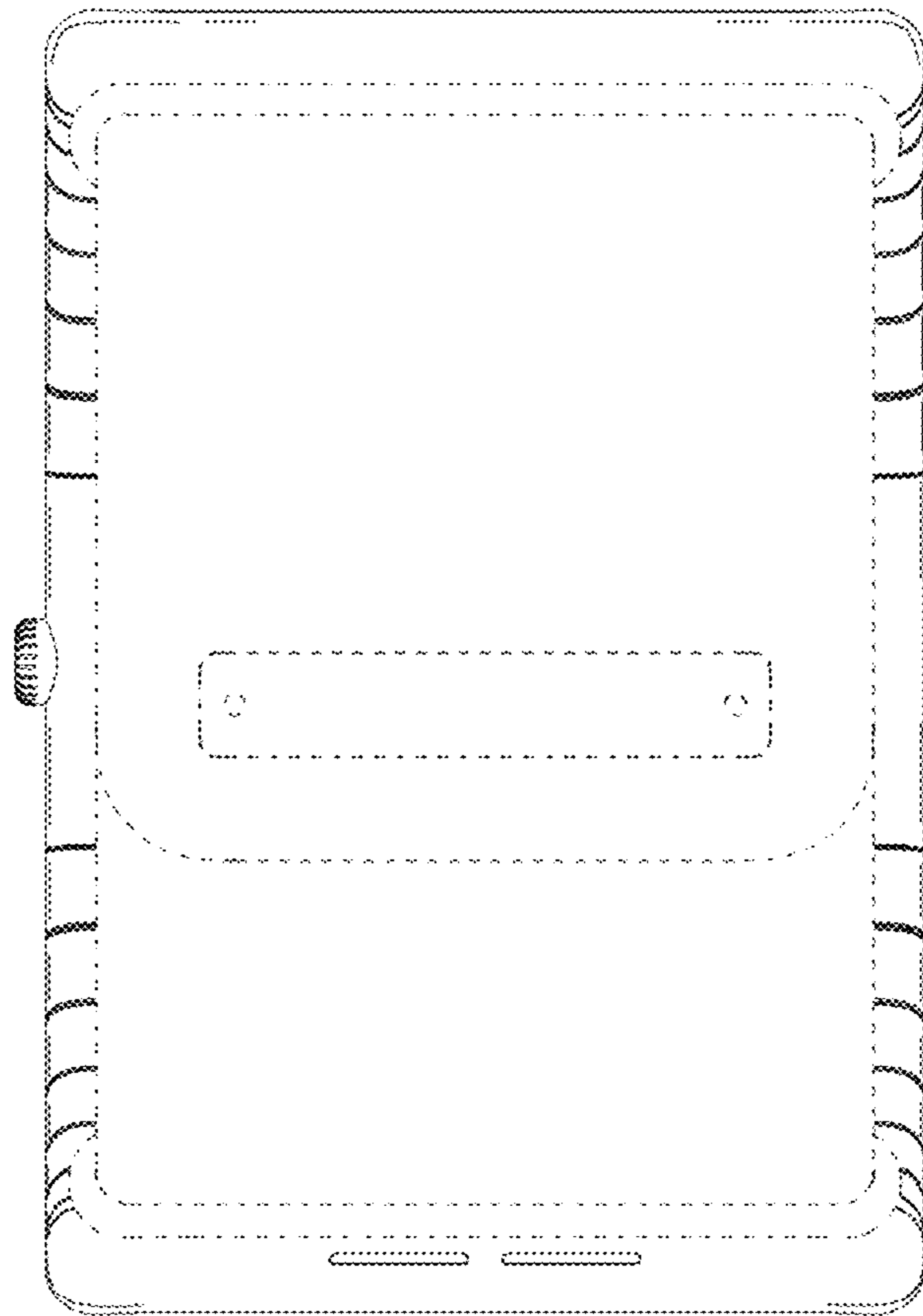


FIG. 10

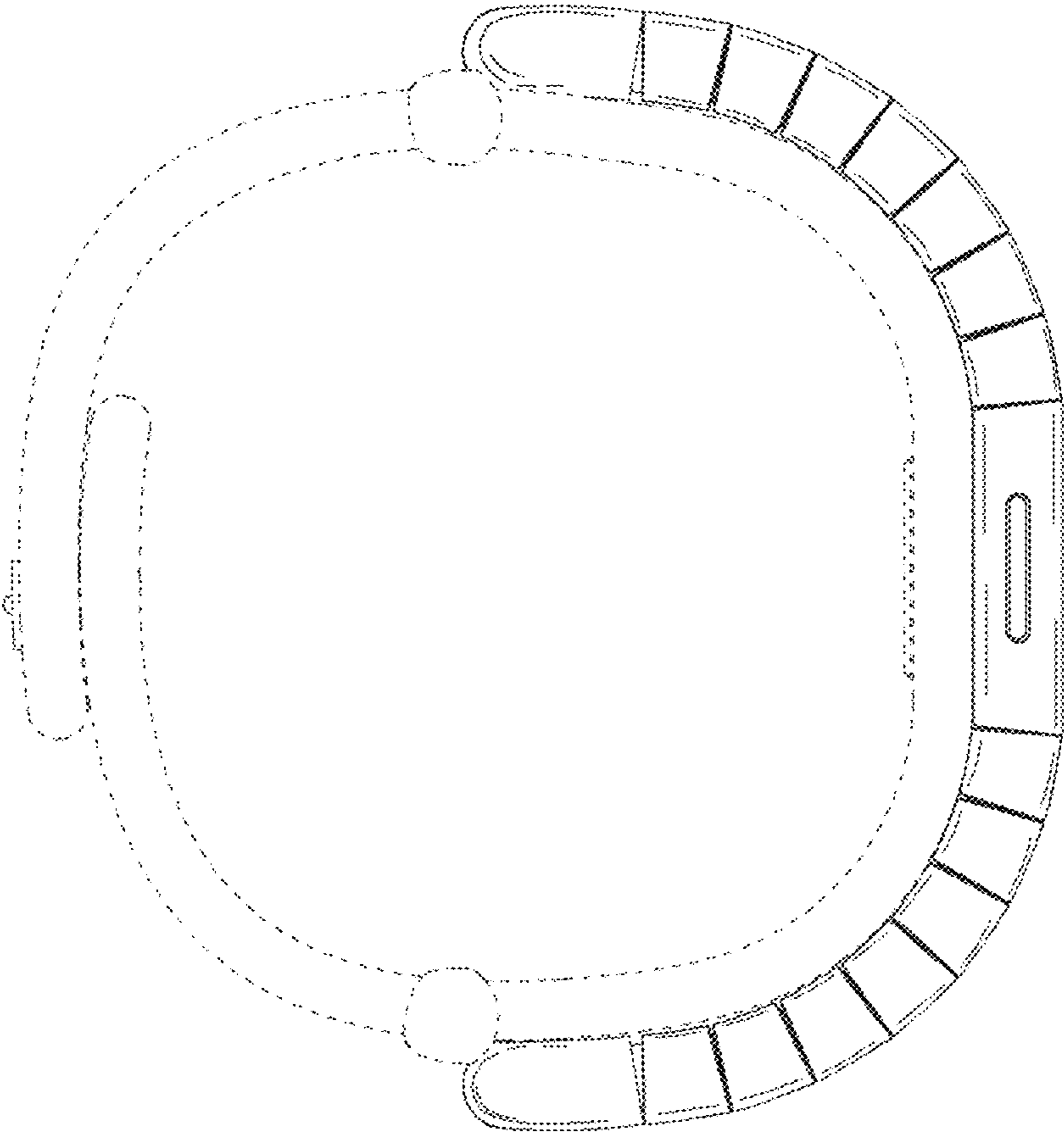


FIG. 11

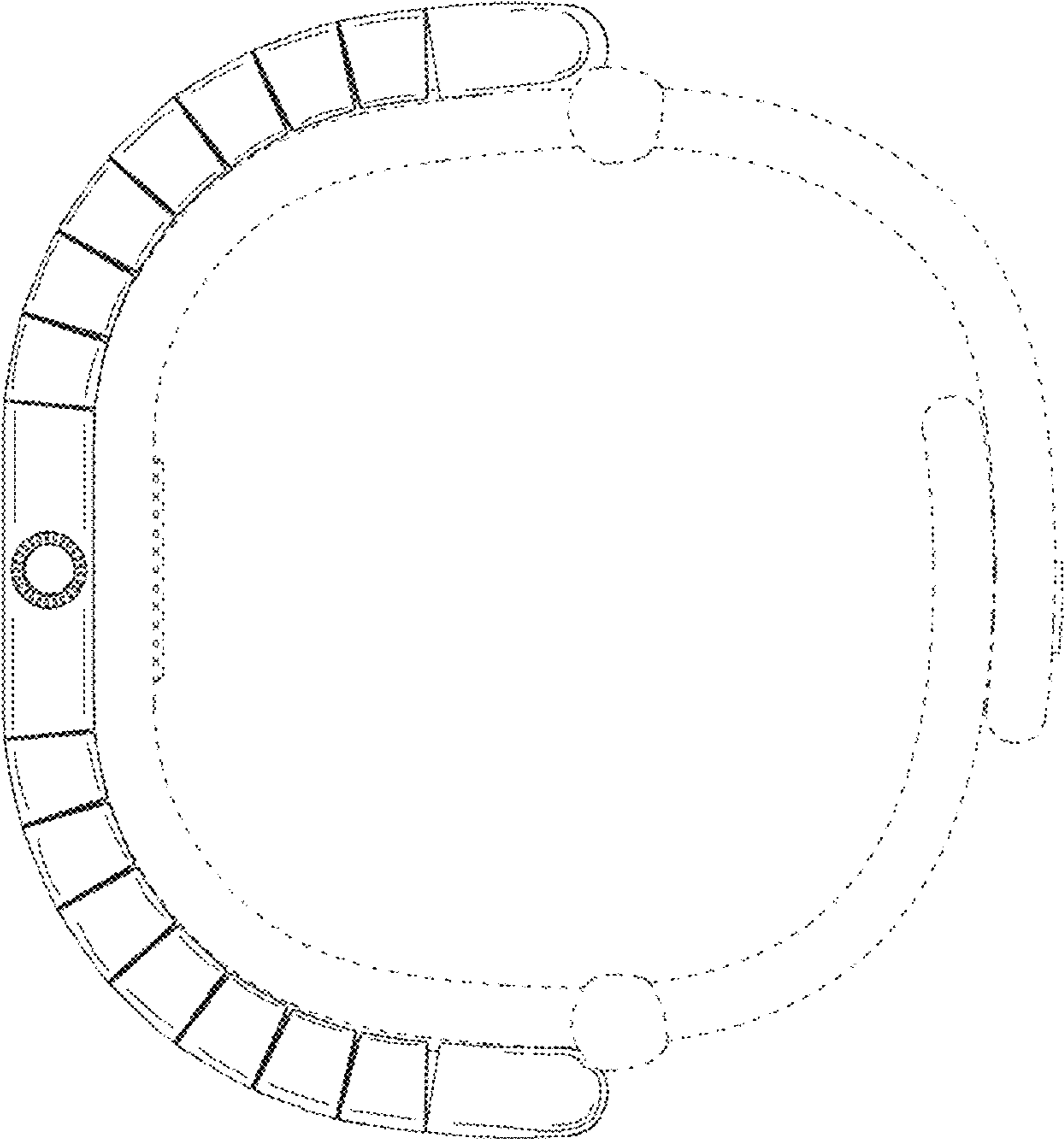


FIG. 12

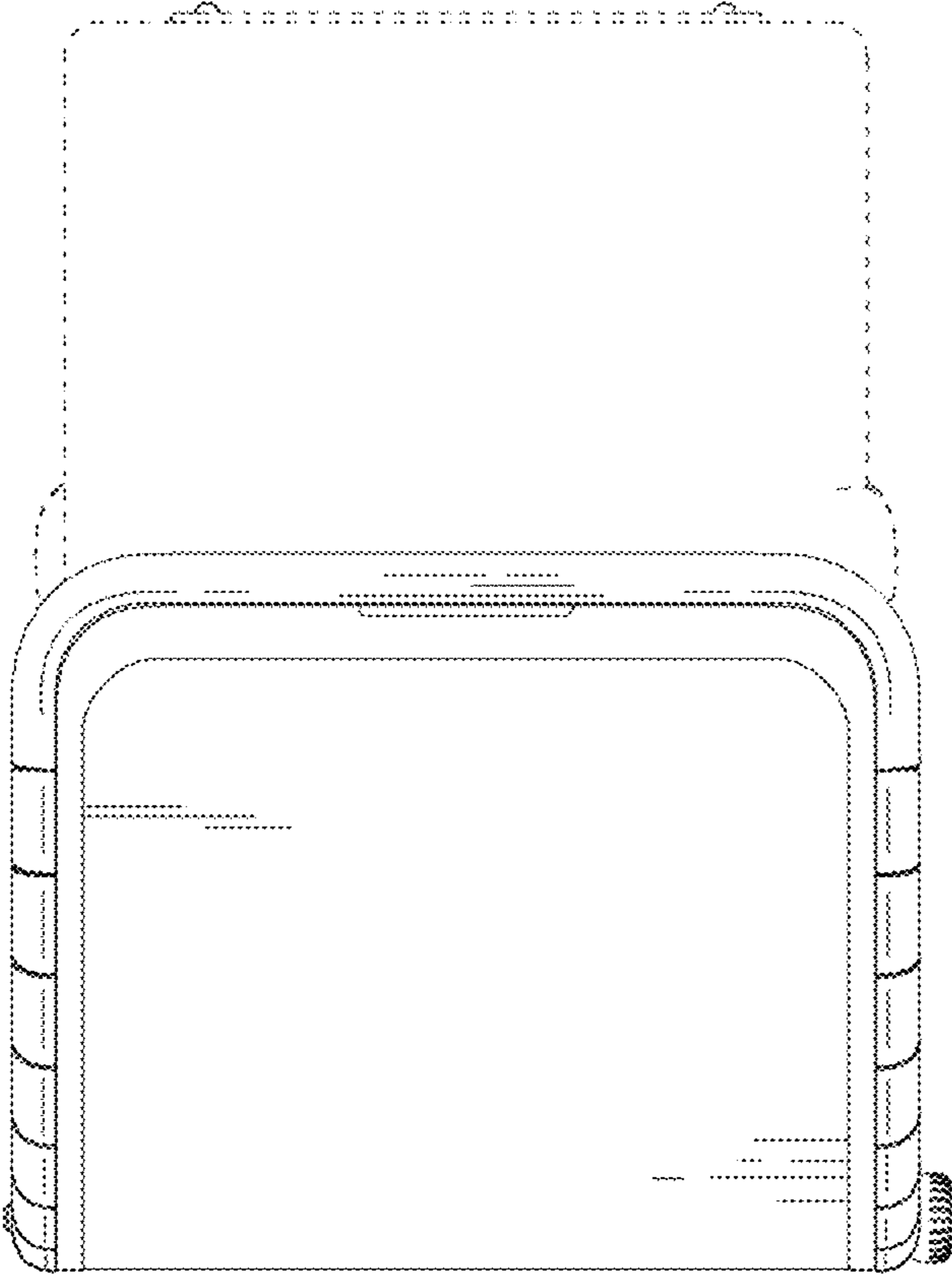


FIG. 13

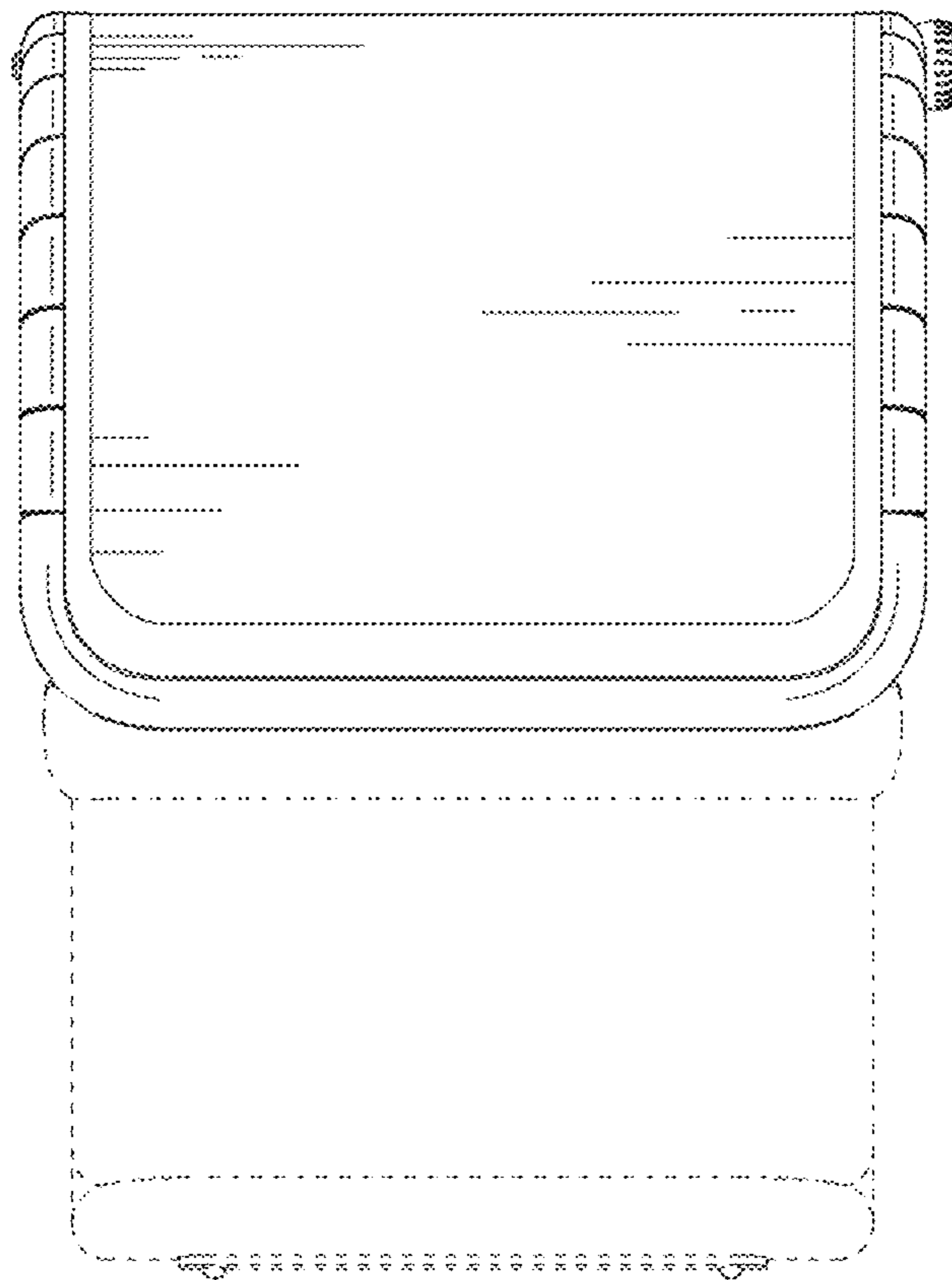


FIG. 14