

US00D969104S

(12) **United States Design Patent** (10) **Patent No.:** **US D969,104 S**
Yang (45) **Date of Patent:** **** Nov. 8, 2022**

(54) **COMMUNICATIONS HEADSET**

FOREIGN PATENT DOCUMENTS

(71) Applicant: **Plantronics, Inc.**, Santa Cruz, CA (US)

CA 186518 * 2/2020
CA 186519 * 2/2020

(72) Inventor: **Joseph W. Yang**, San Jose, CA (US)

(Continued)

(73) Assignee: **Plantronics, Inc.**, Santa Cruz, CA (US)

OTHER PUBLICATIONS

(**) Term: **15 Years**

Yang et al., "Communications Headset," Design U.S. Appl. No. 29/705,717, filed Sep. 13, 2019, 21 pages.

(21) Appl. No.: **29/769,584**

(Continued)

(22) Filed: **Feb. 5, 2021**

Primary Examiner — Paula Allen Greene

(51) **LOC (13) Cl.** **14-01**

(74) *Attorney, Agent, or Firm* — Ferguson Braswell
Fraser Kubasta PC

(52) **U.S. Cl.**

USPC **D14/206**; D14/226

(58) **Field of Classification Search**

(57) **CLAIM**

USPC D14/206, 226, 188, 192; D29/112;
2/209; 381/380–381, 370–371; 379/430
CPC H04R 25/00; H04R 1/1066; H04R 1/1016;
H04R 5/033; H04R 5/0335; H04R 19/04;
H04R 11/06; H04R 1/105

The ornamental design for a communications headset, as shown and described.

See application file for complete search history.

DESCRIPTION

(56) **References Cited**

FIG. 1 is a front-left perspective view of a communications headset showing my new design;
FIG. 2 is a back-right perspective view thereof;
FIG. 3 is a front view thereof;
FIG. 4 is a back view thereof;
FIG. 5 is a right view thereof;
FIG. 6 is a left view thereof;
FIG. 7 is a top view thereof; and,
FIG. 8 is a bottom view thereof.

U.S. PATENT DOCUMENTS

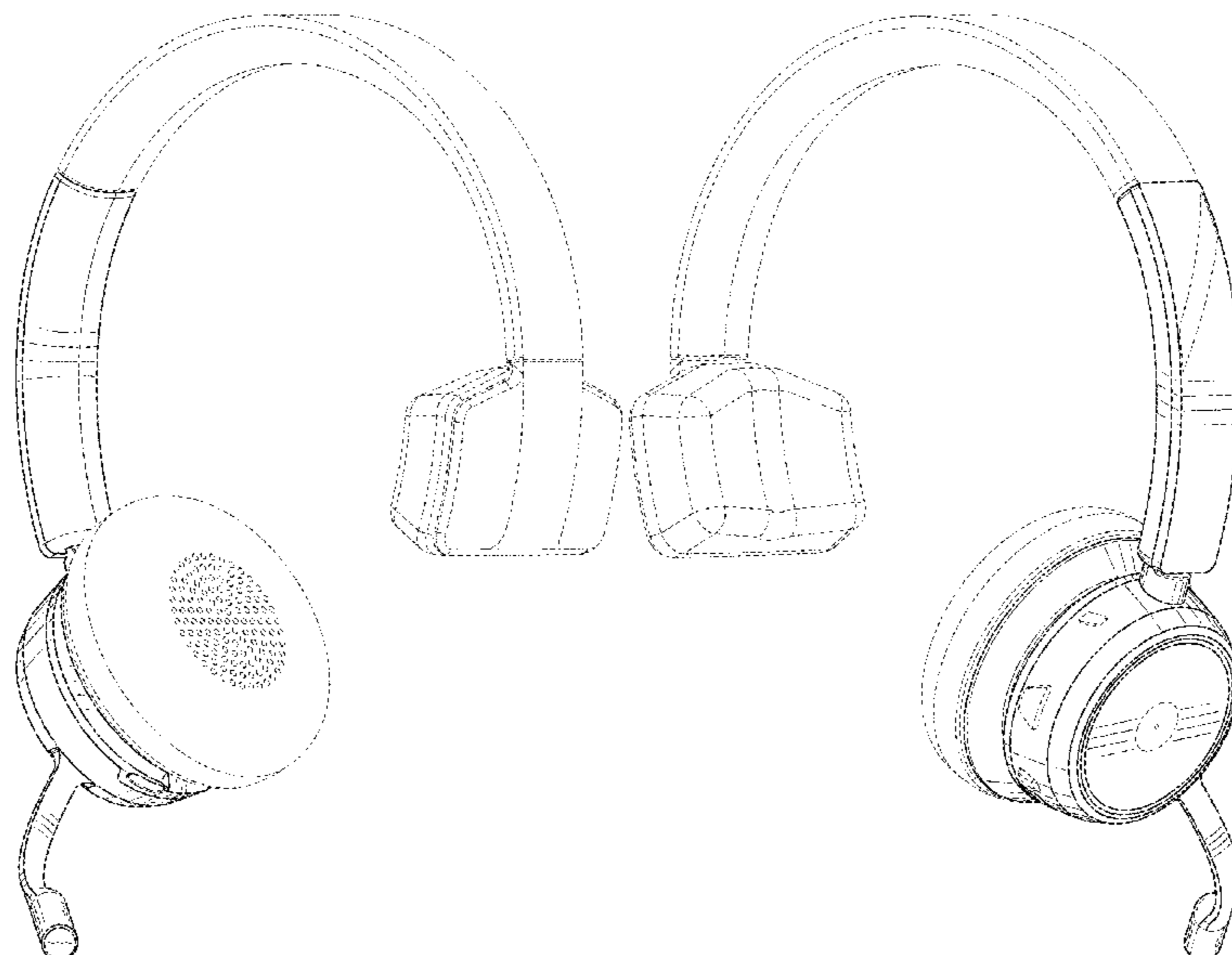
- 5,369,857 A * 12/1994 Sacherman H04R 5/0335
379/430
- 5,951,141 A * 9/1999 Bradley F21V 21/084
362/253
- D638,000 S * 5/2011 Hoggarth D14/206
- D654,471 S * 2/2012 Fischer D14/206
- D692,410 S * 10/2013 Brunner H04R 1/1008
D14/206
- 8,605,934 B2 * 12/2013 Hagberg H04R 1/1066
381/381
- D713,817 S * 9/2014 Paterson D14/205
- D725,630 S * 3/2015 Nakagawa D14/205
- 9,031,254 B2 * 5/2015 Heise H04R 1/1066
381/74
- D733,090 S * 6/2015 Petersen D14/205

The broken lines showing the ear cushions, holes, buttons, port, headband, and temple pad are for the purpose of illustrating portions of the article that form no part of the claimed design.

The thin, black lines shown in long dashes with intermittent breaks are shading and/or tan-gent lines to show contour of the surfaces or curved edges of a communications headset, and do not actually appear on the surface of the device.

(Continued)

1 Claim, 8 Drawing Sheets



(56)

References Cited

U.S. PATENT DOCUMENTS

D734,296 S * 7/2015 Paterson D14/205
 D741,842 S * 10/2015 Levine D14/226
 9,426,554 B2 * 8/2016 Dai H04R 1/105
 D806,676 S * 1/2018 Fuglsang D14/206
 D809,478 S * 2/2018 Arimoto D14/205
 D820,812 S * 6/2018 Bidwell D14/206
 D822,638 S * 7/2018 Liu D14/206
 D830,339 S * 10/2018 Yan D14/206
 D836,085 S * 12/2018 Sun D14/206
 D843,967 S * 3/2019 Paterson D14/205
 D847,778 S * 5/2019 Hardi D14/205
 D848,395 S * 5/2019 Kelley D14/205
 D851,628 S * 6/2019 Wernblad D14/206
 D855,036 S * 7/2019 Yan D14/206
 D856,303 S * 8/2019 Ando D14/205
 D864,155 S * 10/2019 Liu D14/206
 D864,156 S * 10/2019 Liu D14/206
 D866,508 S * 11/2019 Lindof D14/206
 D866,509 S * 11/2019 Lindof D14/206
 D866,510 S * 11/2019 Lindof D14/206
 D866,511 S * 11/2019 Lindof D14/206
 D866,513 S * 11/2019 Lindof D14/206
 D866,514 S * 11/2019 Lindof D14/206
 D867,330 S * 11/2019 Lindof D14/206
 D867,331 S * 11/2019 Lindof D14/206
 D869,430 S * 12/2019 Rama D14/206
 D870,069 S * 12/2019 Hu D14/206
 D874,736 S * 2/2020 Bui D29/112
 D875,073 S * 2/2020 Pedersen D14/206
 D877,115 S * 3/2020 Kelley
 D882,544 S * 4/2020 Paterson D14/205
 D883,253 S * 5/2020 Kelley D14/206
 D885,364 S * 5/2020 Paterson D14/206
 D895,570 S * 9/2020 Choi D14/205
 D898,701 S * 10/2020 Zhong D14/206
 D898,711 S * 10/2020 Pedersen D14/206
 D899,402 S * 10/2020 Shen D14/206
 D923,602 S * 6/2021 Kelley D14/206
 D927,451 S * 8/2021 Paterson D14/206
 D927,452 S * 8/2021 Paterson D14/205

D927,455 S * 8/2021 Yang D14/206
 D927,456 S * 8/2021 Paterson D14/206
 D927,457 S * 8/2021 Su D14/206
 D927,458 S * 8/2021 Su D14/206
 D927,459 S * 8/2021 Su D14/206
 D928,116 S * 8/2021 Su D14/206
 D935,440 S * 11/2021 Liu D14/206
 D940,685 S * 1/2022 He D14/206
 D940,686 S * 1/2022 Yang D14/206
 D942,414 S * 2/2022 Liu D14/206
 2001/0036291 A1 * 11/2001 Pallai H04R 1/342
 381/370
 2005/0286717 A1 * 12/2005 Viduya H04M 1/18
 379/430
 2011/0135134 A1 * 6/2011 Essabar H04R 1/1033
 381/374
 2011/0228925 A1 * 9/2011 Birch H04R 1/1041
 379/428.02
 2012/0328119 A1 * 12/2012 Heise H04R 1/1066
 381/74
 2017/0041695 A1 * 2/2017 Hernandez Vazquez
 F16M 13/04

FOREIGN PATENT DOCUMENTS

CN 307018871 * 12/2021
 CN 307129867 * 2/2022
 CN 307278942 * 4/2022
 CN 307293564 * 4/2022
 EM 007792767-0011 * 4/2020
 GB 9003787902-0001 * 3/2017
 JP D1711332 * 3/2022
 TW 208355-0001 * 9/2019
 TW 209304-001 * 9/2019

OTHER PUBLICATIONS

Wang et al., "Communications Headset," Design U.S. Appl. No. 29/734,291, filed May 11, 2020, 23 pages.

* cited by examiner

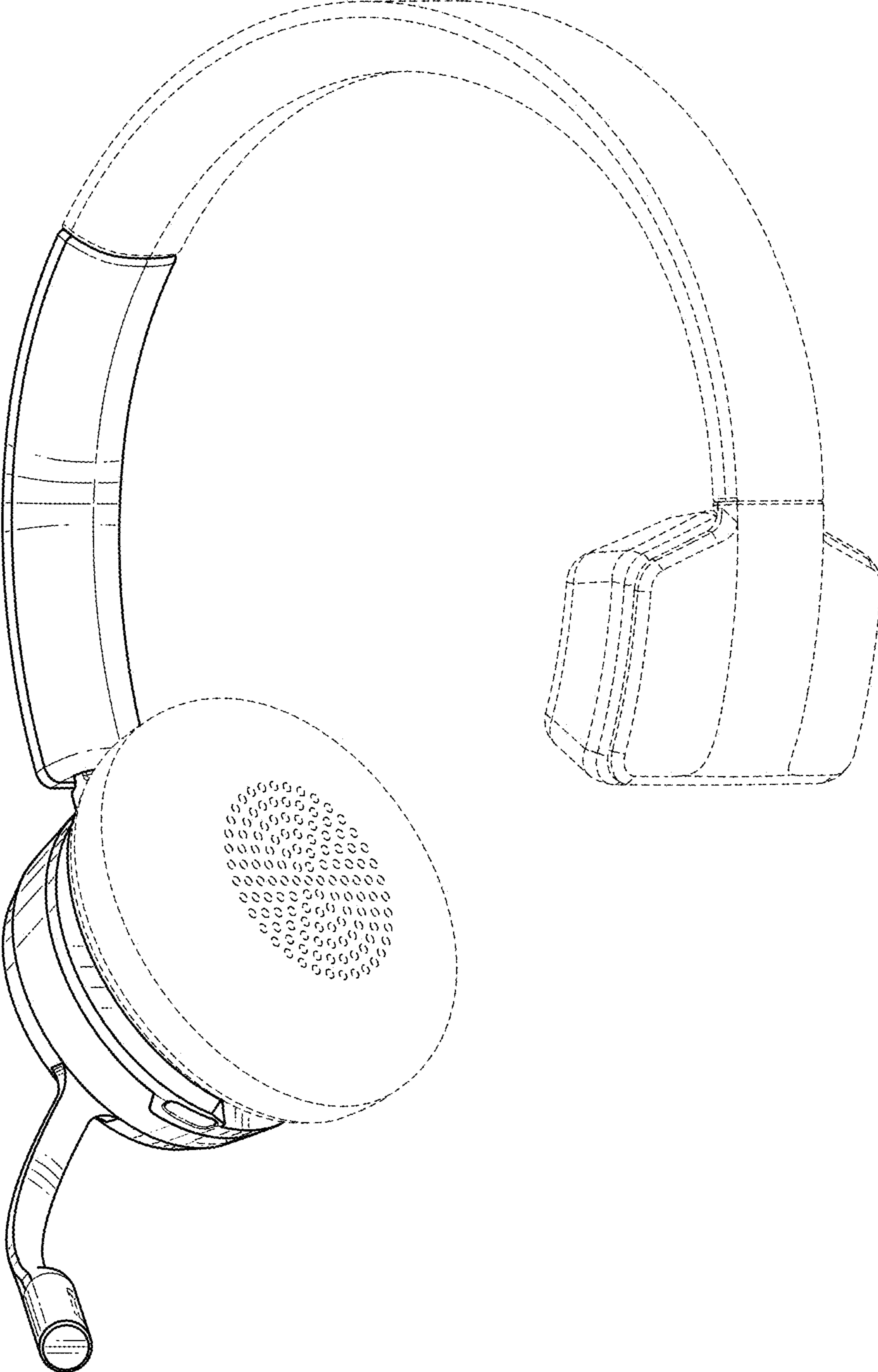


FIG. 1

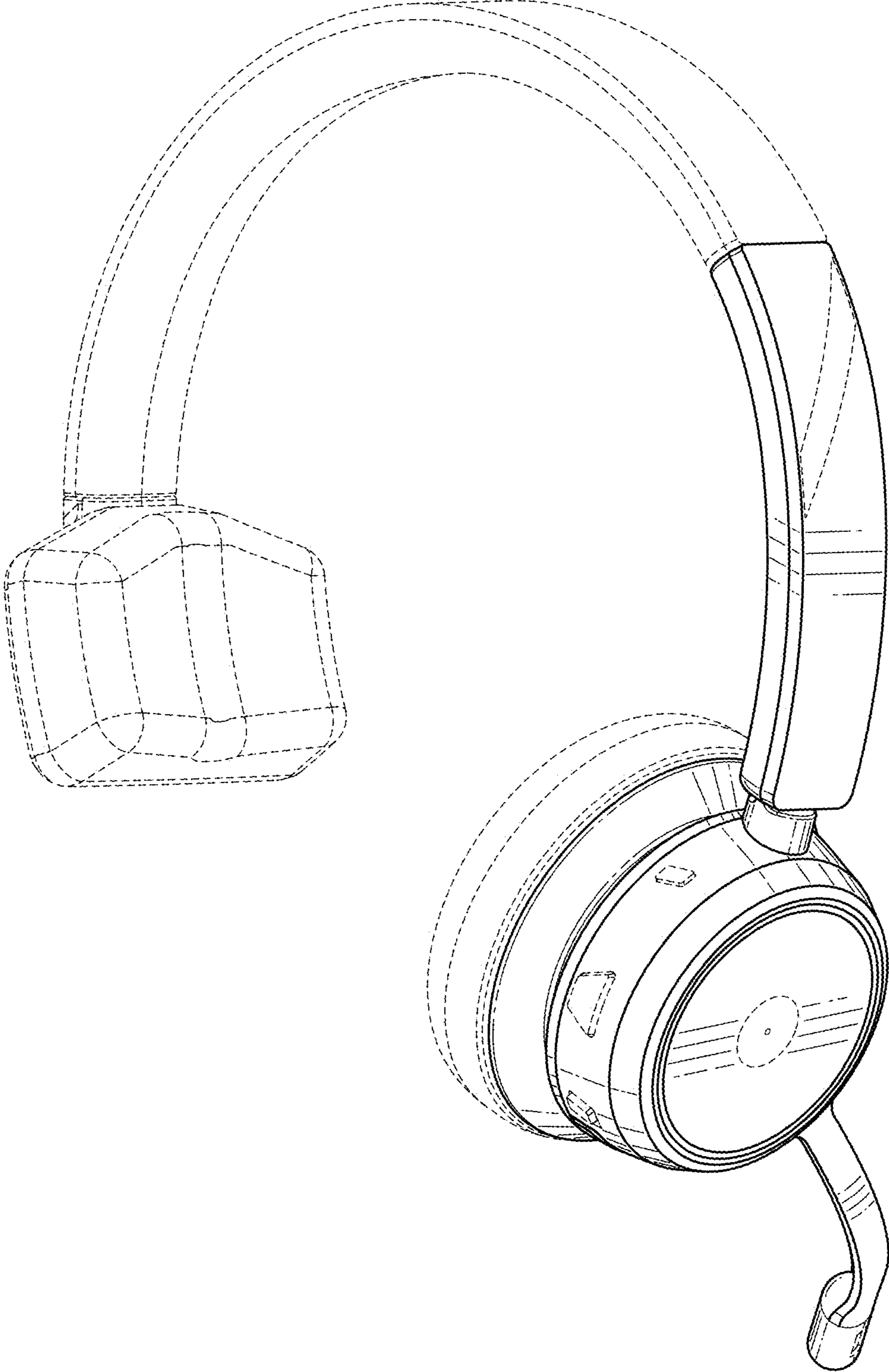


FIG. 2

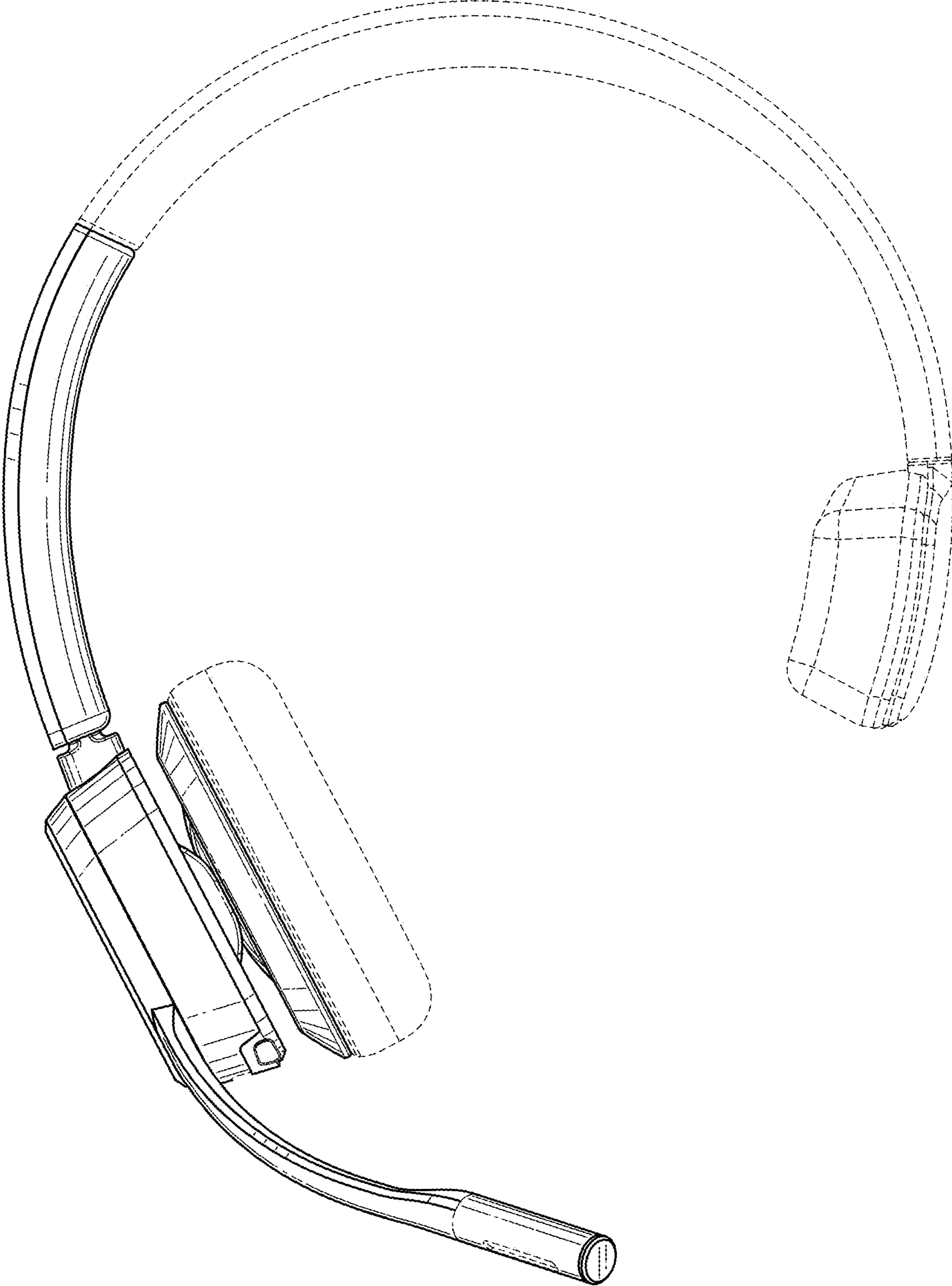


FIG. 3

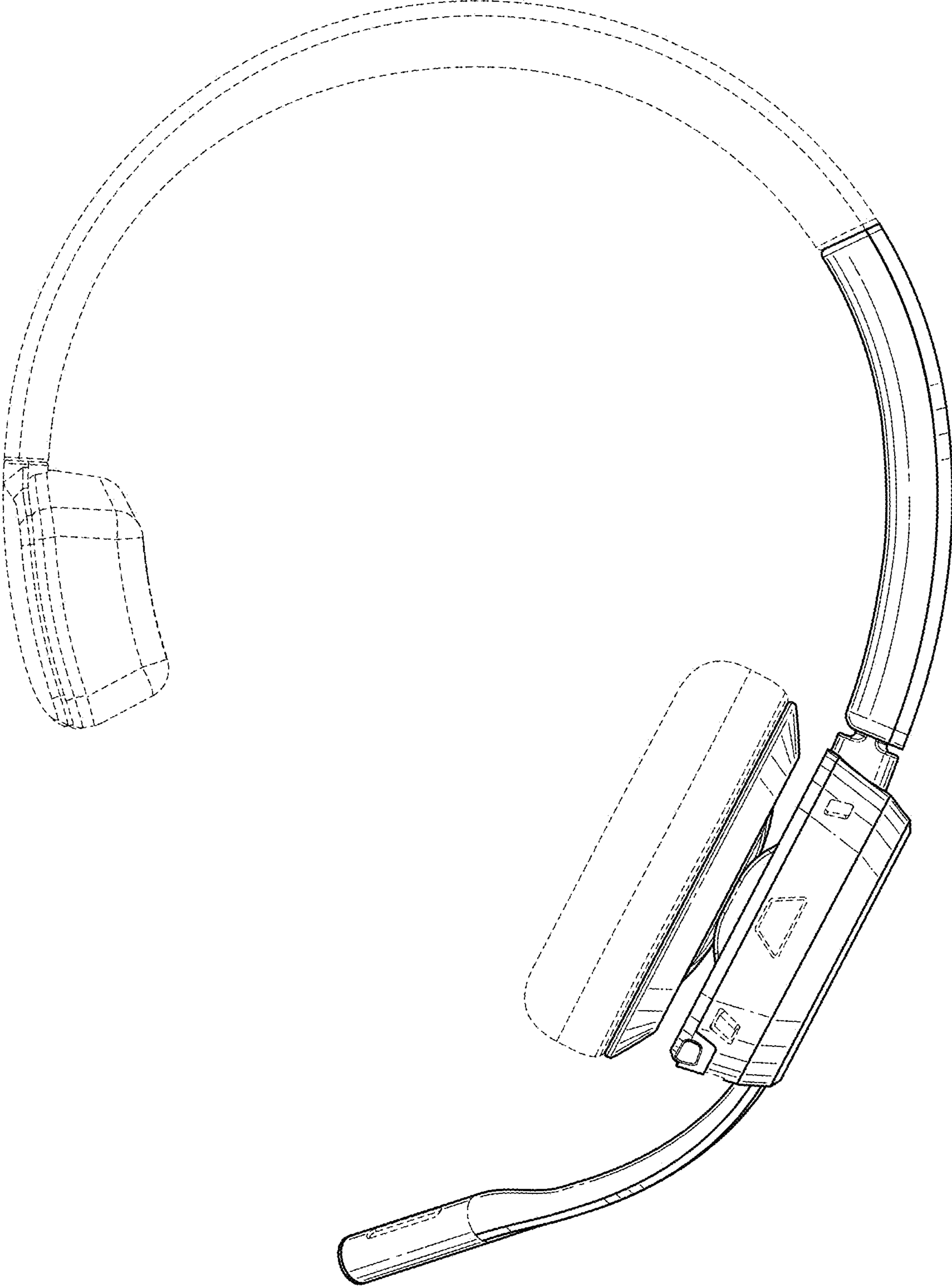


FIG. 4

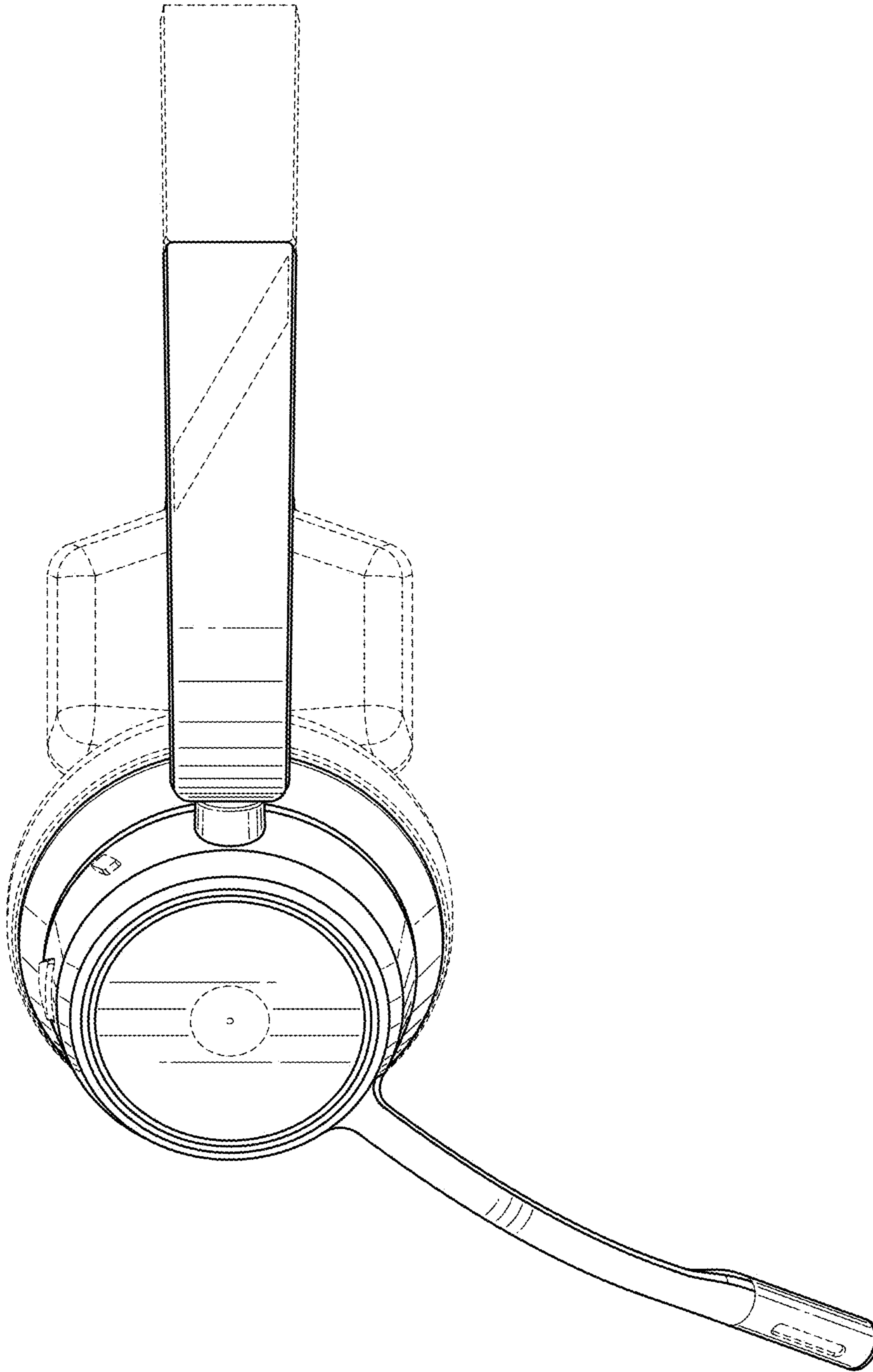


FIG. 5

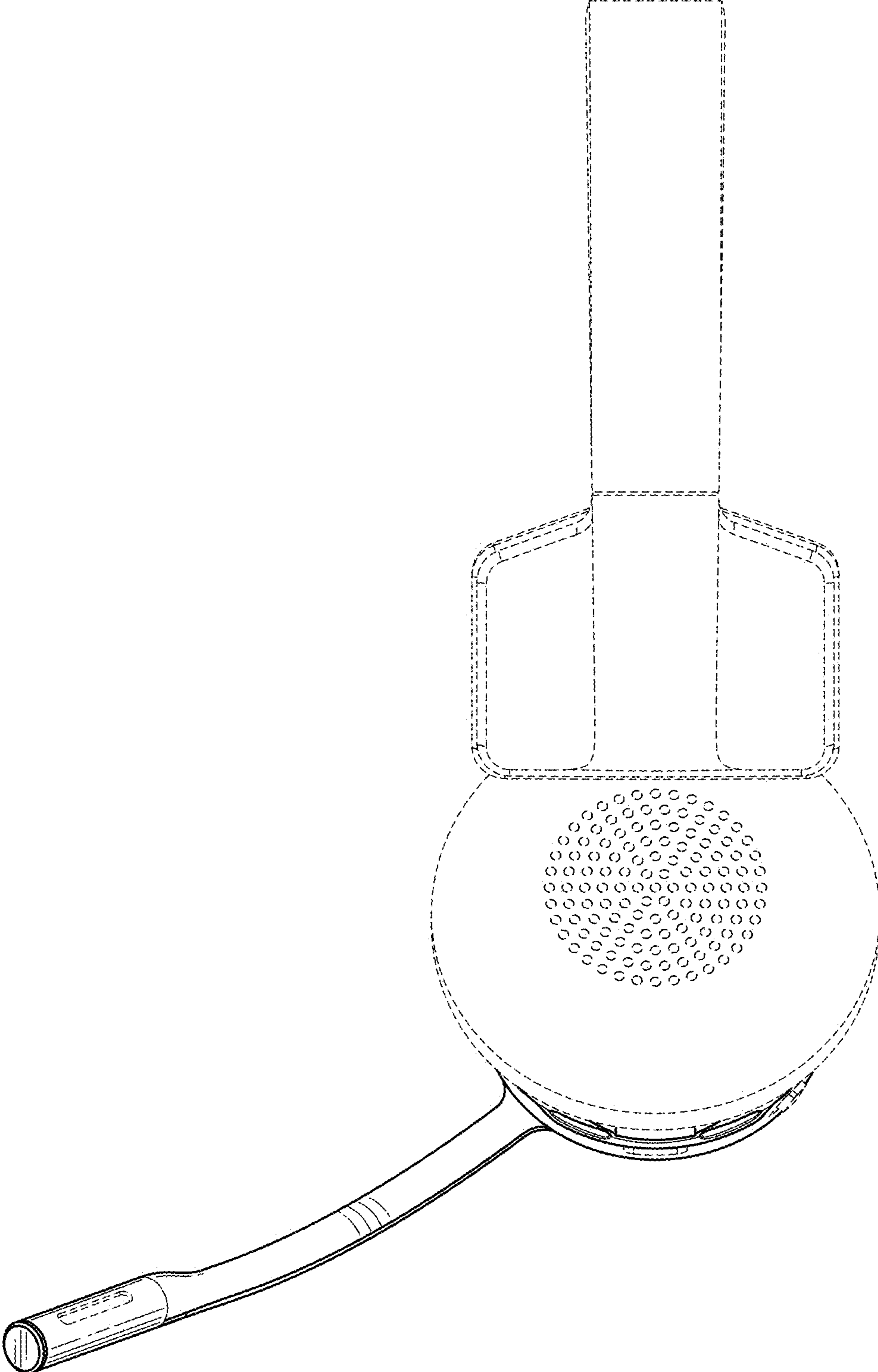


FIG. 6

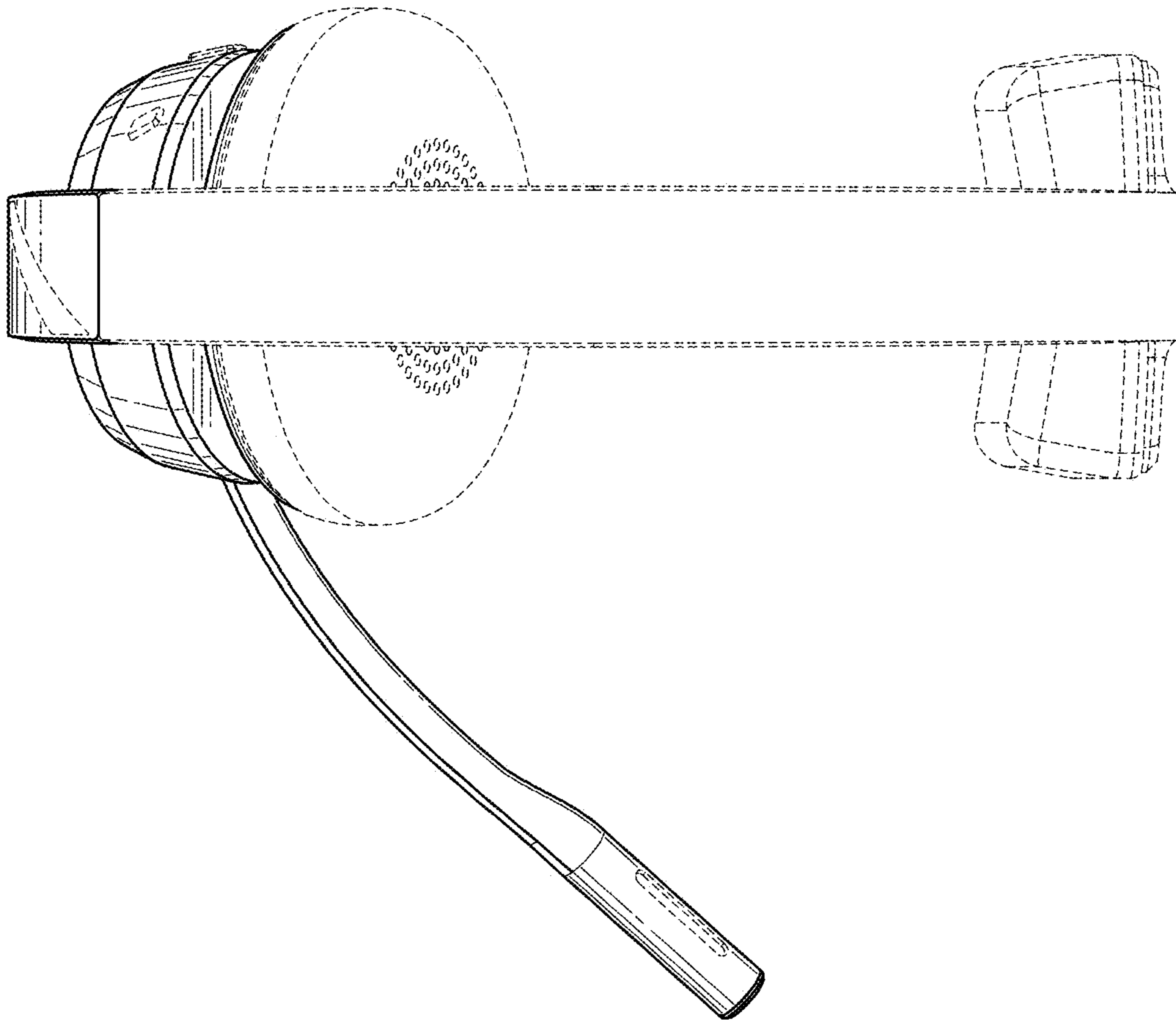


FIG. 7

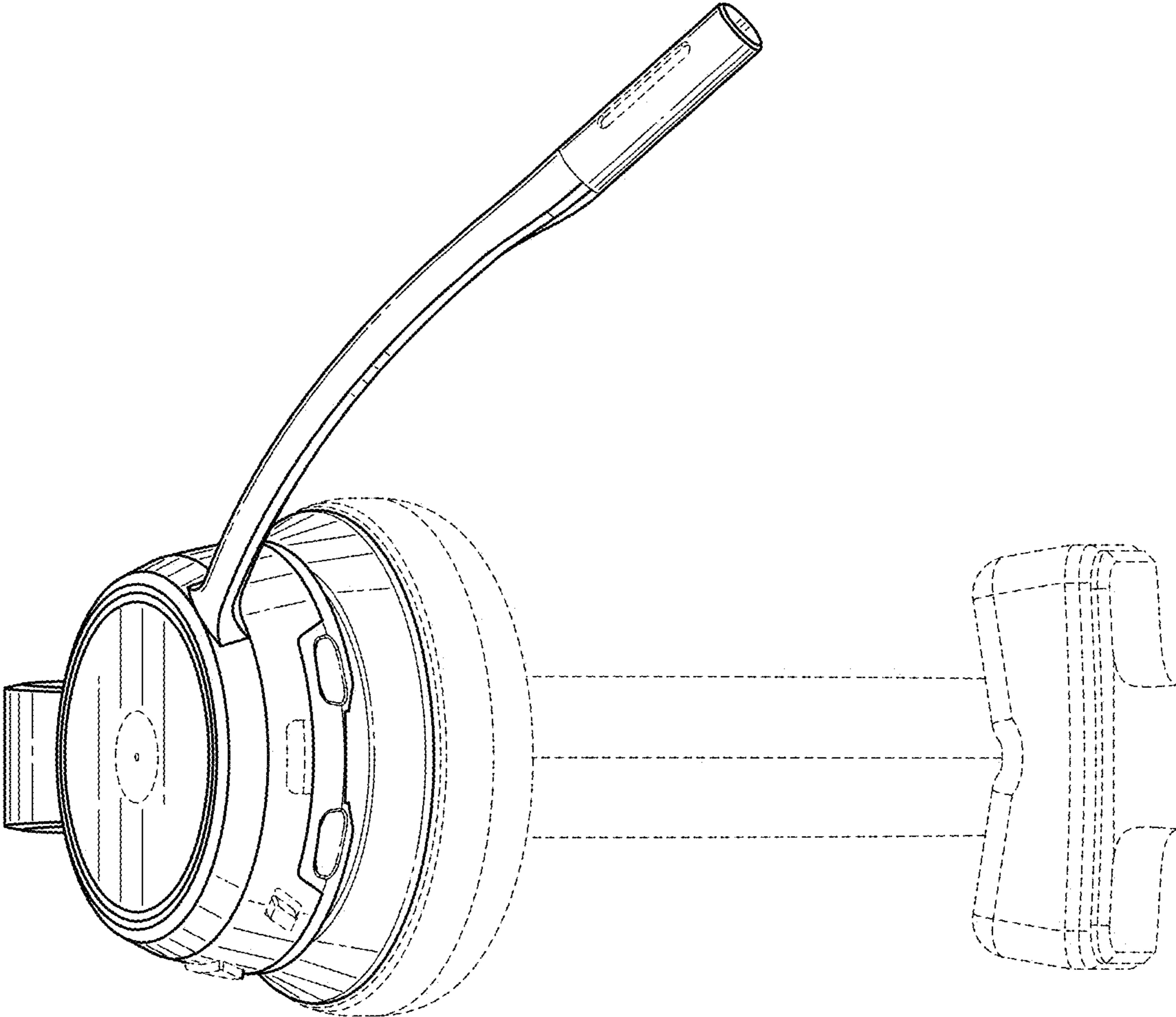


FIG. 8