



US00D969103S

(12) **United States Design Patent**  
**Tang et al.**

(10) **Patent No.:** **US D969,103 S**  
(45) **Date of Patent:** **\*\* Nov. 8, 2022**

(54) **EARPHONE**

- (71) Applicant: **OnePlus Technology (Shenzhen) Co., Ltd.**, Shenzhen (CN)
- (72) Inventors: **Mingjie Tang**, Shenzhen (CN); **Haoran Liu**, Shenzhen (CN)
- (73) Assignee: **ONEPLUS TECHNOLOGY (SHENZHEN) CO., LTD.**, Shenzhen (CN)
- (\*\*) Term: **15 Years**

(21) Appl. No.: **29/765,592**

(22) Filed: **Jan. 9, 2021**

(30) **Foreign Application Priority Data**

Sep. 9, 2020 (CN) ..... 202030532245.5

(51) **LOC (13) Cl.** ..... **14-01**

(52) **U.S. Cl.**  
USPC ..... **D14/205**

(58) **Field of Classification Search**  
USPC ..... D14/205, 223, 218; D24/174;  
128/864-866; 381/380-381, 378, 374  
CPC .... H04R 1/1033; H04R 25/00; H04R 1/1066;  
H04R 1/1016; H04R 1/105; H04R 5/033;  
H04R 5/0335; H04R 1/1083; H04R  
1/1091

See application file for complete search history.

(56) **References Cited**

**U.S. PATENT DOCUMENTS**

- 2,529,701 A \* 11/1950 Maloff ..... G03B 21/625  
524/297
- 2,875,543 A \* 3/1959 Sylvester ..... B44F 1/00  
264/293
- 2,958,148 A \* 11/1960 Sylvester ..... B44F 3/00  
264/293
- D318,670 S \* 7/1991 Taniguchi ..... D14/223

(Continued)

**FOREIGN PATENT DOCUMENTS**

- CN 306175138 \* 11/2020
- CN 307266106 \* 4/2022

(Continued)

*Primary Examiner* — Paula Allen Greene

(74) *Attorney, Agent, or Firm* — Hodgson Russ LLP

(57) **CLAIM**

The ornamental design for an earphone, as shown and described.

**DESCRIPTION**

FIG. 1 is a front view of an earphone showing our new design;

FIG. 2 is a left side elevational view thereof;

FIG. 3 is a right side elevational view thereof;

FIG. 4 is a top plan view thereof;

FIG. 5 is a bottom plan view thereof;

FIG. 6 is an enlarged view of area 6 circumscribed in FIG. 1;

FIG. 7 is an enlarged view of area 7 circumscribed in FIG. 1;

FIG. 8 is an enlarged view of area 8 circumscribed in FIG. 2;

FIG. 9 is an enlarged view of area 9 circumscribed in FIG. 3;

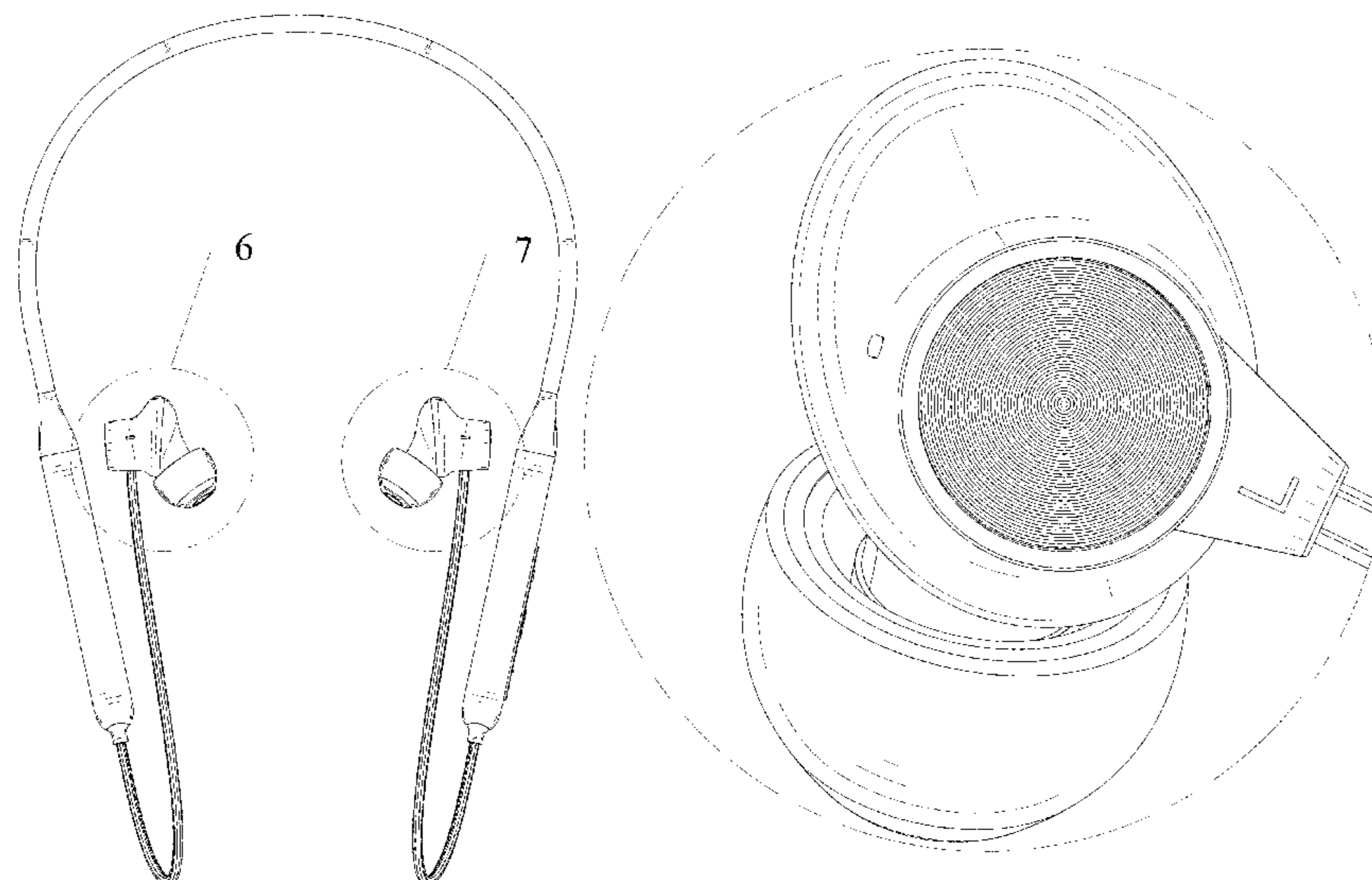
FIG. 10 is an enlarged view of area 10 circumscribed in FIG. 5; and,

FIG. 11 is an enlarged view of area 11 circumscribed in FIG. 5.

The dot dash broken lines surrounding portions of the earphones in FIGS. 1, 2, 3, and 5 and illustrated in the enlarged views of FIGS. 6, 7, 8, 9, 10, and 11 form no part of the claimed design.

The oblique shade lines in the drawings show transparency.

**1 Claim, 11 Drawing Sheets**



(56)

References Cited

U.S. PATENT DOCUMENTS

D473,217 S \* 4/2003 Rivera ..... D14/223  
 D539,782 S \* 4/2007 Lee ..... D14/188  
 D564,495 S \* 3/2008 Sasaki ..... D14/223  
 D569,841 S \* 5/2008 Chung ..... D14/205  
 D586,332 S \* 2/2009 Ewert ..... D14/223  
 D587,680 S \* 3/2009 Komiyama ..... D14/205  
 D587,681 S \* 3/2009 Yanai ..... D14/205  
 D589,493 S \* 3/2009 Densho ..... D14/206  
 D599,778 S \* 9/2009 Ando ..... D14/205  
 D605,170 S \* 12/2009 Keinanen ..... D14/205  
 D605,628 S \* 12/2009 Ando ..... D14/205  
 D637,998 S \* 5/2011 Brunner ..... D14/205  
 8,363,875 B2 \* 1/2013 Ito ..... H04R 1/1066  
 381/379  
 D678,251 S \* 3/2013 Cantoni ..... D14/223  
 8,422,717 B2 \* 4/2013 Lin ..... H04R 1/1091  
 381/372  
 D685,750 S \* 7/2013 Nakagawa ..... D13/168  
 D685,764 S \* 7/2013 Coulter ..... D14/205  
 D692,409 S \* 10/2013 Takeno ..... D14/205  
 D698,750 S \* 2/2014 Yoon ..... D14/206  
 D698,760 S \* 2/2014 Lee ..... D14/223  
 8,743,533 B2 \* 6/2014 Stanley ..... H05K 5/023  
 381/384  
 D711,356 S \* 8/2014 Yang ..... D14/223  
 D712,371 S \* 9/2014 Henning ..... D14/205  
 D712,884 S \* 9/2014 Krauss ..... D14/223  
 D721,673 S \* 1/2015 Park ..... D14/205  
 D722,040 S \* 2/2015 Tan ..... D14/205  
 D725,625 S \* 3/2015 Hsieh ..... D14/205  
 D726,145 S \* 4/2015 Hsieh ..... D14/205  
 D727,871 S \* 4/2015 Orbach ..... D14/205  
 D729,775 S \* 5/2015 Seo ..... D14/223

D745,489 S \* 12/2015 Bjelle ..... D14/205  
 D756,959 S \* 5/2016 Lee ..... D14/205  
 D760,189 S \* 6/2016 Loh Jun Kern ..... D14/205  
 D771,587 S \* 11/2016 Iwane ..... D14/205  
 D774,017 S \* 12/2016 Ahn ..... D14/205  
 D796,473 S \* 9/2017 Kim ..... D14/205  
 D812,038 S \* 3/2018 Nakajima ..... D14/205  
 D817,301 S \* 5/2018 Aoyagi ..... D14/205  
 D822,009 S \* 7/2018 Matoba ..... D14/223  
 D838,258 S \* 1/2019 Hsieh ..... D14/223  
 D839,238 S \* 1/2019 Hu ..... D14/205  
 D840,972 S \* 2/2019 Luo ..... D14/205  
 D845,272 S \* 4/2019 Birger ..... D14/205  
 D850,407 S \* 6/2019 Li ..... D14/223  
 D855,581 S \* 8/2019 Li ..... D14/205  
 D865,707 S \* 11/2019 Bian ..... D14/223  
 D876,386 S \* 2/2020 Birger ..... D14/206  
 D907,599 S \* 1/2021 Dryden ..... D14/205  
 D920,951 S \* 6/2021 Dryden ..... D14/205  
 D943,547 S \* 2/2022 Sasaki ..... D14/205  
 D962,892 \* 9/2022 Guo ..... D14/205  
 2012/0057738 A1 \* 3/2012 Lin ..... H04R 1/1091  
 381/370  
 2016/0205458 A1 \* 7/2016 Huang ..... H04R 1/1016  
 381/380  
 2018/0041826 A1 \* 2/2018 Toosi ..... H04R 1/1016  
 2019/0020942 A1 \* 1/2019 Tang ..... H04R 1/1041  
 2019/0313177 A1 \* 10/2019 Shiang ..... H04R 1/1033

FOREIGN PATENT DOCUMENTS

CN 307369581 \* 5/2022  
 EM 008375554-0001 \* 12/2020  
 IN 337914-001-0001 \* 1/2021

\* cited by examiner

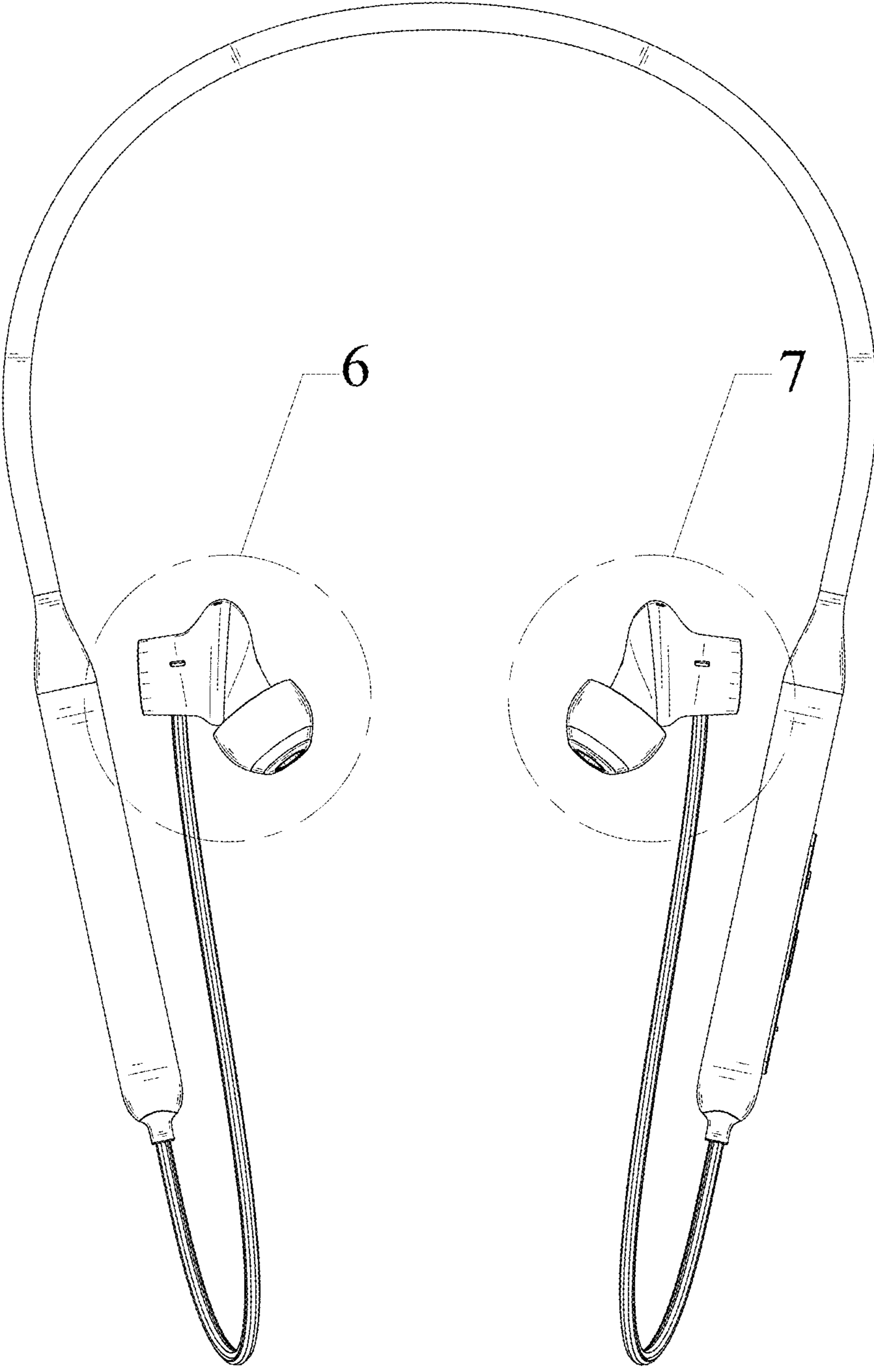


FIG. 1

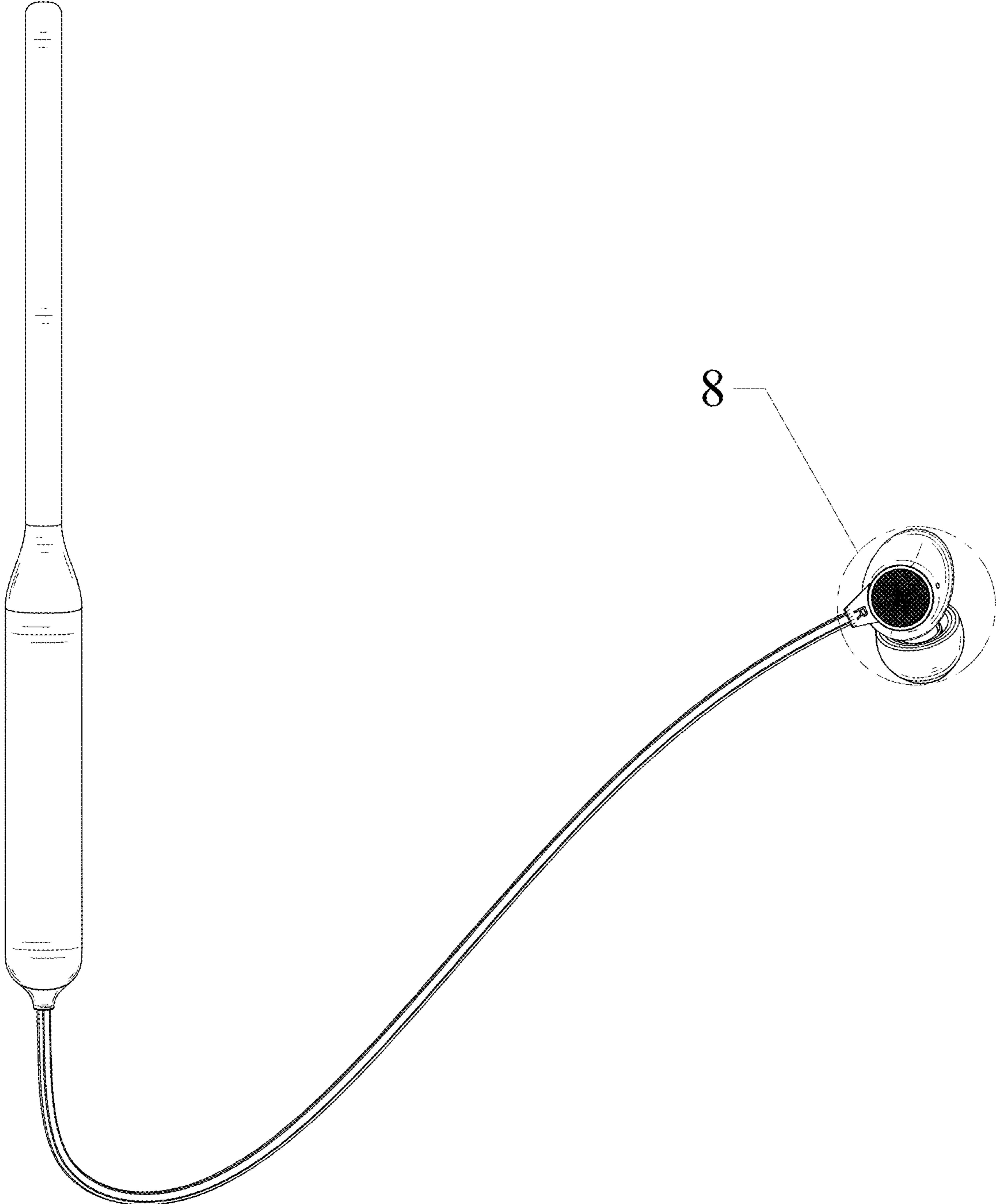


FIG. 2

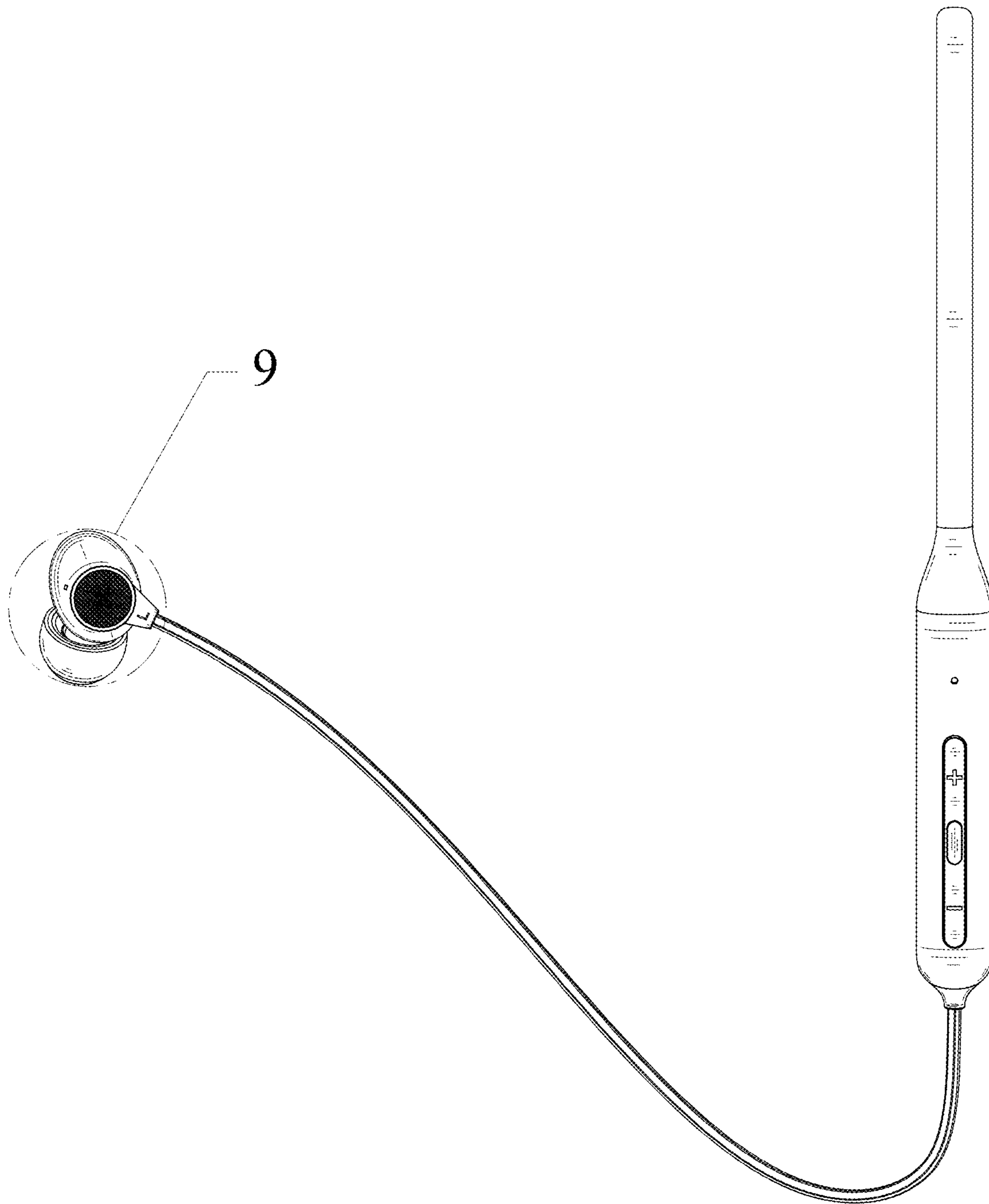


FIG. 3

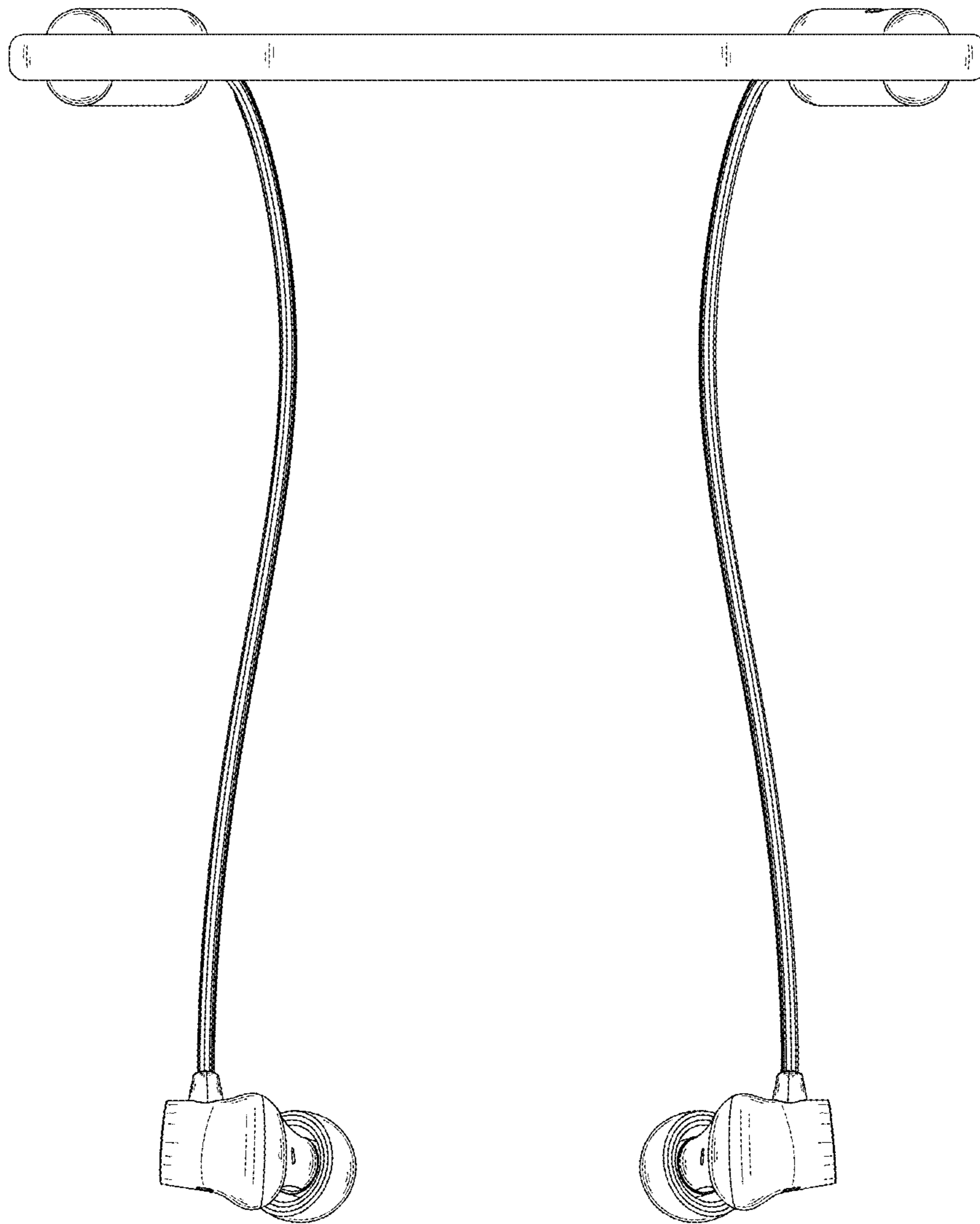


FIG. 4

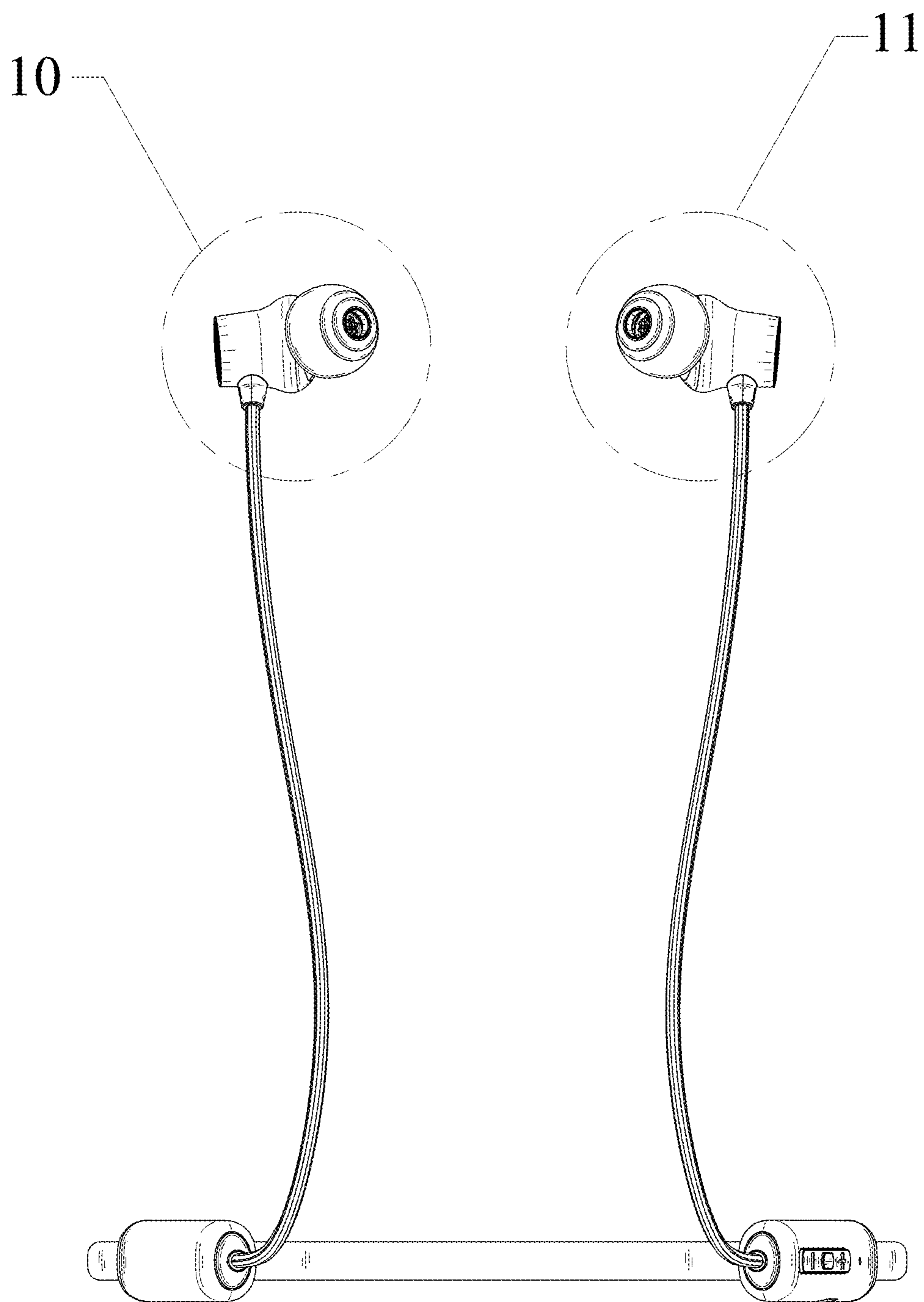


FIG. 5

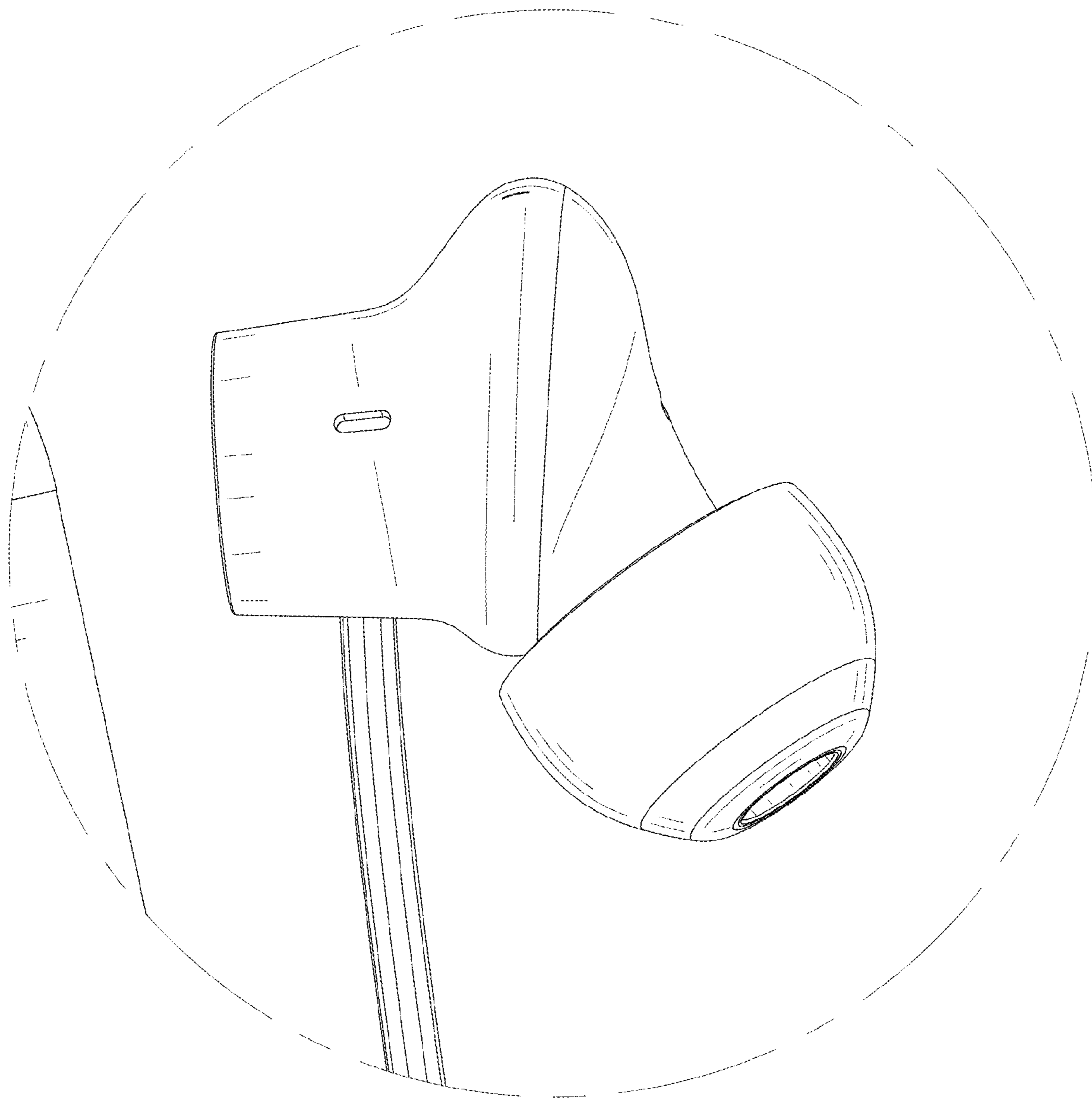


FIG. 6



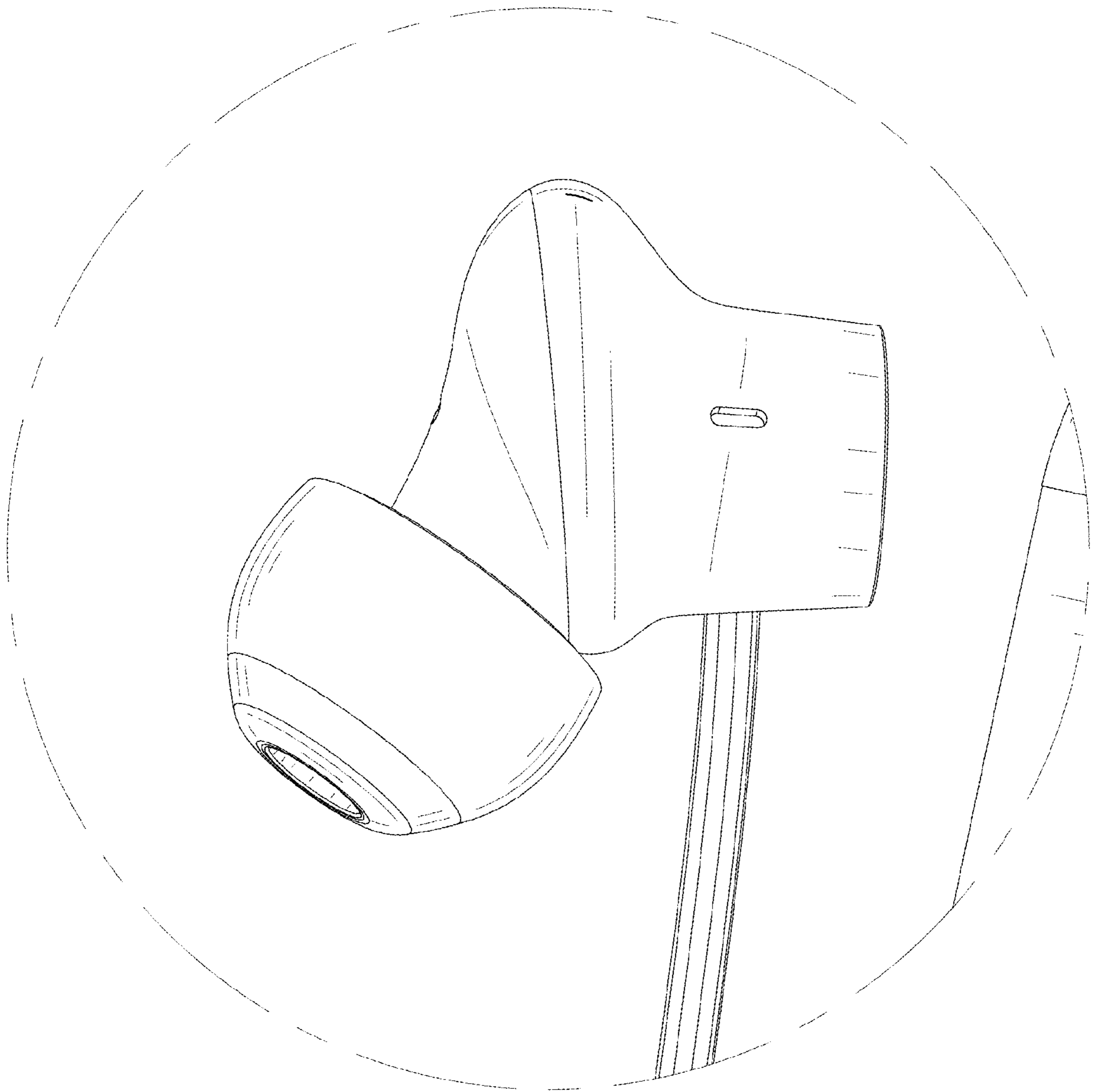


FIG. 7

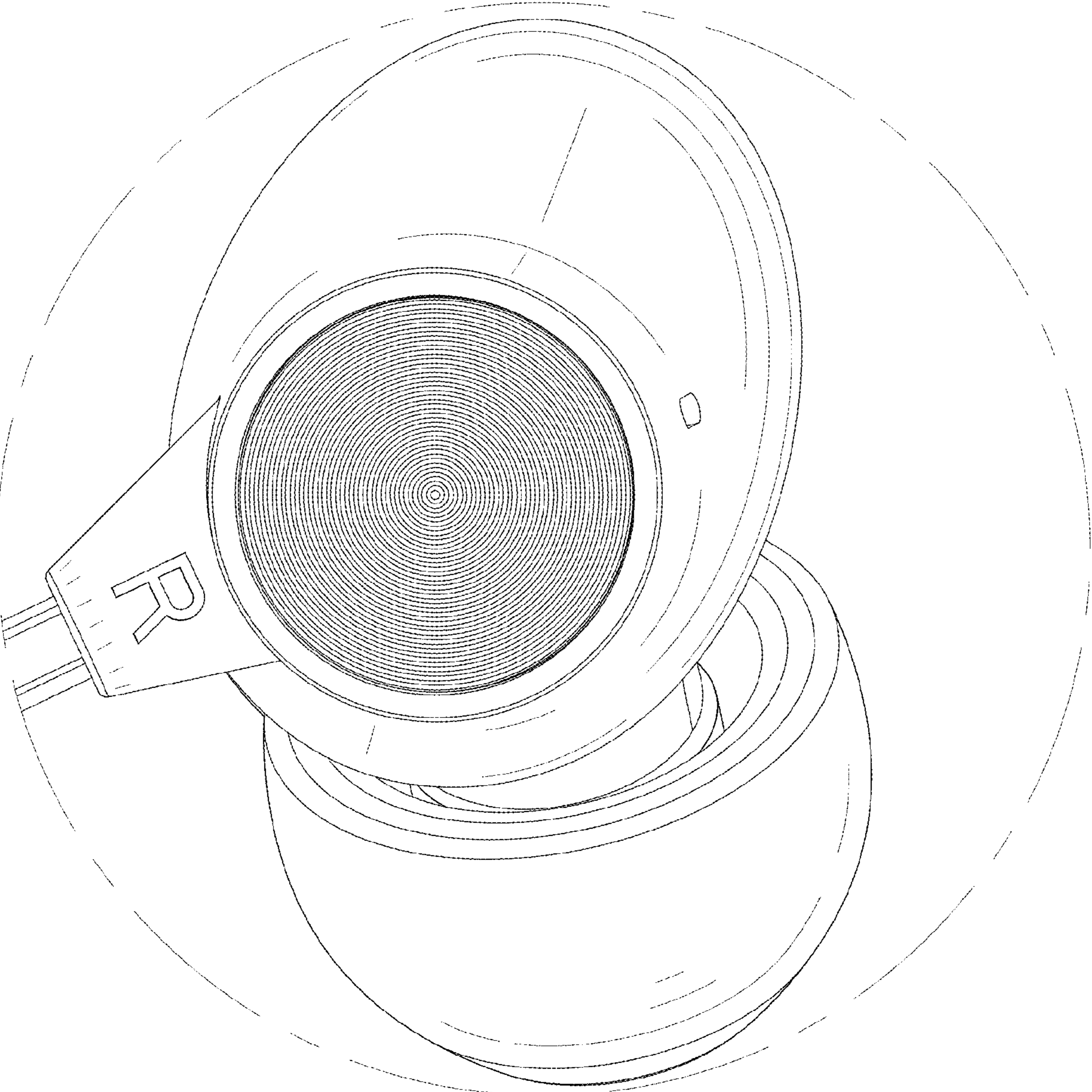


FIG. 8

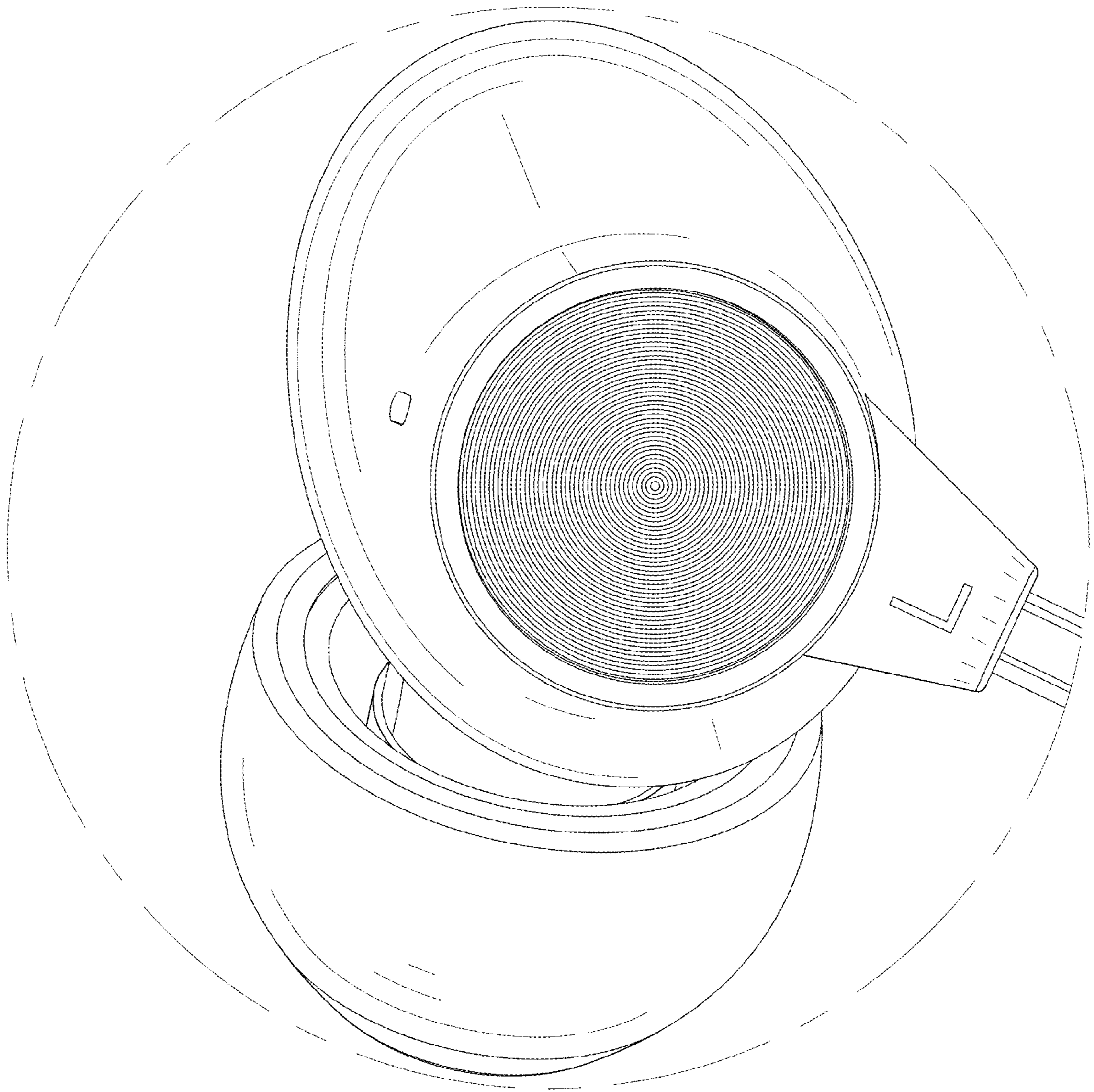


FIG. 9

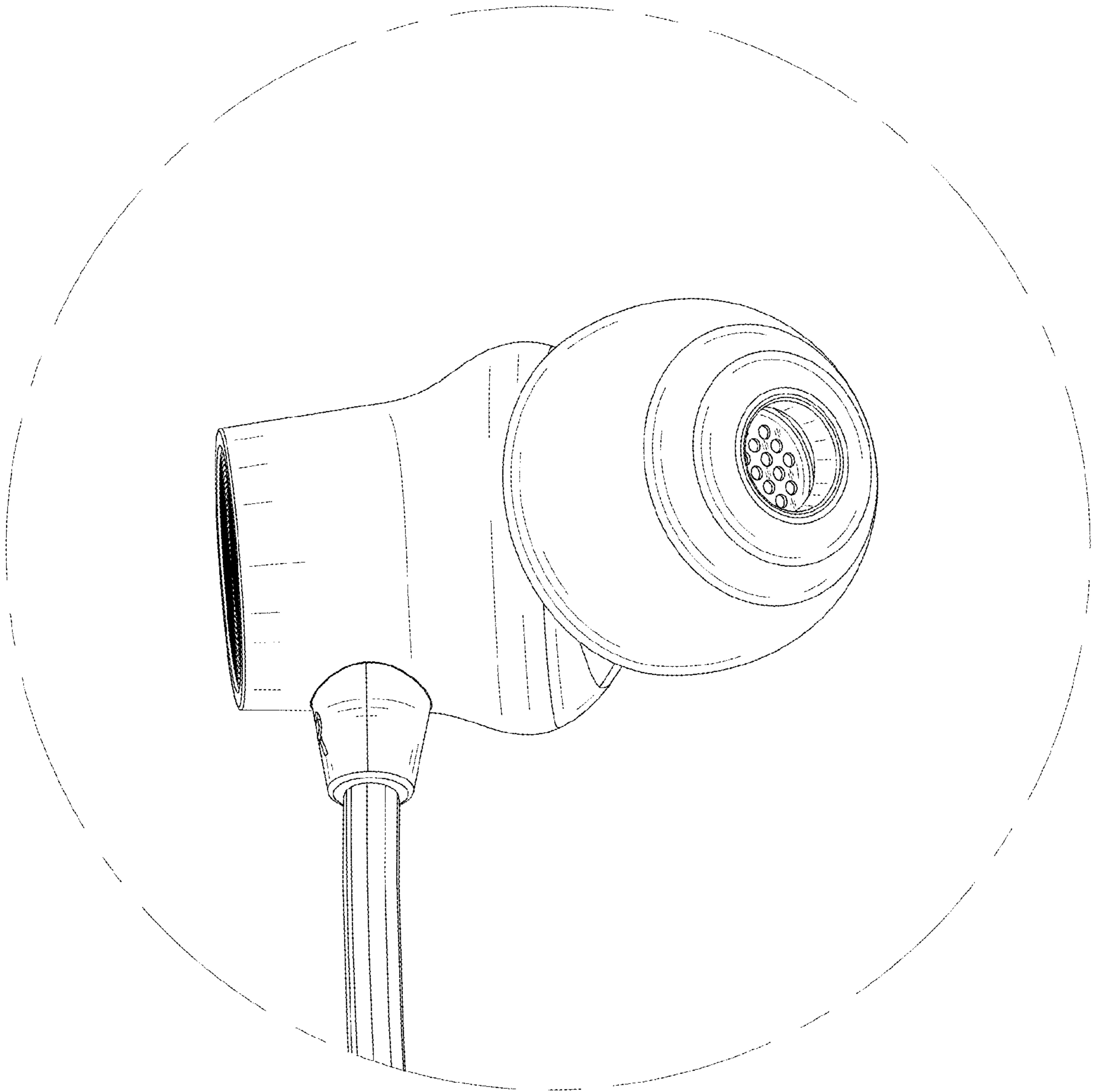


FIG. 10

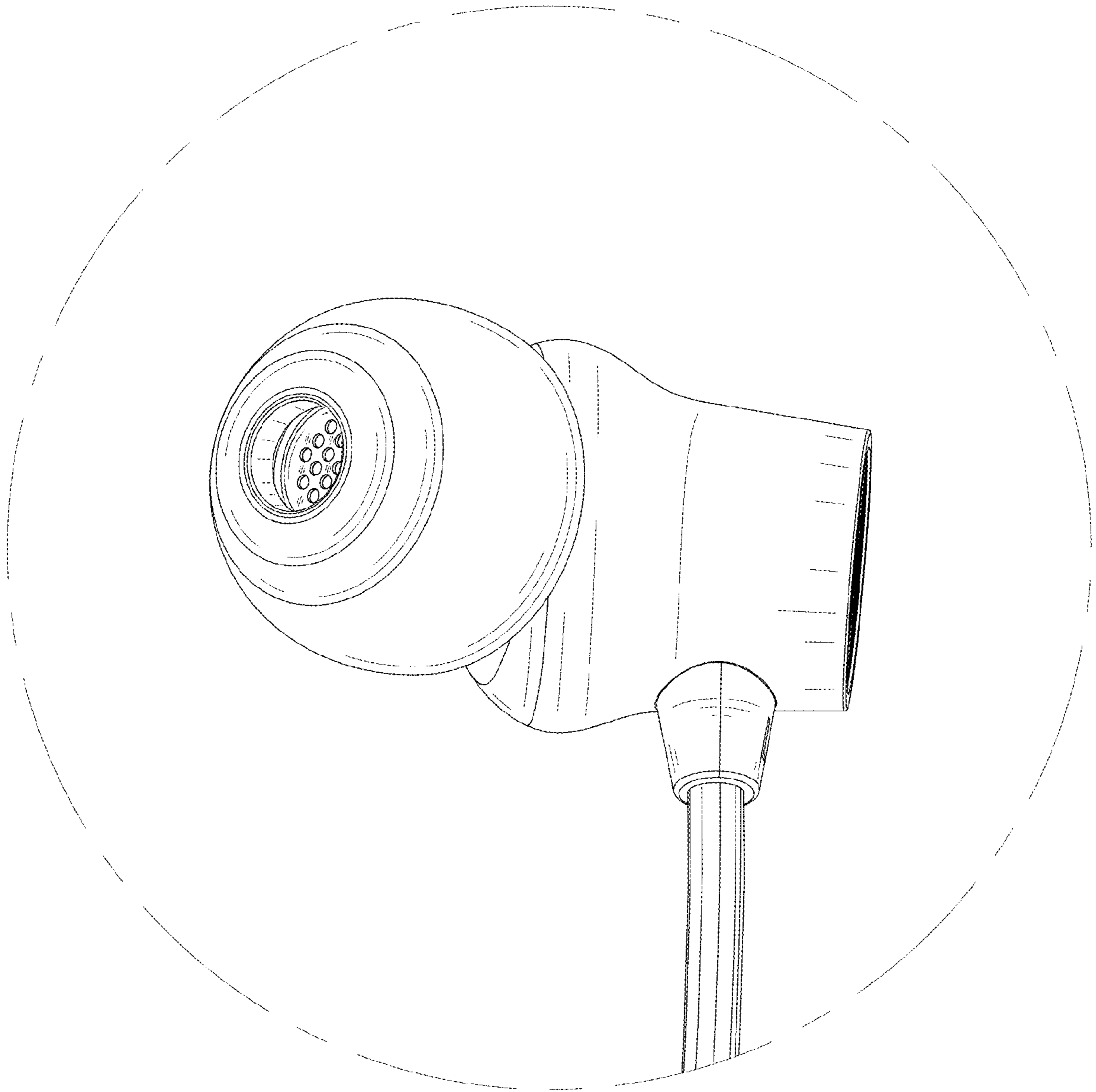


FIG. 11