



US00D969101S

(12) **United States Design Patent** (10) **Patent No.:** **US D969,101 S**
Miao (45) **Date of Patent:** **** Nov. 8, 2022**

(54) **FM TRANSMITTER**
(71) Applicant: **Foshan DUISHU E-Commerce Co., Ltd.**, Foshan (CN)
(72) Inventor: **Yatong Miao**, Lianjiang (CN)
(**) Term: **15 Years**
(21) Appl. No.: **29/811,800**
(22) Filed: **Oct. 17, 2021**
(51) **LOC (13) Cl.** **14-03**
(52) **U.S. Cl.**
USPC **D14/155**
(58) **Field of Classification Search**
USPC D14/167, 154, 168, 188, 496, 156, 160,
D14/161, 162, 163, 164, 165, 158, 341,
D14/346, 342, 345, 137, 155, 218, 225;
D16/208; D26/38; 455/351, 350;
D10/104.1, 106, 65
CPC H04B 1/385; H04M 1/6091; H04M 1/6066
See application file for complete search history.

D890,715 S 7/2020 Li
D898,696 S * 10/2020 Du D14/155
D898,697 S * 10/2020 Du D14/155
D909,329 S * 2/2021 Zhou D14/155
D921,603 S * 6/2021 Zhou D14/155
D929,956 S 9/2021 Ba
D932,455 S * 10/2021 Zhou D14/155
D945,391 S * 3/2022 Wei D14/155

* cited by examiner

Primary Examiner — Austin Murphy
(74) *Attorney, Agent, or Firm* — Xiaofang Zhong; Law Office of Xiaofang Zhong, PLLC

(57) **CLAIM**

The ornamental design for a FM transmitter, as shown and described.

DESCRIPTION

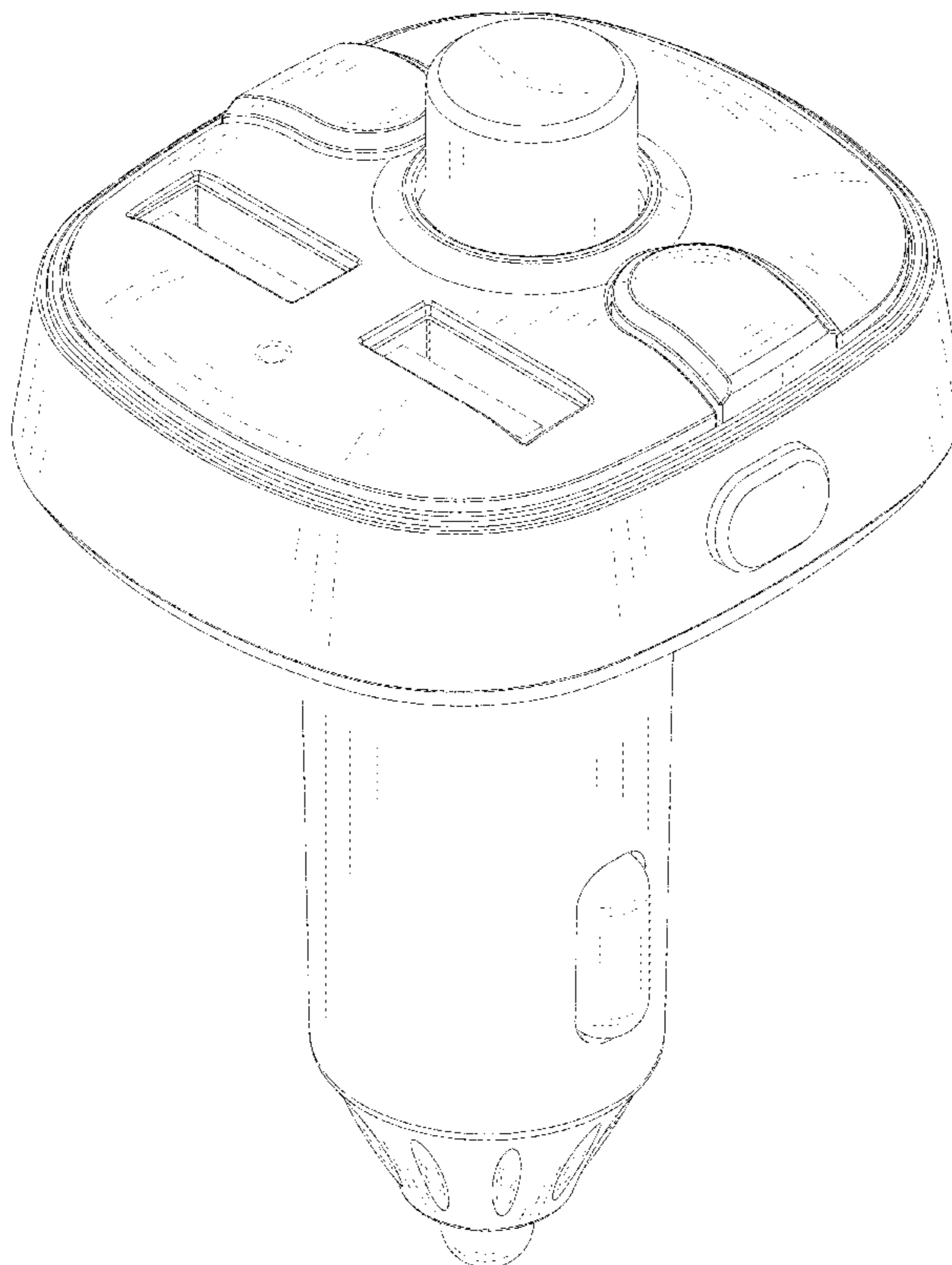
FIG. 1 is a perspective view of a FM transmitter showing my new design;
FIG. 2 is another perspective view of the FM transmitter thereof;
FIG. 3 is a front elevational view thereof;
FIG. 4 is a rear elevational view thereof;
FIG. 5 is a left view thereof;
FIG. 6 is a right view thereof;
FIG. 7 is a top plan view thereof; and,
FIG. 8 is a bottom plan view thereof.
The broken lines illustrate portions of the FM transmitter that form no part of the claimed design.

1 Claim, 8 Drawing Sheets

(56) **References Cited**

U.S. PATENT DOCUMENTS

D522,487 S 6/2006 Lee et al.
D530,280 S 10/2006 Krieger et al.
D842,261 S 3/2019 Che
D871,363 S * 12/2019 Tang D14/155
D873,234 S * 1/2020 Du D14/155
D875,062 S * 2/2020 Du D14/155
D875,063 S * 2/2020 Du D14/155



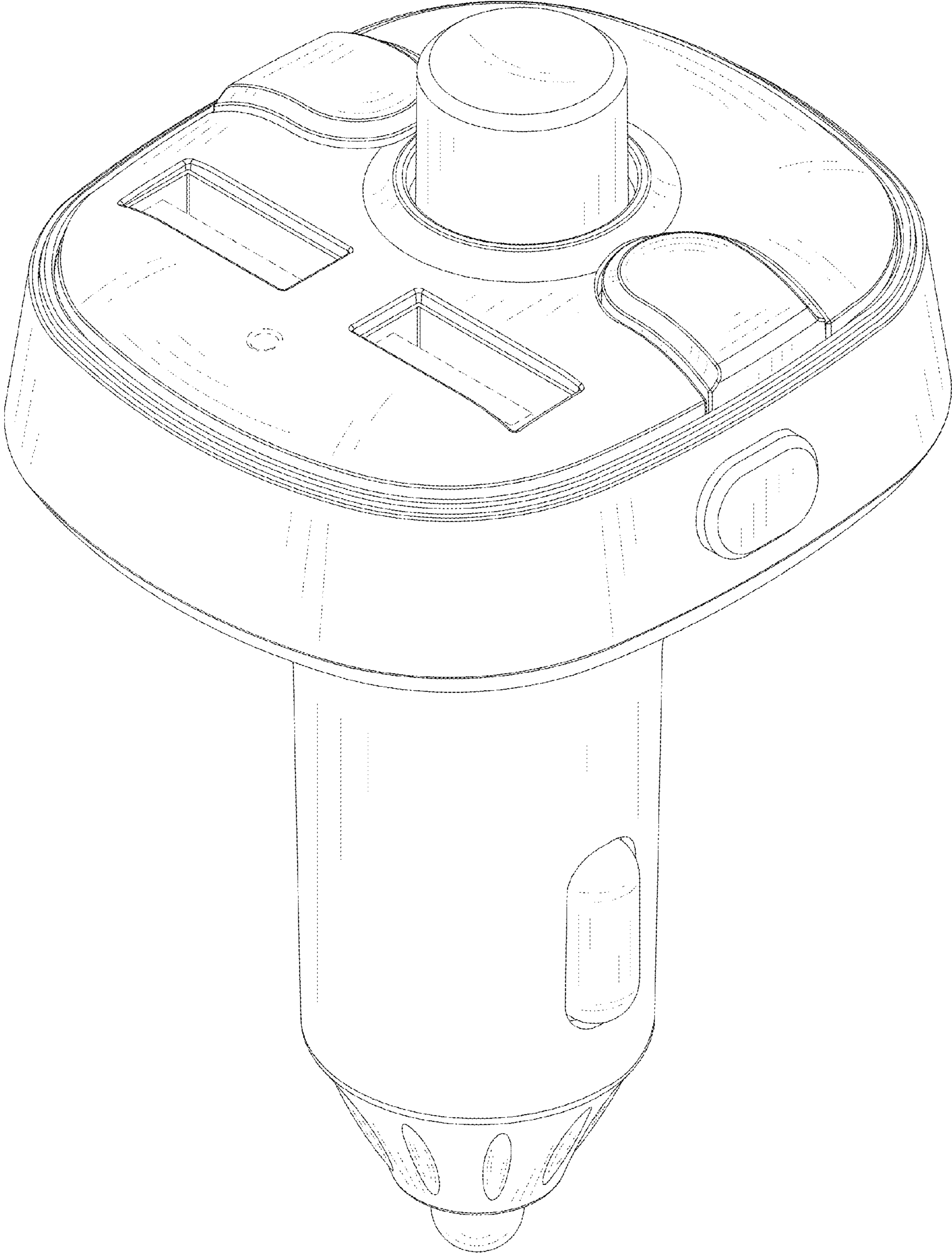


FIG.1

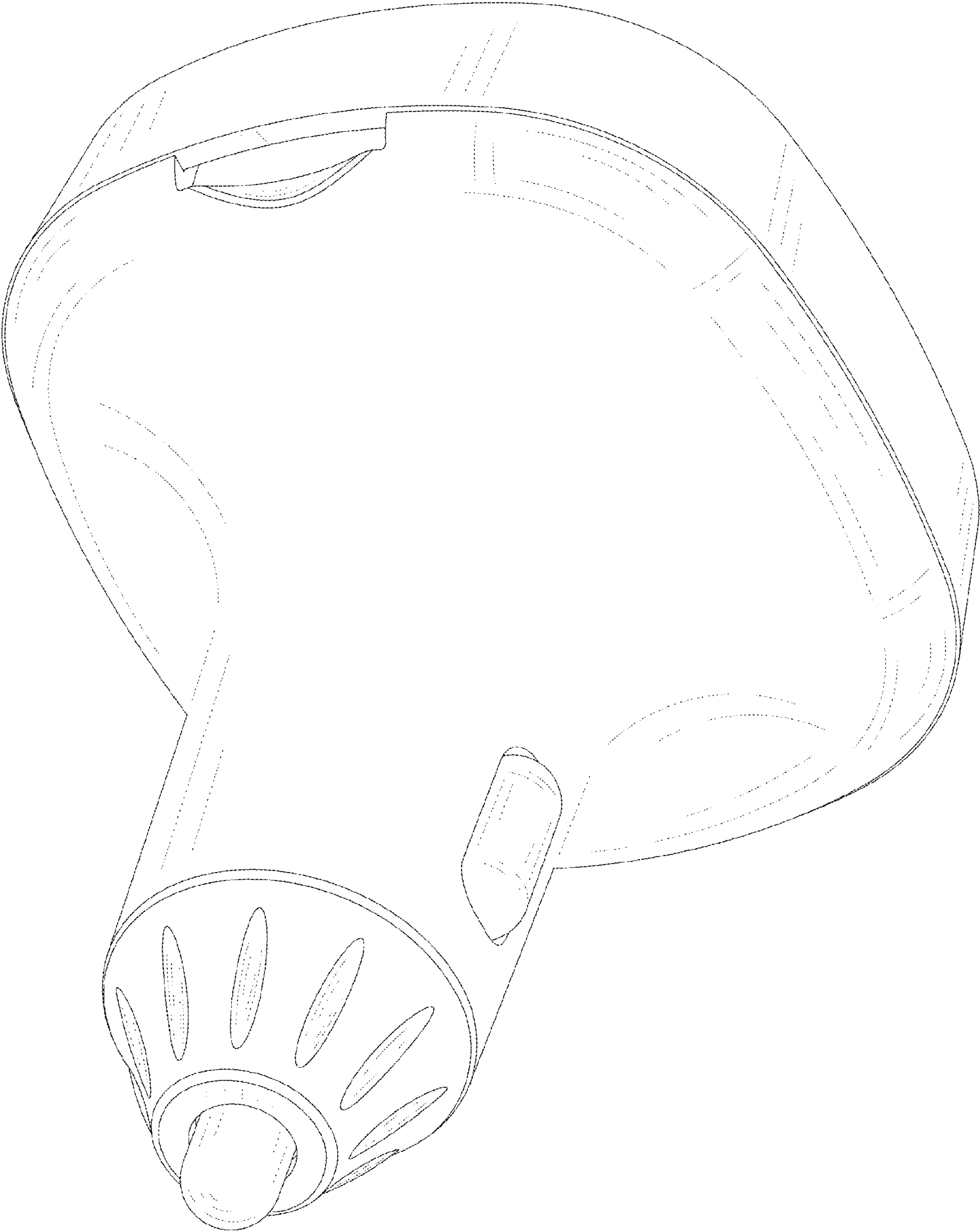


FIG. 2

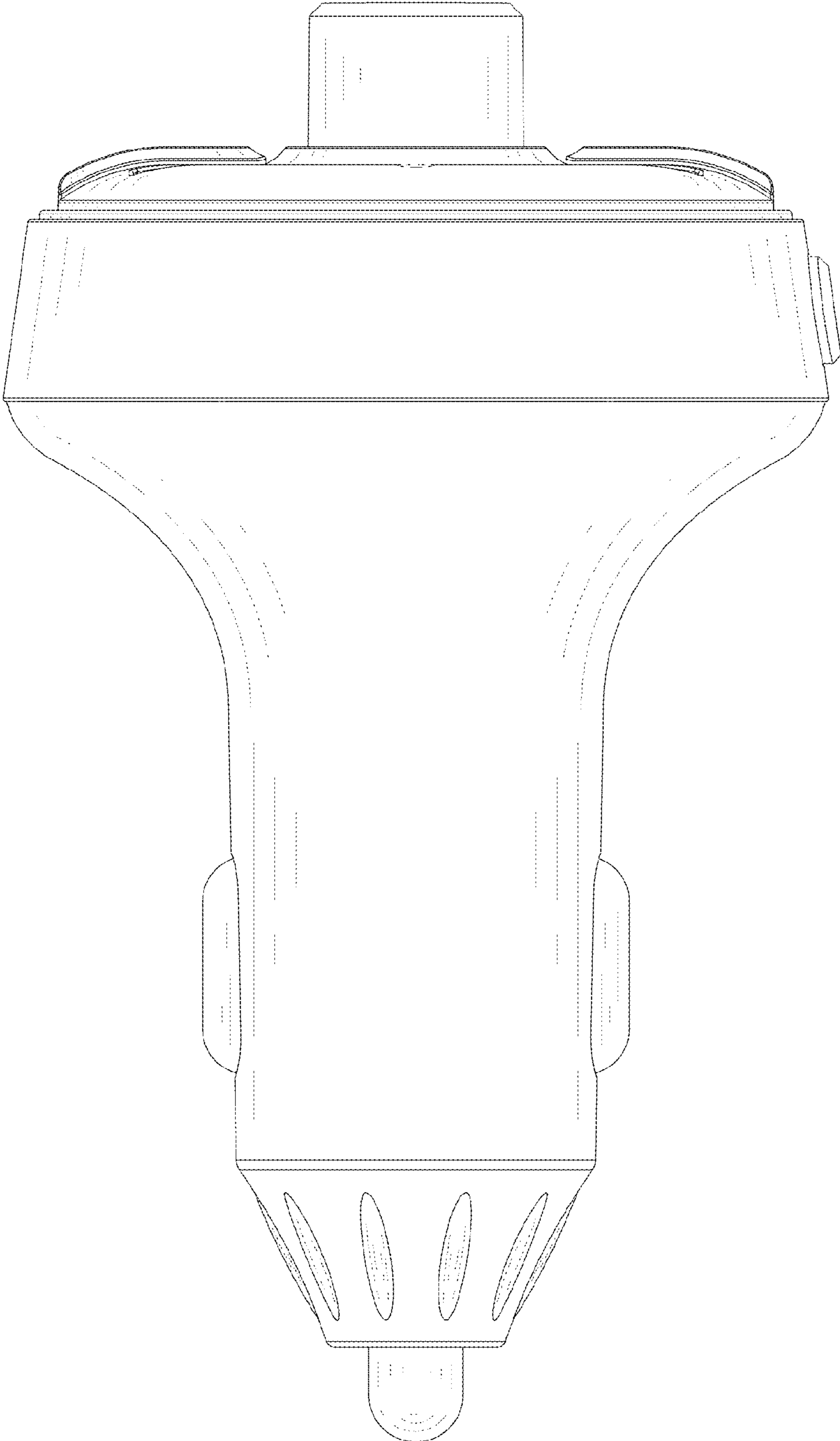


FIG. 3

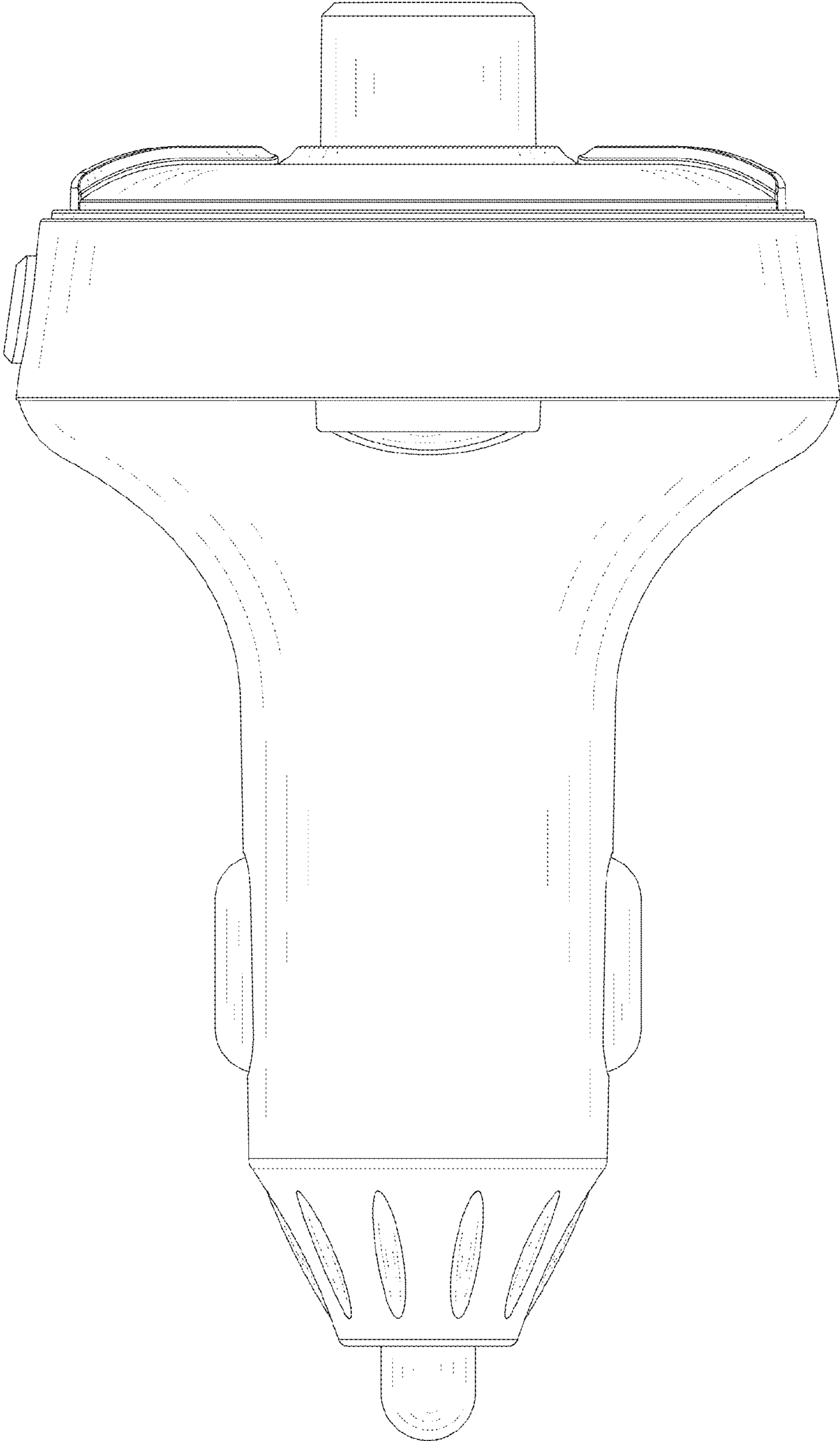


FIG. 4

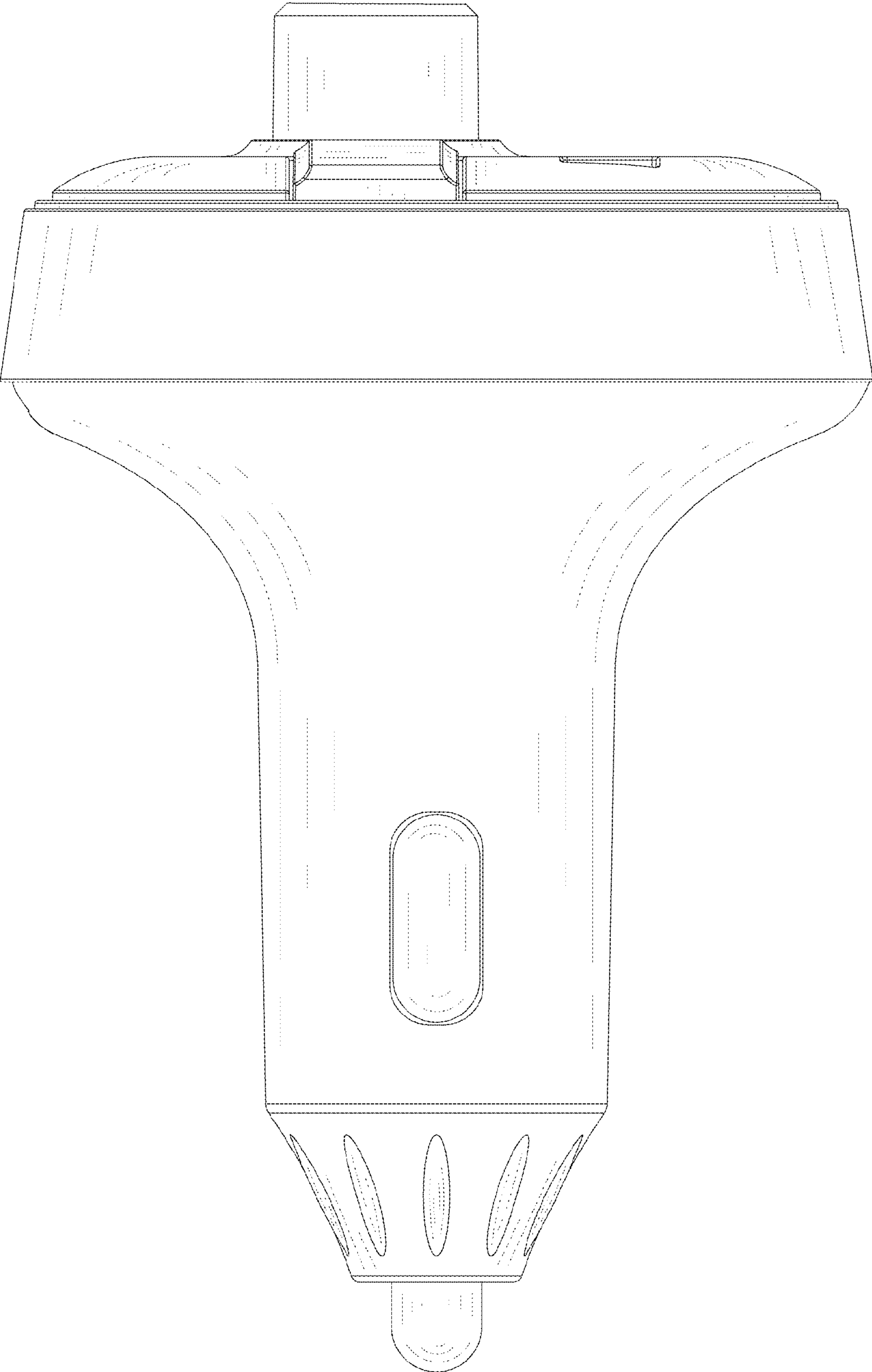


FIG. 5

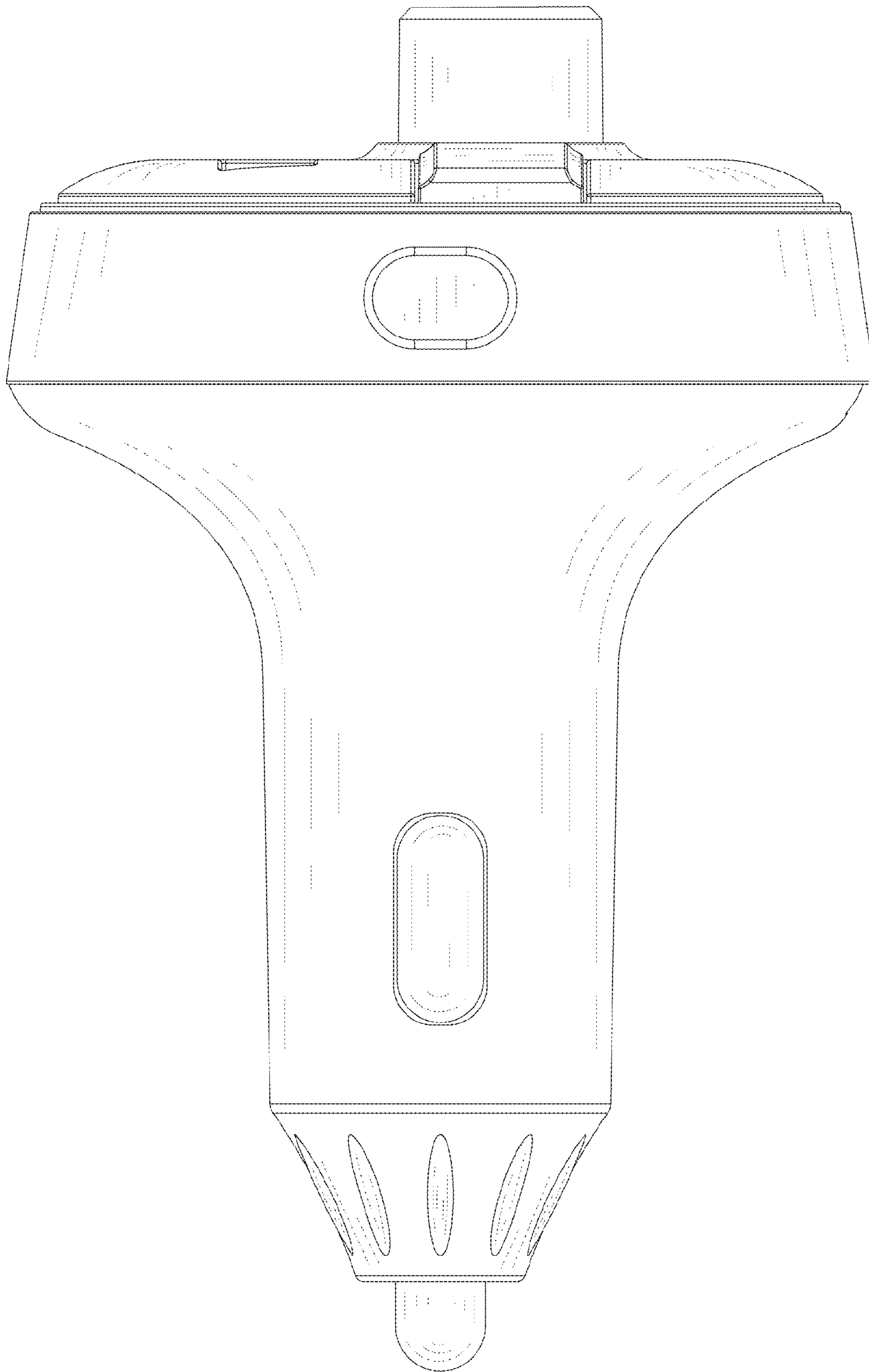


FIG. 6

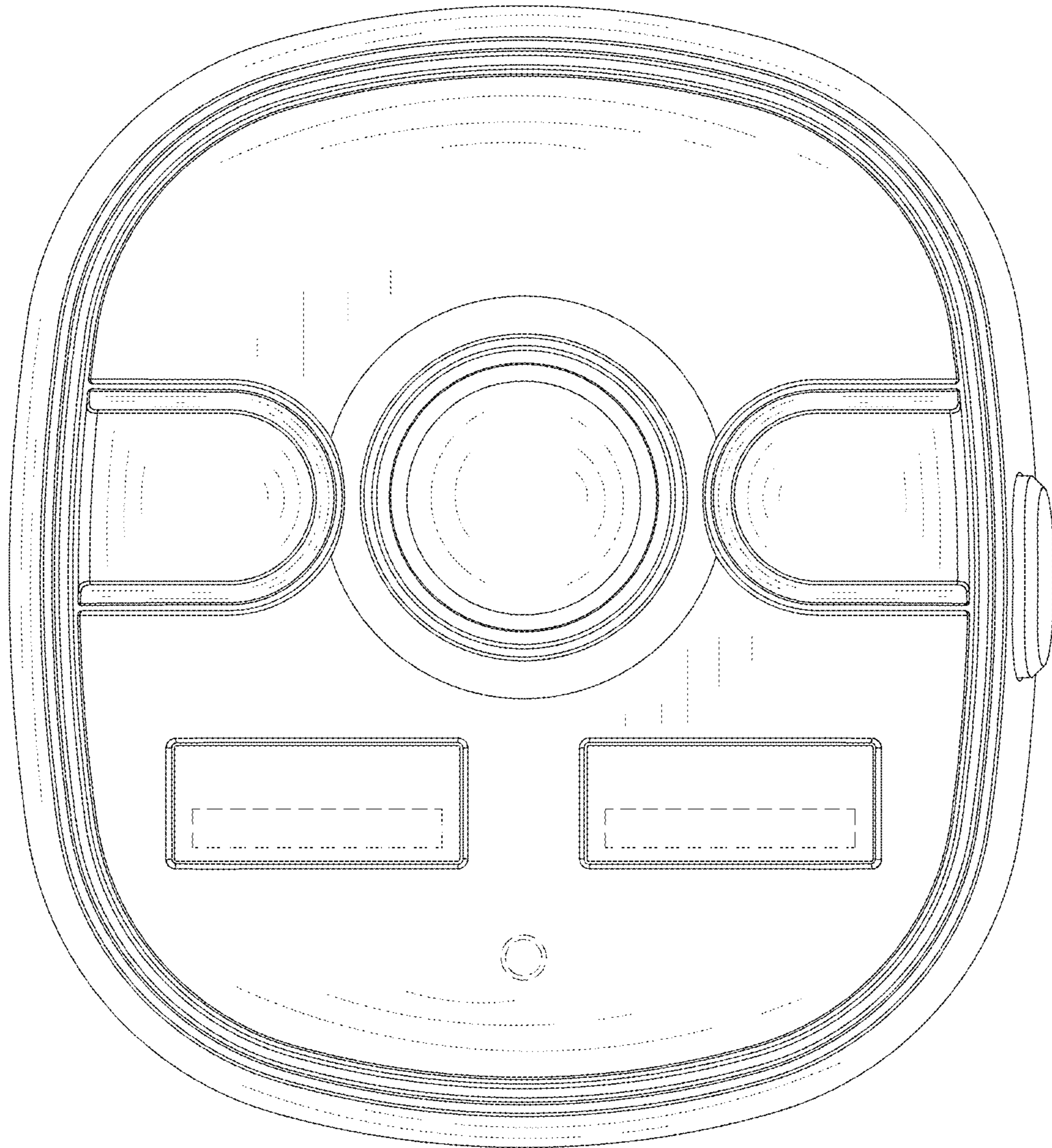


FIG. 7

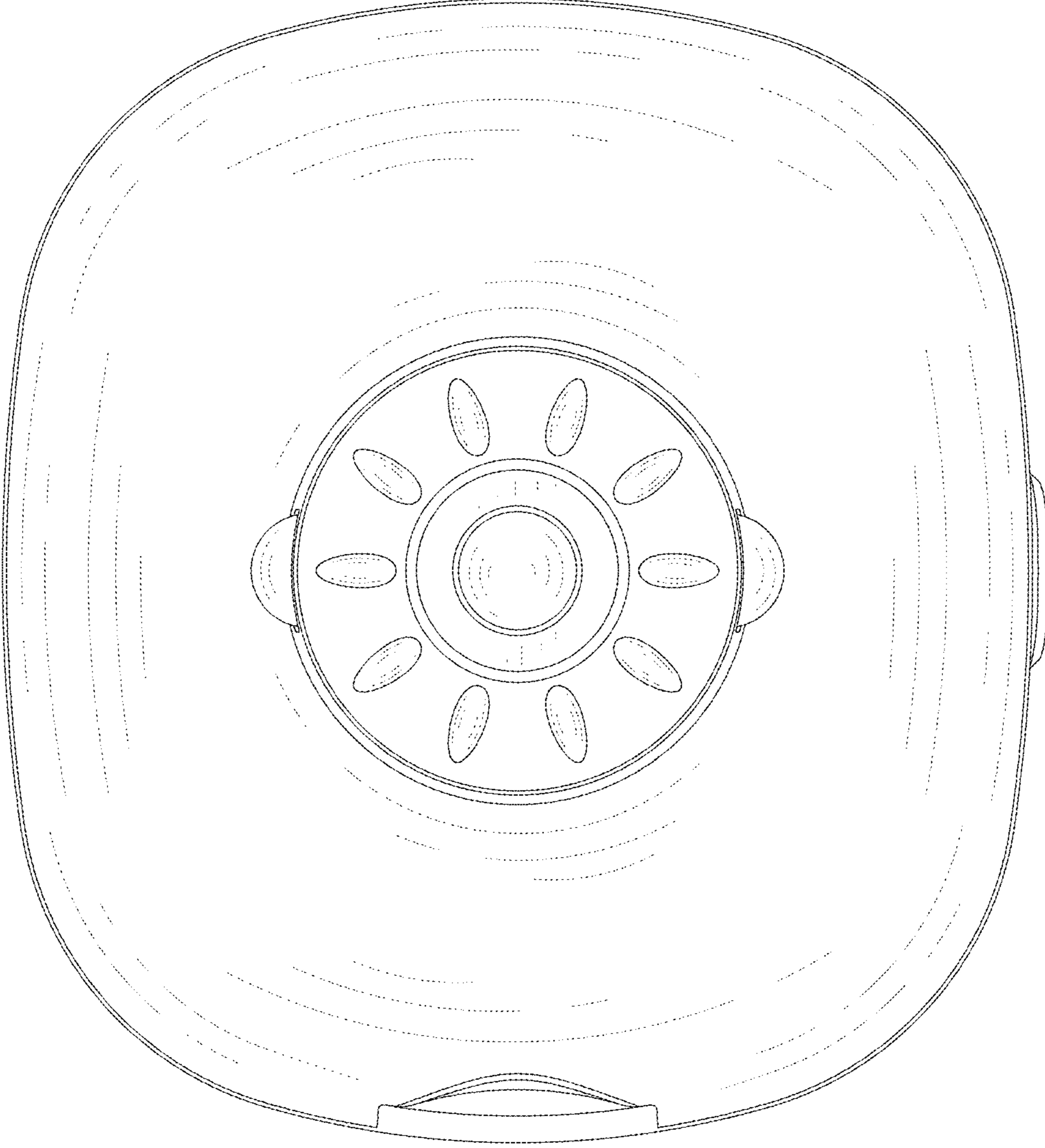


FIG. 8