



US00D969097S

(12) **United States Design Patent** (10) **Patent No.:** **US D969,097 S**  
**Wei** (45) **Date of Patent:** **\*\* Nov. 8, 2022**

(54) **INTELLIGENT COMMUNICATION  
TERMINAL**

(71) Applicant: **Shenzhen JESY Technology Co., Ltd.**,  
Shenzhen (CN)

(72) Inventor: **Jinshou Wei**, Shenzhen (CN)

(73) Assignee: **SHENZHEN JESY TECHNOLOGY  
CO., LTD.**, Shenzhen (CN)

(\*\*) Term: **15 Years**

(21) Appl. No.: **29/763,351**

(22) Filed: **Dec. 22, 2020**

(51) **LOC (13) Cl.** ..... **14-03**

(52) **U.S. Cl.**  
USPC ..... **D14/138 G**

(58) **Field of Classification Search**  
USPC ..... D14/138 R, 138 AA, 138 AB, 138 AC,  
D14/138 AD, 138 C, 138 G, 248, 341,  
D14/440, 250, 251, 217, 137; D10/50,  
D10/65, 104.1  
CPC ... G06F 1/1626; H04M 1/027; H04M 1/0202;  
H04M 1/0279; H04M 1/0235; H04M  
1/0237; H04M 1/0239; H04M 1/0266;  
H04M 1/0268; H04M 1/0295  
See application file for complete search history.

(56) **References Cited**

**U.S. PATENT DOCUMENTS**

- D629,772 S \* 12/2010 Mo ..... D14/138 G
- D629,773 S \* 12/2010 Lee ..... D14/138 G
- D648,332 S \* 11/2011 Kim ..... D14/248
- D654,460 S \* 2/2012 Kim ..... D14/138 G
- D703,174 S \* 4/2014 Suk ..... D14/138 G
- D707,644 S \* 6/2014 Asano ..... D14/138 G
- D716,294 S \* 10/2014 Park ..... D14/341
- D785,612 S \* 5/2017 Kim ..... D14/248
- D788,058 S \* 5/2017 Astheimer ..... D14/138 G

(Continued)

**OTHER PUBLICATIONS**

BC4900s Specs Blackview, date unknown, retrieved Mar. 24, 2022,  
available at URL: <https://www.blackview.hk/products/item/bv4900s> (Year: 2022).\*

(Continued)

*Primary Examiner* — Wendy L Arminio

*Assistant Examiner* — Carrie S Gelula

(74) *Attorney, Agent, or Firm* — Hemisphere Law, PLLC;  
Zhigang Ma

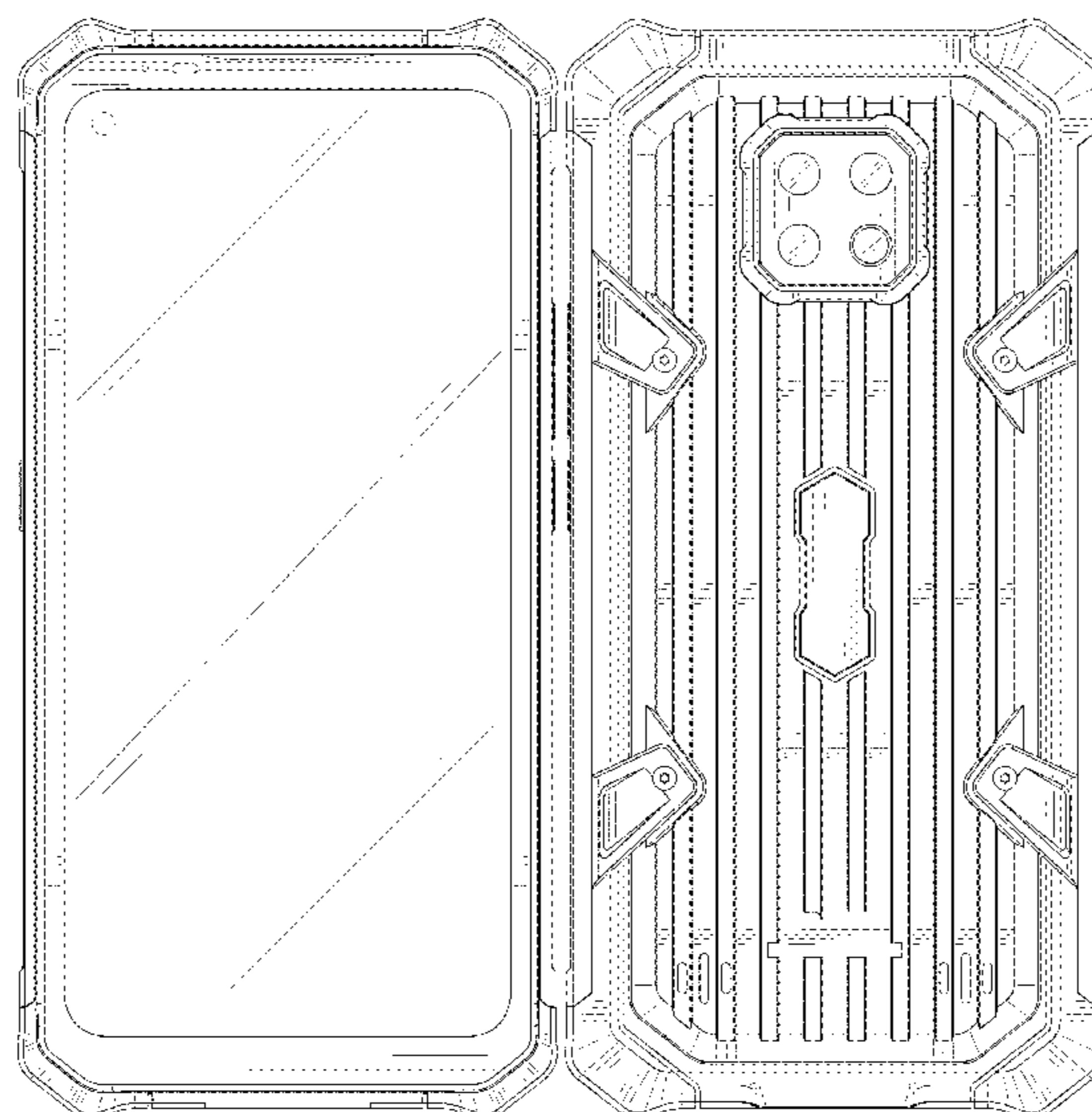
(57) **CLAIM**

The ornamental design for an intelligent communication terminal, as shown and described.

**DESCRIPTION**

FIG. 1 is a front perspective view of an intelligent communication terminal showing my new design;  
 FIG. 2 is another perspective view seen from the back side thereof;  
 FIG. 3 is a front elevational view thereof;  
 FIG. 4 is a rear elevational view thereof;  
 FIG. 5 is a left side elevational view thereof;  
 FIG. 6 is a right side elevational view thereof;  
 FIG. 7 is a top plan view thereof;  
 FIG. 8 is a bottom plan view thereof;  
 FIG. 9 is a partial enlarged view showing side buttons thereof, as designated by label 9 in FIG. 1;  
 FIG. 10 is a partial enlarged view showing back corner thereof, as designated by label 10 in FIG. 2; and,  
 FIG. 11 is a partial enlarged view showing partial lens assemblies thereof, as designated by label 11 in FIG. 2.  
 The evenly dashed broken lines depict portions of the intelligent communication terminal that form no part of the claimed design and also form the boundaries of the claim. The dot dash broken lines define the boundaries of the areas of the partial enlarged views and form no part of the claimed design.

**1 Claim, 11 Drawing Sheets**



(56)

**References Cited**

U.S. PATENT DOCUMENTS

D789,315 S \* 6/2017 Astheimer ..... D14/138 G  
D791,727 S \* 7/2017 Choi ..... D14/138 AA  
D793,389 S \* 8/2017 Kim ..... D14/341  
D795,214 S \* 8/2017 Tschopp ..... D14/138 G  
D800,083 S \* 10/2017 Park ..... D14/138 G  
D802,551 S \* 11/2017 Hunt ..... D14/138 G  
D886,074 S \* 6/2020 Wei ..... D14/138 G  
D890,713 S \* 7/2020 Xu ..... D14/138 G  
D899,410 S \* 10/2020 Xu ..... D14/248  
D933,062 S \* 10/2021 D'Ulisse ..... D14/341  
D944,752 S \* 3/2022 Higashide ..... D14/138 G

OTHER PUBLICATIONS

Modular Rugged Phone—Oukitel WP7, date unknown, retrieved  
Mar. 24, 2022, available at URL: <https://oukitel.com/pages/wp7>  
(Year: 2022).\*

\* cited by examiner

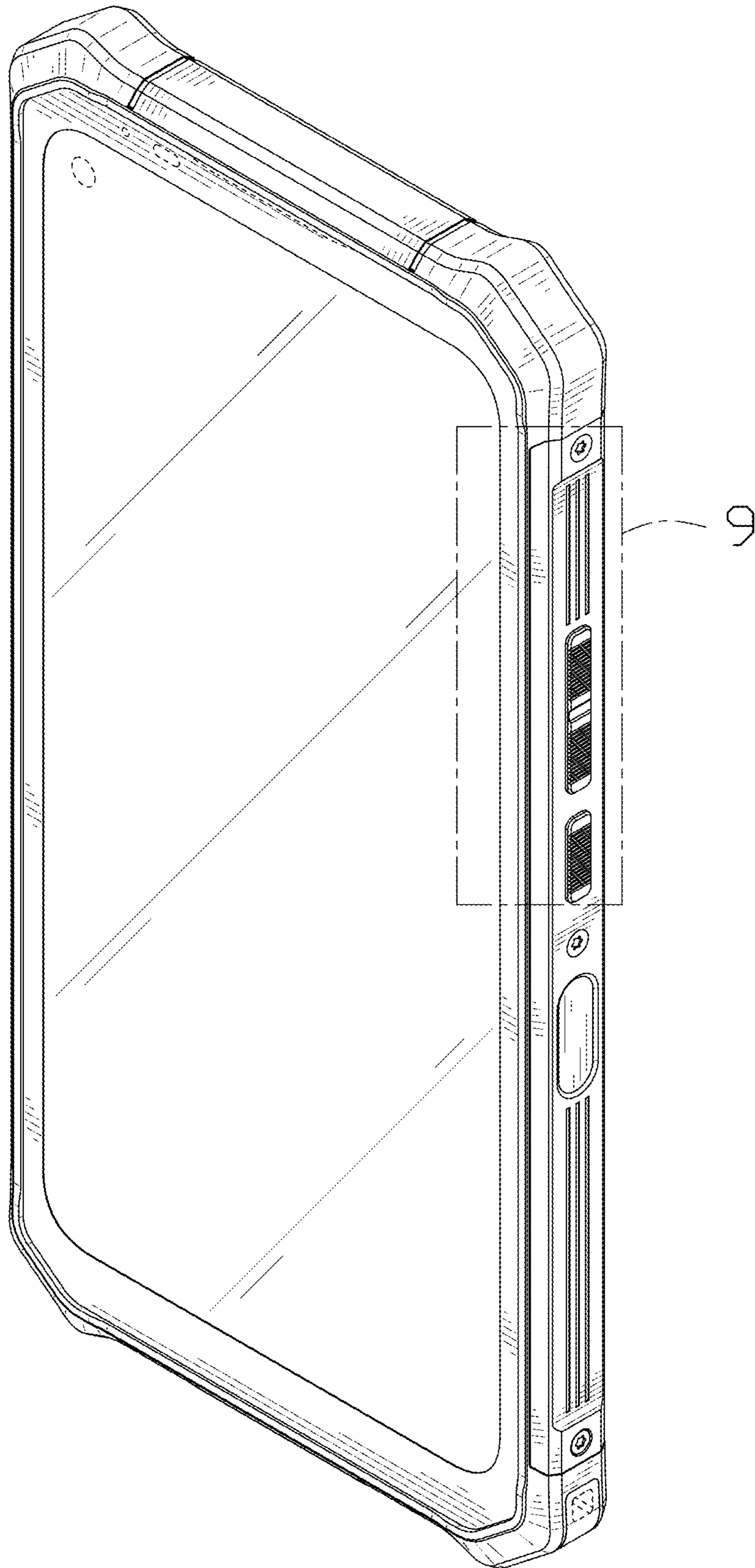


FIG. 1



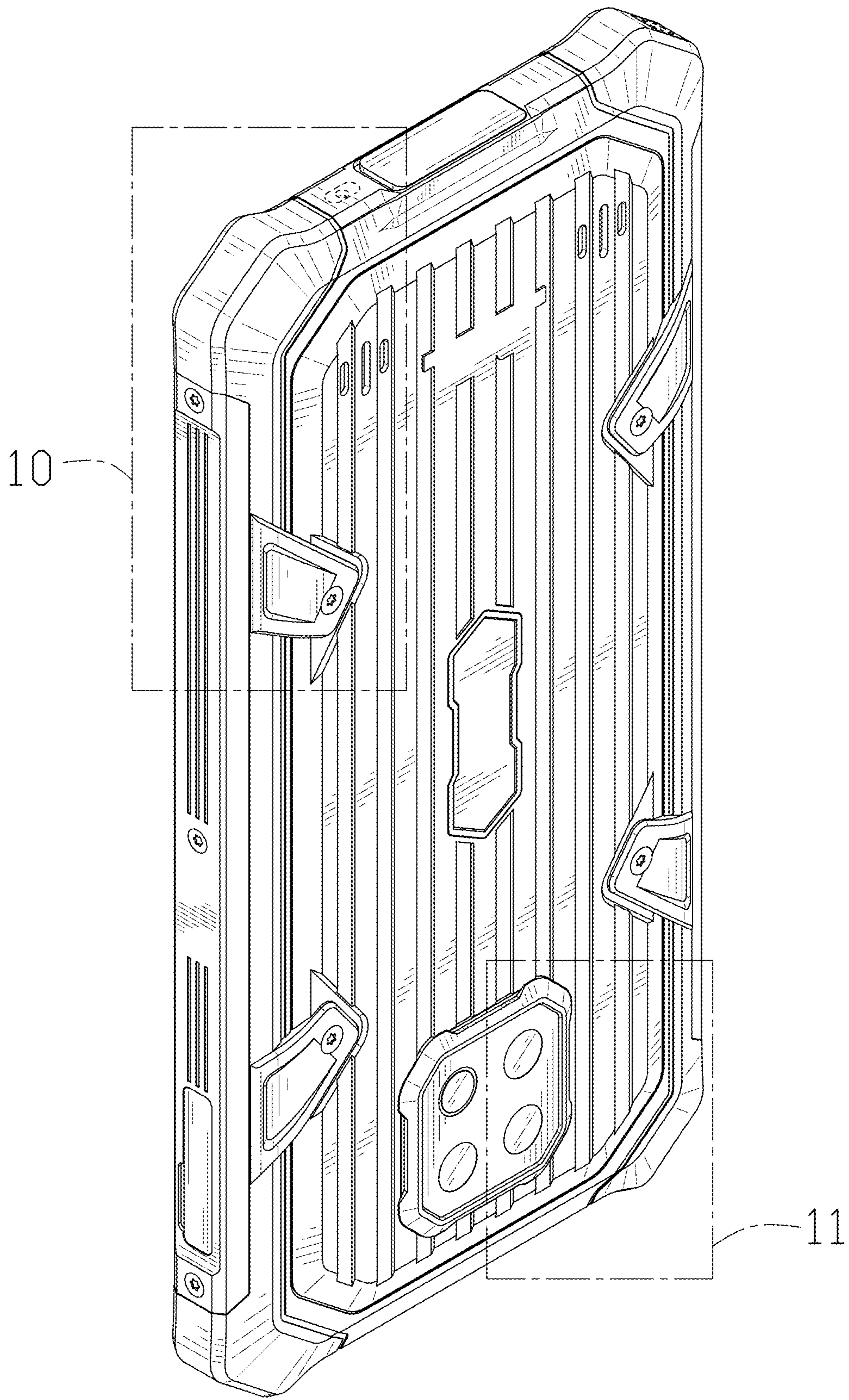


FIG. 2

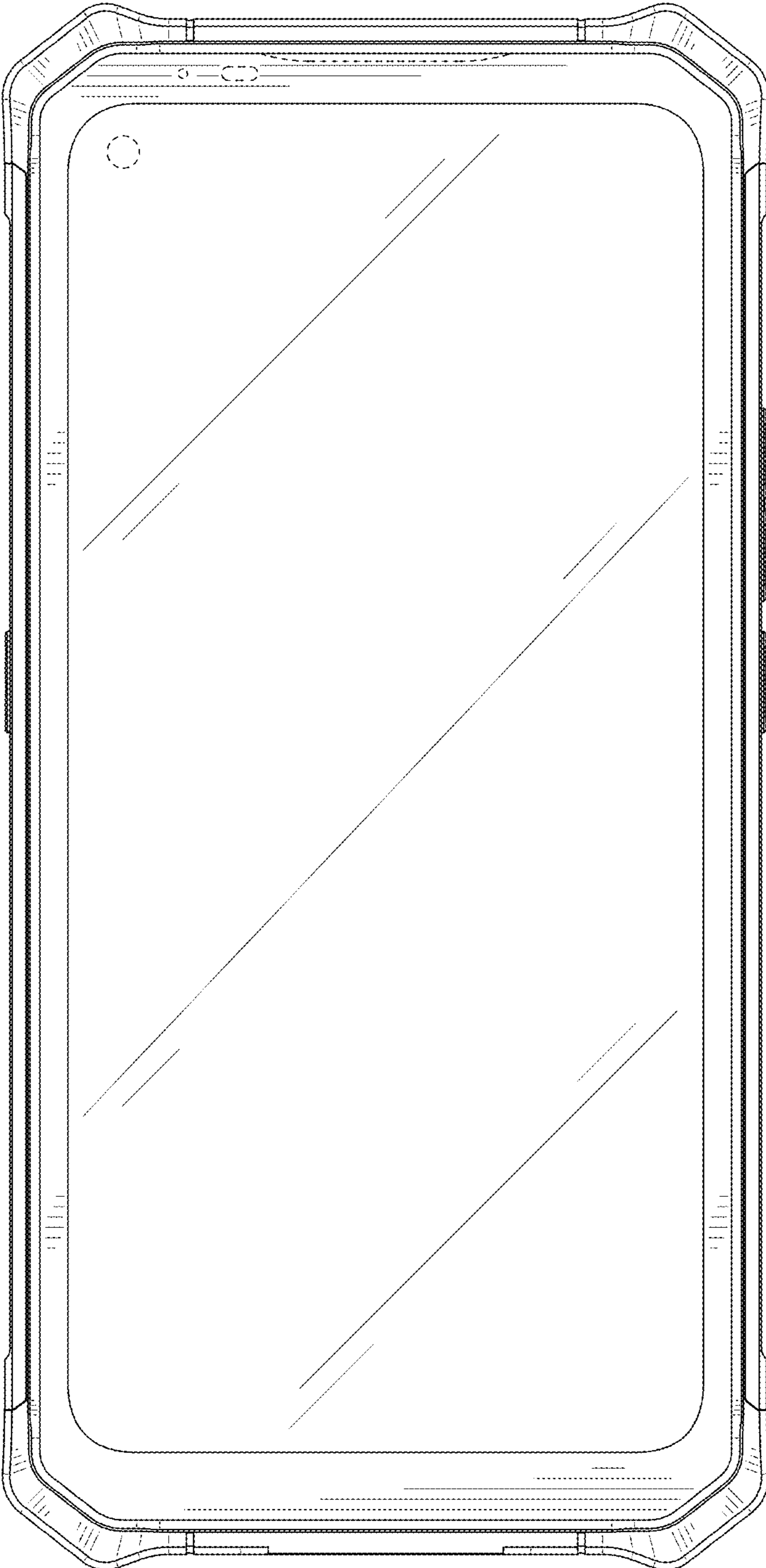


FIG. 3



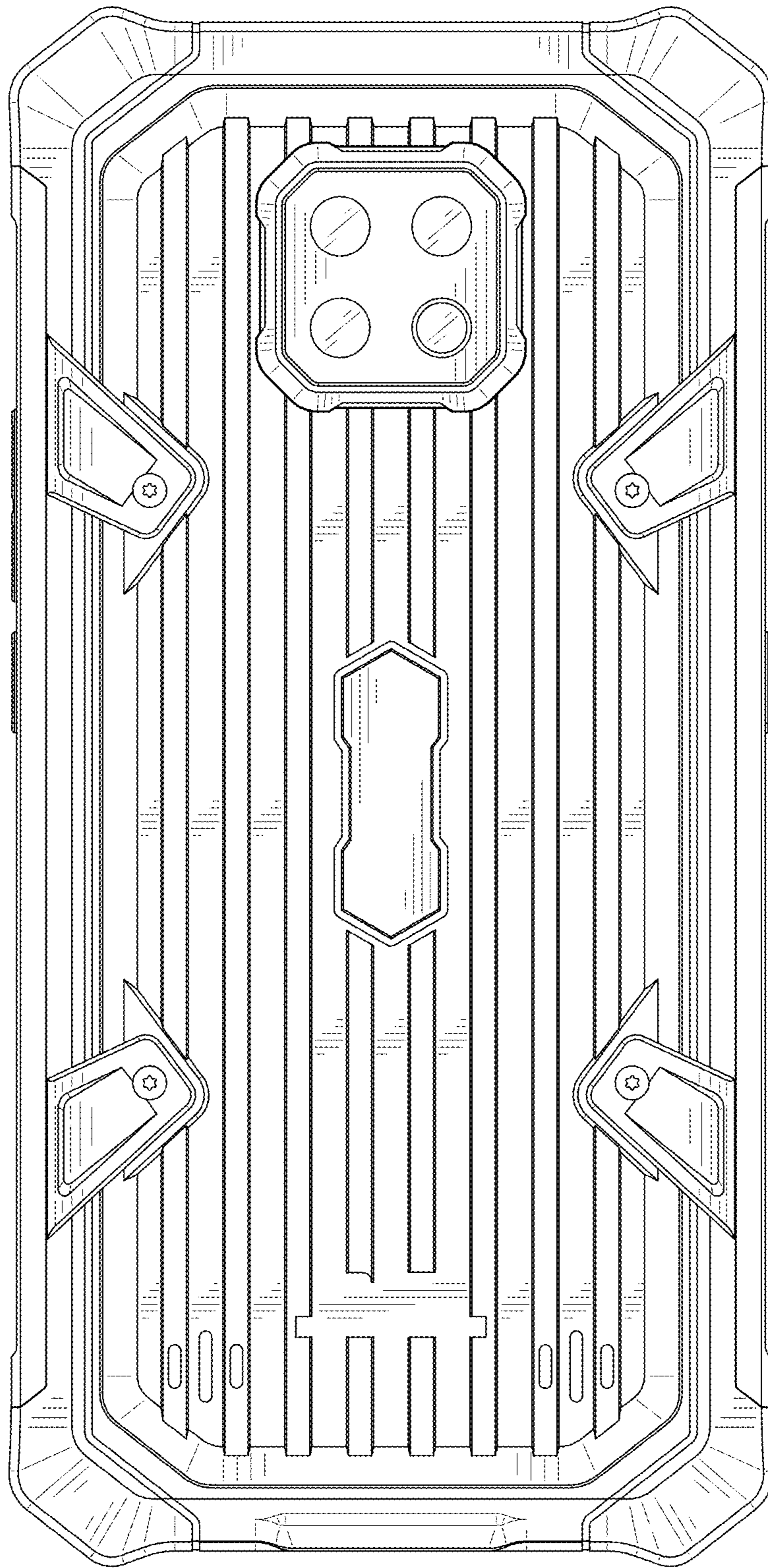


FIG. 4

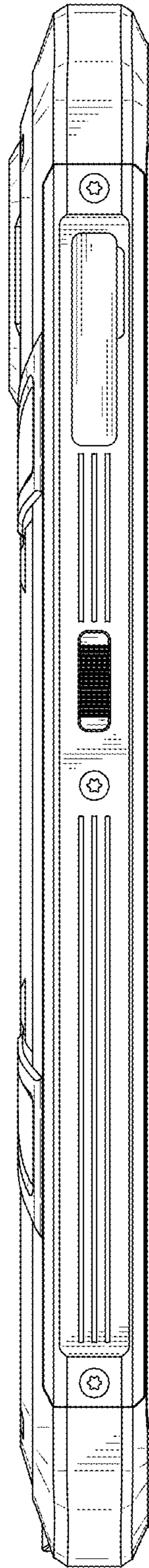


FIG. 5

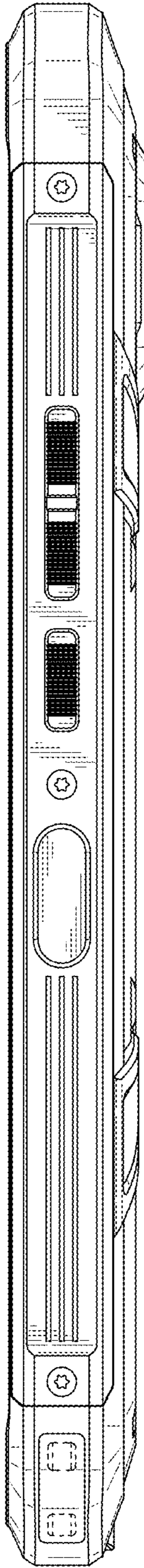


FIG. 6



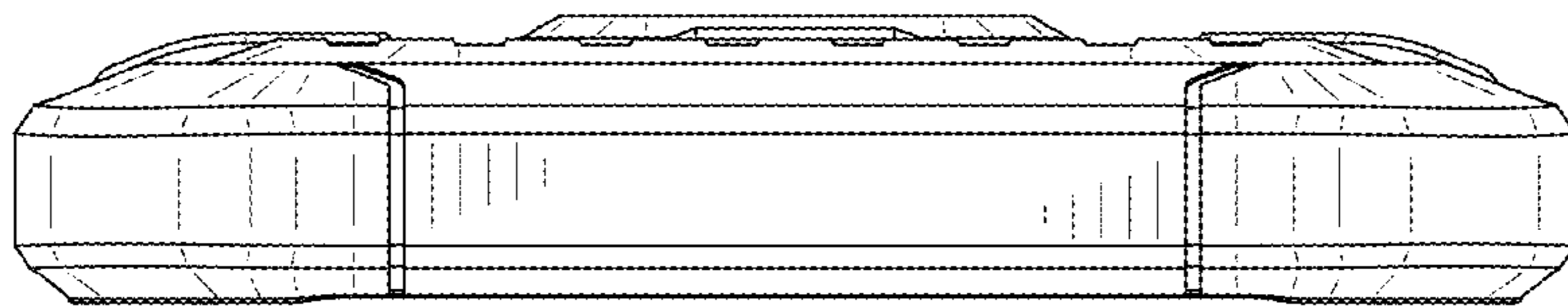


FIG. 7



FIG. 8

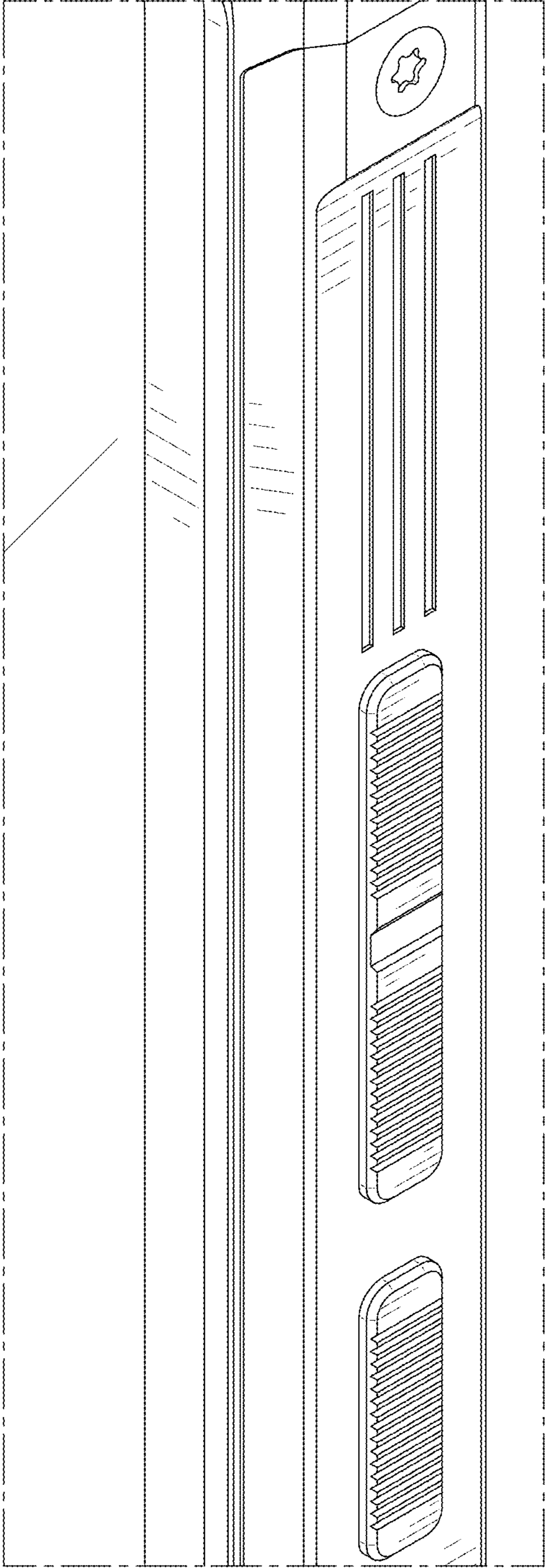


FIG. 9



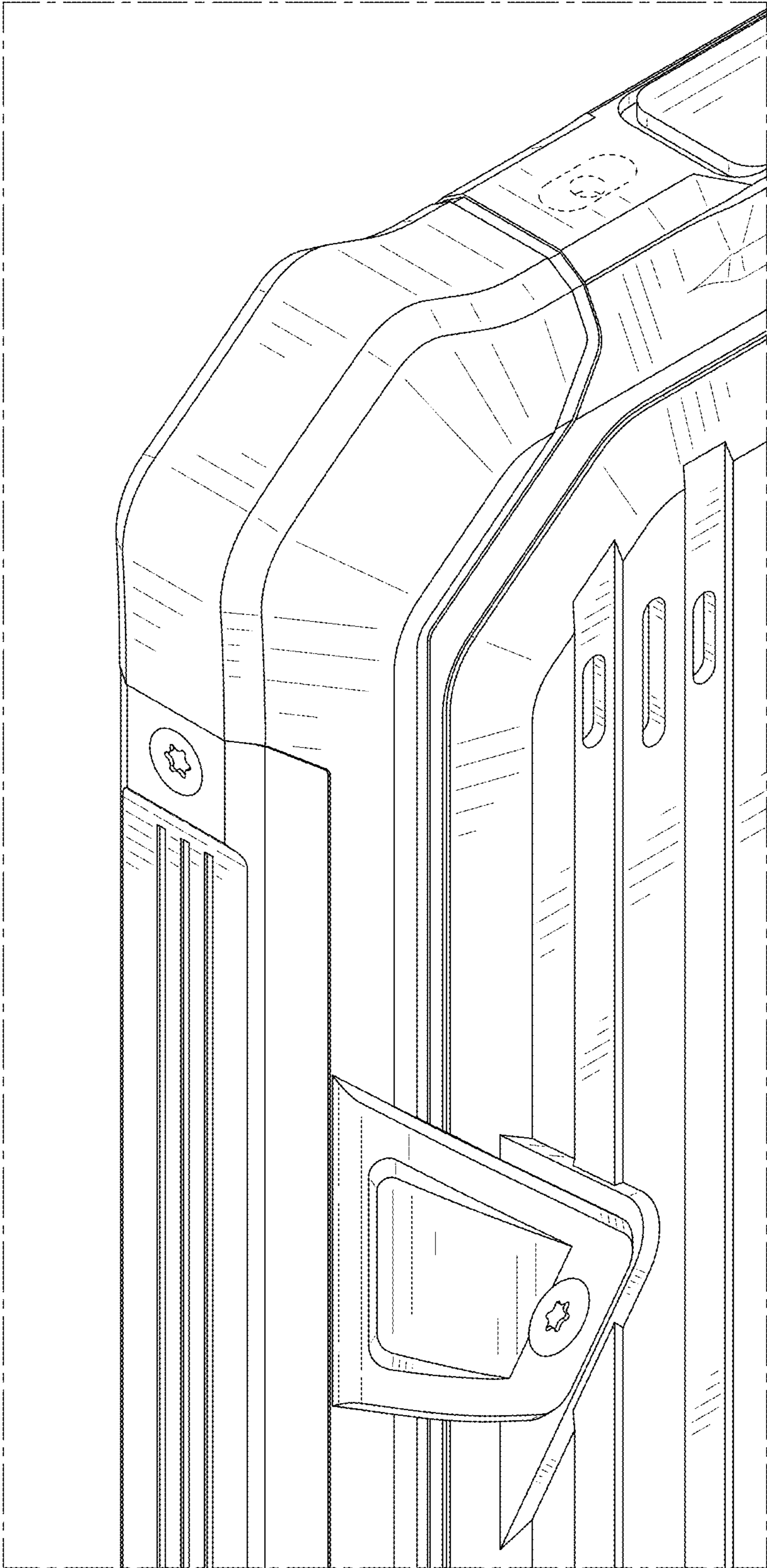


FIG. 10

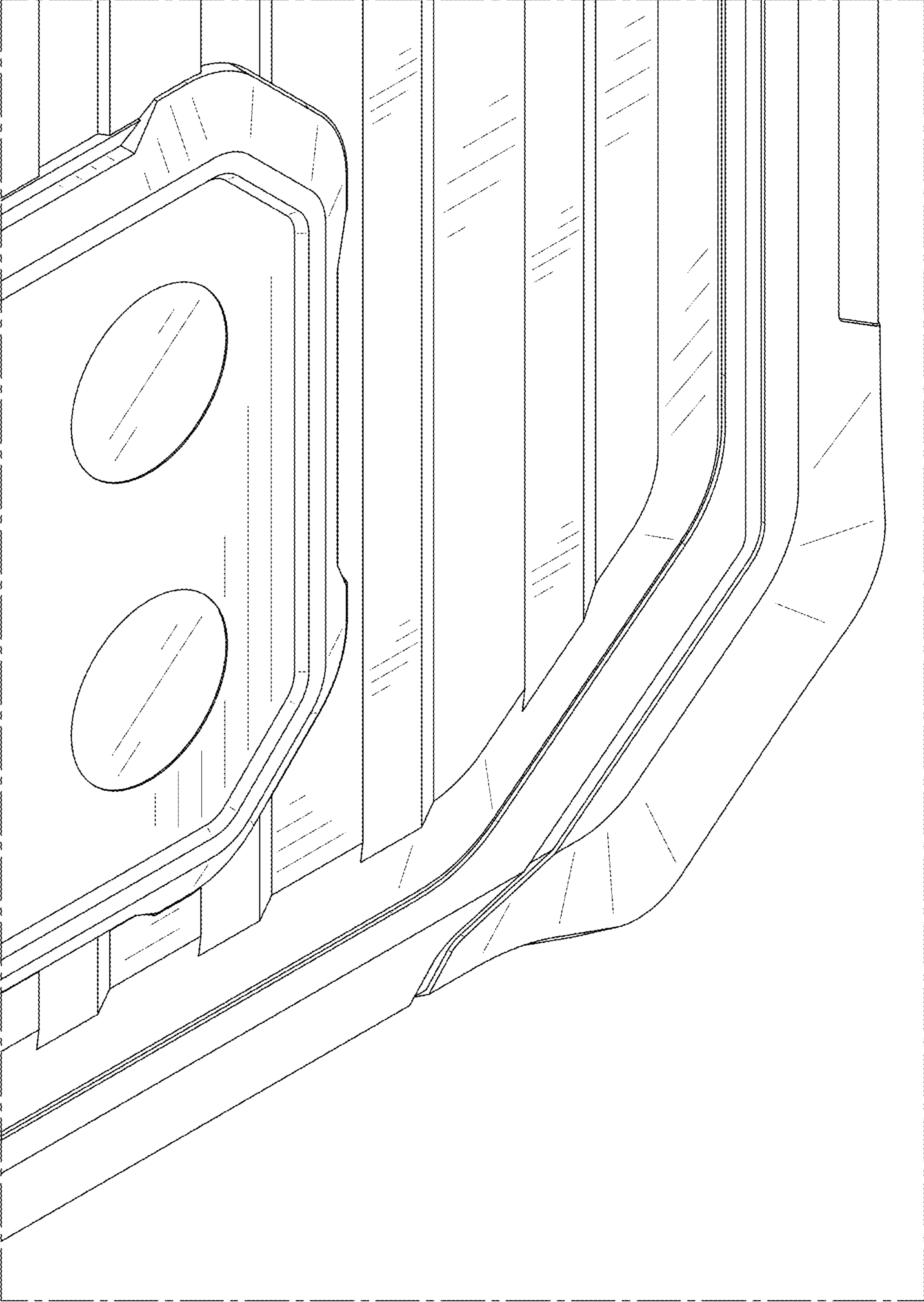


FIG. 11