

US00D969093S

(12) **United States Design Patent**
Huang et al.

(10) **Patent No.:** **US D969,093 S**

(45) **Date of Patent:** **** Nov. 8, 2022**

(54) **LEADFRAME**

(71) Applicant: **Diodes Incorporated**, Plano, TX (US)

(72) Inventors: **Li-Ju Huang**, Tainan (TW); **Michael Yimin Zhang**, Palo Alto, CA (US)

(73) Assignee: **Diodes Incorporated**, Plano, TX (US)

(**) Term: **15 Years**

(21) Appl. No.: **29/814,009**

(22) Filed: **Nov. 2, 2021**

Related U.S. Application Data

(60) Division of application No. 29/699,936, filed on Jul. 30, 2019, now Pat. No. Des. 940,090, which is a continuation-in-part of application No. 29/692,906, filed on May 29, 2019, now Pat. No. Des. 939,458.

(51) **LOC (13) Cl.** **13-03**

(52) **U.S. Cl.**
USPC **D13/182**

(58) **Field of Classification Search**
USPC D13/182
CPC H01L 23/49548; H01L 23/49541; H01L 24/09; H01L 24/48
See application file for complete search history.

(56) **References Cited**

U.S. PATENT DOCUMENTS

10,347,571	B1 *	7/2019	Rozbicki	H01L 23/3121
D864,884	S *	10/2019	Yoneyama	D13/182
D900,759	S *	11/2020	Majima	D13/182
D906,273	S *	12/2020	Majima	D13/182
D939,458	S *	12/2021	Huang	D13/182
D940,090	S *	1/2022	Huang	D13/182
2005/0258520	A1 *	11/2005	Dolan	H01L 23/49503 257/E23.037
2009/0278241	A1 *	11/2009	Liu	H01L 24/48 257/676

2015/0084172	A1 *	3/2015	Do	H01L 24/96 257/676
2015/0200156	A1 *	7/2015	Weld	H01L 23/49562 438/107
2015/0221584	A1 *	8/2015	Lopez	H01L 24/40 257/676
2018/0130723	A1 *	5/2018	Lin	H01L 23/49503
2018/0182642	A1 *	6/2018	Milo	H01L 23/49548
2019/0198352	A1 *	6/2019	Nangia	H01L 23/5223

(Continued)

Primary Examiner — Selina Sikder

(74) *Attorney, Agent, or Firm* — Kilpatrick Townsend & Stockton; Dah-Bin Kao; Steven A. Shaw

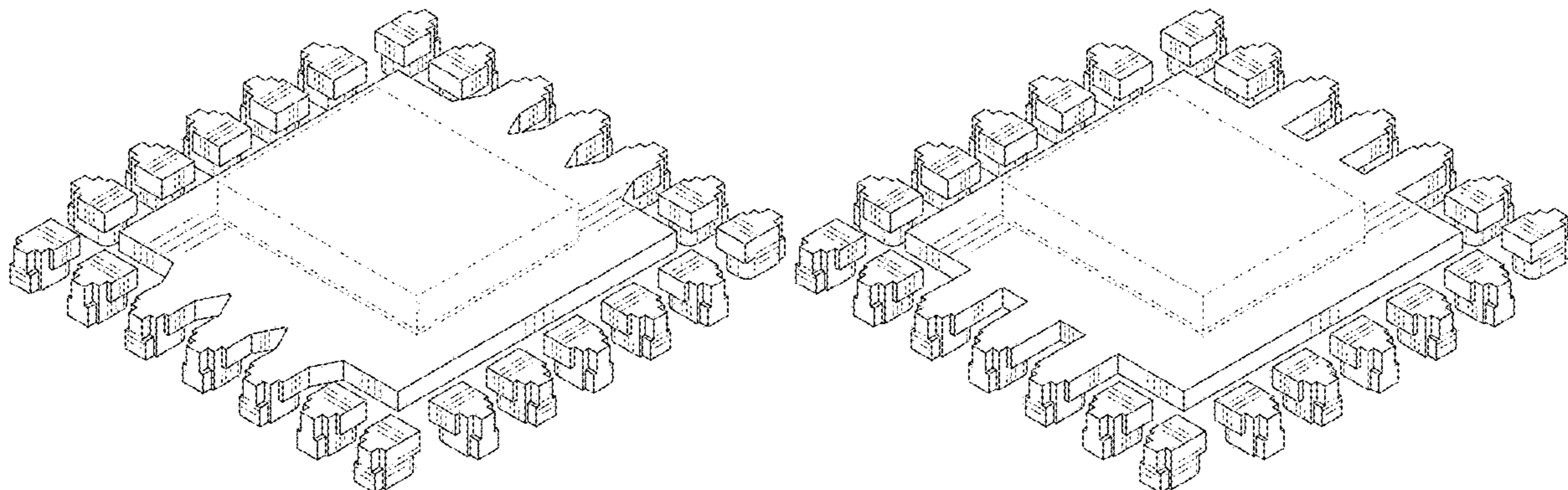
(57) **CLAIM**

The ornamental design for a leadframe, as shown and described.

DESCRIPTION

FIG. 1 is a top perspective view of a leadframe showing our new design;
 FIG. 2 is a top plan view thereof;
 FIG. 3 is a bottom plan view thereof;
 FIG. 4 is a front elevational view thereof, the rear elevational view being a mirror image thereof;
 FIG. 5 is a right side elevational view thereof, the left side elevational view being a mirror image thereof;
 FIG. 6 is a top perspective view of a leadframe showing a variation of our new design;
 FIG. 7 is a top plan view thereof;
 FIG. 8 is a bottom plan view thereof;
 FIG. 9 is a front elevational view thereof, the rear elevational view being a mirror image thereof; and,
 FIG. 10 is a right side elevational view thereof, the left side elevational view being a mirror image thereof.
 The broken lines in the figures represent unclaimed subject matter and form no part of the claimed design.
 The shade lines in the figures show contours and not surface ornamentation.

1 Claim, 10 Drawing Sheets



(56)

References Cited

U.S. PATENT DOCUMENTS

2019/0355651	A1 *	11/2019	Milo	H01L 23/49513
2020/0035586	A1 *	1/2020	Liong	H01L 21/4828
2020/0194351	A1 *	6/2020	Talledo	H01L 21/4828
2020/0194357	A1 *	6/2020	Shibuya	H01L 24/17
2020/0211933	A1 *	7/2020	Raposas	H01L 24/92
2020/0258825	A1 *	8/2020	Tang	H01L 23/49562
2020/0303609	A1 *	9/2020	Yoon	H01L 24/32
2020/0312754	A1 *	10/2020	Yasuda	H01L 24/45
2020/0312958	A1 *	10/2020	Murthy	H01L 29/456
2020/0343168	A1 *	10/2020	Cadag	H01L 21/4828
2020/0411421	A1 *	12/2020	Teyseyre	H01L 24/84
2021/0020553	A1 *	1/2021	Macheiner	H01L 22/12
2021/0090980	A1 *	3/2021	Noquil	H01L 23/3107
2021/0225742	A1 *	7/2021	Jhan	H01L 23/49548
2022/0020680	A1 *	1/2022	Huang	H01L 23/49586
2022/0028767	A1 *	1/2022	Anjum	H01L 23/49805
2022/0102248	A1 *	3/2022	Almagro	H01L 23/49562
2022/0139812	A1 *	5/2022	Huang	H01L 24/48

257/667

* cited by examiner

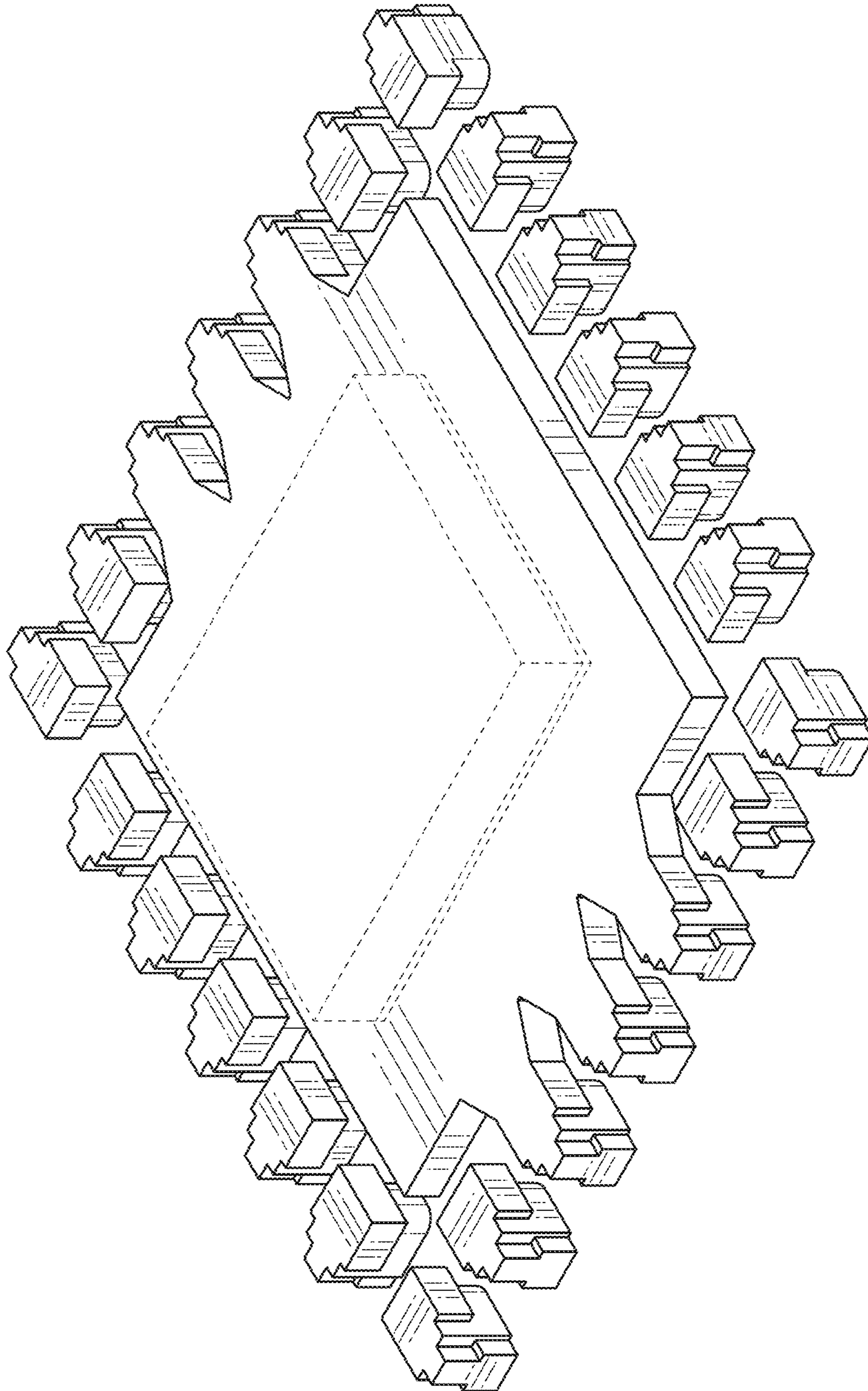


FIG. 1

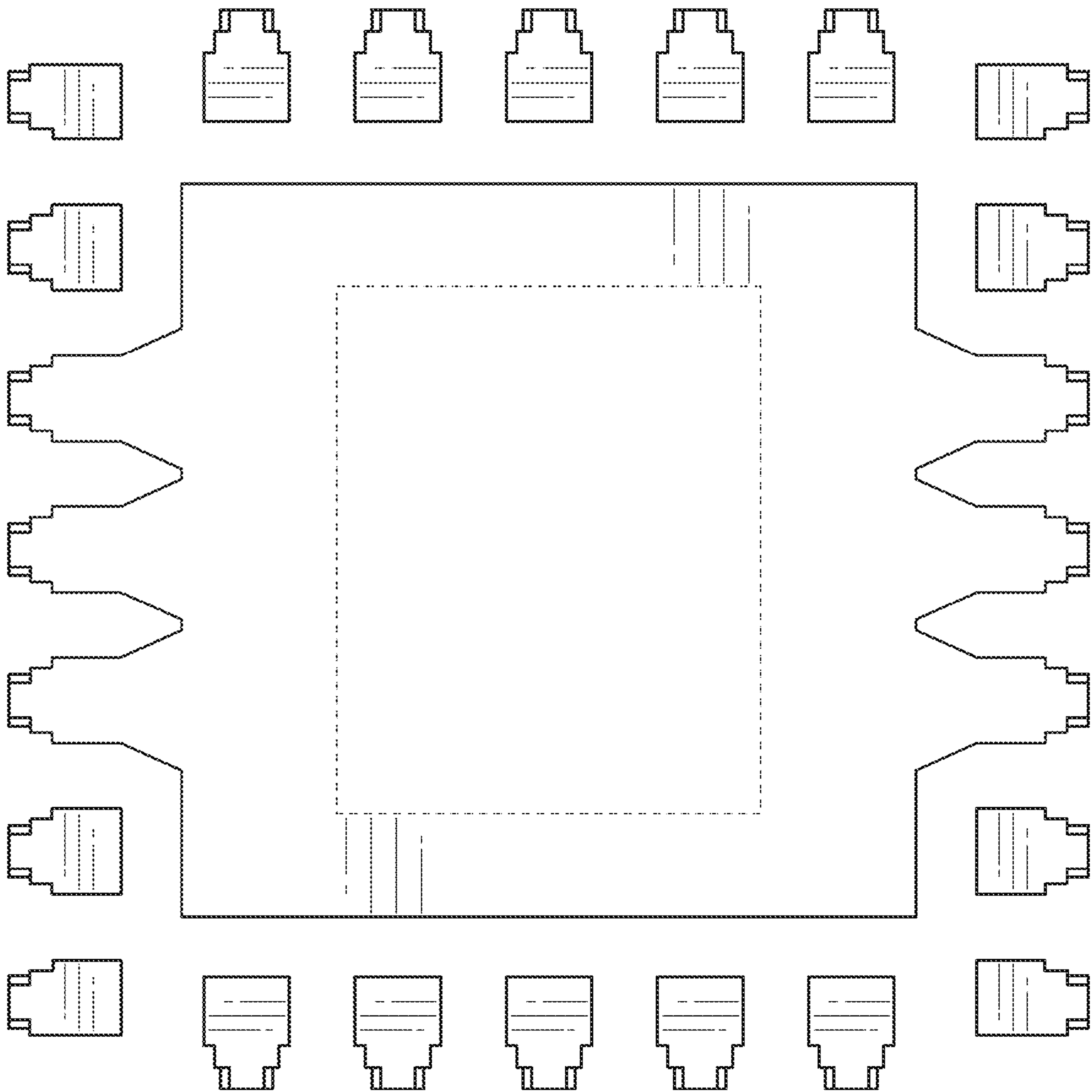


FIG. 2

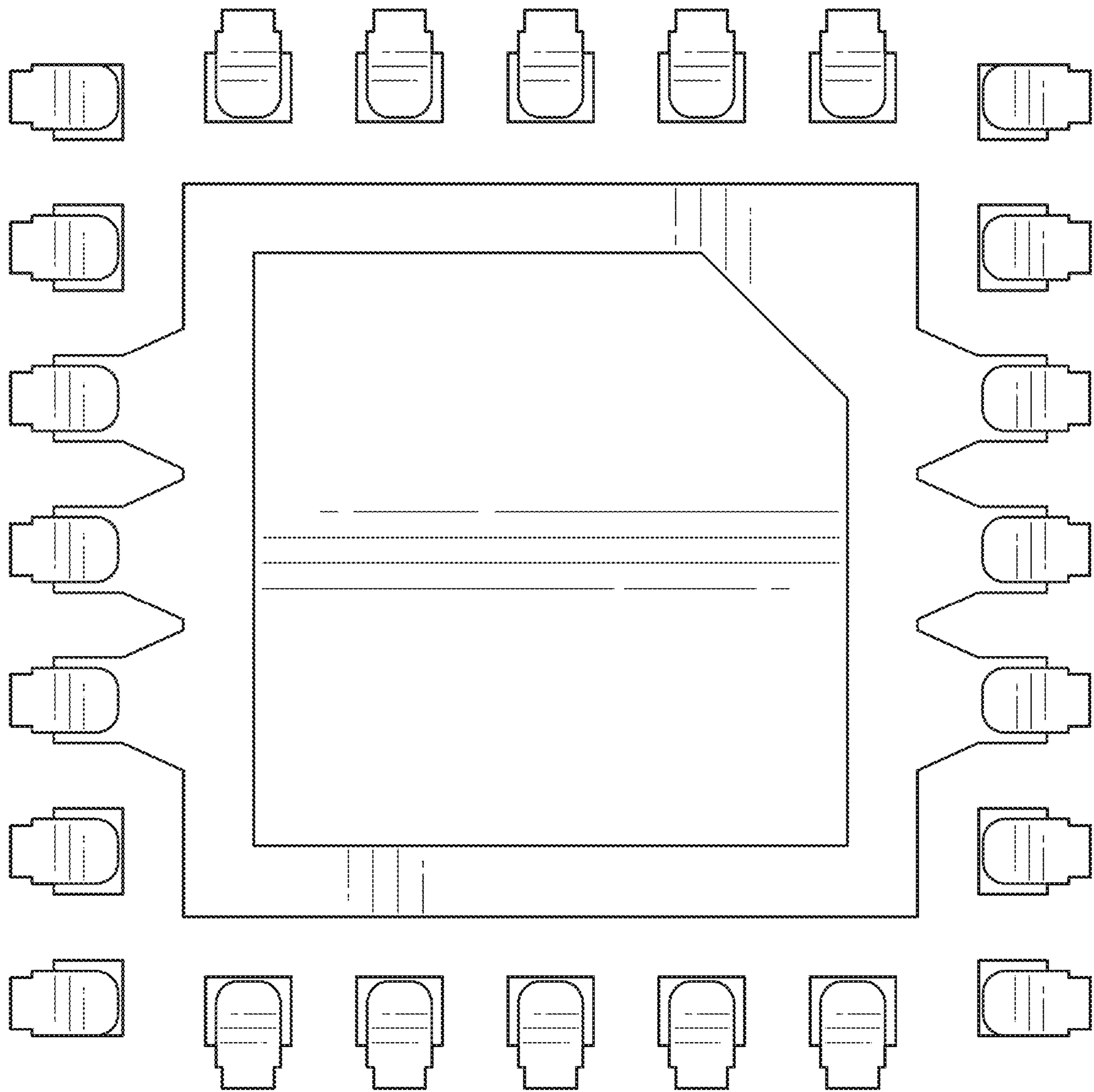


FIG. 3

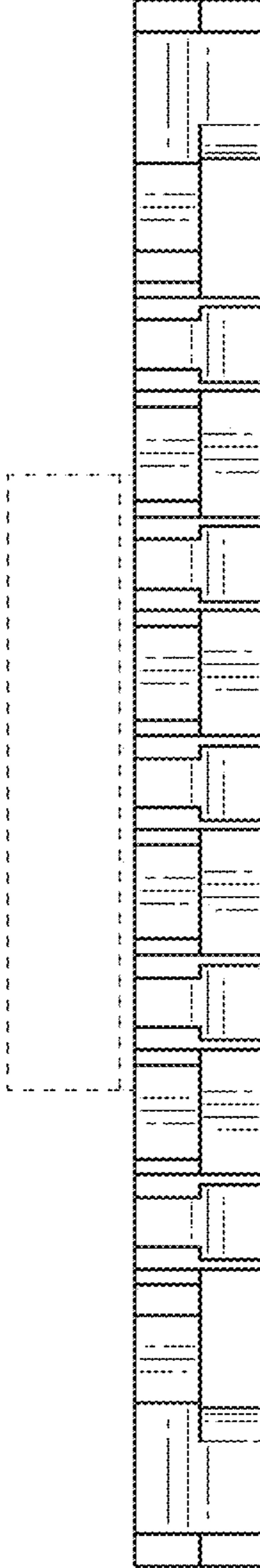


FIG. 4

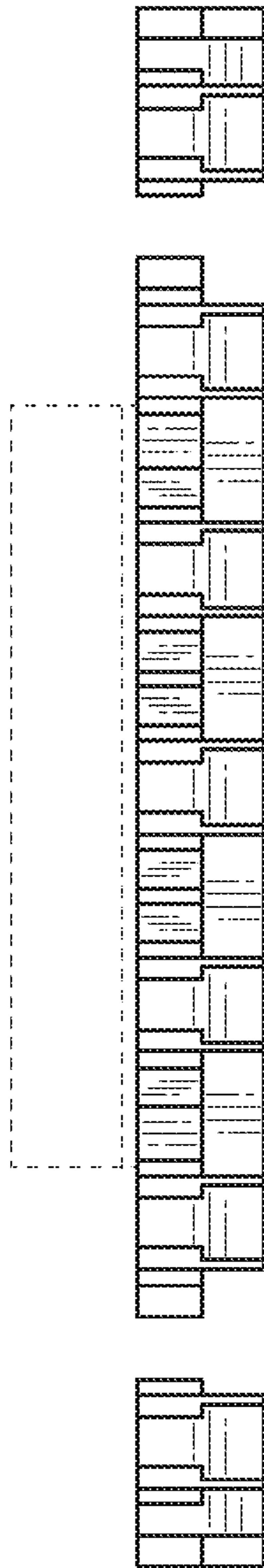


FIG. 5

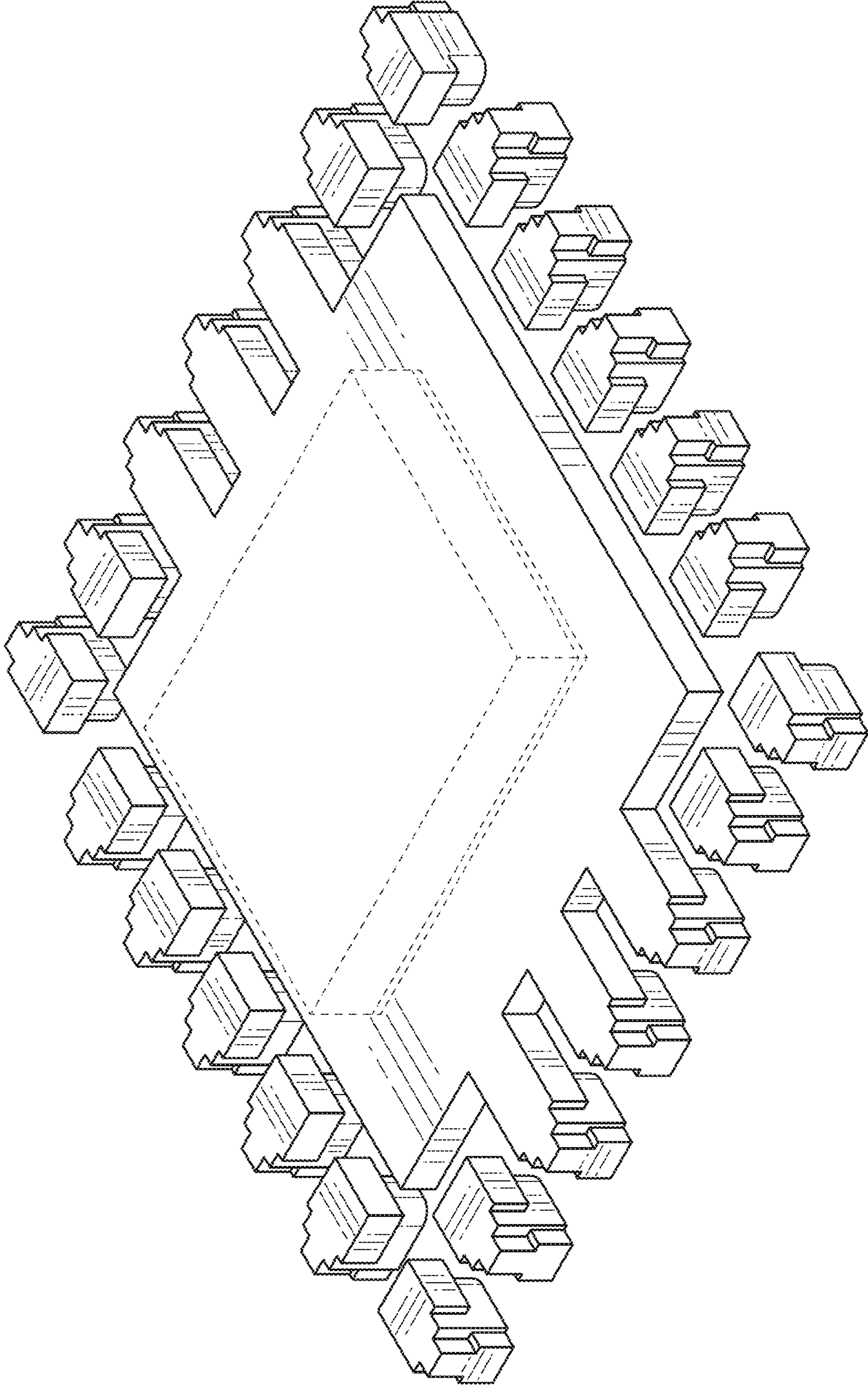


FIG. 6

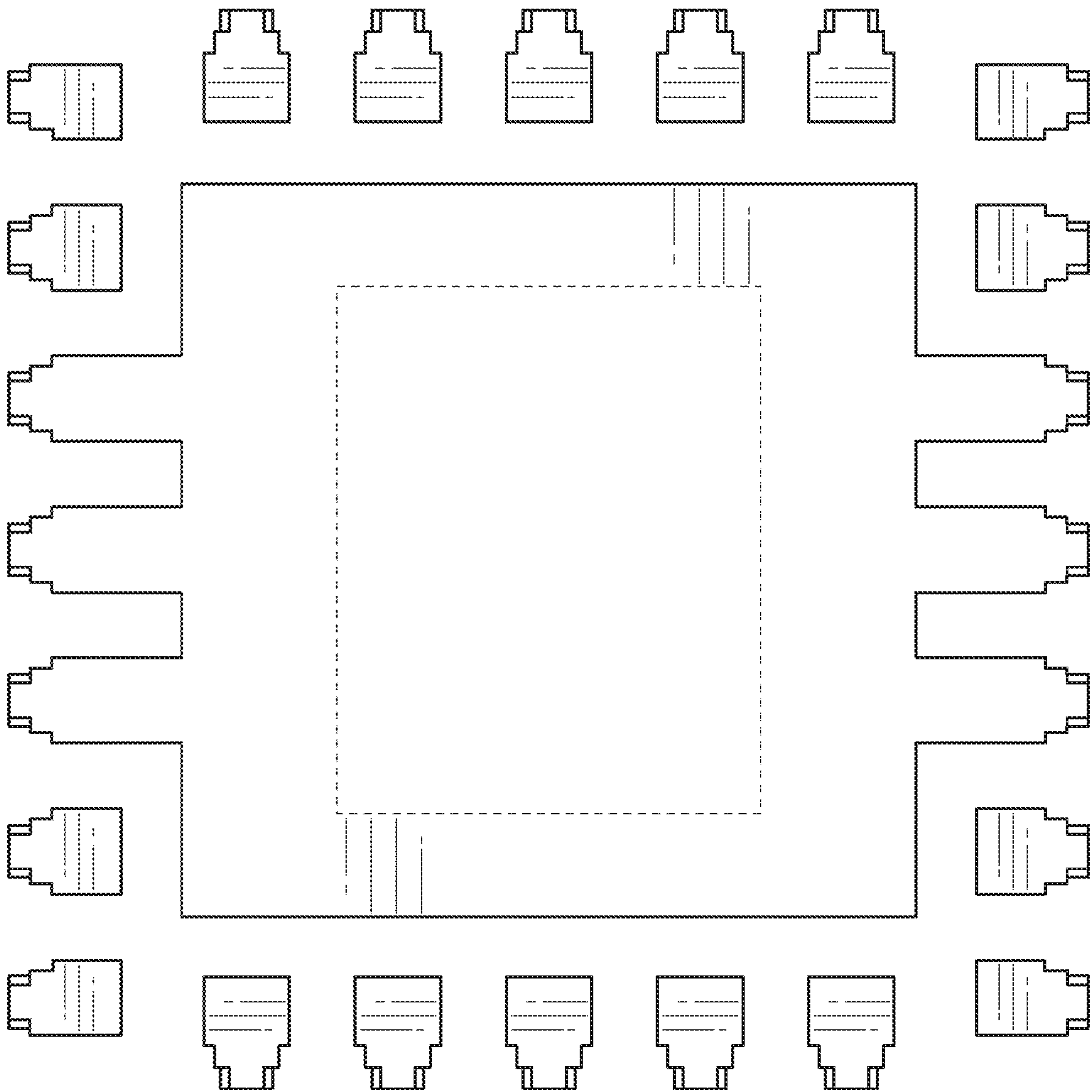


FIG. 7

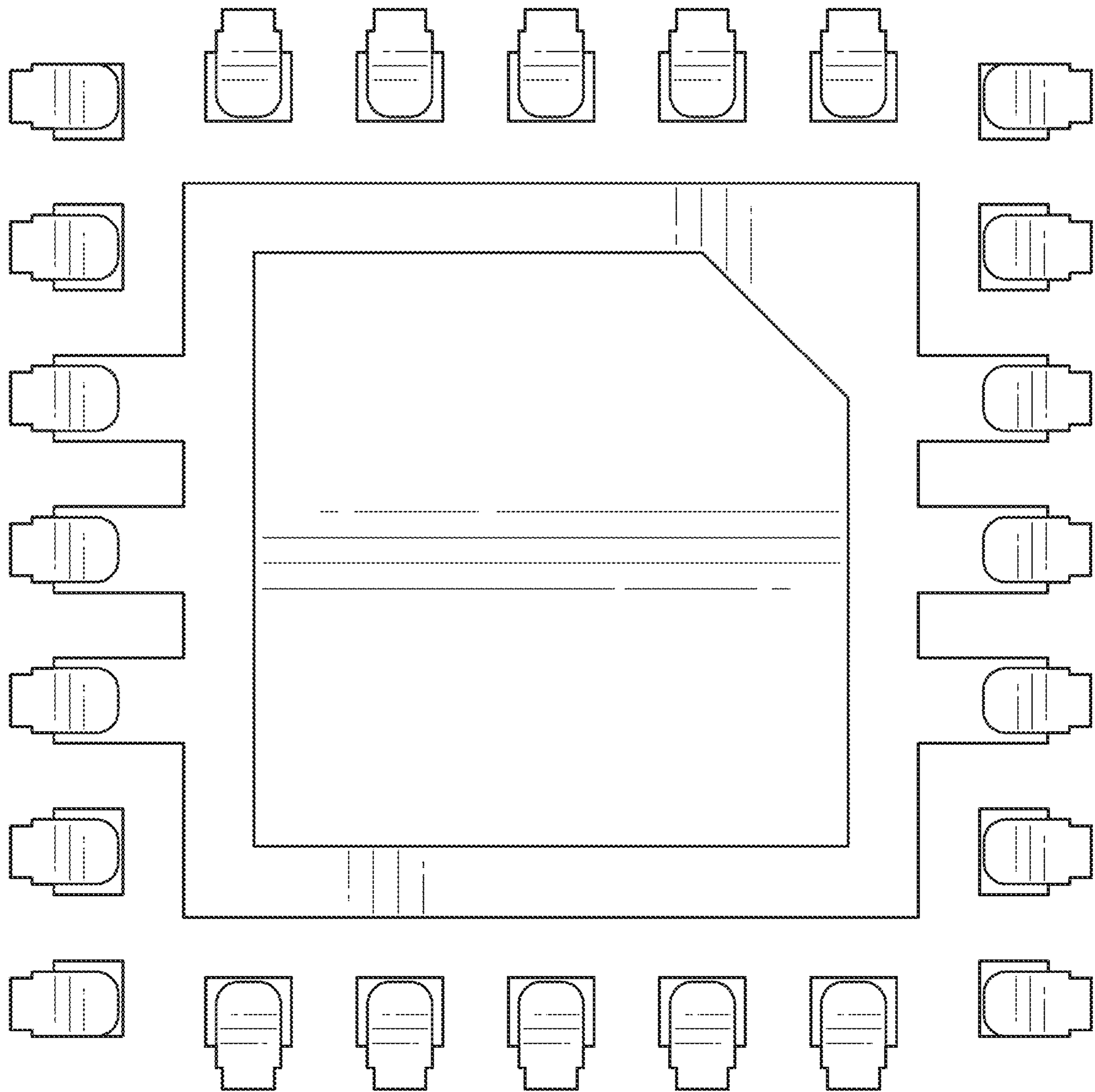


FIG. 8

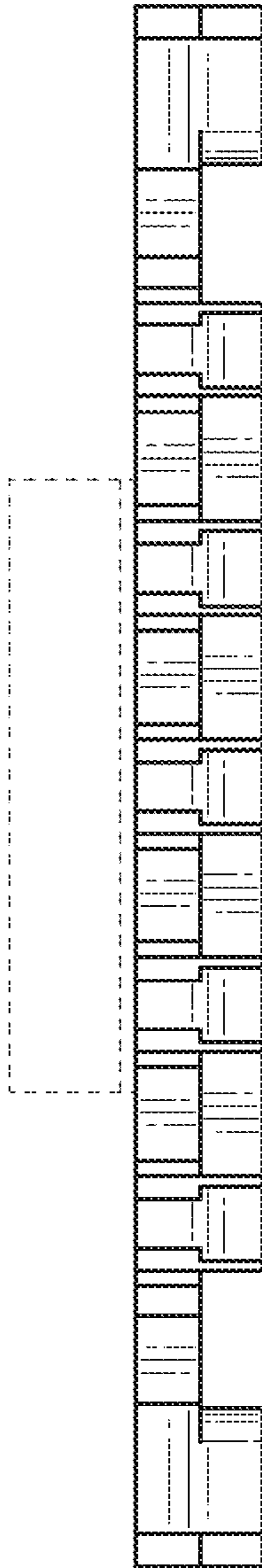


FIG. 9

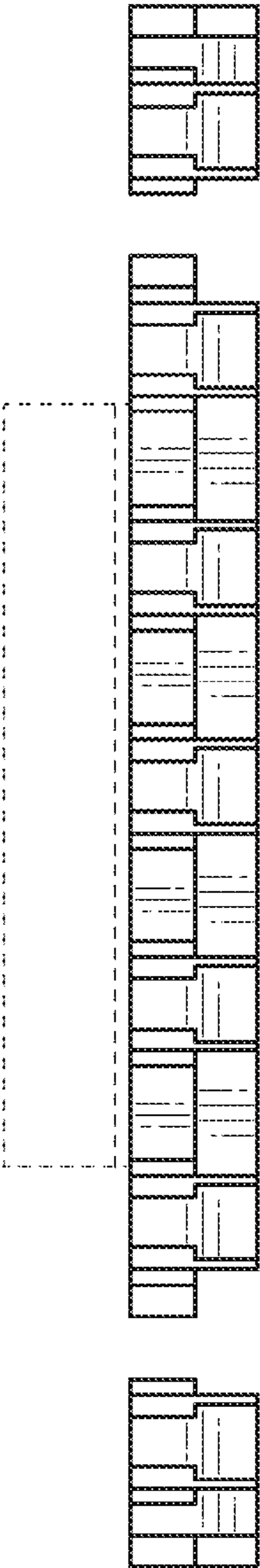


FIG. 10