



US00D969091S

(12) **United States Design Patent**  
**Shimomaki**

(10) **Patent No.:** **US D969,091 S**

(45) **Date of Patent:** **\*\* Nov. 8, 2022**

- (54) **CAP FOR CONNECTOR**
- (71) Applicant: **Japan Aviation Electronics Industry, Limited, Tokyo (JP)**
- (72) Inventor: **Yuta Shimomaki, Tokyo (JP)**
- (73) Assignee: **JAPAN AVIATION ELECTRONICS INDUSTRY, LIMITED, Tokyo (JP)**

- D888,671 S \* 6/2020 Cloud ..... G02B 6/3849 D13/154
- D913,964 S \* 3/2021 Smith ..... D13/156
- D913,965 S \* 3/2021 Smith ..... D13/156
- D920,251 S \* 5/2021 Elison ..... D13/133
- D942,955 S \* 2/2022 Kluwe ..... D13/156
- D951,878 S \* 5/2022 Smith ..... D13/156
- D953,277 S \* 5/2022 Oosaka ..... D13/133

(Continued)

(\*\*) Term: **15 Years**

(21) Appl. No.: **29/781,713**

(22) Filed: **Apr. 30, 2021**

(51) **LOC (13) Cl.** ..... **13-03**

(52) **U.S. Cl.**  
USPC ..... **D13/156**

(58) **Field of Classification Search**  
USPC ..... D13/156, 154, 146, 147, 123, 133,  
D13/137.1–139.8, 110, 159, 184, 199  
CPC .... G02B 6/3849; G02B 6/387; G02B 6/3885;  
F16B 21/086; H01R 43/005; H01R  
13/5213; H01R 43/205; H01R 13/447;  
H01R 12/716; H01R 43/18  
See application file for complete search history.

(56) **References Cited**

**U.S. PATENT DOCUMENTS**

- 3,476,008 A \* 11/1969 Ford ..... F16B 21/086 411/508
- D459,318 S \* 6/2002 Theuerkorn ..... D13/199
- D544,843 S \* 6/2007 Sugita ..... D13/133
- 7,245,813 B2 \* 7/2007 Brown ..... G02B 6/3849 385/139
- D554,068 S \* 10/2007 Fasce ..... D13/149
- D572,661 S \* 7/2008 En Lin ..... D13/133
- D772,170 S \* 11/2016 Watanabe ..... D13/156
- D826,864 S \* 8/2018 Hoffart ..... D13/147
- D826,873 S \* 8/2018 Shim ..... D13/184
- 10,175,427 B2 \* 1/2019 Cloud ..... G02B 6/3849
- D883,937 S \* 5/2020 Ehrensward ..... D13/147

**FOREIGN PATENT DOCUMENTS**

- JP D1694347 \* 9/2021
- JP D1694348 \* 9/2021

*Primary Examiner* — Bridget L Eland

(74) *Attorney, Agent, or Firm* — Manabu Kanesaka

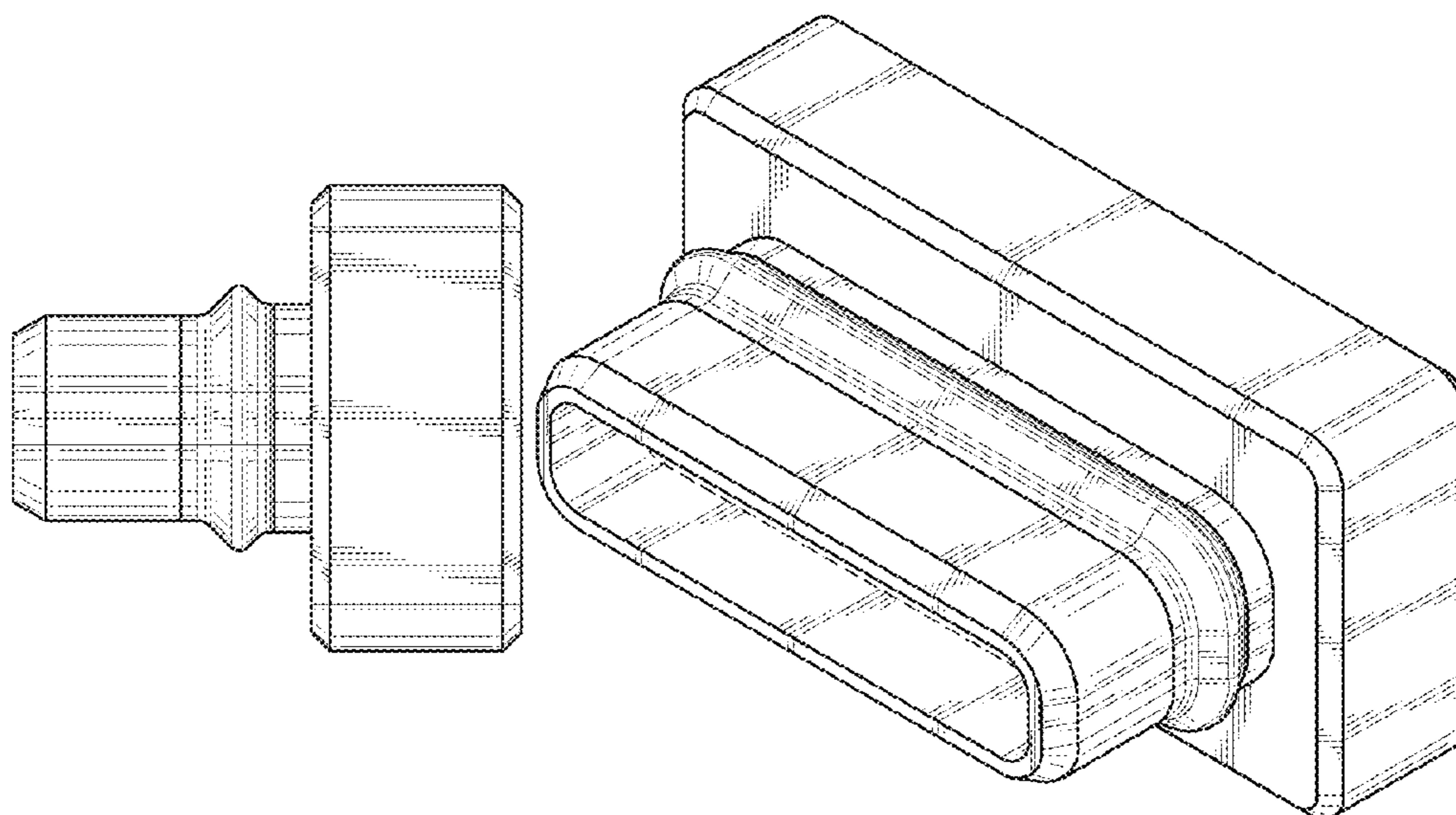
(57) **CLAIM**

The ornamental design for a cap for connector, as shown and described.

**DESCRIPTION**

FIG. 1 is a front elevational view of a cap for connector showing my new design;  
 FIG. 2 is a rear elevational view thereof;  
 FIG. 3 is a right side elevational view thereof;  
 FIG. 4 is a left side elevational view thereof;  
 FIG. 5 is a top plan view thereof;  
 FIG. 6 is a bottom plan view thereof;  
 FIG. 7 is a perspective view showing a front, top and right side thereof;  
 FIG. 8 is a perspective view showing a rear, bottom and left side thereof;  
 FIG. 9 is a perspective view showing a front, right and bottom side thereof; and,  
 FIG. 10 is a perspective view showing a rear, left and top side thereof.  
 The broken line showing of the cap for connector is for the purpose of illustrating portions of the article and forms no part of the claimed design.

**1 Claim, 5 Drawing Sheets**



(56)

**References Cited**

U.S. PATENT DOCUMENTS

D953,278 S \* 5/2022 Oosaka ..... D13/133  
2006/0172602 A1\* 8/2006 Sakakura ..... H01R 13/6593  
439/607.52  
2017/0285273 A1\* 10/2017 Abe ..... G02B 6/3849  
2021/0173152 A1\* 6/2021 Inaba ..... G02B 6/3849

\* cited by examiner

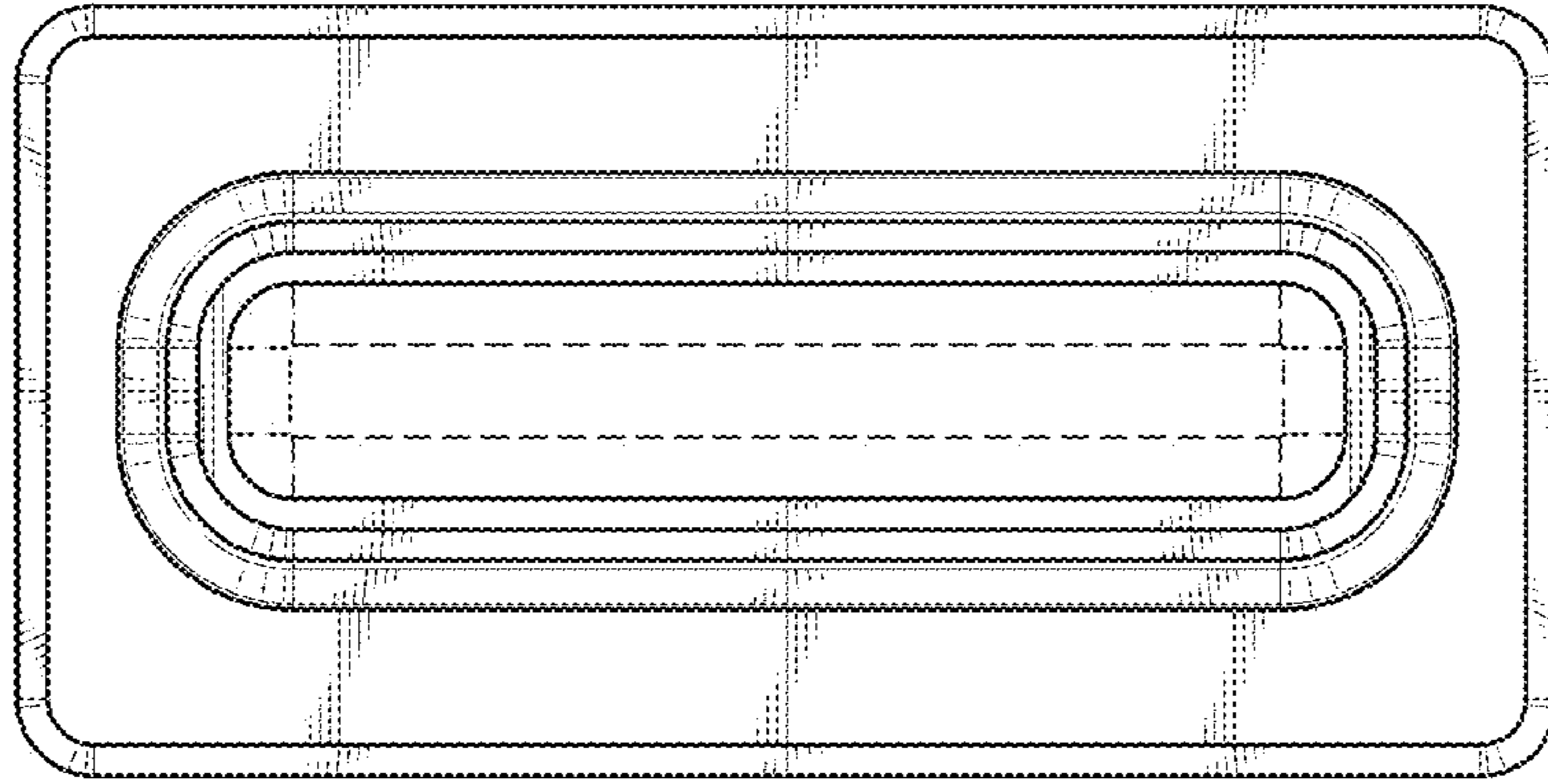


FIG. 1

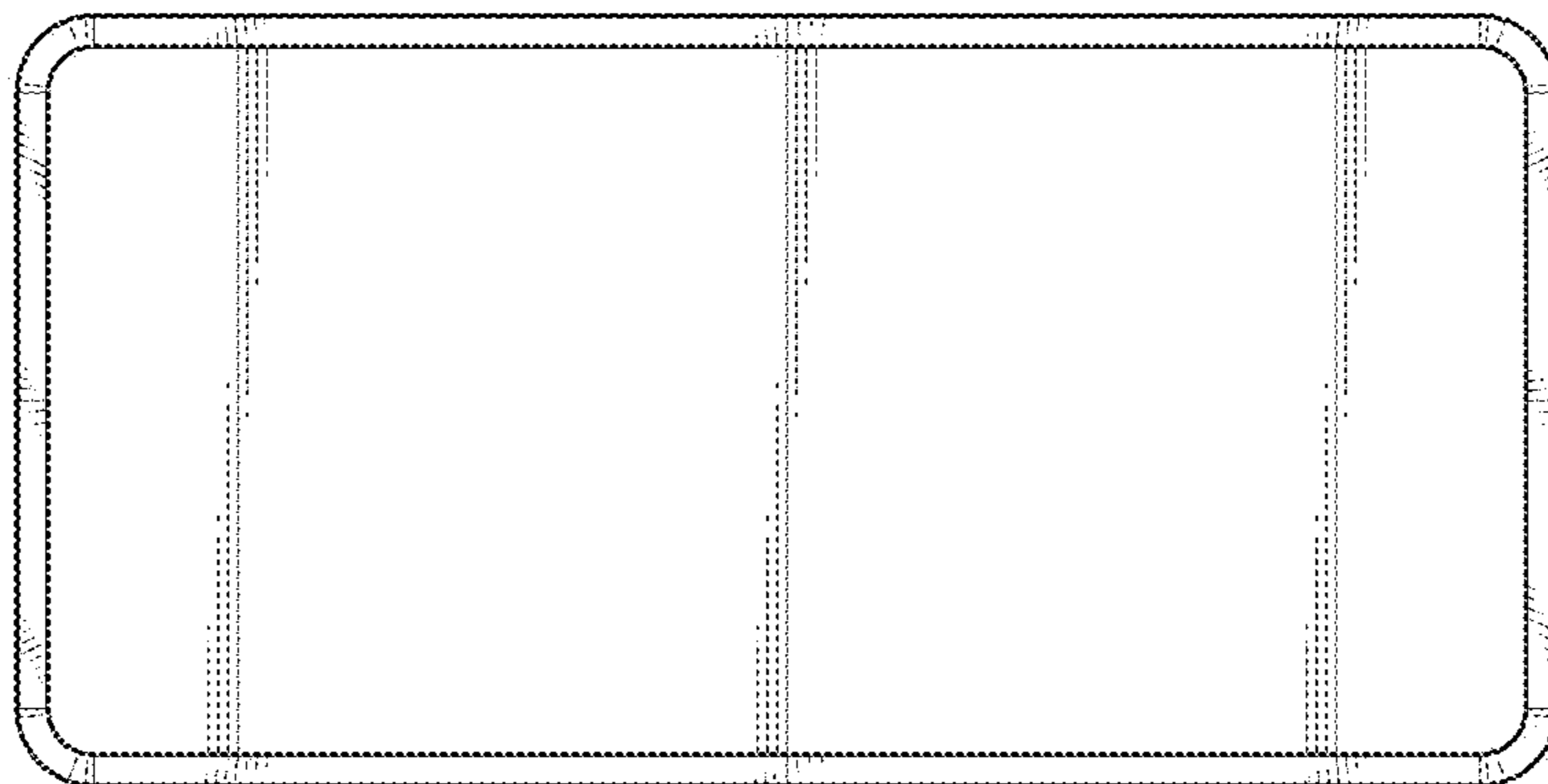


FIG. 2

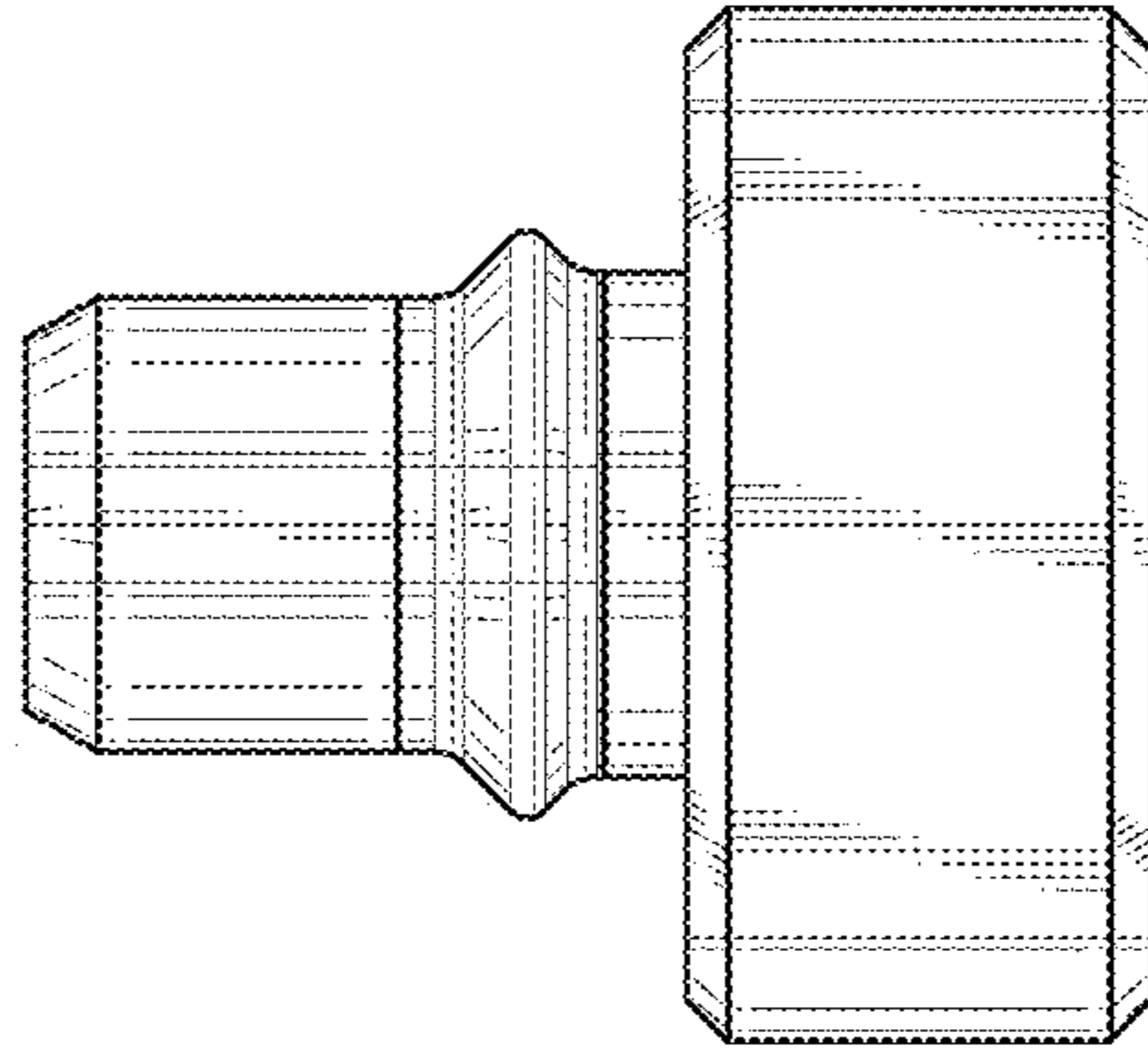


FIG. 3

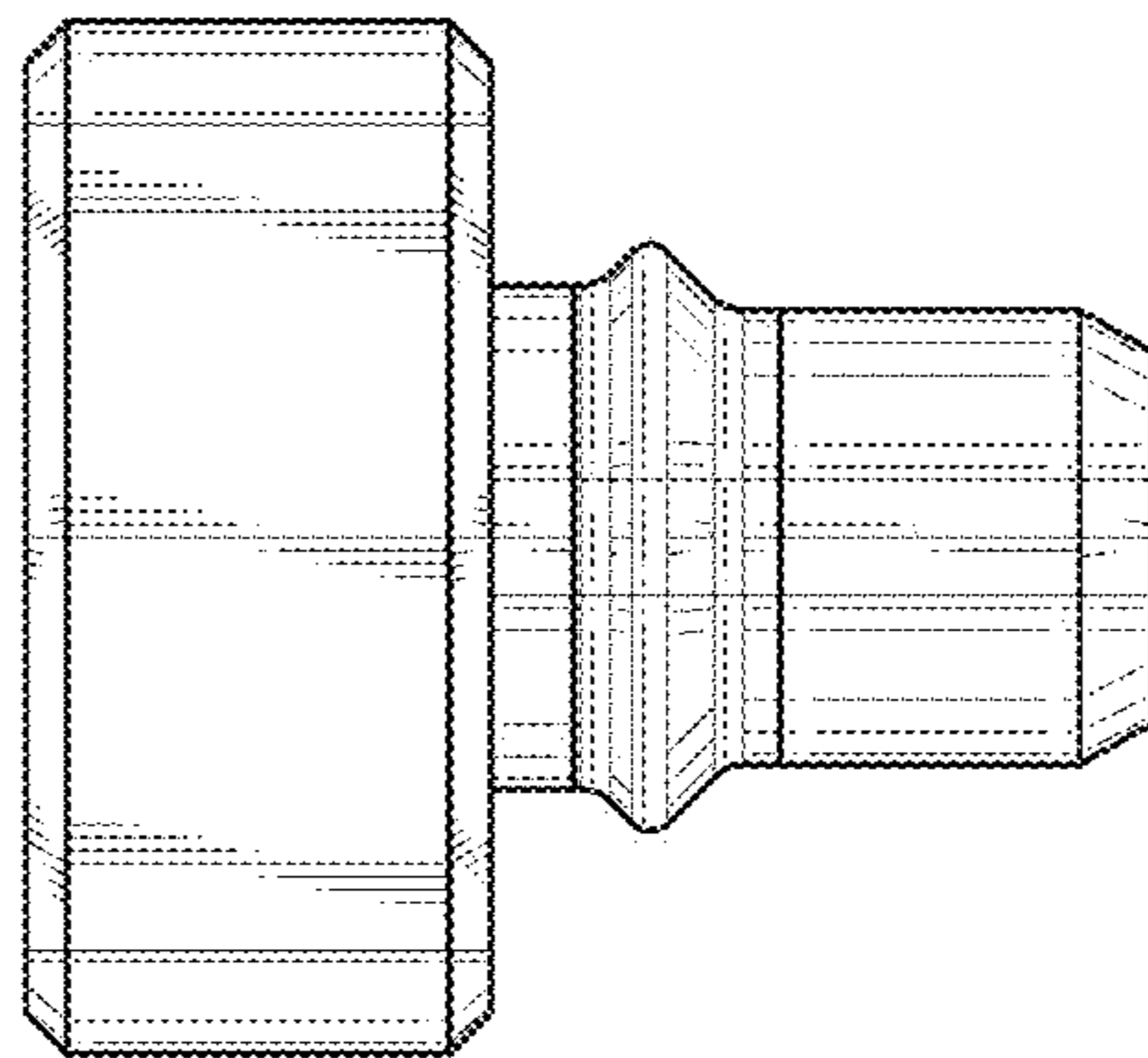


FIG. 4

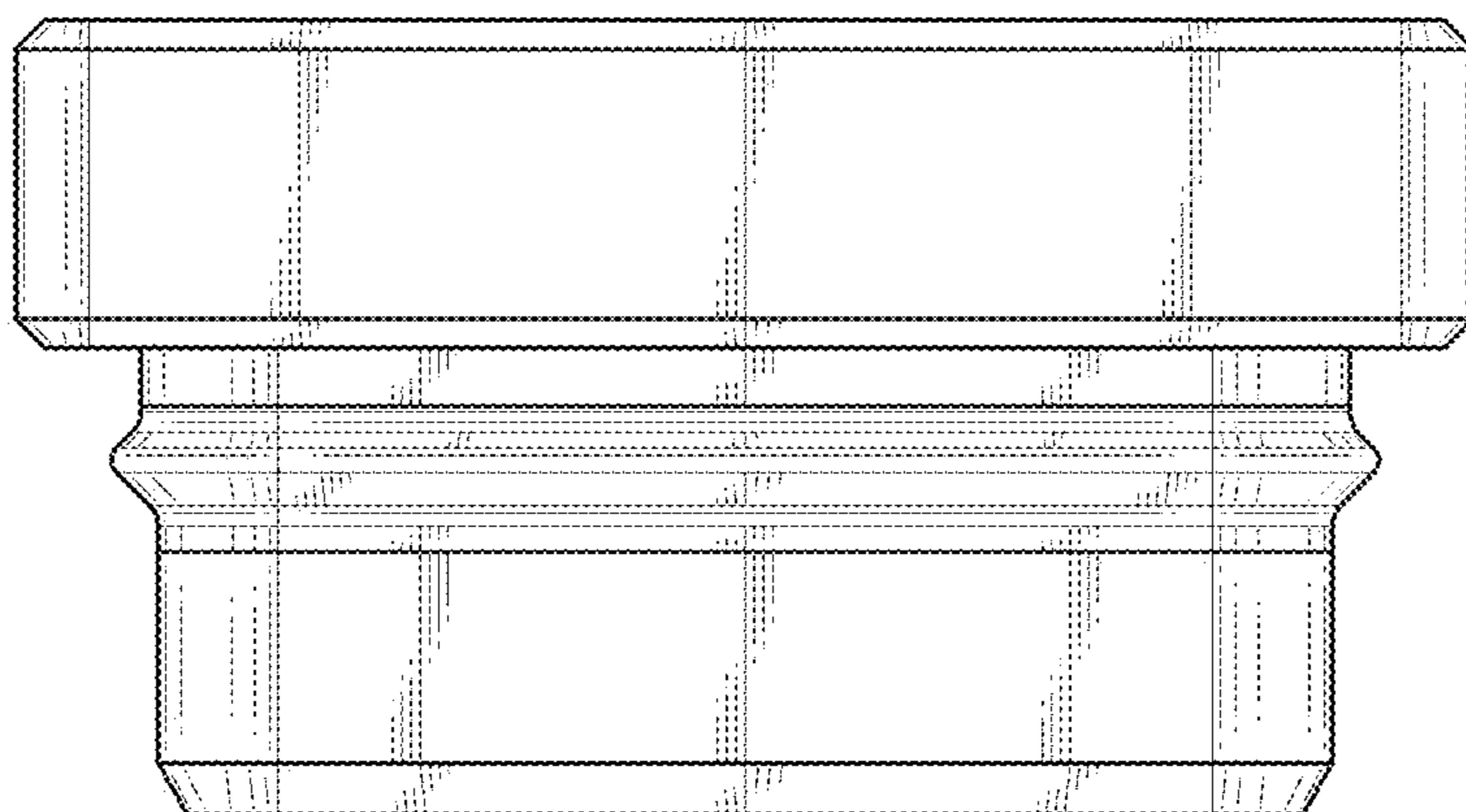


FIG. 5

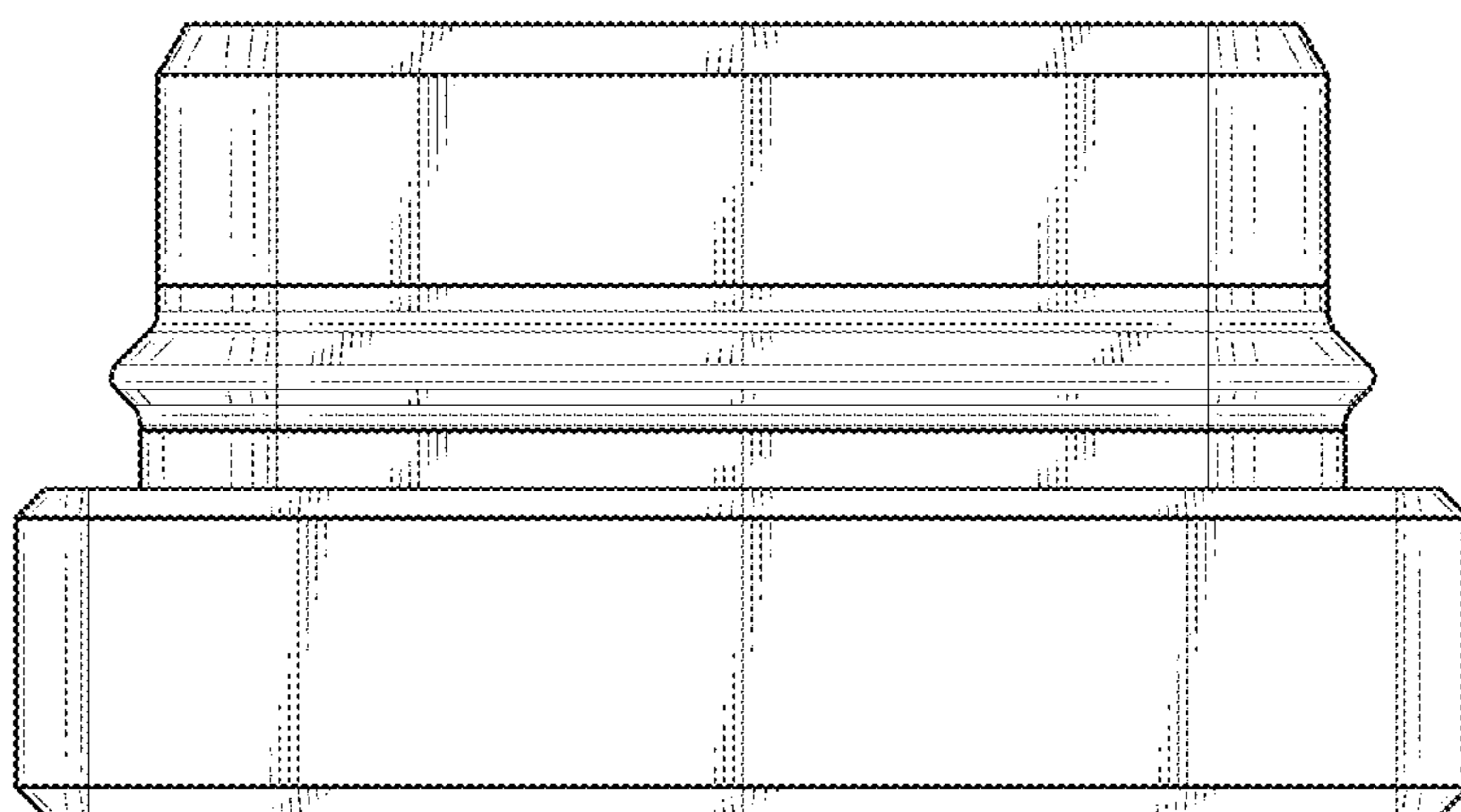


FIG. 6

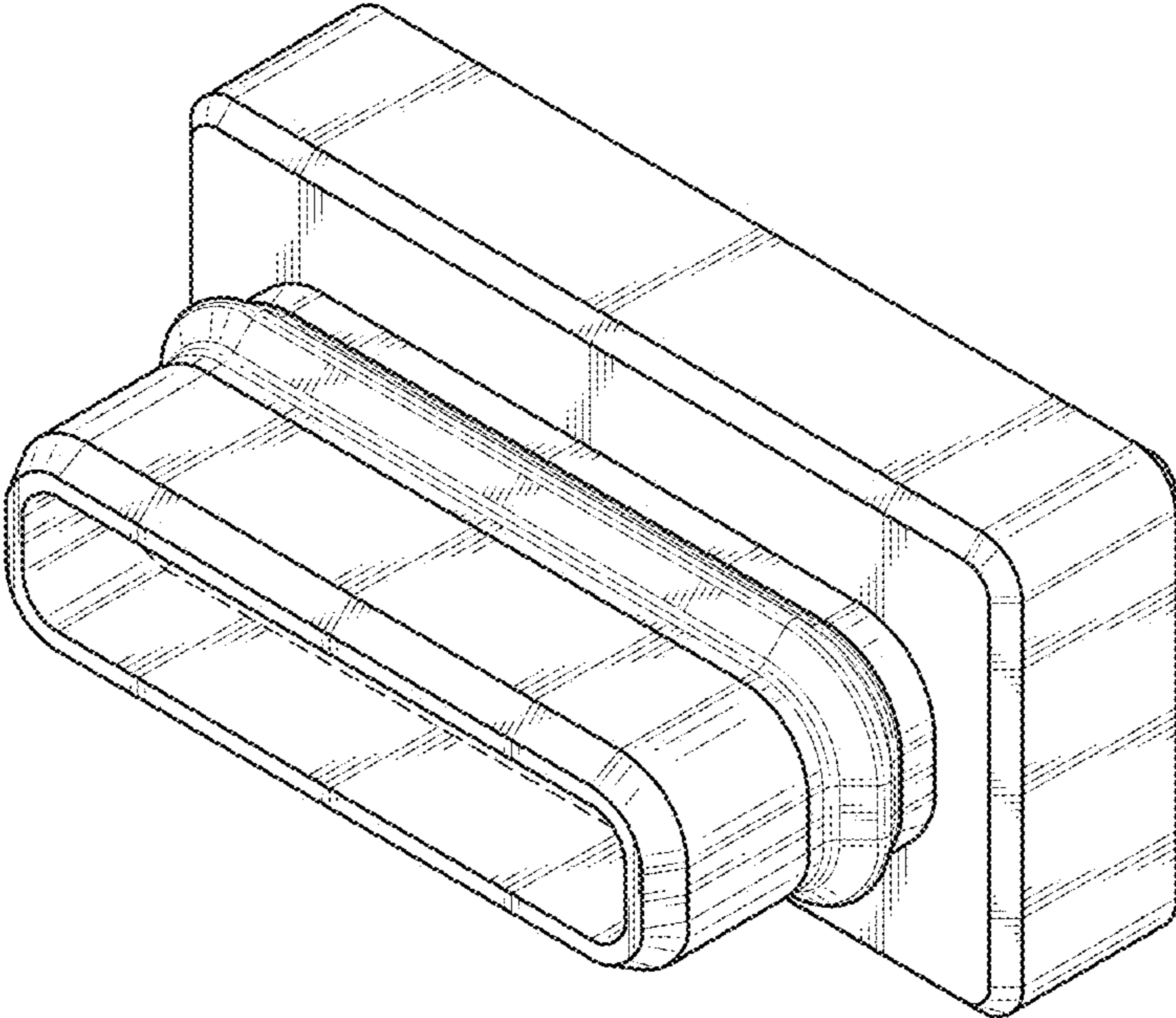


FIG. 7

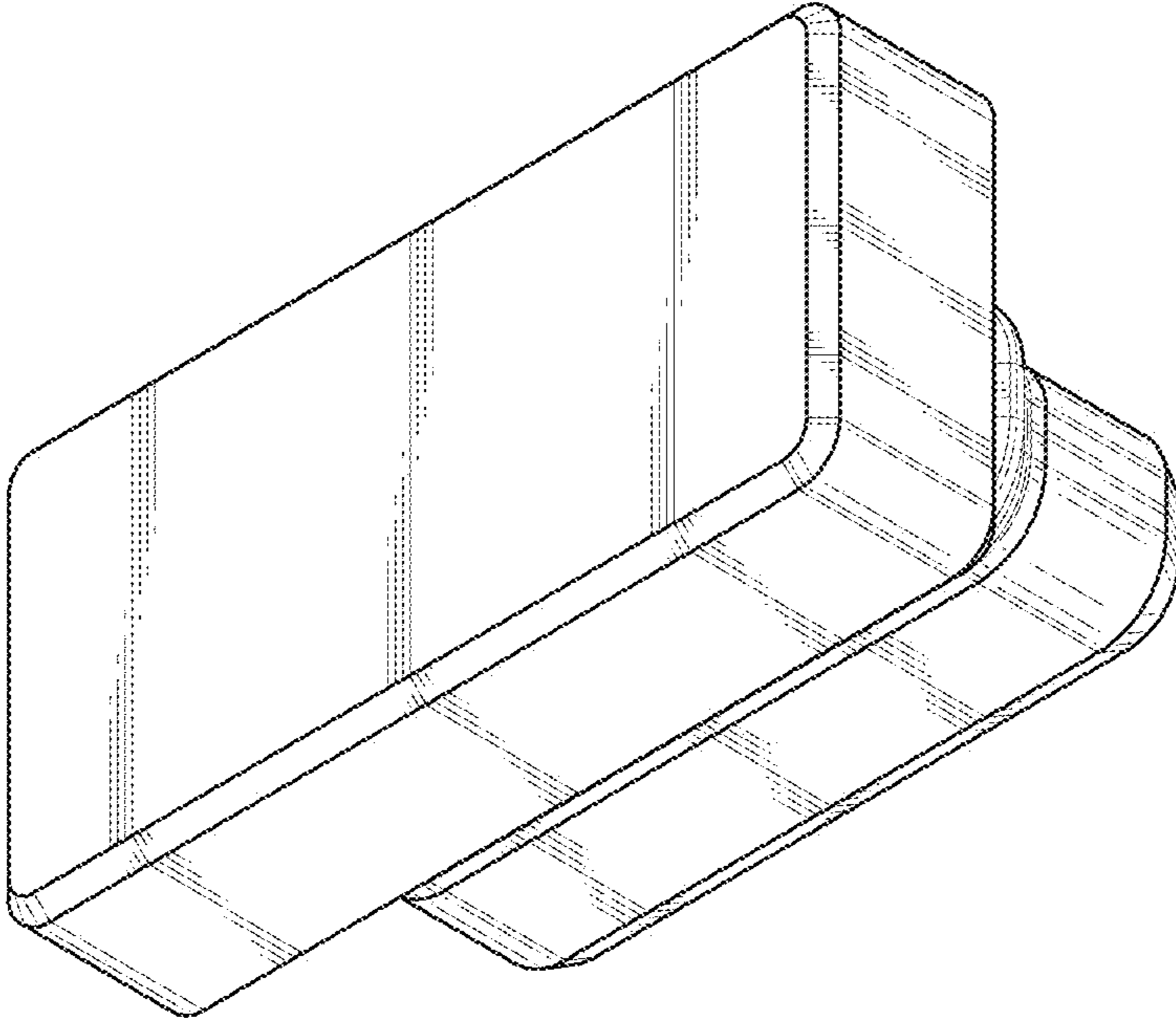


FIG. 8

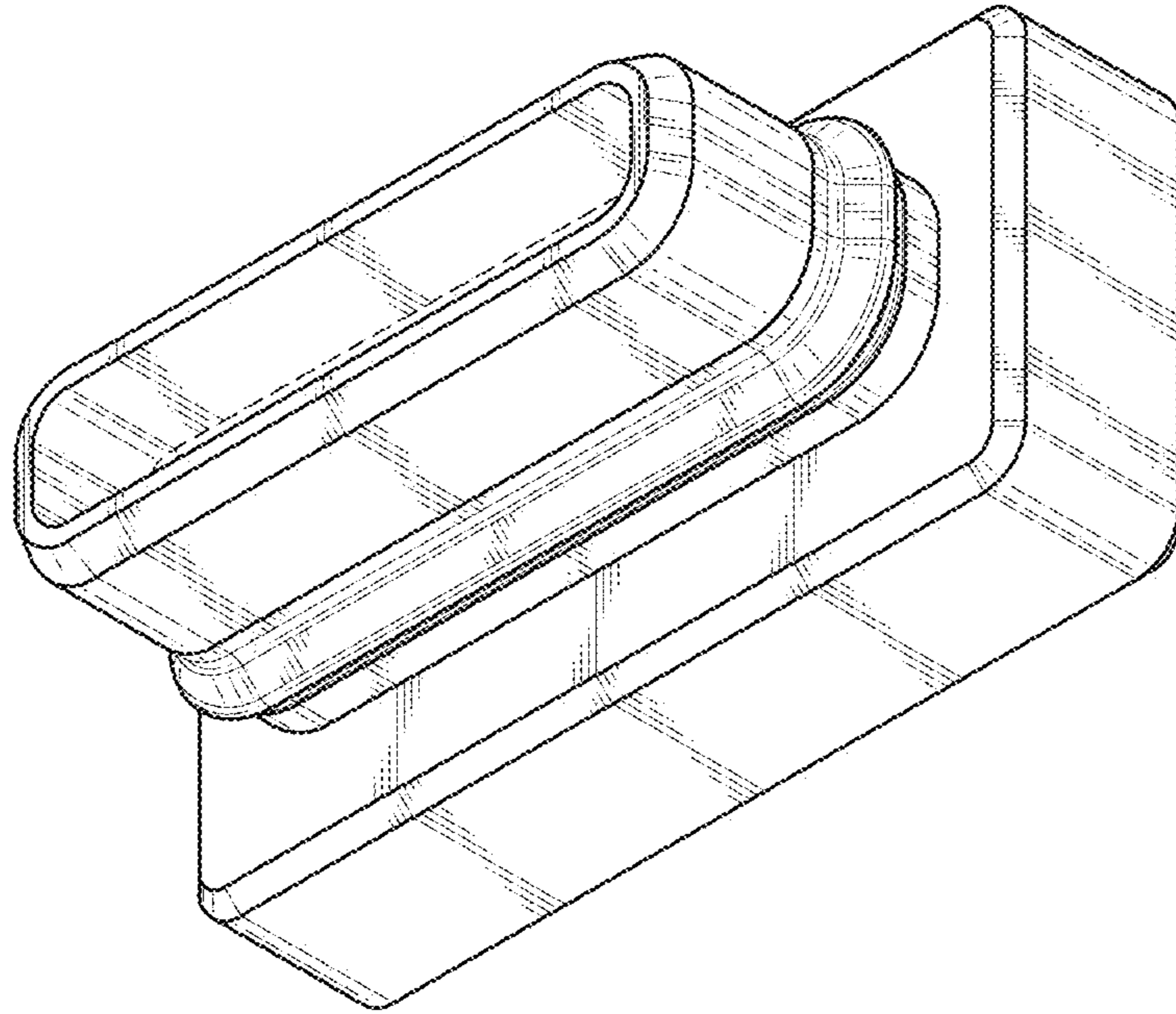


FIG. 9

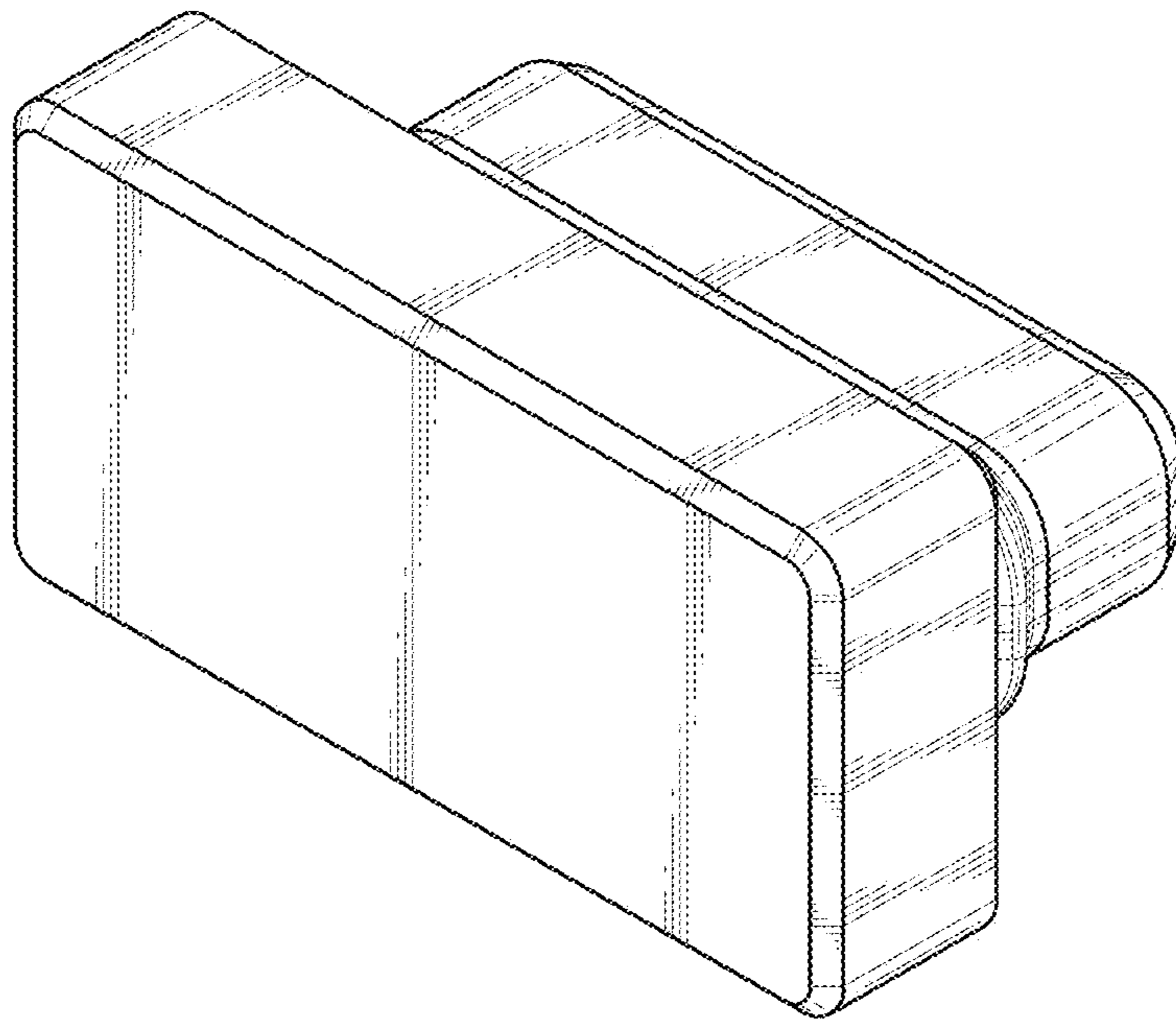


FIG. 10

UNITED STATES PATENT AND TRADEMARK OFFICE  
**CERTIFICATE OF CORRECTION**

PATENT NO. : D969,091 S  
APPLICATION NO. : 29/781713  
DATED : November 8, 2022  
INVENTOR(S) : Yuta Shimomaki

Page 1 of 1

It is certified that error appears in the above-identified patent and that said Letters Patent is hereby corrected as shown below:

On the Title Page

Please add the following after (22) Filed: Apr. 30, 2021:

--(30) Foreign Application Priority Data, Feb. 25, 2021, (JP) 2021-003862 D--.

Signed and Sealed this  
Fourteenth Day of February, 2023



Katherine Kelly Vidal  
*Director of the United States Patent and Trademark Office*