



US00D969089S

(12) **United States Design Patent**
Tang

(10) **Patent No.:** **US D969,089 S**

(45) **Date of Patent:** **** Nov. 8, 2022**

(54) **CONNECTOR GRIP**

(71) Applicant: **Shenzhen Targetever Technology Co., Ltd.**, Guangdong (CN)

(72) Inventor: **Xiancheng Tang**, Guangdong (CN)

(73) Assignee: **Shenzhen Targetever Technology Co., Ltd.**, Guangdong (CN)

(**) Term: **15 Years**

(21) Appl. No.: **29/738,106**

(22) Filed: **Jun. 15, 2020**

(51) **LOC (13) Cl.** **13-03**

(52) **U.S. Cl.**
USPC **D13/154**

(58) **Field of Classification Search**
USPC D13/146, 147, 123, 133, 154,
D13/137.1-139.8, 110, 159, 184, 199
CPC H01R 11/24; H01R 13/41; H01R 13/58;
H01R 13/585
See application file for complete search history.

(56) **References Cited**

U.S. PATENT DOCUMENTS

D186,887 S * 12/1959 Yarisk, Jr. D13/133
D214,272 S * 5/1969 Pautrie D23/265
D400,858 S * 11/1998 Goto D13/147
D415,144 S * 10/1999 Roberts D13/147

D533,137 S * 12/2006 Henriksson D13/149
D643,812 S * 8/2011 Kohlrausch D13/110
D670,656 S * 11/2012 Jepsen D13/154
D715,226 S * 10/2014 Rostami D13/144
D729,168 S * 5/2015 Vaccaro D13/133
D939,461 S * 12/2021 Kroneberger D13/184

FOREIGN PATENT DOCUMENTS

CN 304980490 * 1/2019

* cited by examiner

Primary Examiner — Bridget L Eland

(74) *Attorney, Agent, or Firm* — ScienBiziP, P.C.

(57) **CLAIM**

The ornamental design for a connector grip, as shown and described.

DESCRIPTION

FIG. 1 is a front perspective view of a connector grip, showing my design.

FIG. 2 is a front elevation view thereof.

FIG. 3 is a rear elevation view thereof.

FIG. 4 is a left side elevation view thereof.

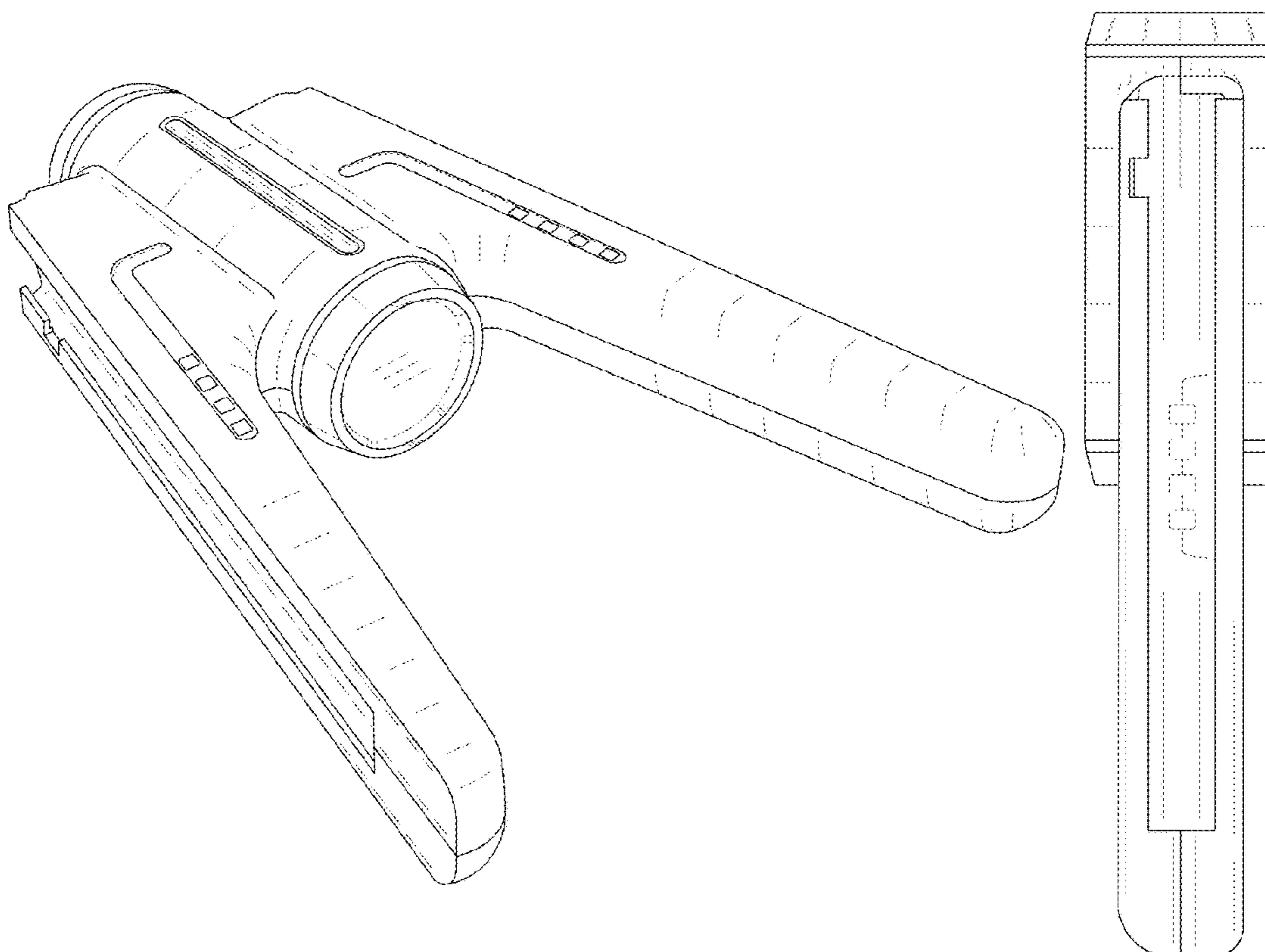
FIG. 5 is a right side elevation view thereof.

FIG. 6 is a top plan view thereof; and,

FIG. 7 is a bottom plan view thereof.

The broken lines in the drawings show portions of the connector grip that form no part of the claimed design.

1 Claim, 7 Drawing Sheets



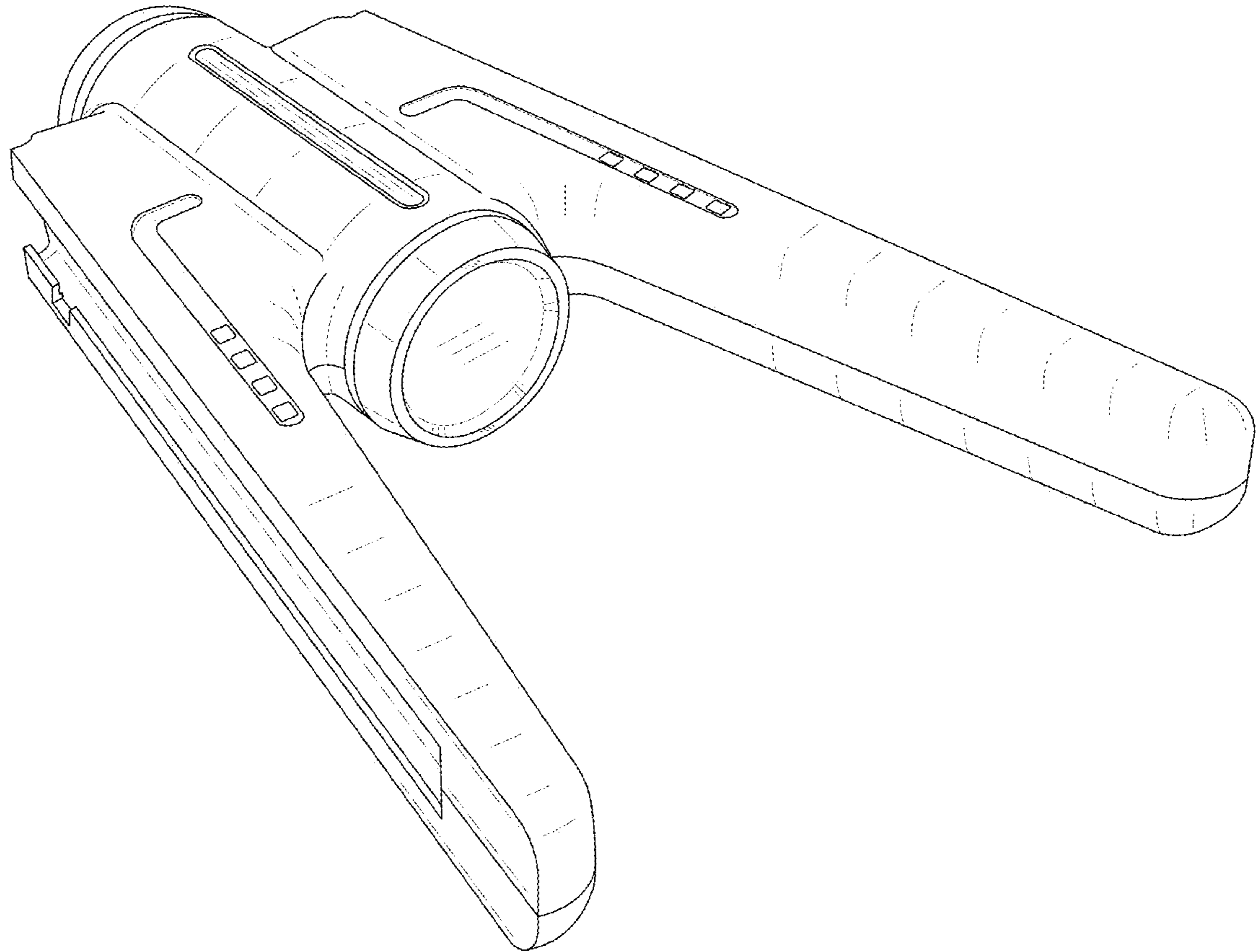


FIG.1

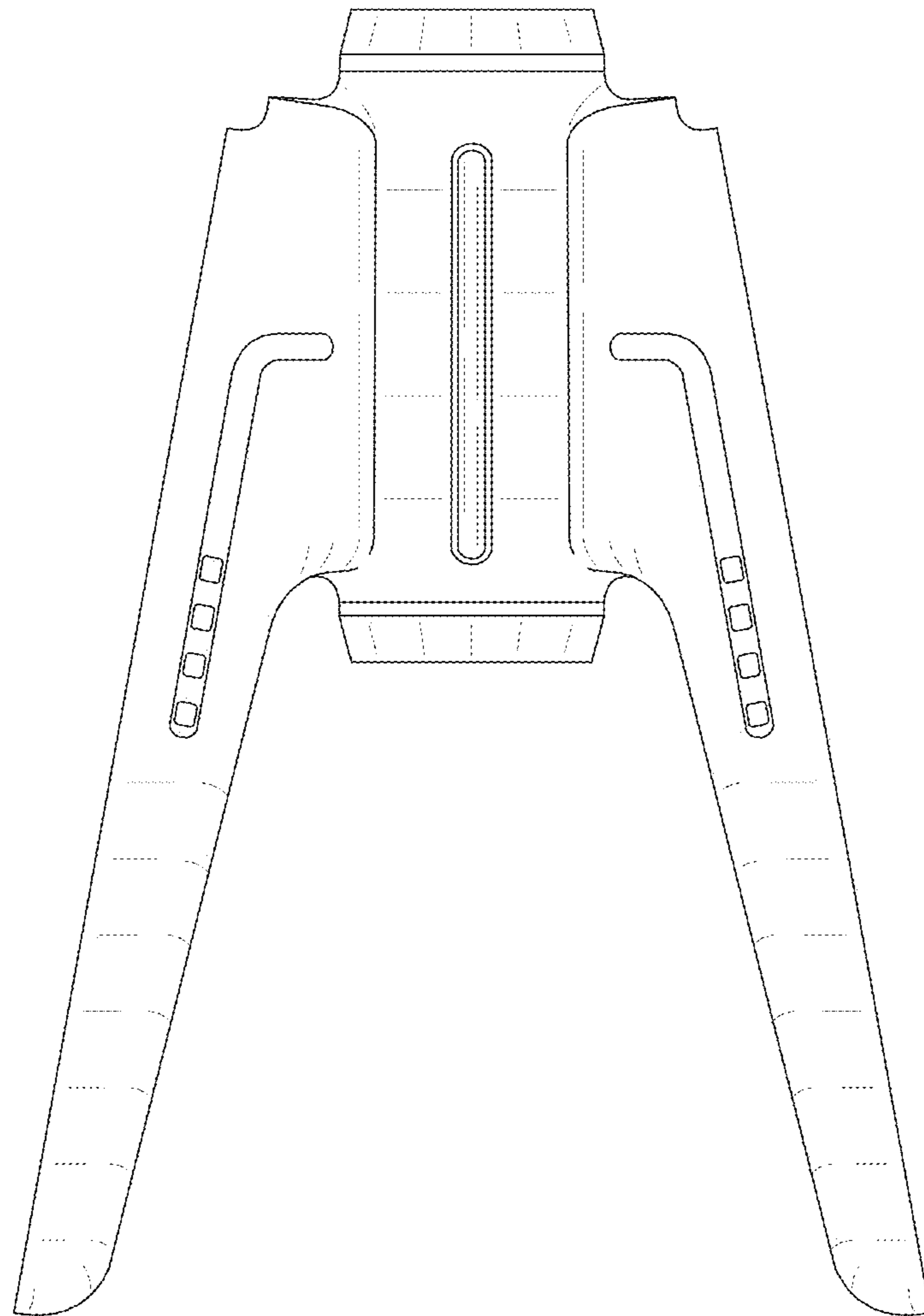


FIG.2

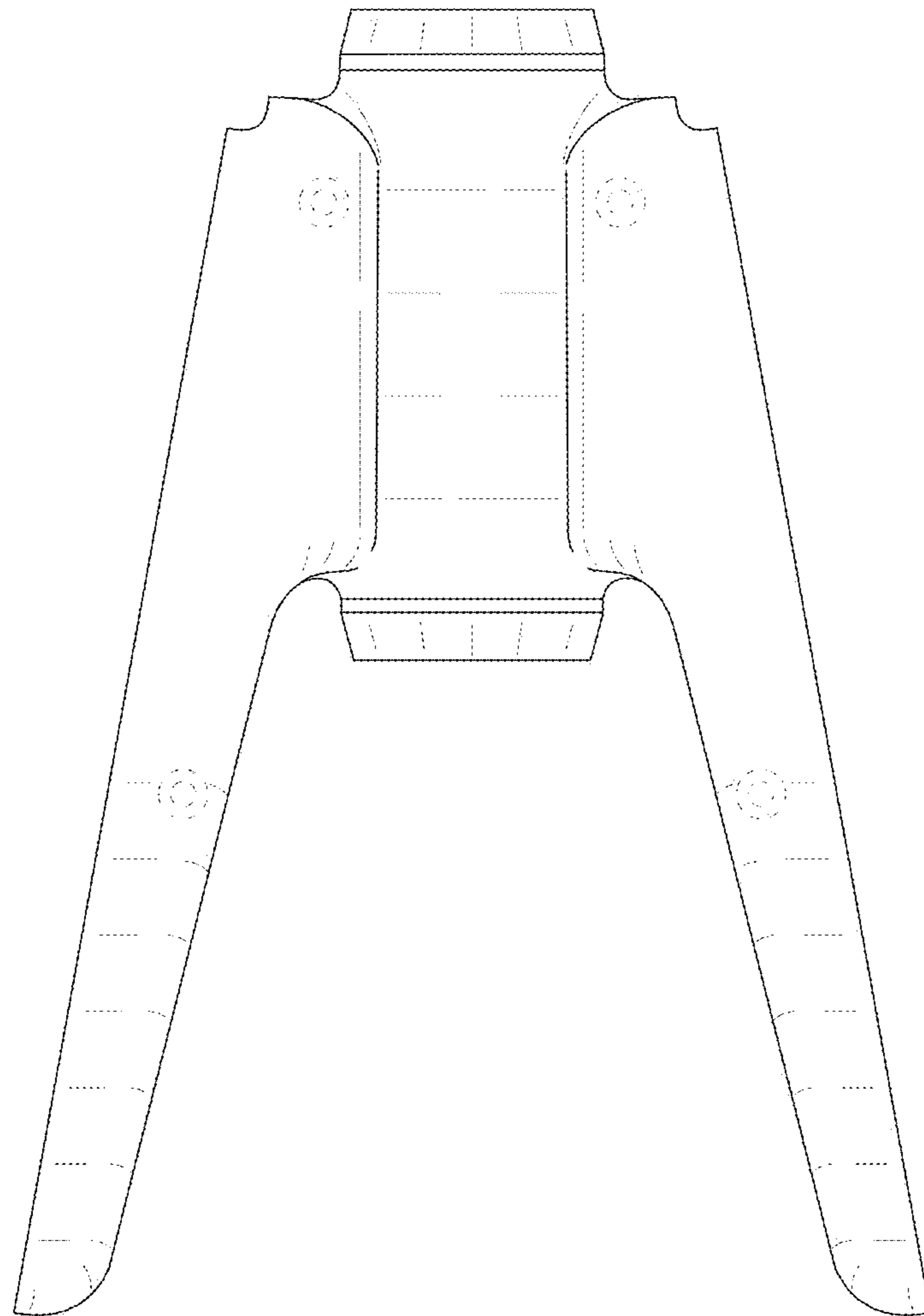


FIG.3

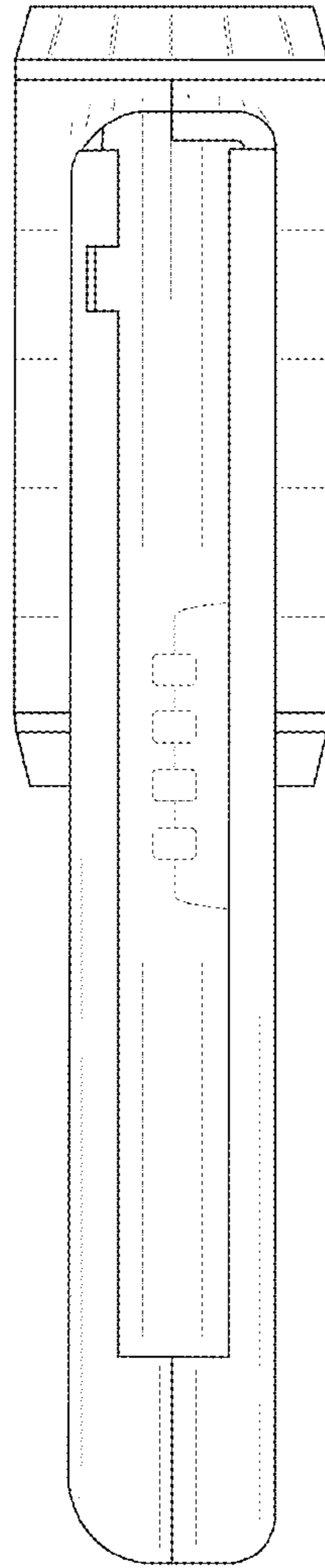


FIG.4

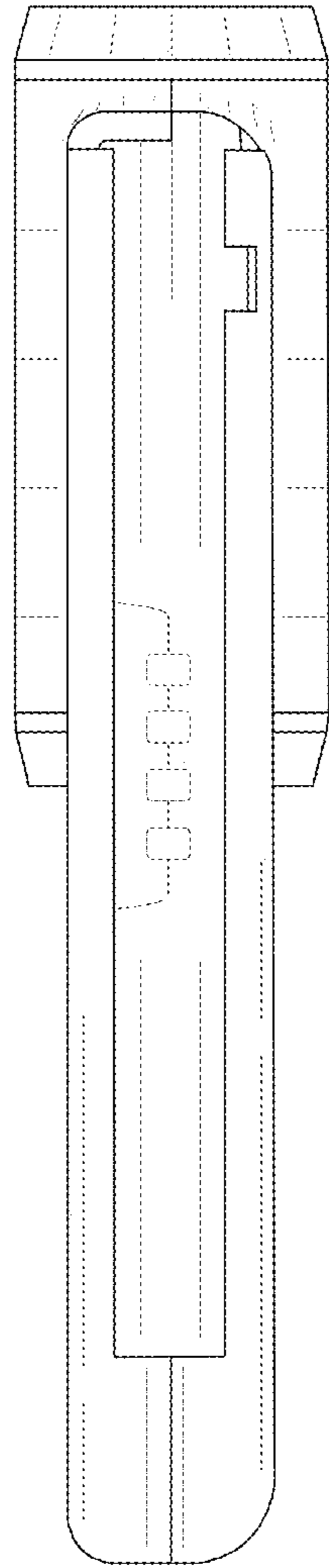


FIG.5

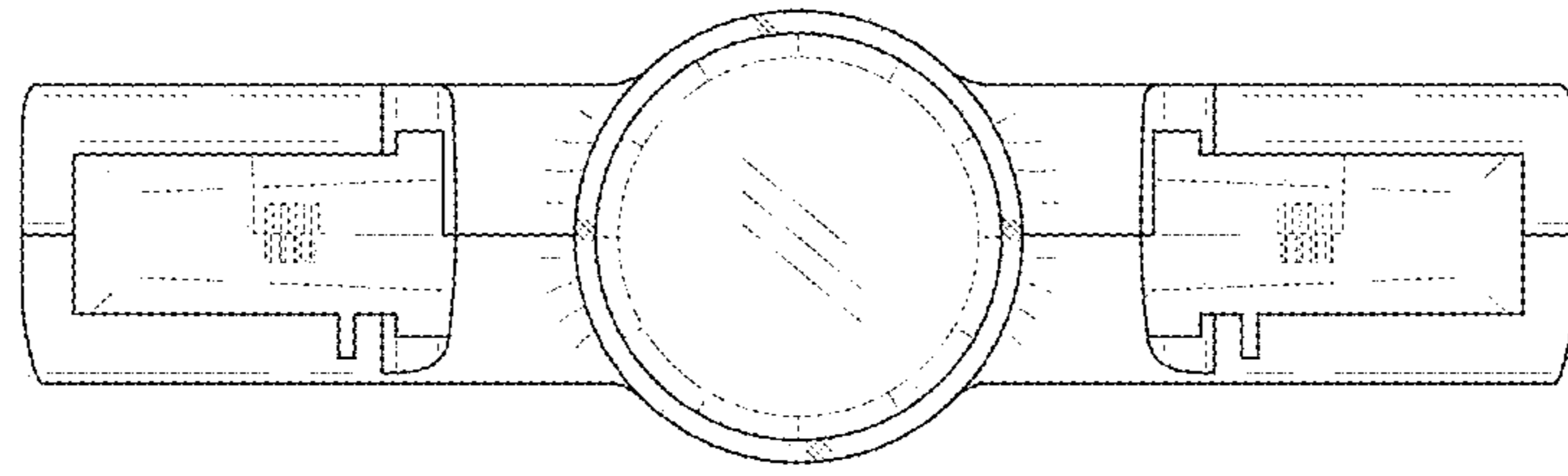


FIG.6

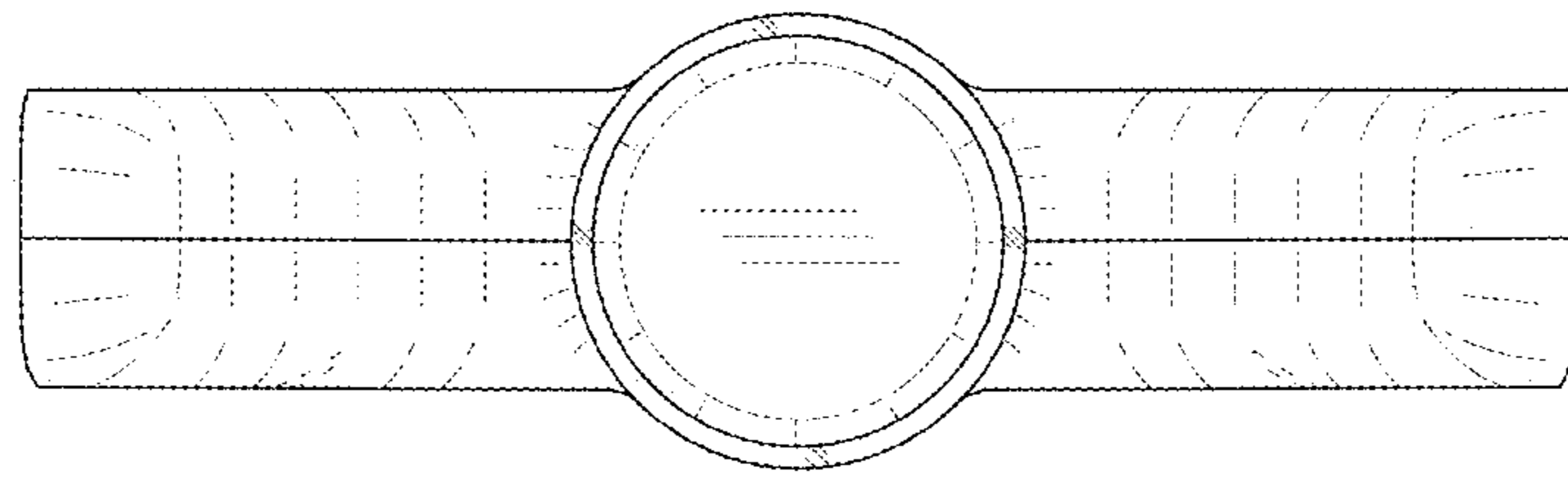


FIG.7