



US00D969088S

(12) **United States Design Patent**  
**Yuan**

(10) **Patent No.:** **US D969,088 S**

(45) **Date of Patent:** **\*\* Nov. 8, 2022**

(54) **CAR CHARGER**

(71) Applicant: **Yuecheng Yuan**, Guangdong (CN)

(72) Inventor: **Yuecheng Yuan**, Guangdong (CN)

(\*\*) Term: **15 Years**

(21) Appl. No.: **29/779,919**

(22) Filed: **Apr. 21, 2021**

(51) **LOC (13) Cl.** ..... **13-03**

(52) **U.S. Cl.**  
USPC ..... **D13/144**

(58) **Field of Classification Search**  
USPC ..... D13/144, 110; D14/155  
CPC ..... H01R 31/02; H01R 31/065  
See application file for complete search history.

(56) **References Cited**

**U.S. PATENT DOCUMENTS**

D315,543 S *	3/1991	Soren	.....	D13/133
D406,261 S *	3/1999	Kettula	.....	D13/107
7,679,322 B1 *	3/2010	Griffin	.....	H02J 7/0042
				362/183
D637,557 S *	5/2011	Wegener	.....	D13/144
D672,313 S *	12/2012	Smith	.....	D13/144

D750,565 S *	3/2016	Venida	.....	D13/144
D805,034 S *	12/2017	Joseph	.....	D13/108
D951,898 S *	5/2022	Ning	.....	D14/144

\* cited by examiner

*Primary Examiner* — Jennifer O King

(74) *Attorney, Agent, or Firm* — ScienBiziP, P.C.

(57) **CLAIM**

The ornamental design for a car charger, as shown and described.

**DESCRIPTION**

FIG. 1 is a front, left, and top perspective view of a car charger, showing my design.

FIG. 2 is a rear, right, and top perspective view thereof.

FIG. 3 is a front elevation view thereof.

FIG. 4 is a rear elevation view thereof.

FIG. 5 is a left side elevation view thereof.

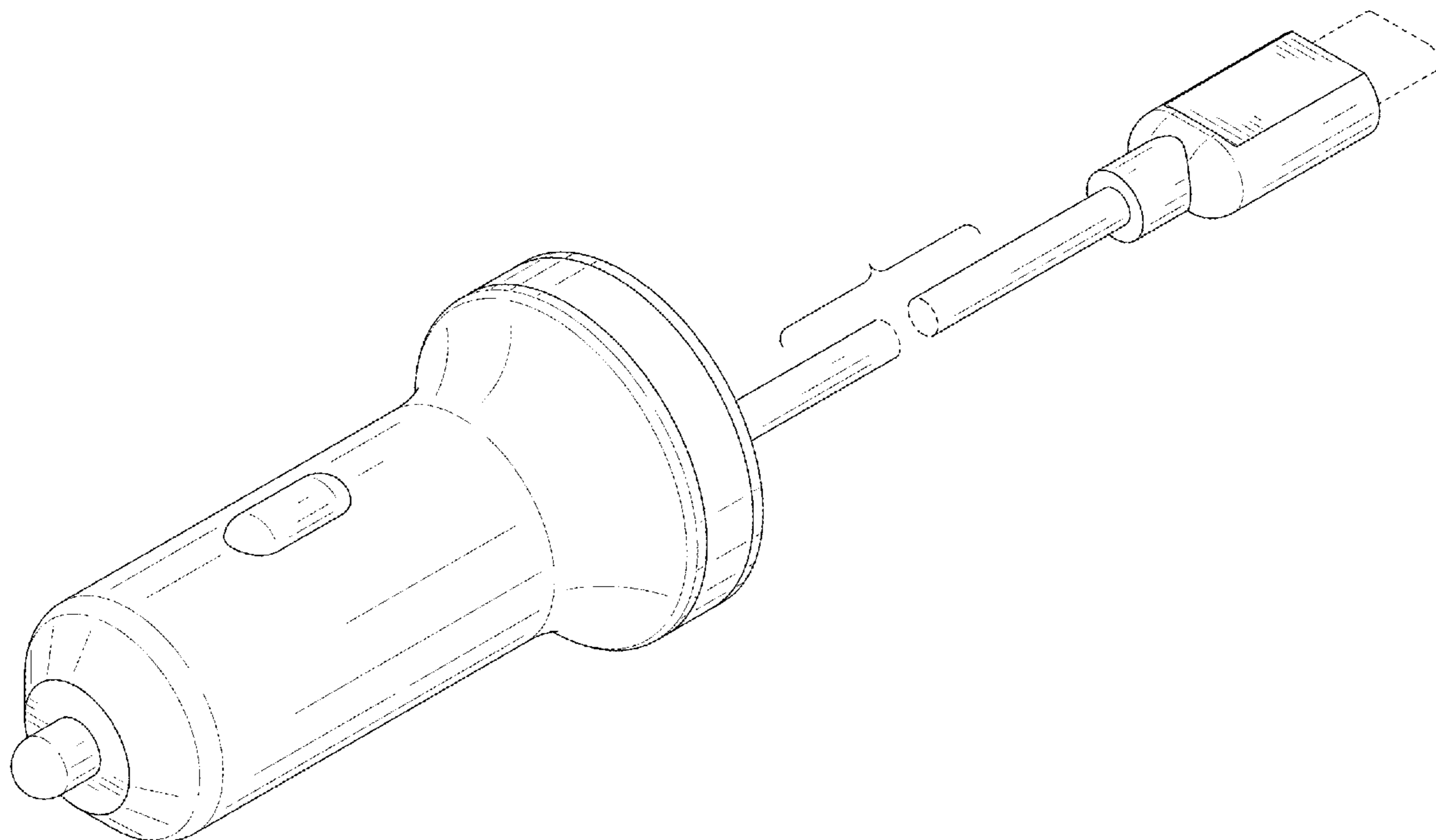
FIG. 6 is a right side elevation view thereof.

FIG. 7 is a top plan view thereof; and,

FIG. 8 is a bottom plan view thereof.

The broken lines shown in the drawings are included for the purpose of illustrating portions of the car charger that form no part of the claimed design.

**1 Claim, 8 Drawing Sheets**



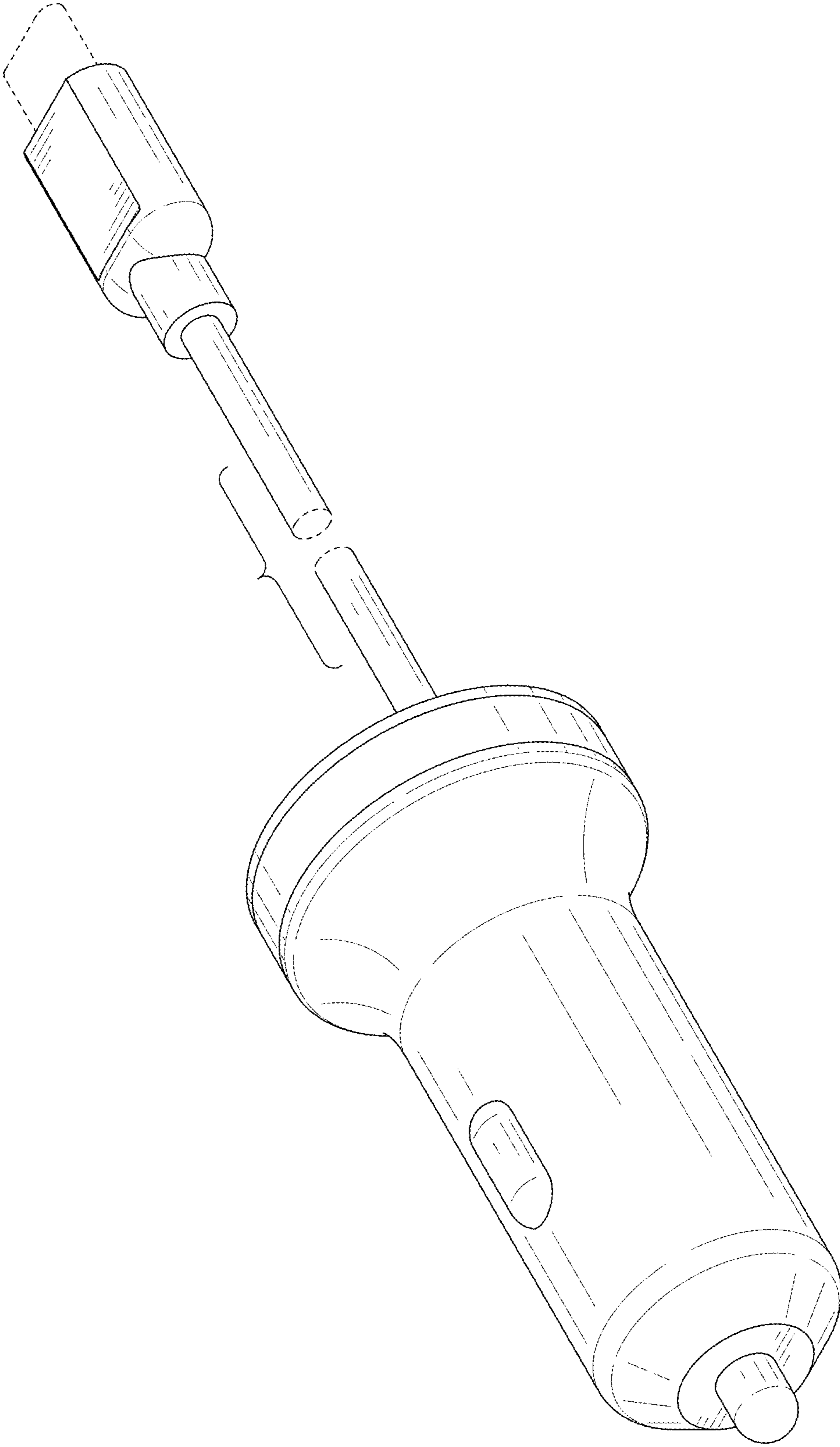


FIG. 1

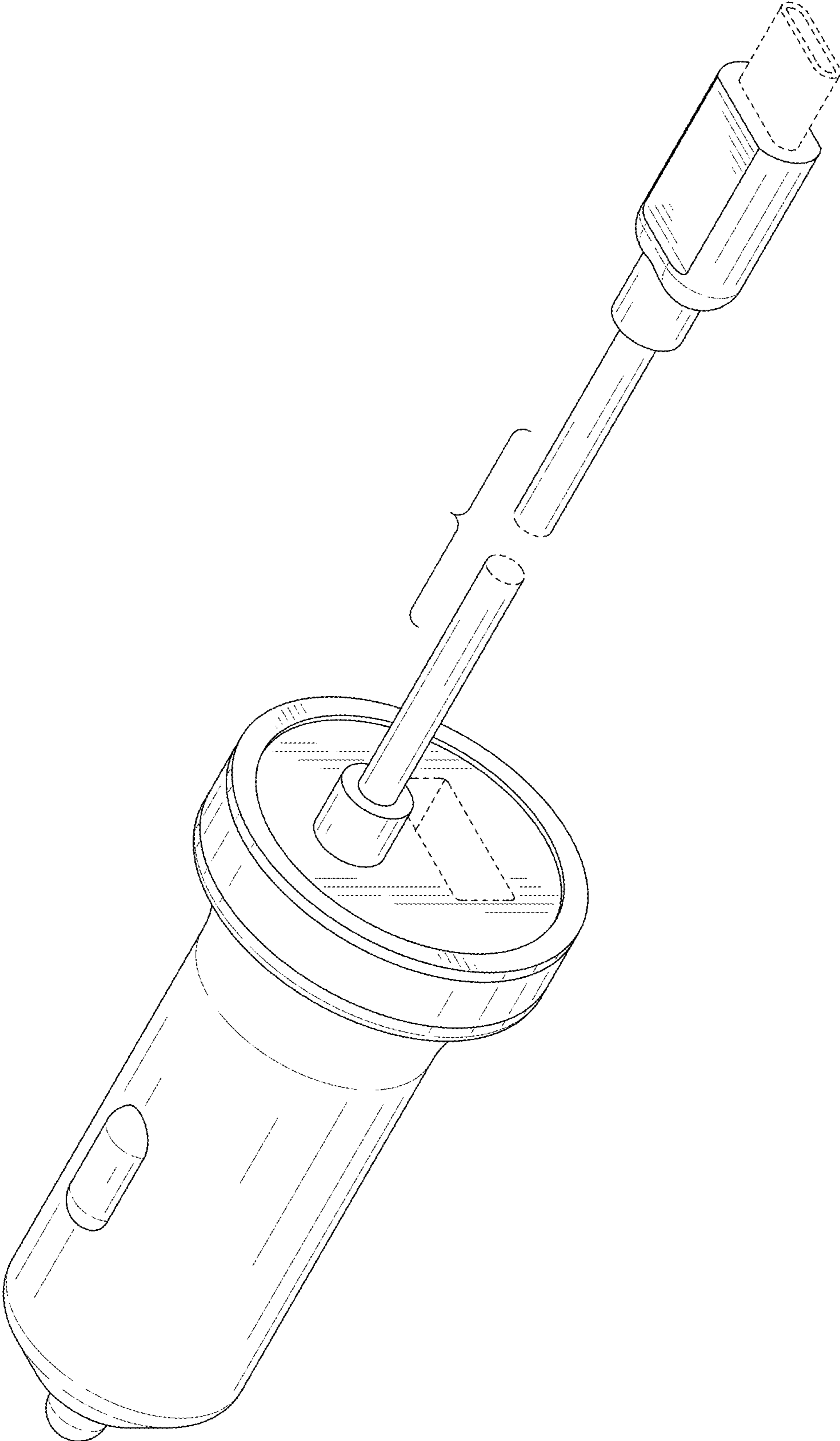


FIG. 2

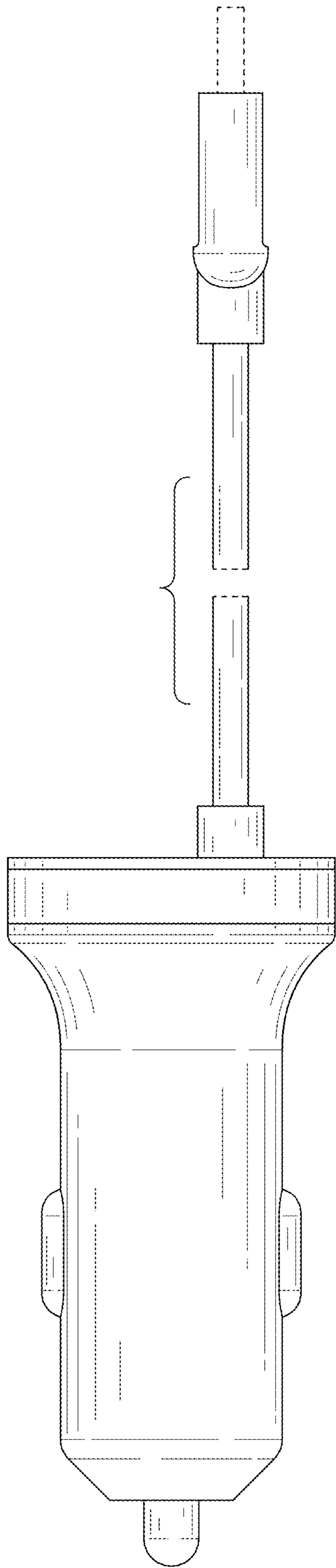


FIG. 3

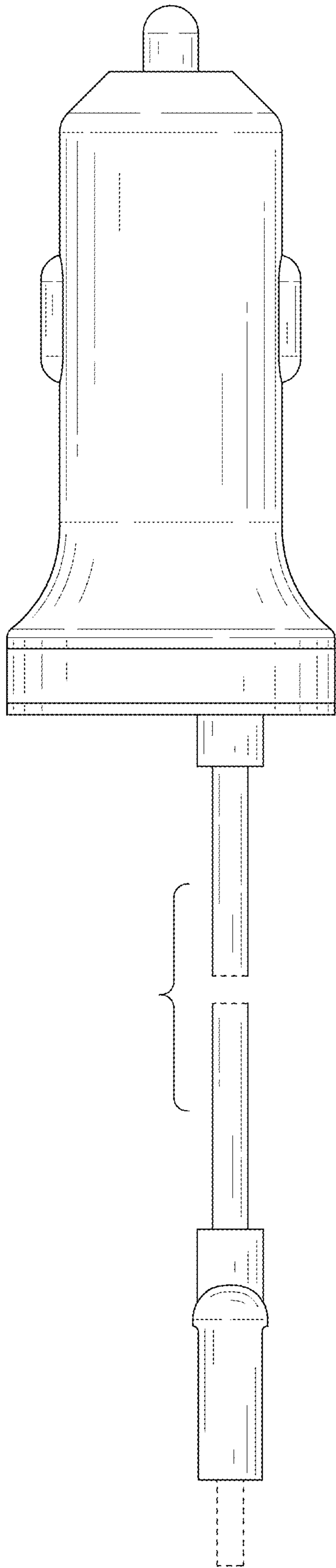


FIG. 4

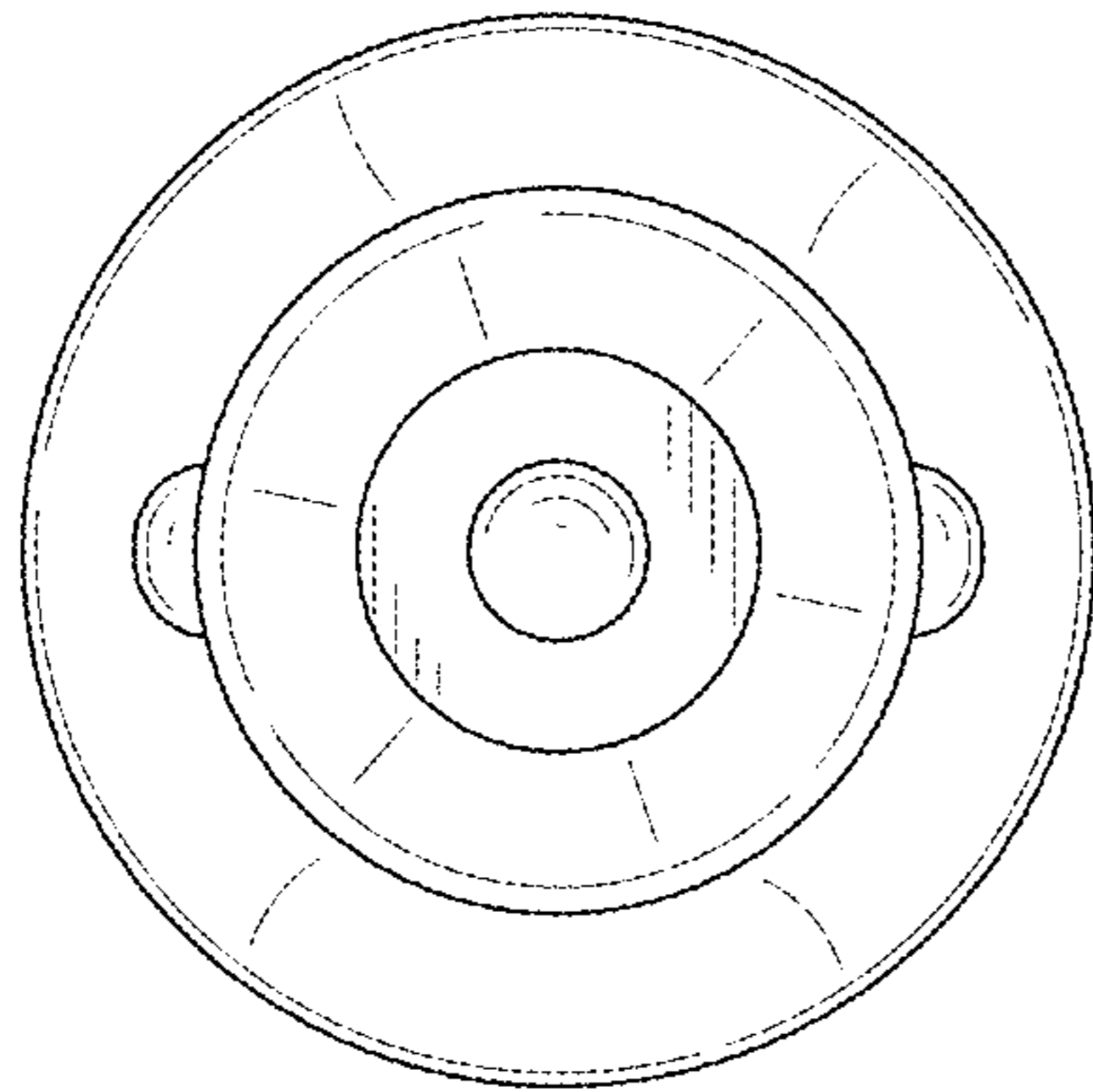


FIG. 5

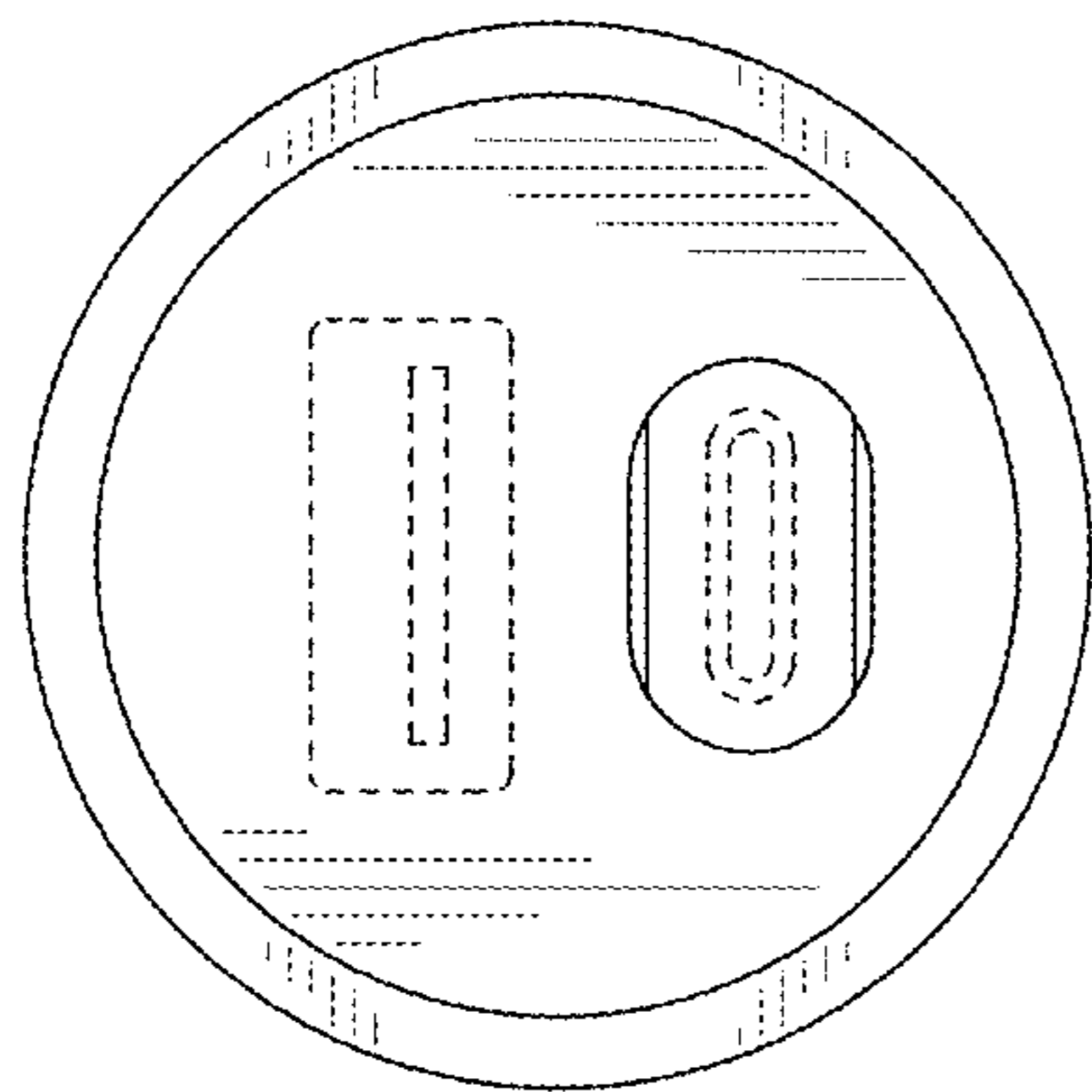


FIG. 6

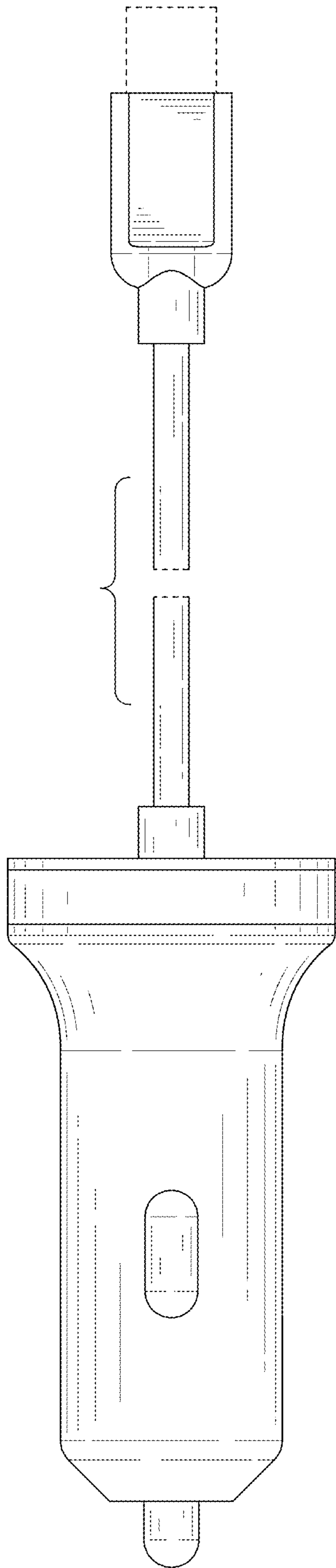


FIG. 7



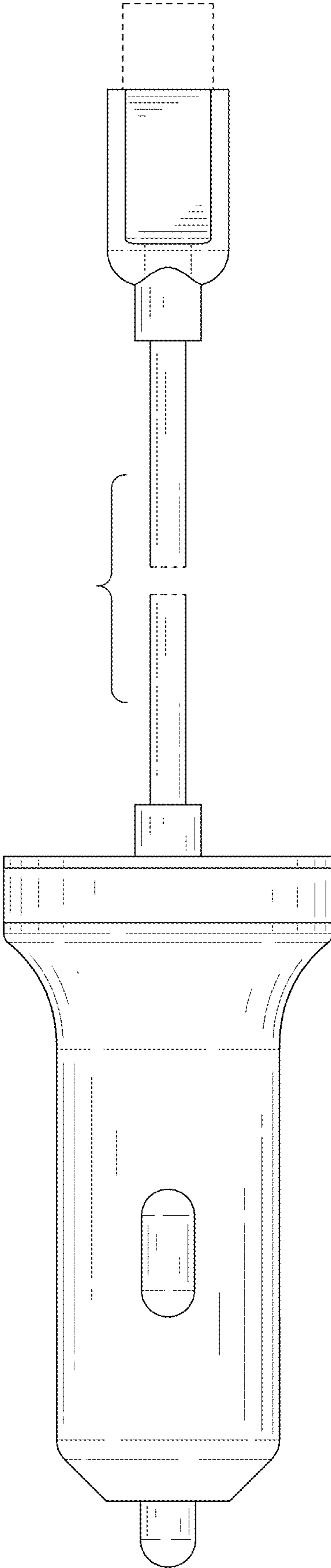


FIG. 8