



US00D969082S

(12) **United States Design Patent**
Tang et al.

(10) **Patent No.:** **US D969,082 S**

(45) **Date of Patent:** **** Nov. 8, 2022**

(54) **ELECTRICAL CONNECTOR**

(71) Applicant: **DONGGUAN LEADER PRECISION INDUSTRY CO., LTD.**, Dongguan (CN)

(72) Inventors: **Bingquan Tang**, Dongguan (CN);
Xiaoqing Zhang, Dongguan (CN);
Lijun Xu, Dongguan (CN)

(73) Assignee: **DONGGUAN LEADER PRECISION INDUSTRY CO., LTD.**, Dongguan (CN)

(**) Term: **15 Years**

(21) Appl. No.: **29/740,613**

(22) Filed: **Jul. 6, 2020**

(30) **Foreign Application Priority Data**

Mar. 27, 2020 (CN) 202030112903.5

(51) **LOC (13) Cl.** **13-03**

(52) **U.S. Cl.**
USPC **D13/133; D13/147**

(58) **Field of Classification Search**
USPC D13/119–120, 133–134, 146–147, 149,
D13/153–154, 174, 182, 199; D14/433
CPC .. H01R 12/716; H01R 12/724; H01R 13/629;
H01R 13/6471; H01R 13/6593; H01R
13/6594; H01R 24/60
See application file for complete search history.

(56) **References Cited**

U.S. PATENT DOCUMENTS

D737,211 S * 8/2015 Little D13/147
D867,301 S * 11/2019 Saitou D13/147
10,468,824 B2 * 11/2019 Lin H01R 13/6593
D921,592 S * 6/2021 Ueda D13/147

D924,164 S * 7/2021 Shimomaki D13/147
D937,218 S * 11/2021 Ueda D13/147
D943,534 S * 2/2022 Shimomaki D13/147
D945,374 S * 3/2022 Shimomaki D13/147
2010/0210124 A1* 8/2010 Li H01R 12/724
439/108
2015/0311645 A1* 10/2015 Chang H01R 13/6594
439/607.28
2017/0187140 A1* 6/2017 Tsai H01R 24/60
(Continued)

OTHER PUBLICATIONS

LuxshareICT, Date: Aug. 11, 2016, [online], [site visited Mar. 8, 2022]. Available from internet, URL: https://en.luxshare-ict.com/content/details376_1966.html (Year: 2016).*

Primary Examiner — Shawn T Gingrich

Assistant Examiner — Bryan N. Melvin

(74) *Attorney, Agent, or Firm* — Birch, Stewart, Kolasch & Birch, LLP

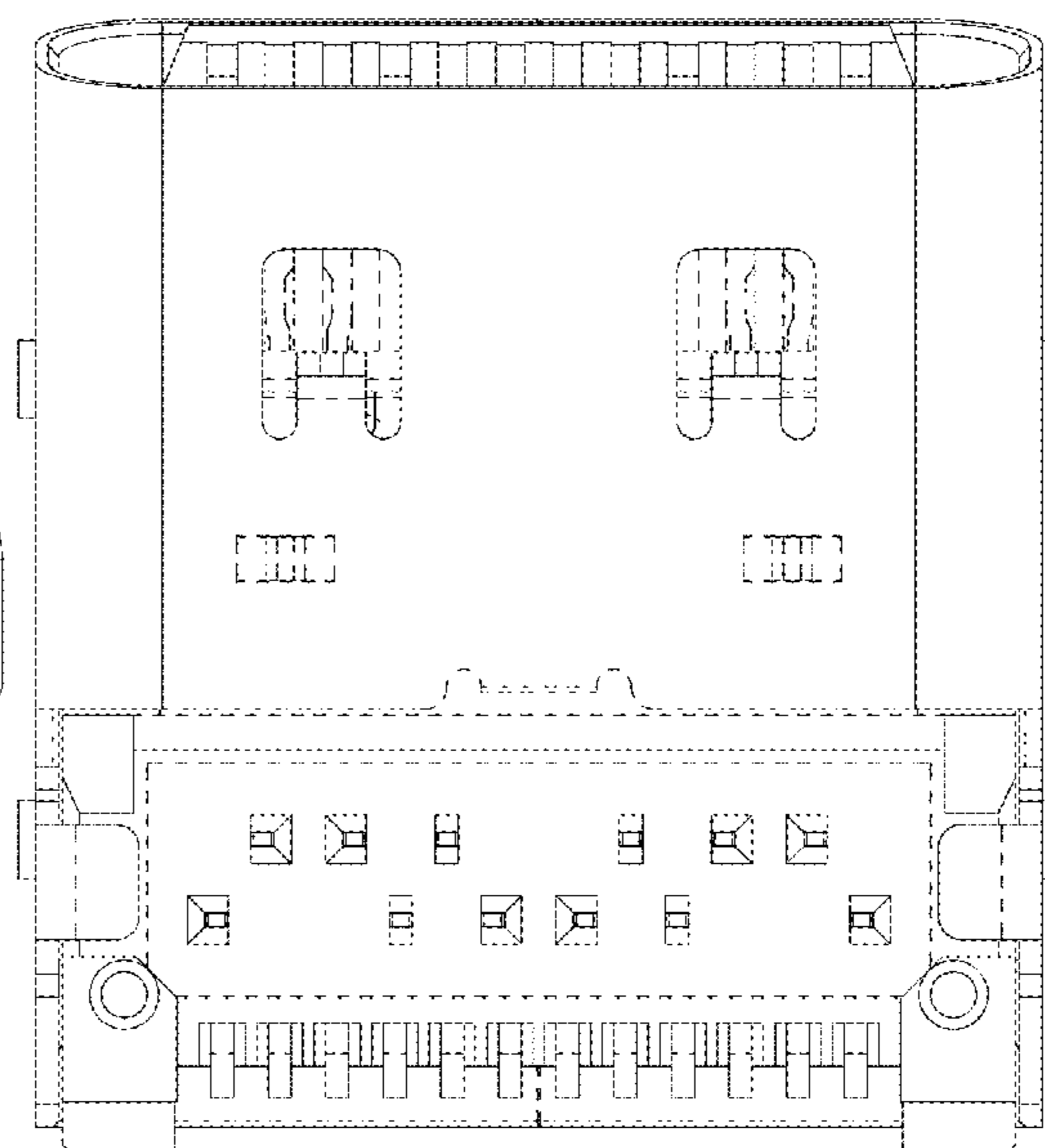
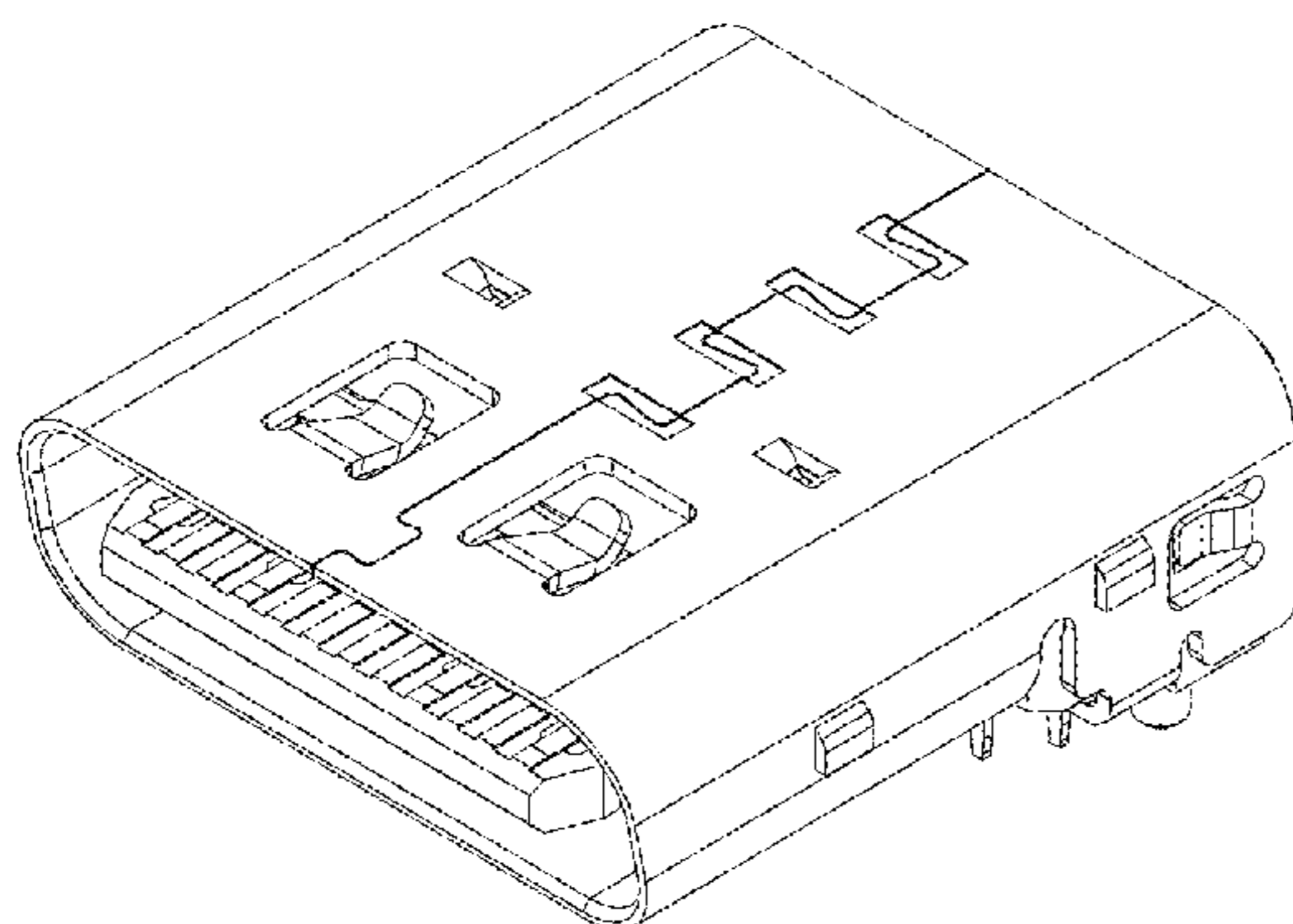
(57) **CLAIM**

The ornamental design for an electrical connector, as shown and described.

DESCRIPTION

FIG. 1 is a front, top and right side perspective view of an electrical connector showing our new design;
FIG. 2 is a front elevational view of the electrical connector;
FIG. 3 is a rear elevational view of the electrical connector;
FIG. 4 is a left side elevational view of the electrical connector;
FIG. 5 is a right side elevational view of the electrical connector;
FIG. 6 is a top plan view of the electrical connector; and,
FIG. 7 is a bottom plan view of the electrical connector.
The broken lines in the drawings illustrate portions of the electrical connector that form no part of the claimed design.

1 Claim, 7 Drawing Sheets



(56)

References Cited

U.S. PATENT DOCUMENTS

2020/0136315 A1* 4/2020 Tanaka H01R 13/6471
2021/0210896 A1* 7/2021 Xu H01R 12/716
2021/0296817 A1* 9/2021 Su H01R 13/629
2021/0305755 A1* 9/2021 Tang H01R 12/724

* cited by examiner

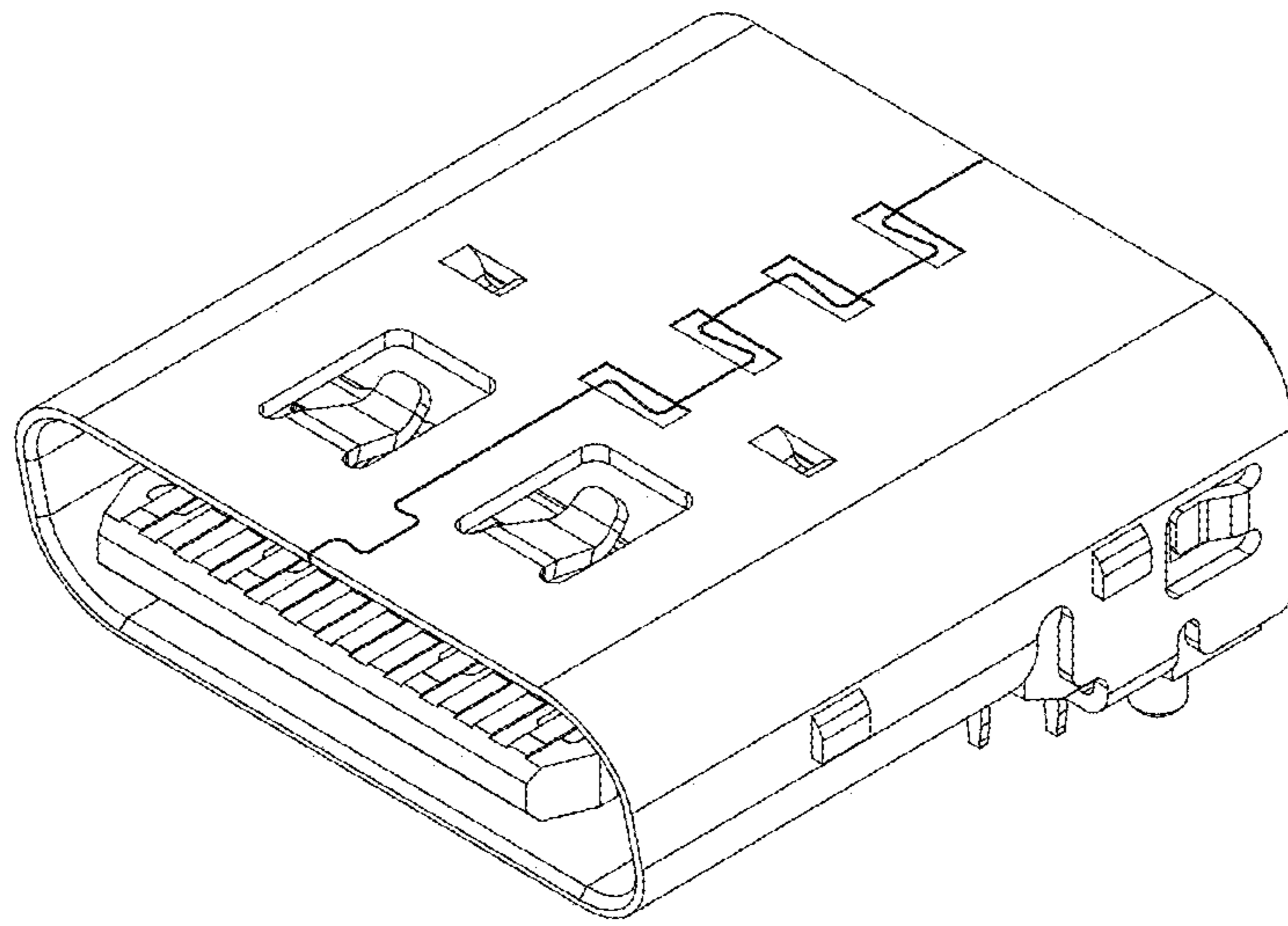


FIG. 1

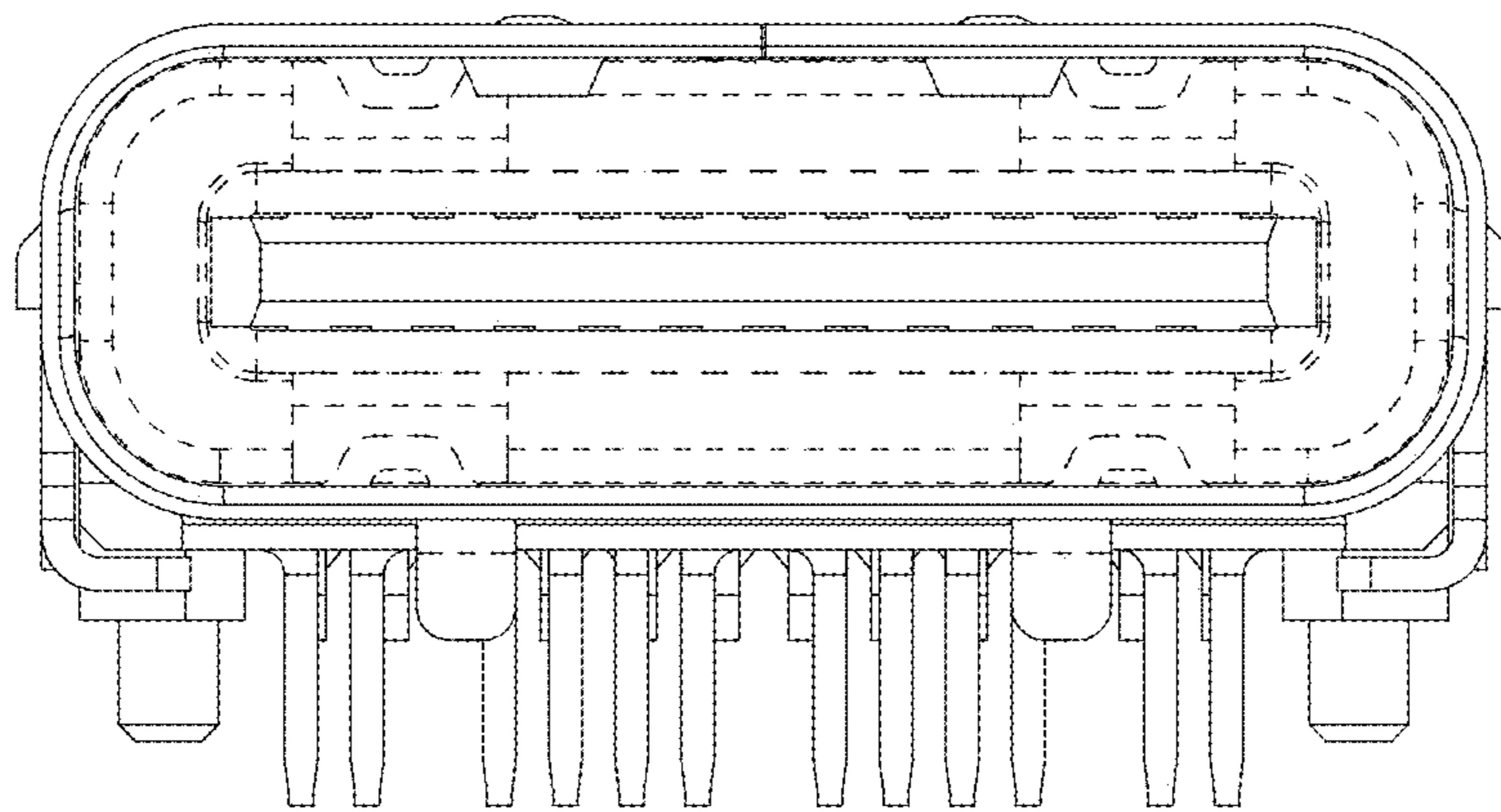


FIG. 2

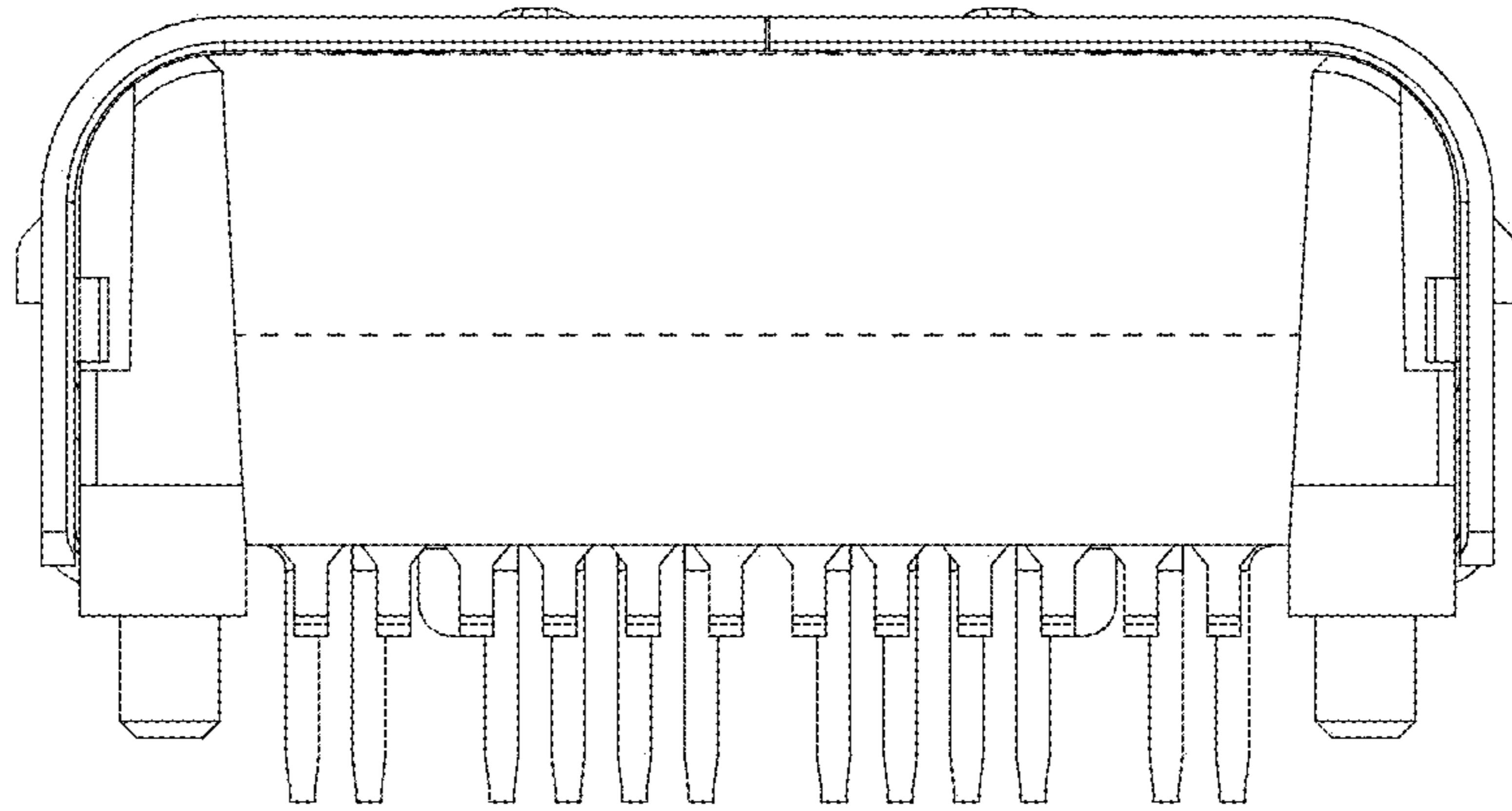


FIG. 3

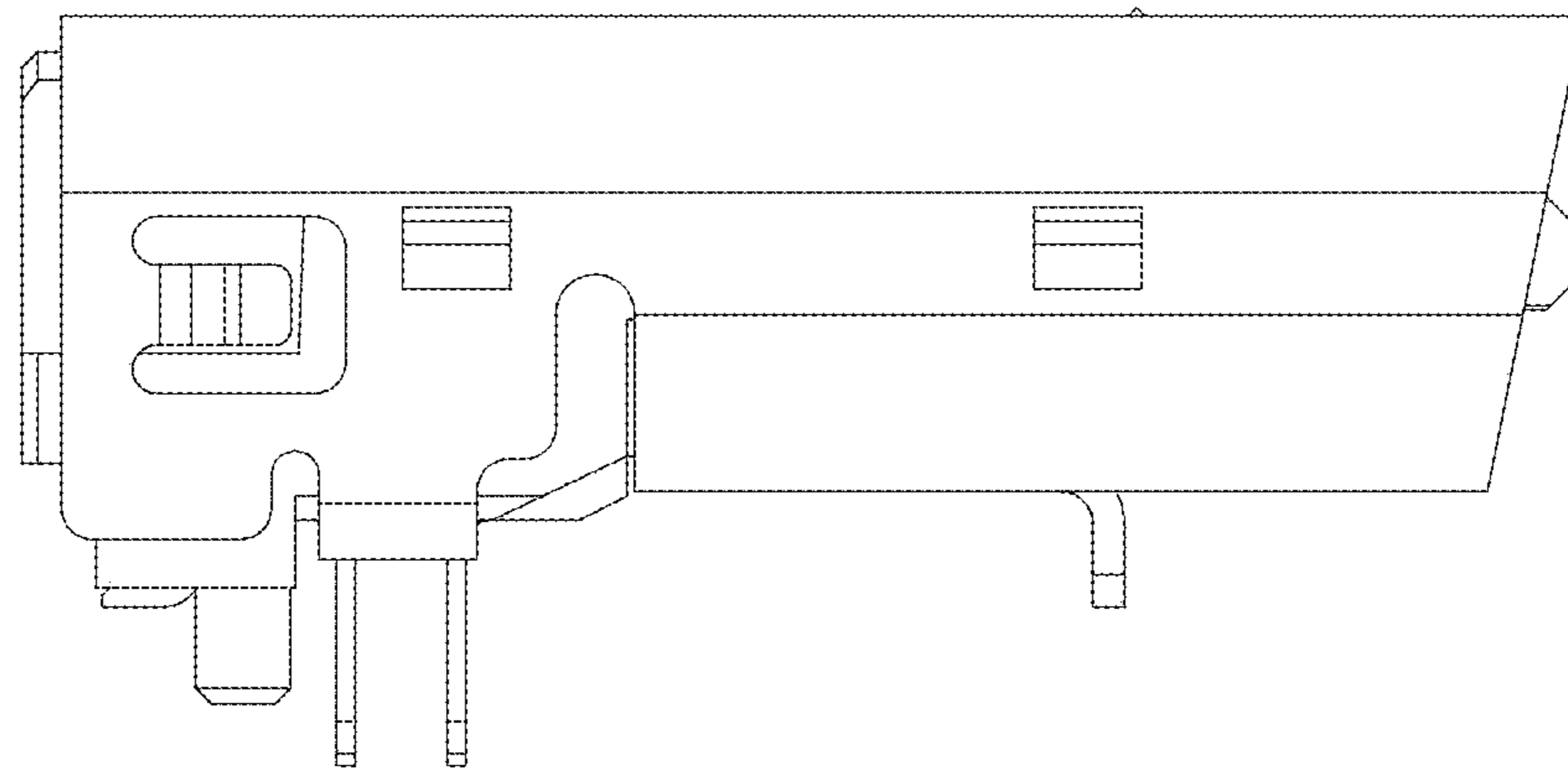


FIG. 4

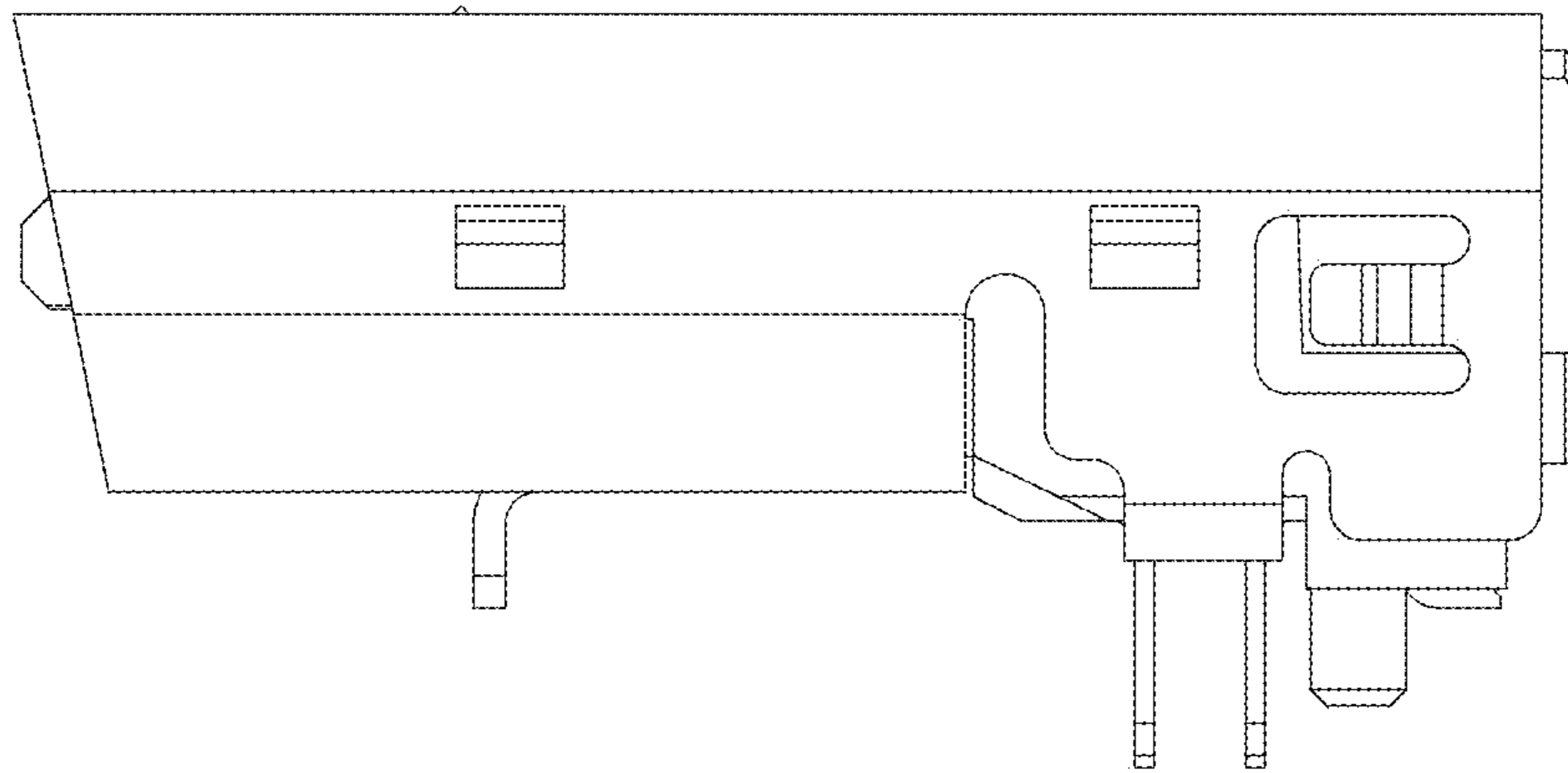


FIG. 5

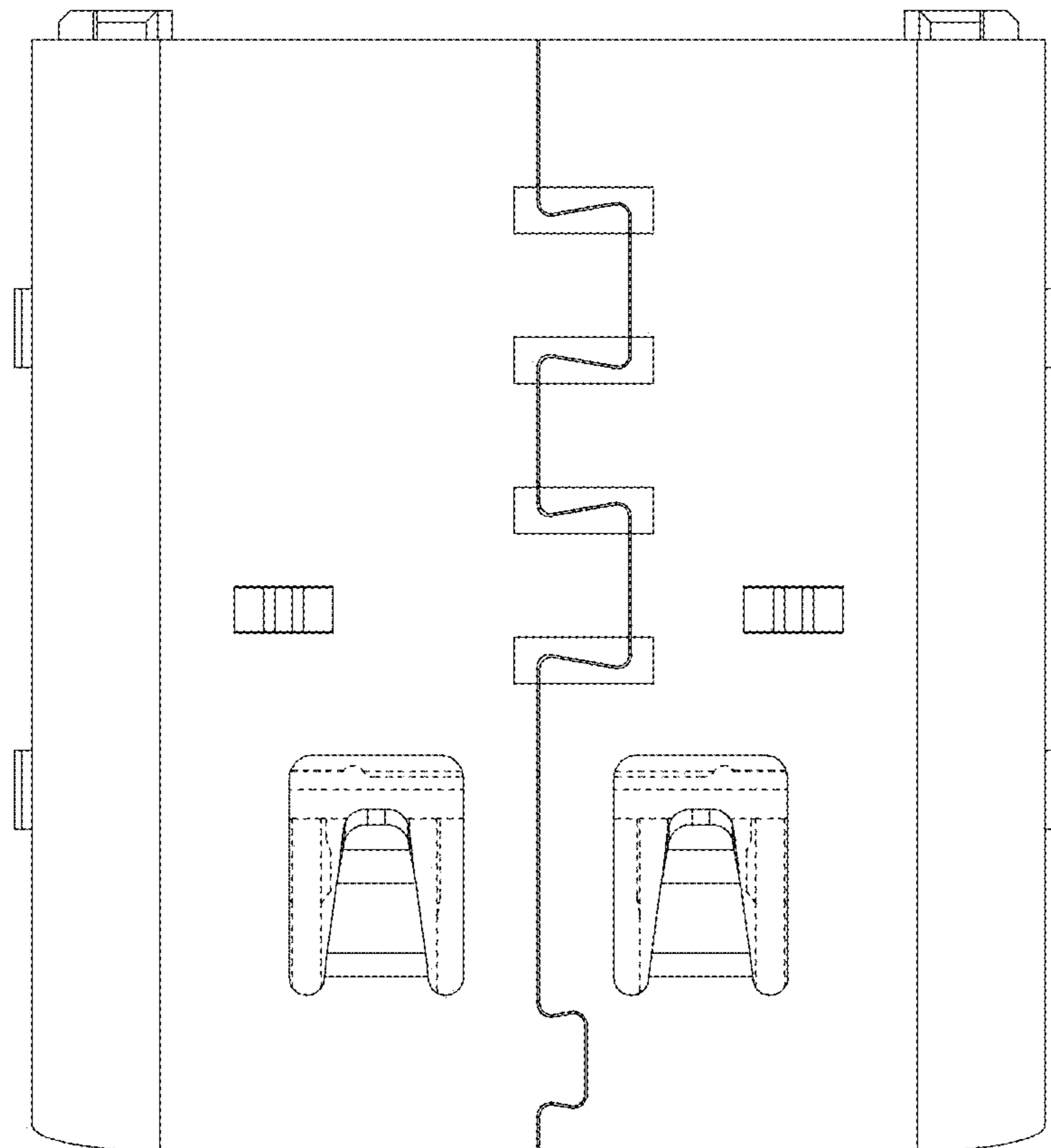


FIG. 6

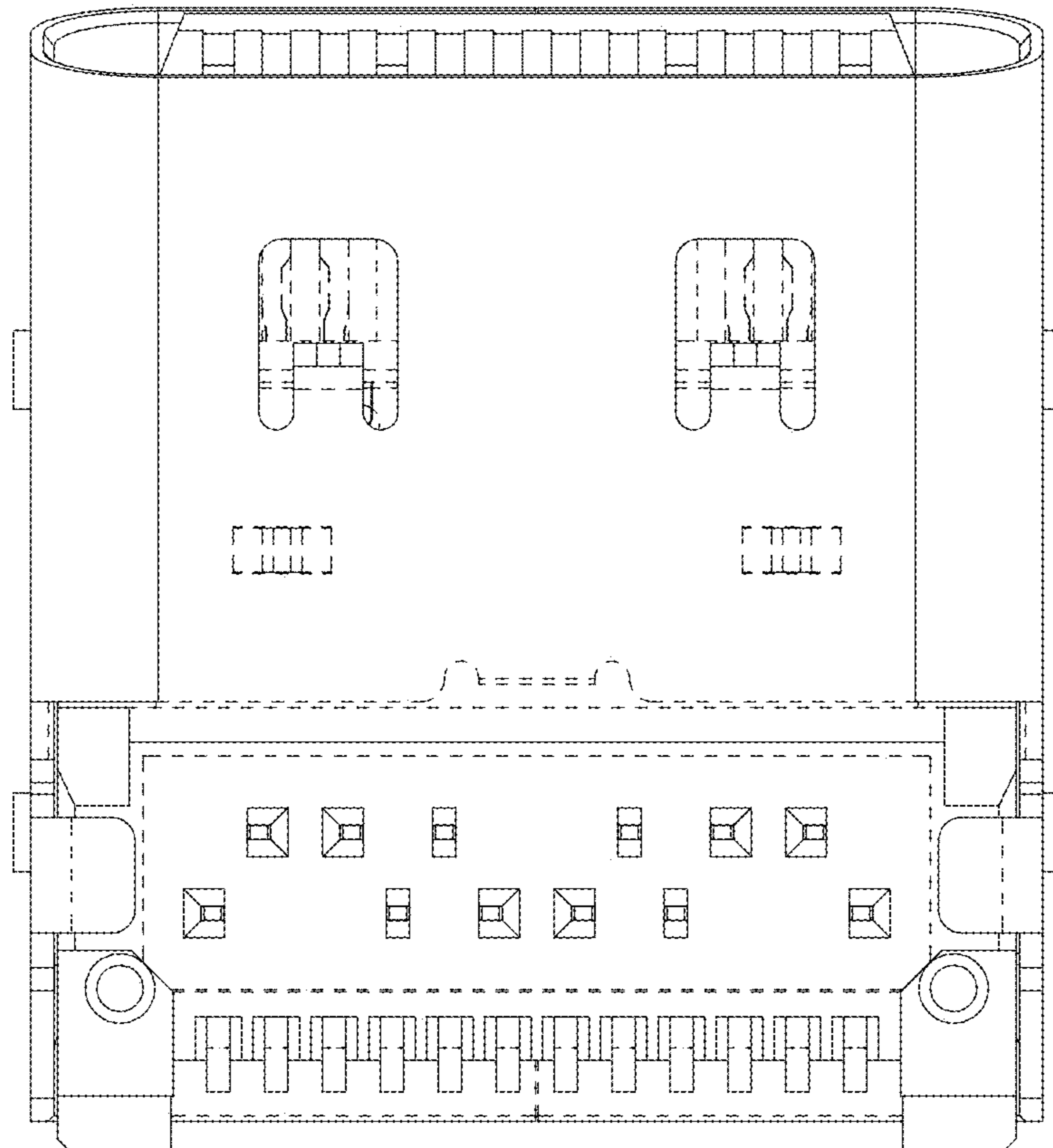


FIG. 7