



US00D969080S

(12) **United States Design Patent** (10) **Patent No.:** **US D969,080 S**
Lanigan et al. (45) **Date of Patent:** **** *Nov. 8, 2022**

(54) **CONNECTOR**

(71) Applicant: **DEKA Products Limited Partnership**,
Manchester, NH (US)

(72) Inventors: **Richard J. Lanigan**, Concord, NH
(US); **Kevin L. Grant**, Litchfield, NH
(US); **Lisa A. Gustin**, Manchester, NH
(US)

(73) Assignee: **DEKA Products Limited Partnership**,
Manchester, NH (US)

(*) Notice: This patent is subject to a terminal dis-
claimer.

(**) Term: **15 Years**

(21) Appl. No.: **29/631,454**

(22) Filed: **Dec. 29, 2017**

Related U.S. Application Data

(62) Division of application No. 29/459,766, filed on Jul.
3, 2013, now Pat. No. Des. 806,652.

(51) **LOC (13) Cl.** **13-03**

(52) **U.S. Cl.**
USPC **D13/133**

(58) **Field of Classification Search**
USPC D13/101, 103, 110, 123, 133, 154, 155,
D13/184, 199

(Continued)

(56) **References Cited**

U.S. PATENT DOCUMENTS

D462,659 S * 9/2002 Goto D13/133
D470,820 S * 2/2003 Goto D13/133

(Continued)

OTHER PUBLICATIONS

U.S. Appl. No. 29/459,766, filed Jul. 3, 2021.

Primary Examiner — Shawn T Gingrich

(74) *Attorney, Agent, or Firm* — Reid Knott Cunningham

(57) **CLAIM**

The ornamental design for a connector, as shown.

DESCRIPTION

FIG. 1 is a top-front perspective view of a connector
showing the claimed design;

FIG. 2 is a bottom-back perspective view thereof;

FIG. 3 is a front view thereof;

FIG. 4 is a rear view thereof;

FIG. 5 is a left side view thereof;

FIG. 6 is a right side thereof;

FIG. 7 is a top view thereof;

FIG. 8 is a bottom view thereof;

FIG. 9 is a cross sectional view thereof taken along line 9-9
of FIG. 7;

FIG. 10 is a cross sectional view thereof taken along line
10-10 of FIG. 7;

FIG. 11 is a cross sectional view thereof taken along line
11-11 of FIG. 7;

FIG. 12 is a top-front perspective view of a connector
showing the claimed design;

FIG. 13 is a bottom-back perspective view thereof;

FIG. 14 is a front view thereof;

FIG. 15 is a rear view thereof;

FIG. 16 is a left side view thereof;

FIG. 17 is a right side thereof;

FIG. 18 is a top view thereof;

FIG. 19 is a bottom view thereof;

FIG. 20 is a cross sectional view thereof taken along line
20-20 of FIG. 18;

FIG. 21 is a cross sectional view thereof taken along line
21-21 of FIG. 18;

FIG. 22 is a cross sectional view thereof taken along line
22-22 of FIG. 18;

FIG. 23 is a top-front perspective view of a connector
showing the claimed design;

FIG. 24 is a bottom-back perspective view thereof;

FIG. 25 is a front view thereof;

(Continued)

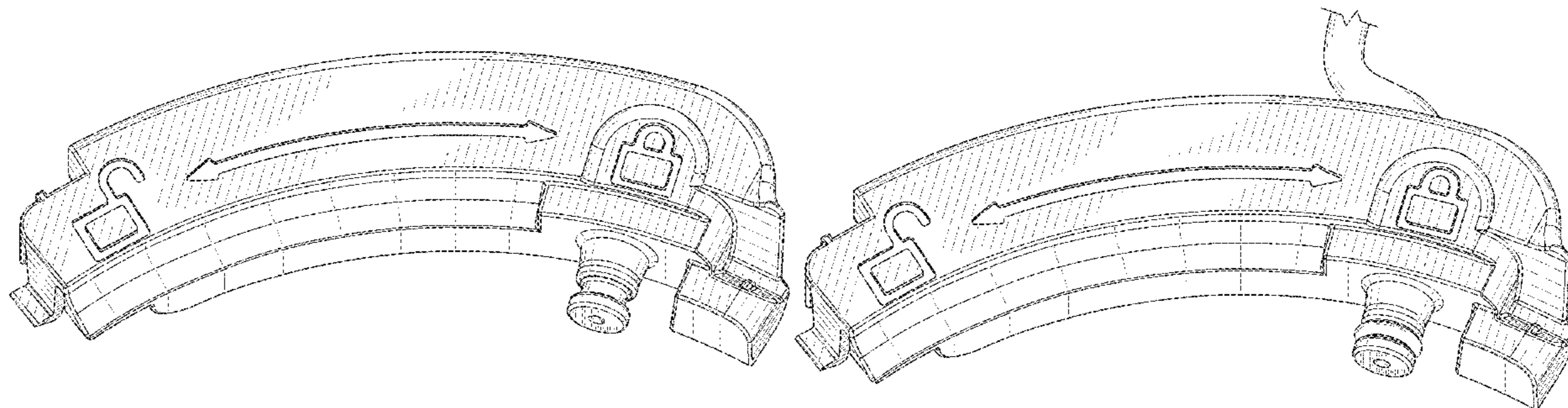


FIG. 26 is a rear view thereof;
FIG. 27 is a left side view thereof;
FIG. 28 is a right side thereof; 19
FIG. 29 is a top view thereof;
FIG. 30 is a bottom view thereof;
FIG. 31 is a cross sectional view thereof taken along line 31-31 of FIG. 29, thereof;
FIG. 32 is a cross sectional view thereof taken along line 32-32 of FIG. 29; and,
FIG. 33 is a cross sectional view thereof taken along line 33-33 of FIG. 29.

The broken lines in the figures illustrate portions of the connector or form the boundary of the claimed design and form no part of the claimed design.

The shade lines in the figures show contour and not surface ornamentation.

FIGS. 12-14, and 16-20 include a symbolic break in length of the Cable represented by a jagged line. The appearance of any portion of the article beyond the break lines forms no part of the claimed design.

1 Claim, 24 Drawing Sheets

(58) **Field of Classification Search**

CPC H01R 12/7005; H01R 13/422; H01R 13/428; H01R 13/434; H01R 13/639; H01R 23/7005

See application file for complete search history.

(56) **References Cited**

U.S. PATENT DOCUMENTS

| | | | | | | |
|----------|---|---|--------|---------|-------|---------|
| D767,491 | S | * | 9/2016 | Grant | | D13/133 |
| D767,492 | S | * | 9/2016 | Grant | | D13/133 |
| D806,652 | S | * | 1/2018 | Lanigan | | D13/133 |

* cited by examiner

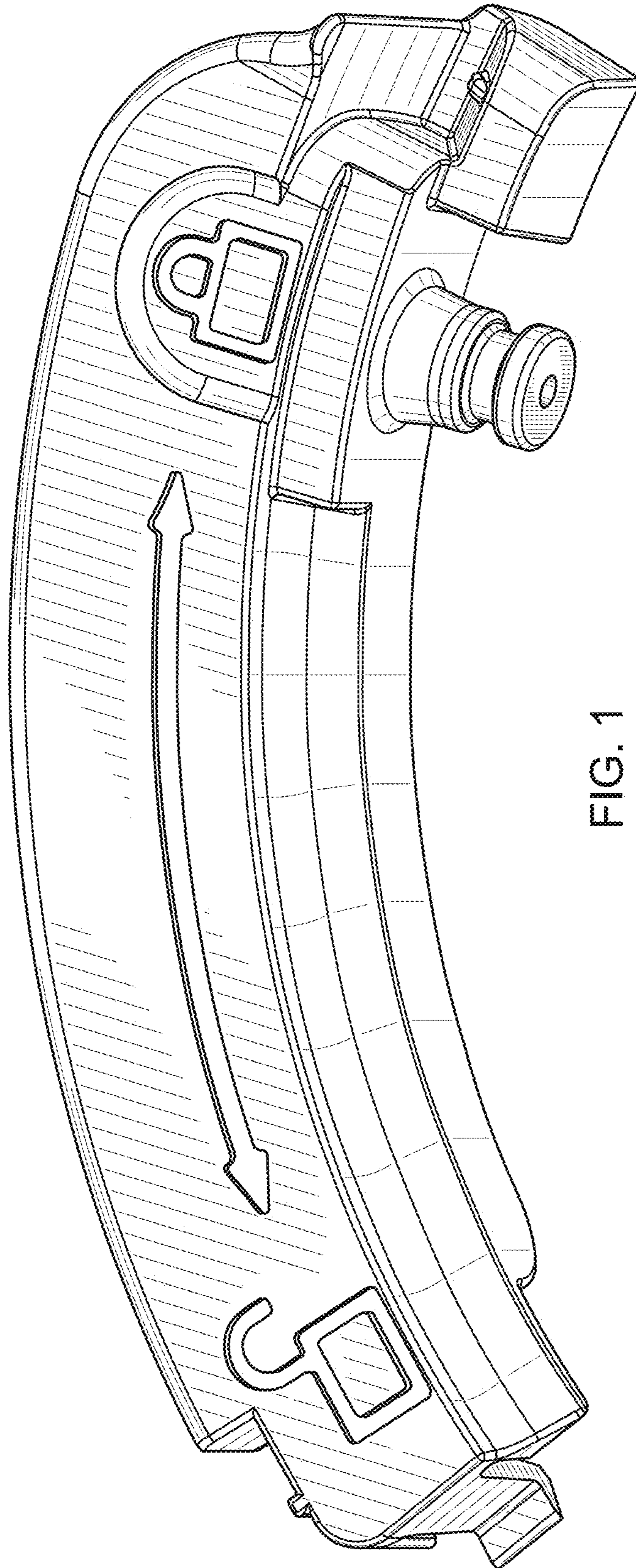


FIG. 1

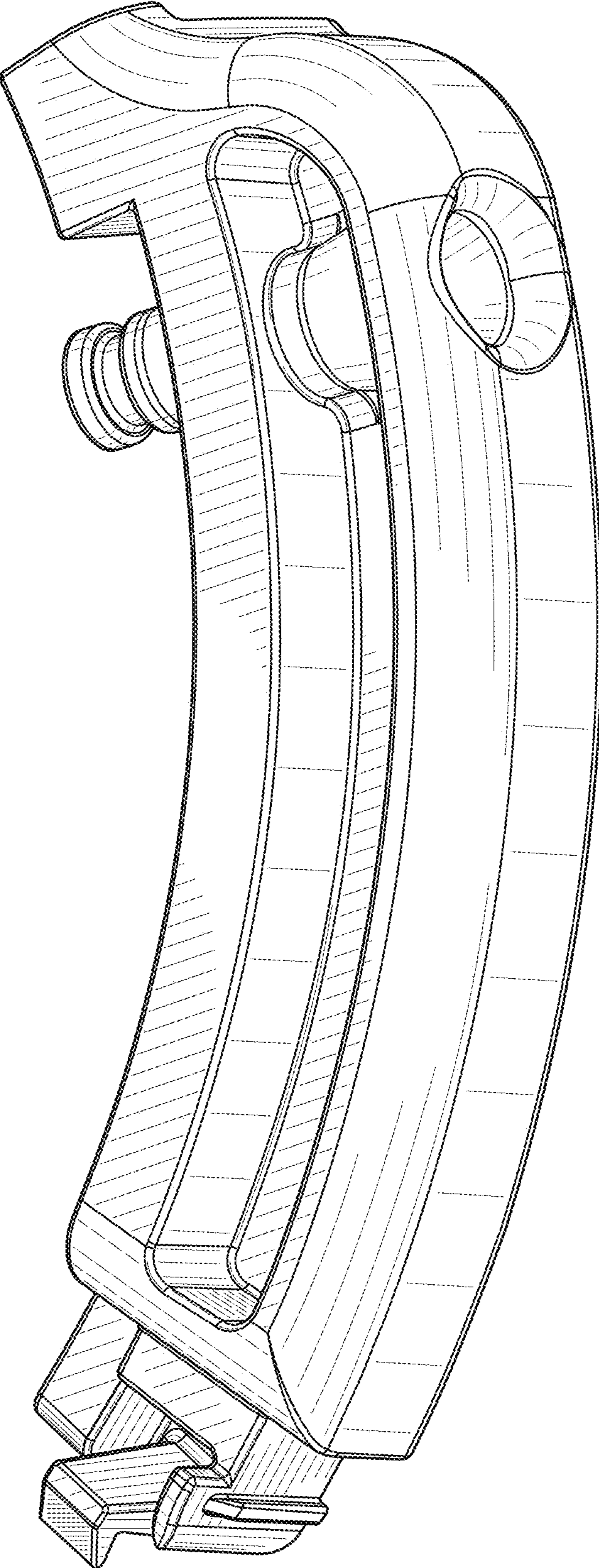


FIG. 2

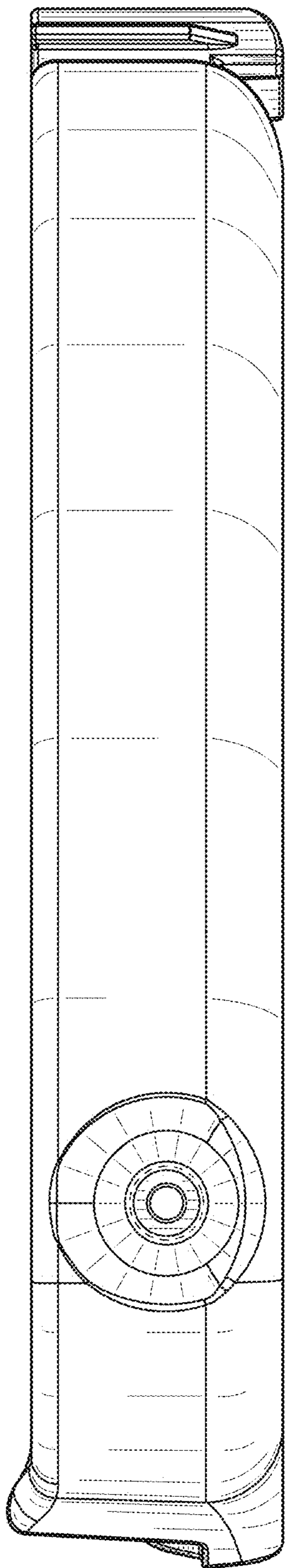


FIG. 3

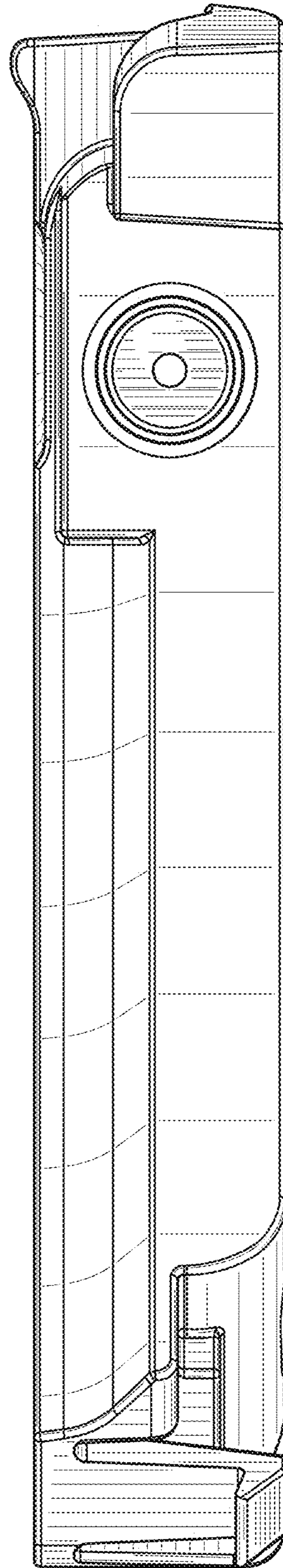


FIG. 4

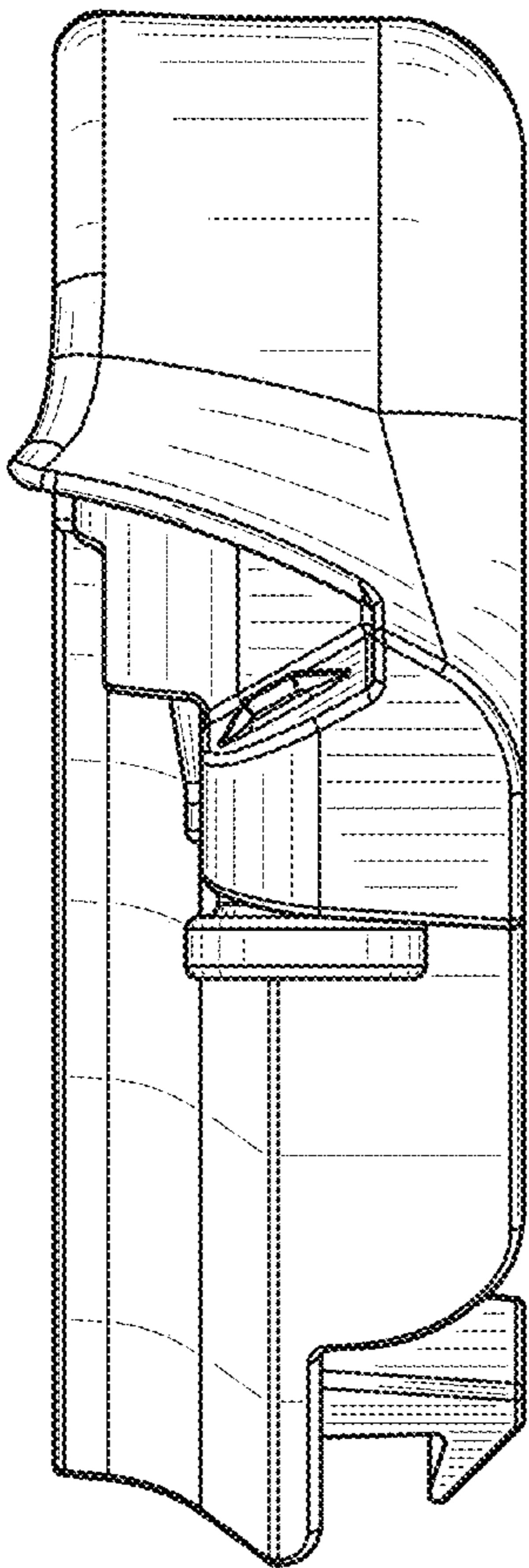


FIG. 5

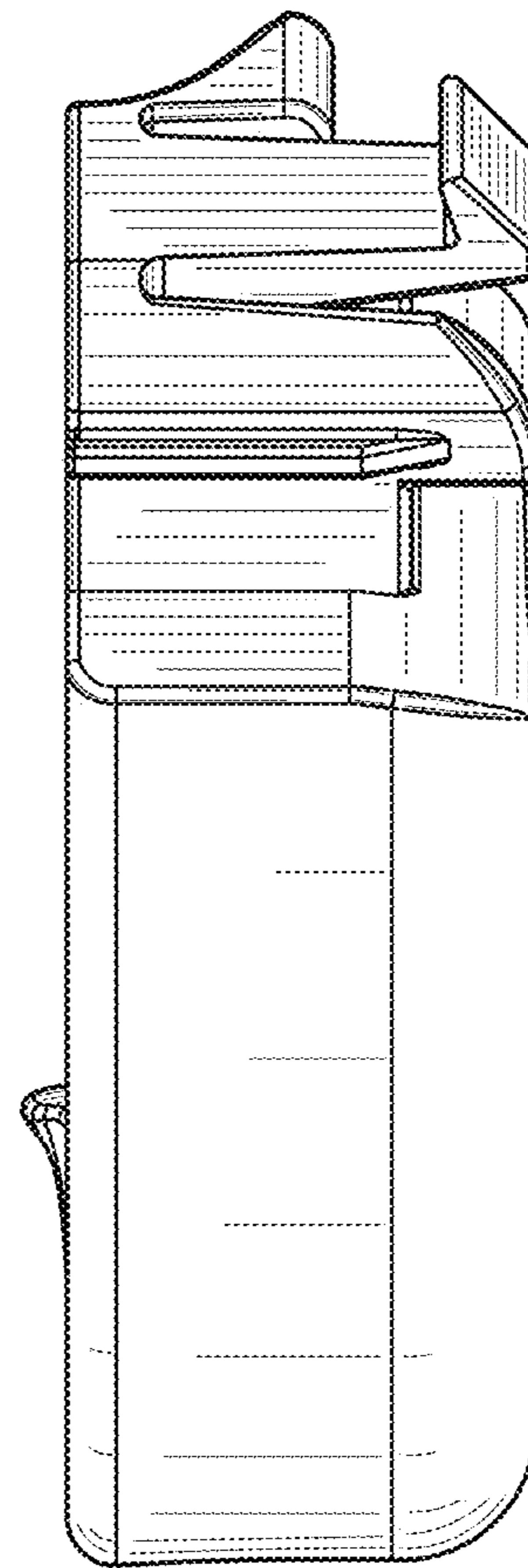
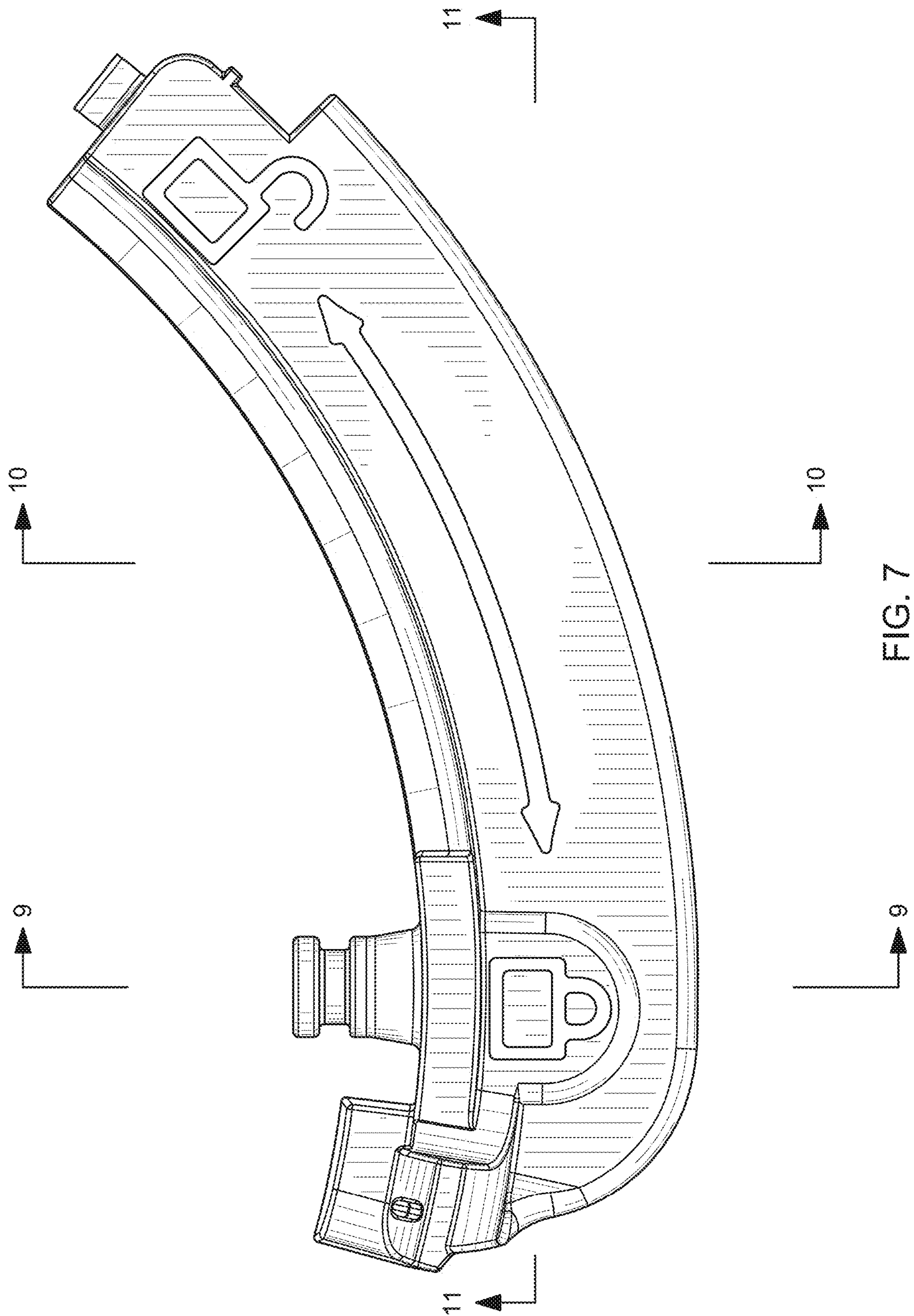


FIG. 6



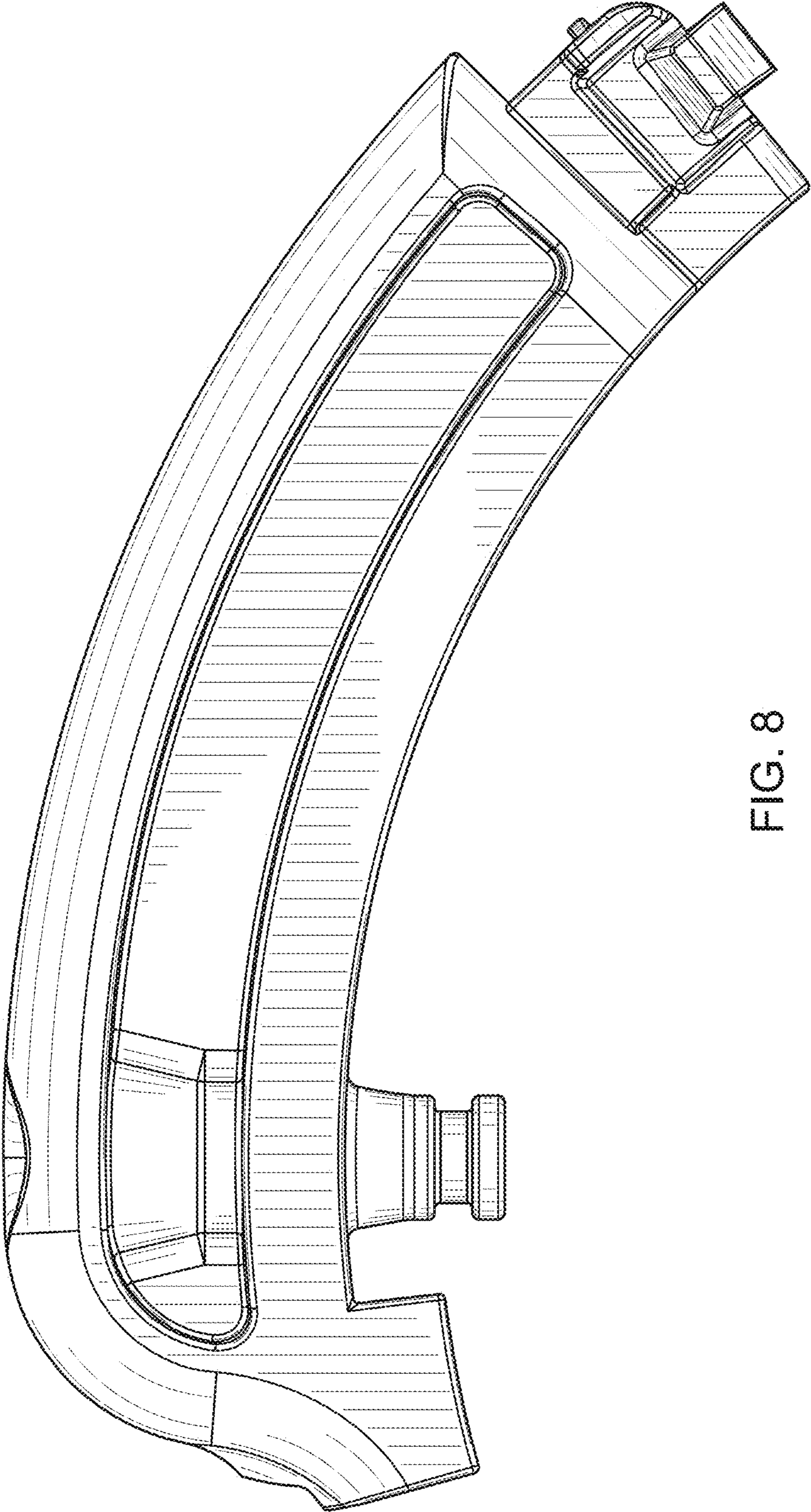


FIG. 8

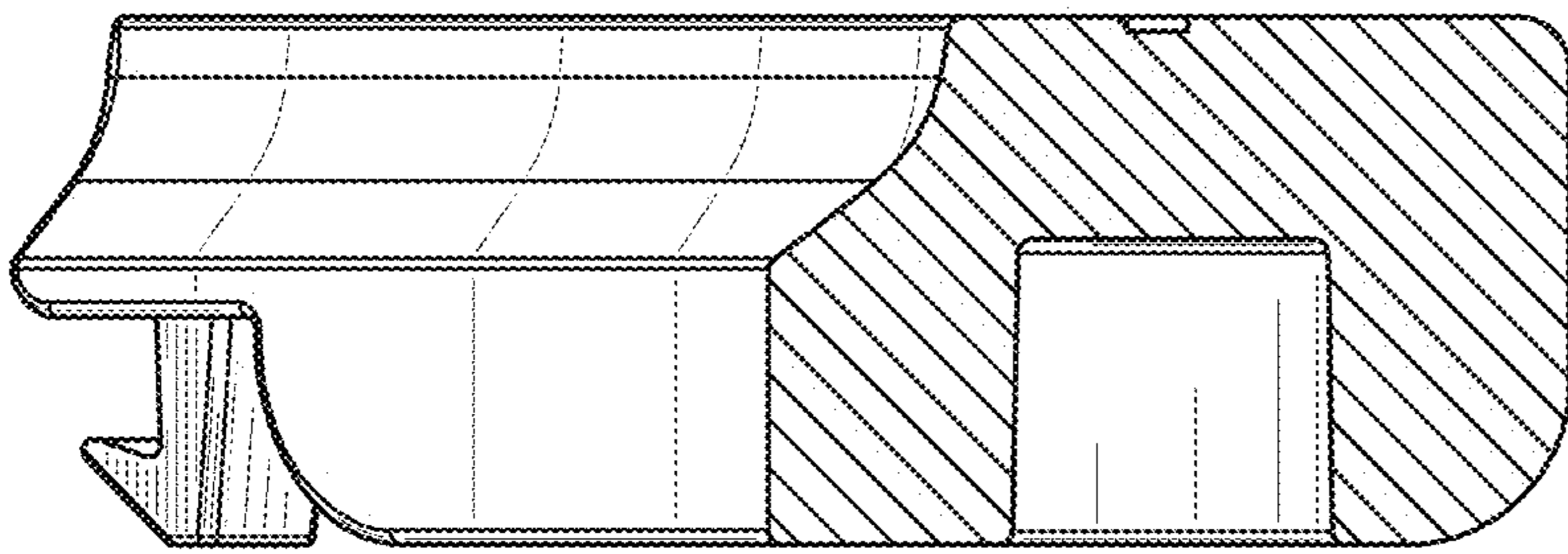


FIG. 10

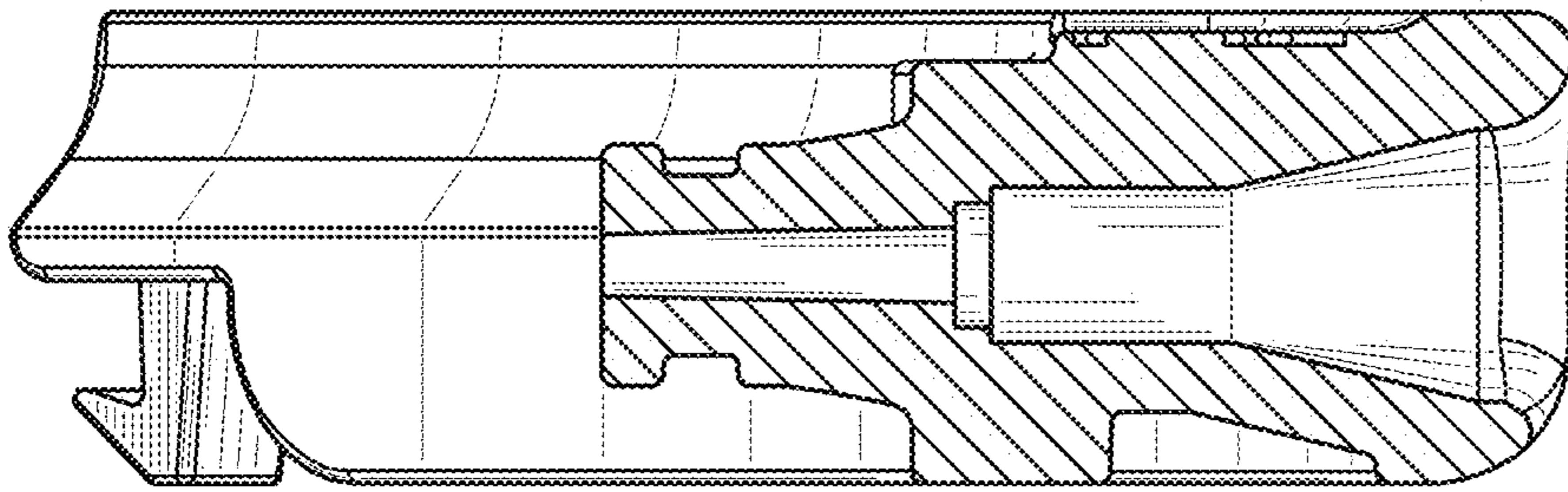


FIG. 9

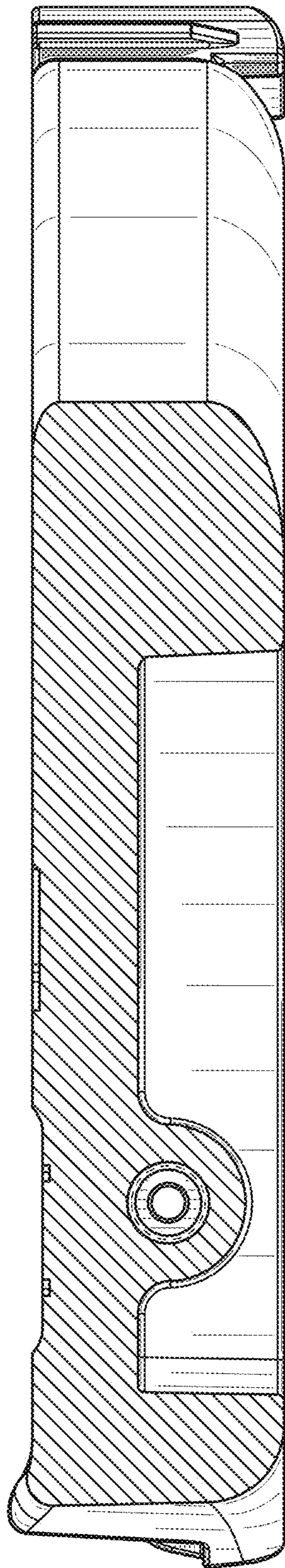


FIG. 11

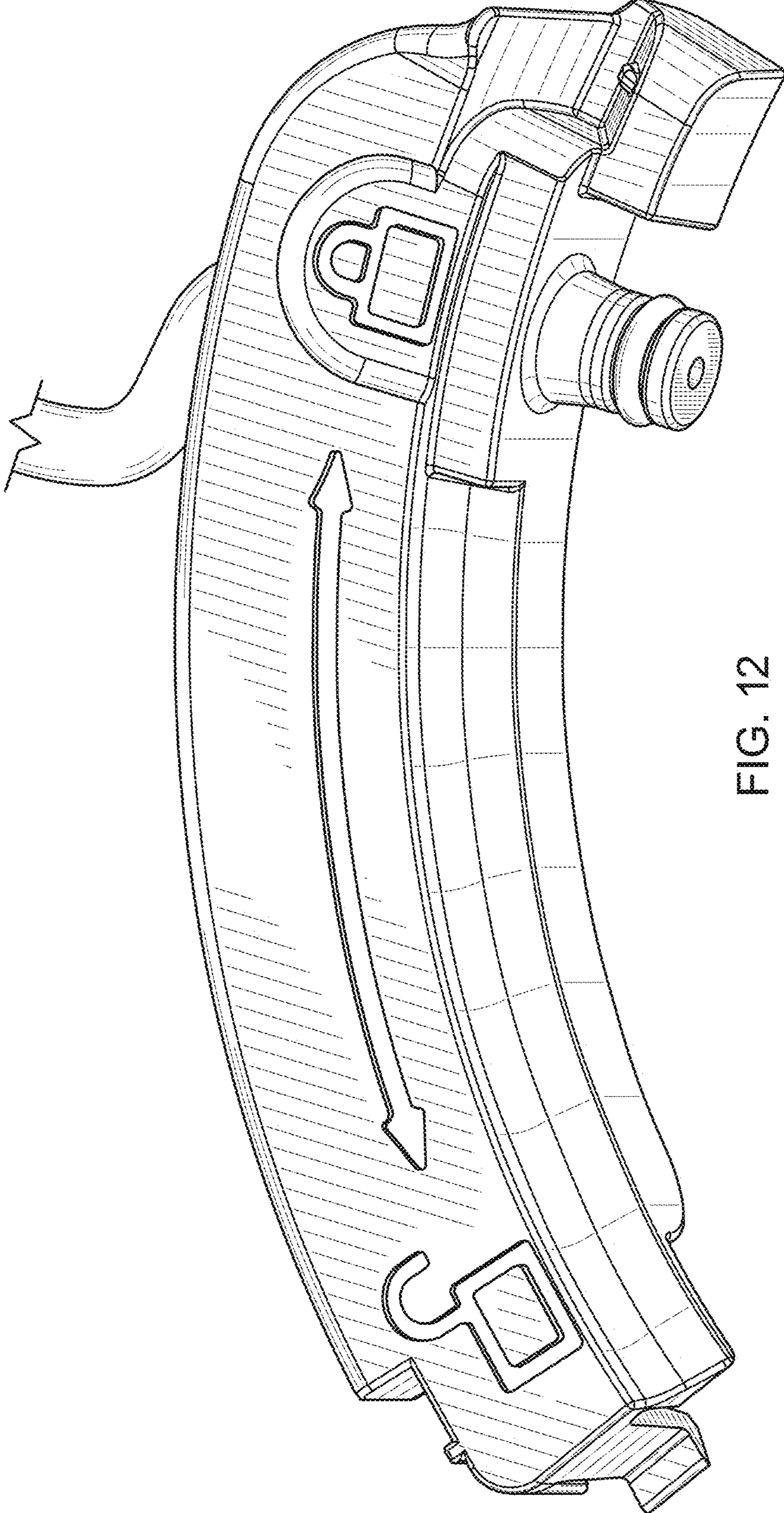


FIG. 12



FIG. 13

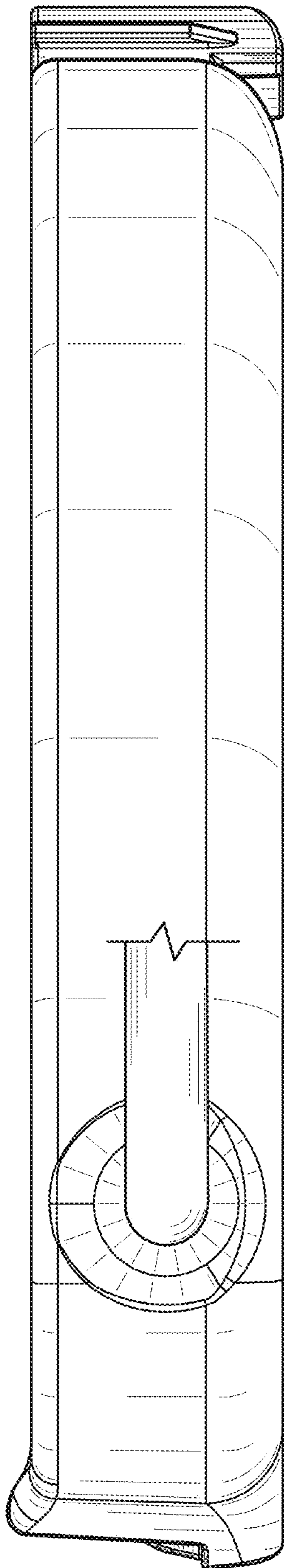


FIG. 14

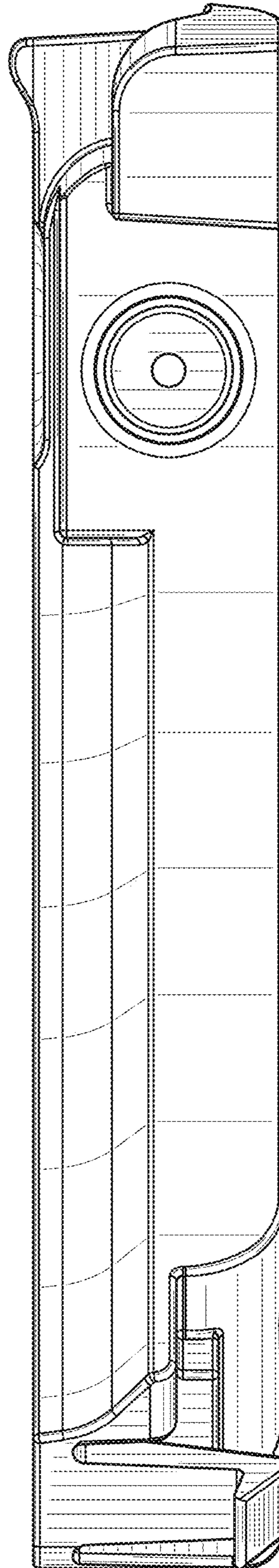


FIG. 15

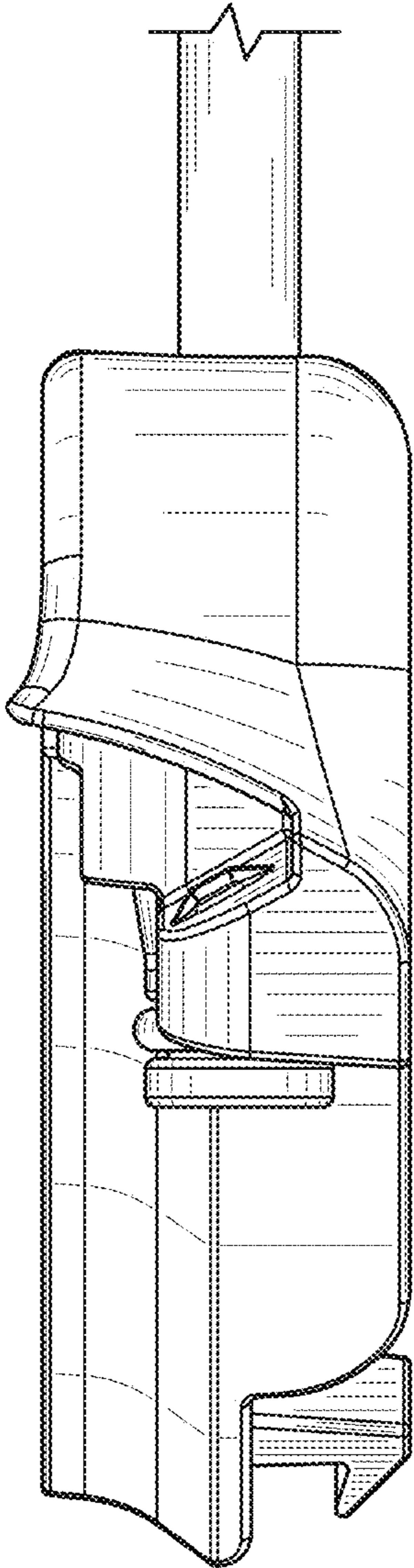


FIG. 16

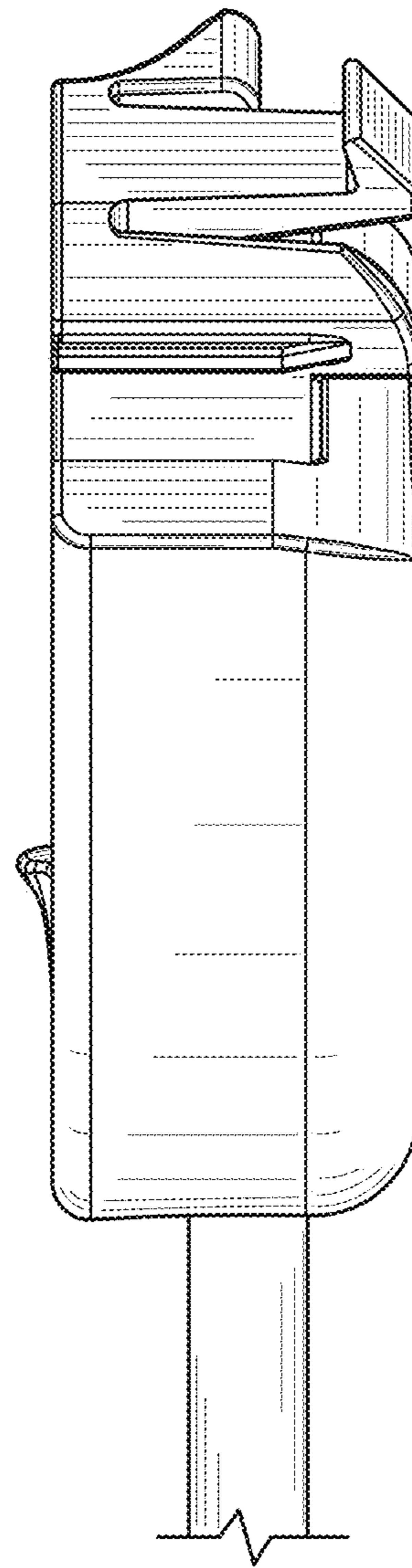


FIG. 17

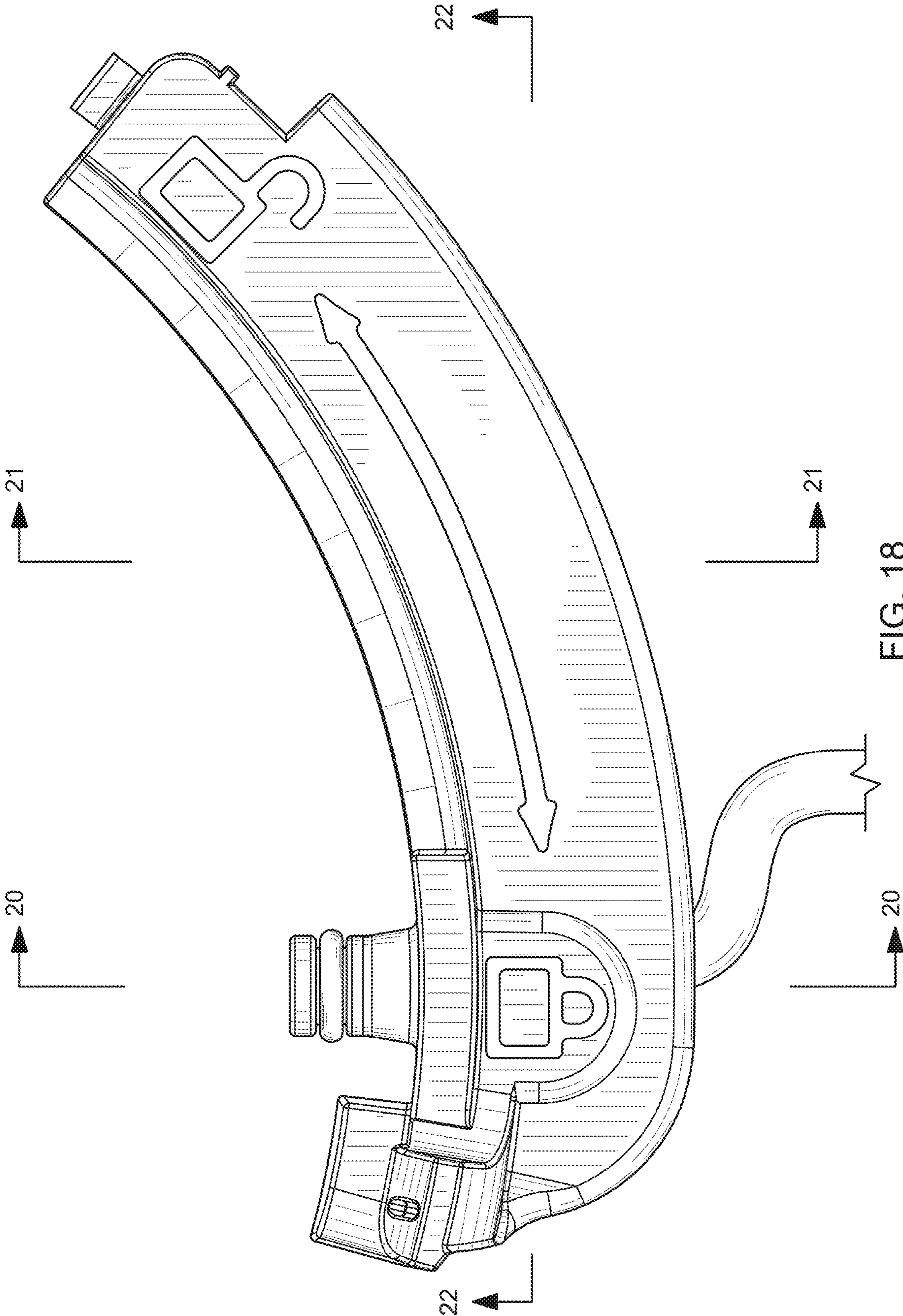


FIG. 18

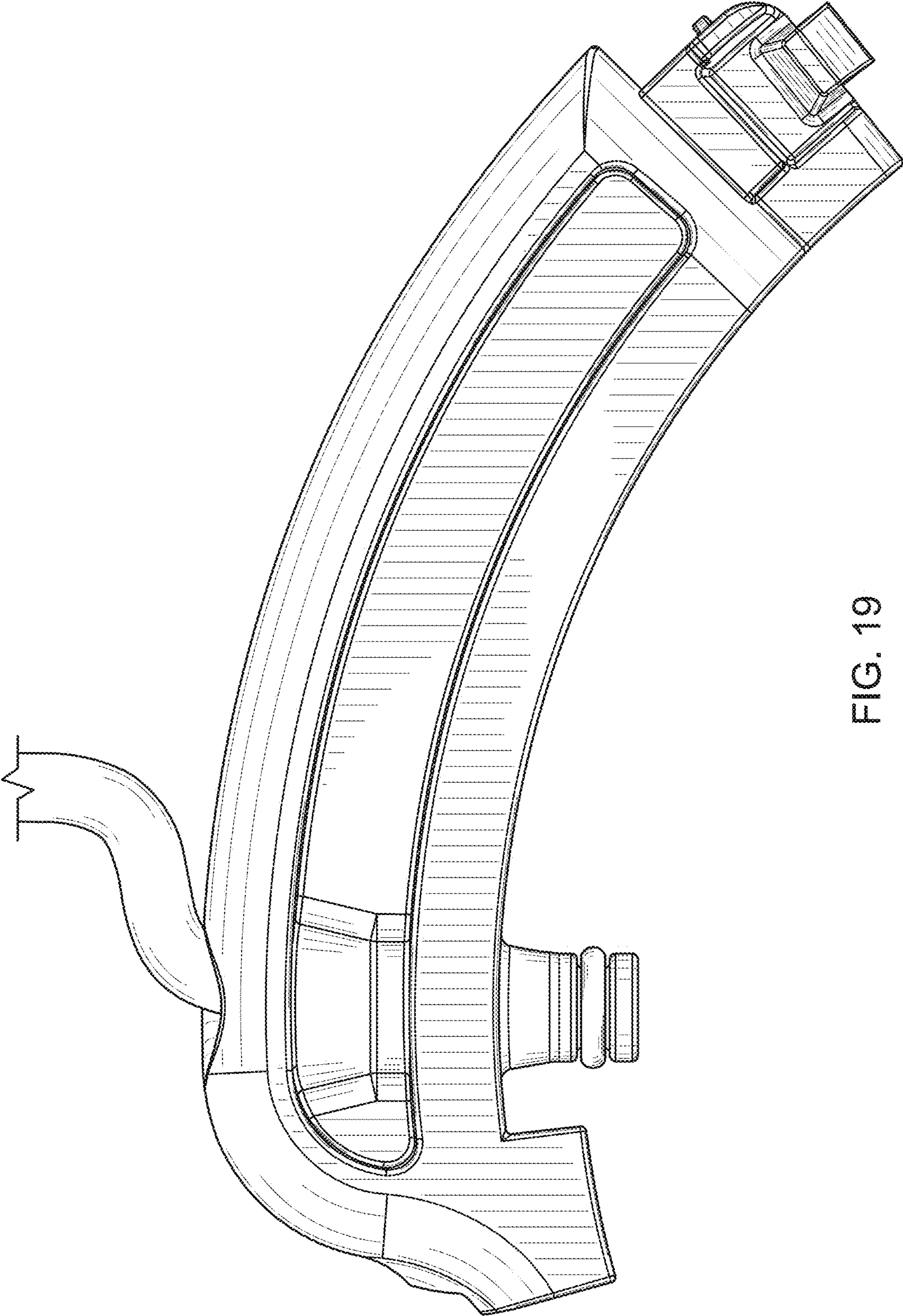


FIG. 19

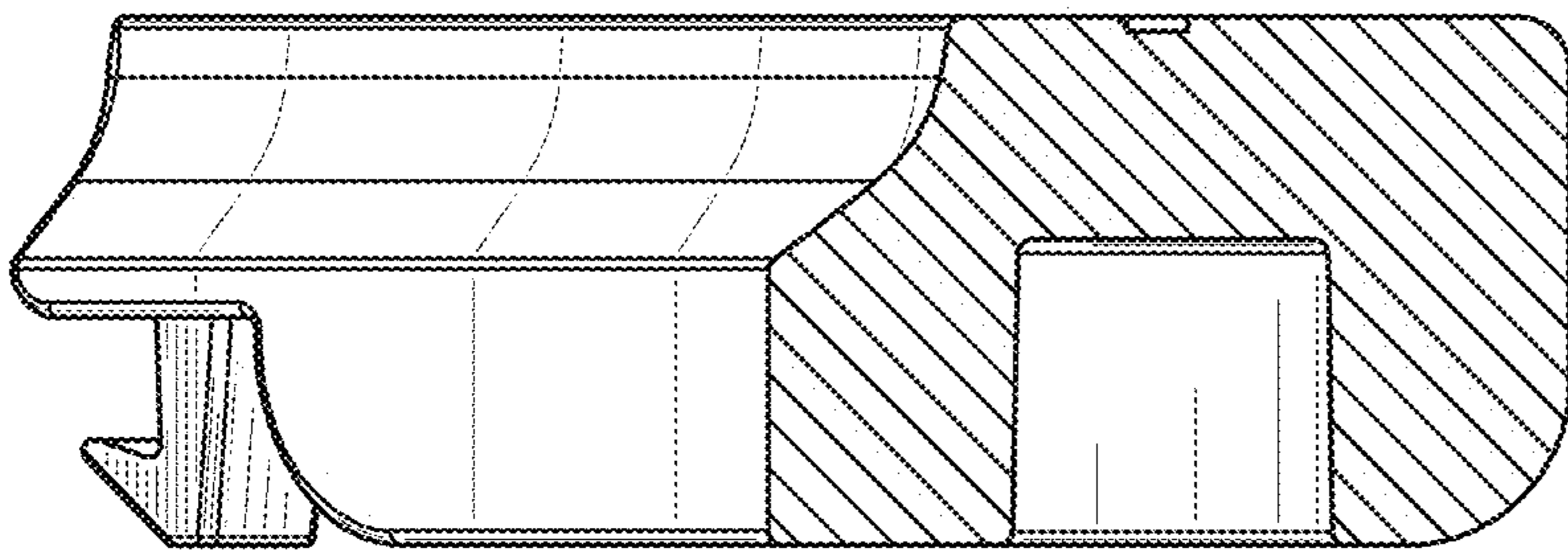


FIG. 21

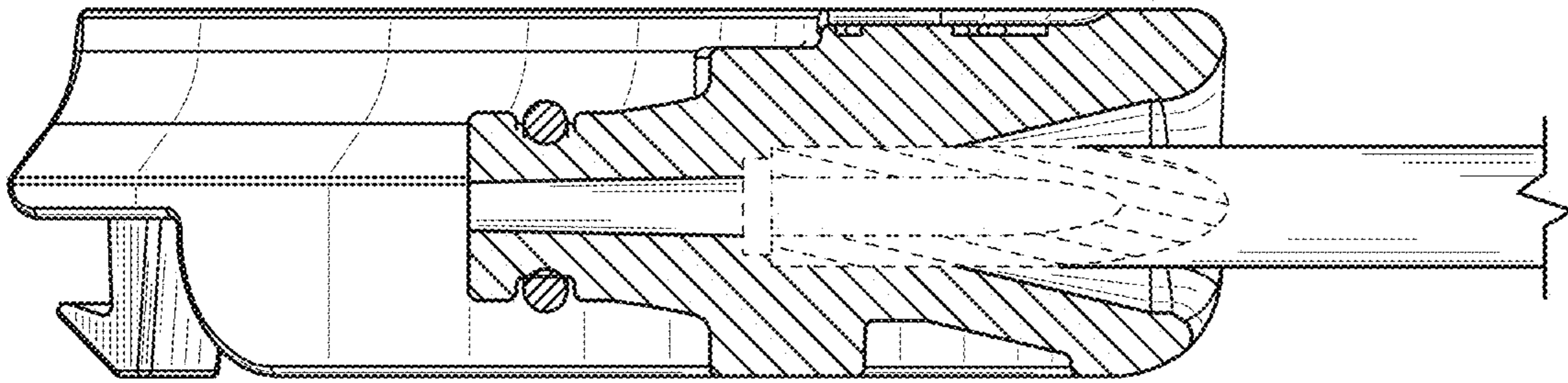


FIG. 20

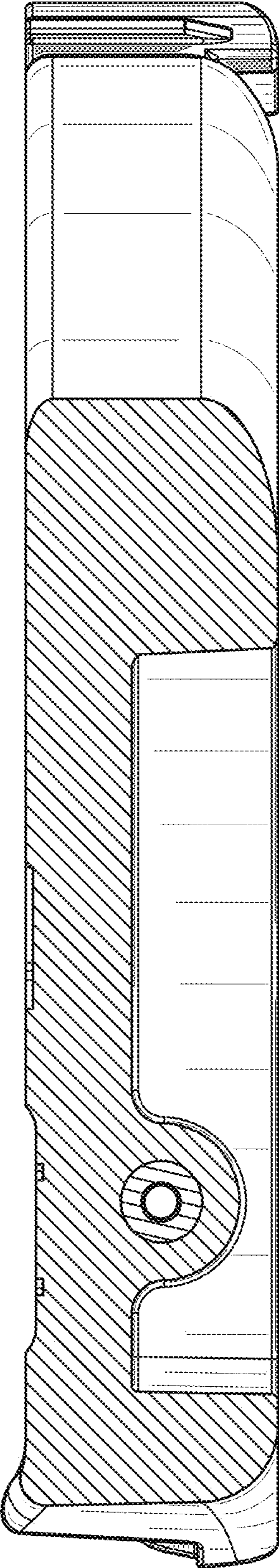


FIG. 22

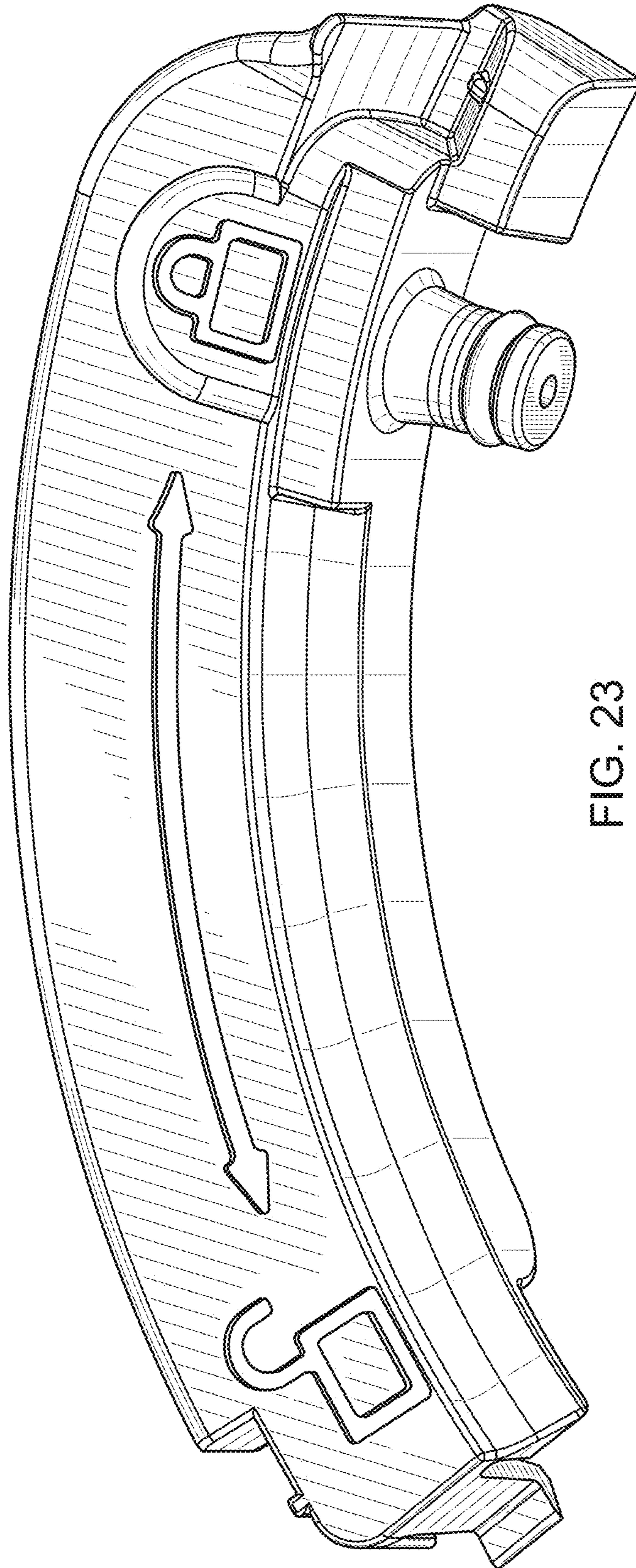


FIG. 23

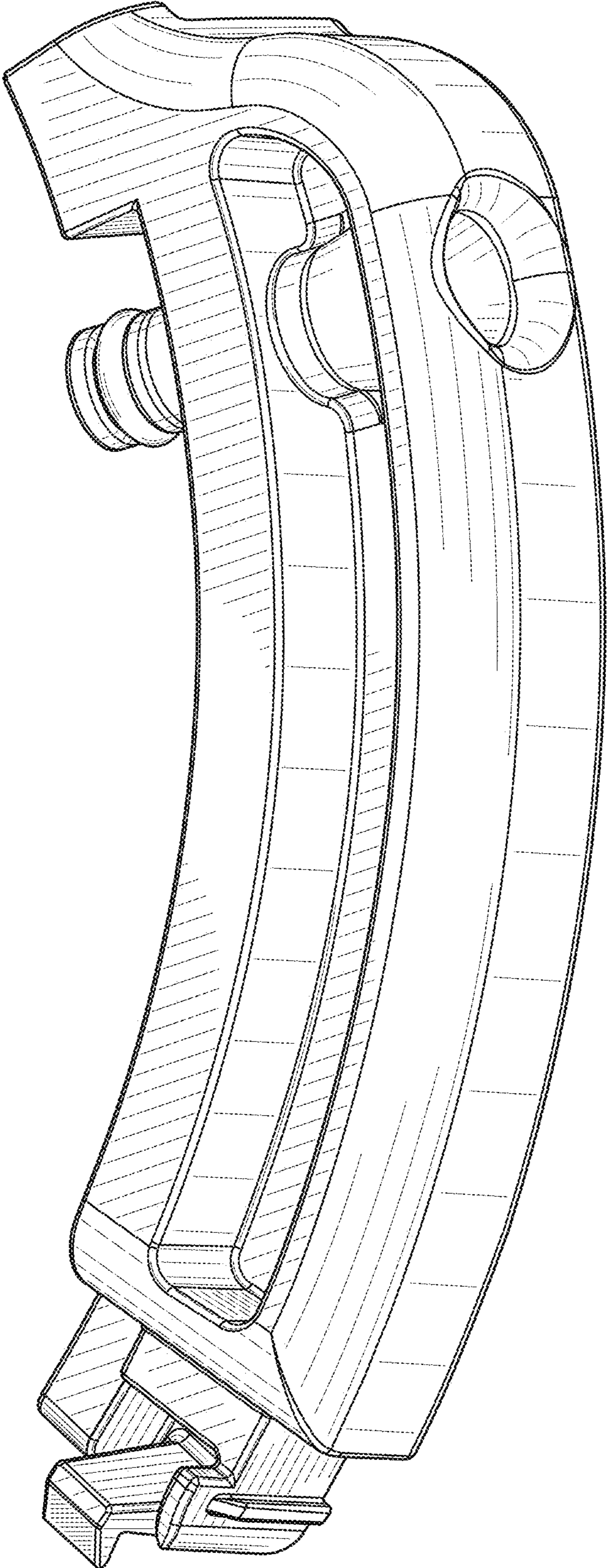


FIG. 24

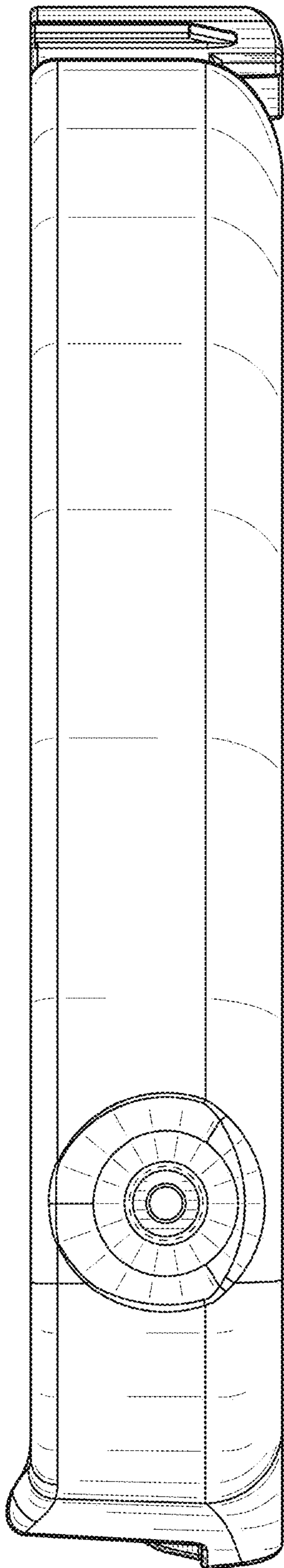


FIG. 25

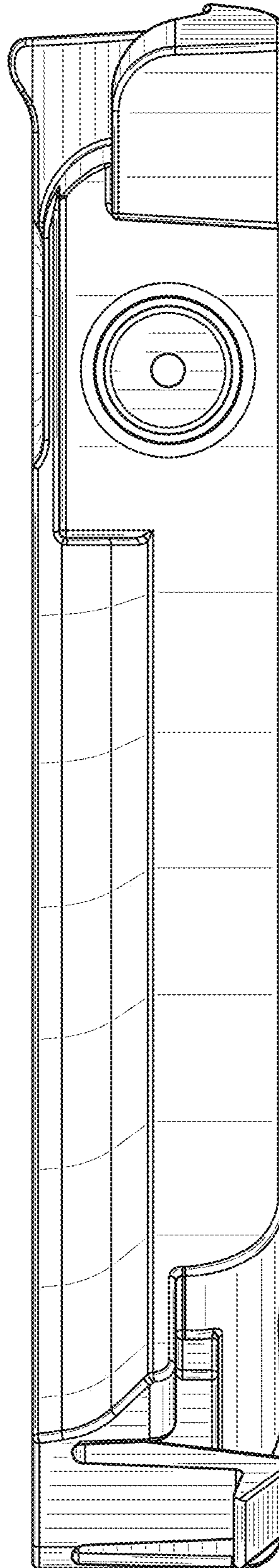


FIG. 26

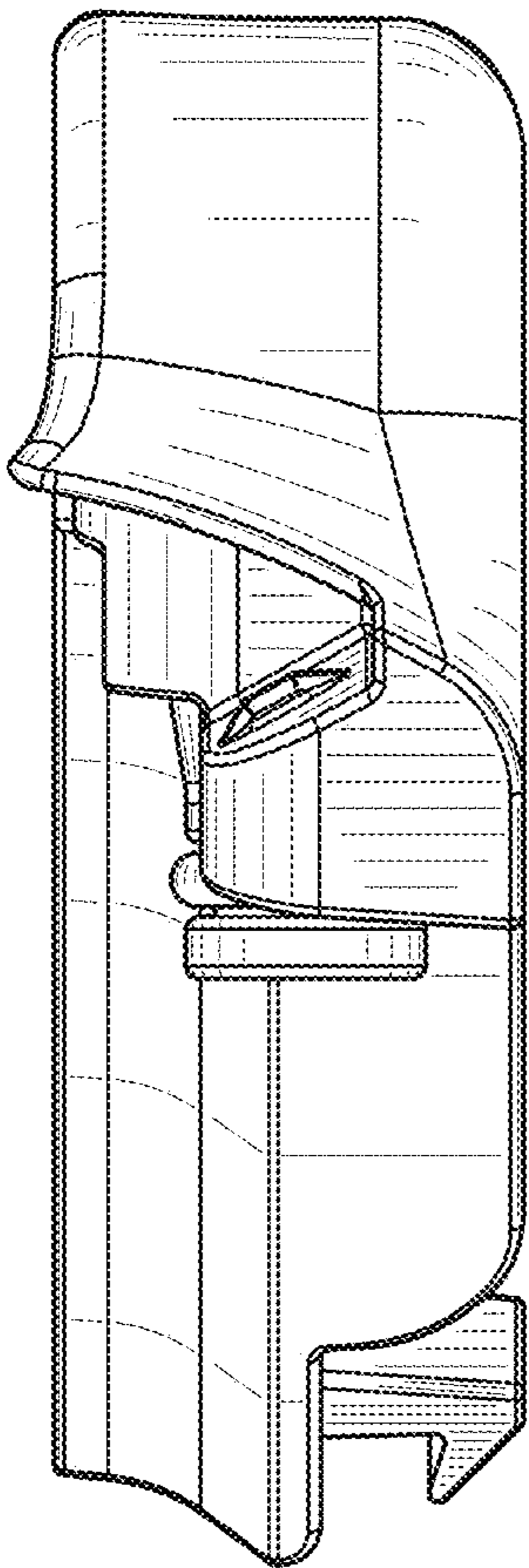


FIG. 27

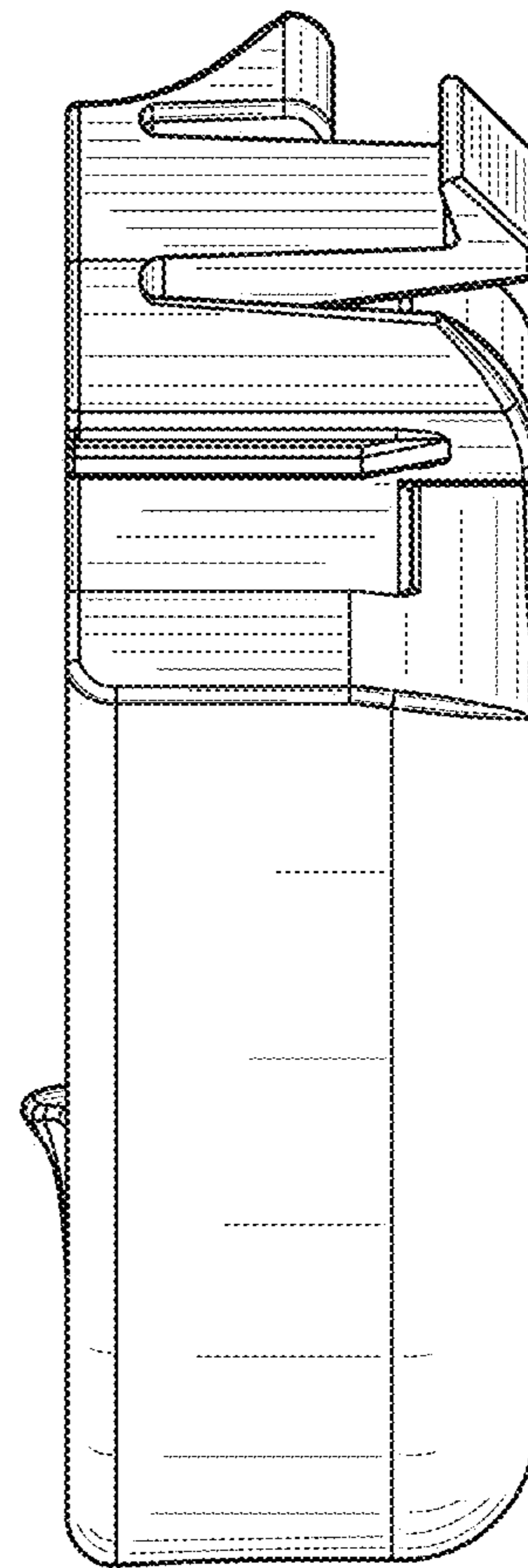


FIG. 28

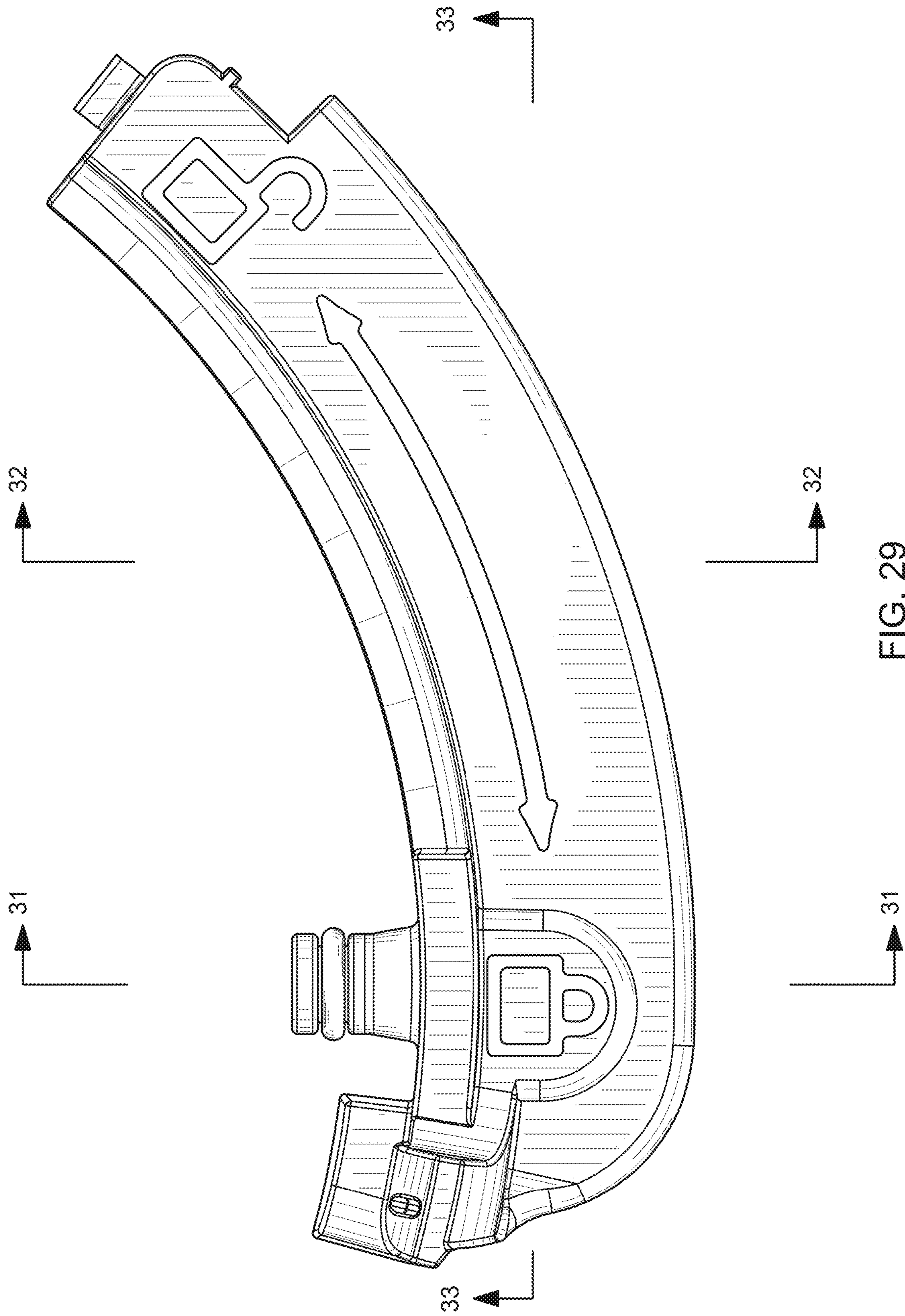


FIG. 29

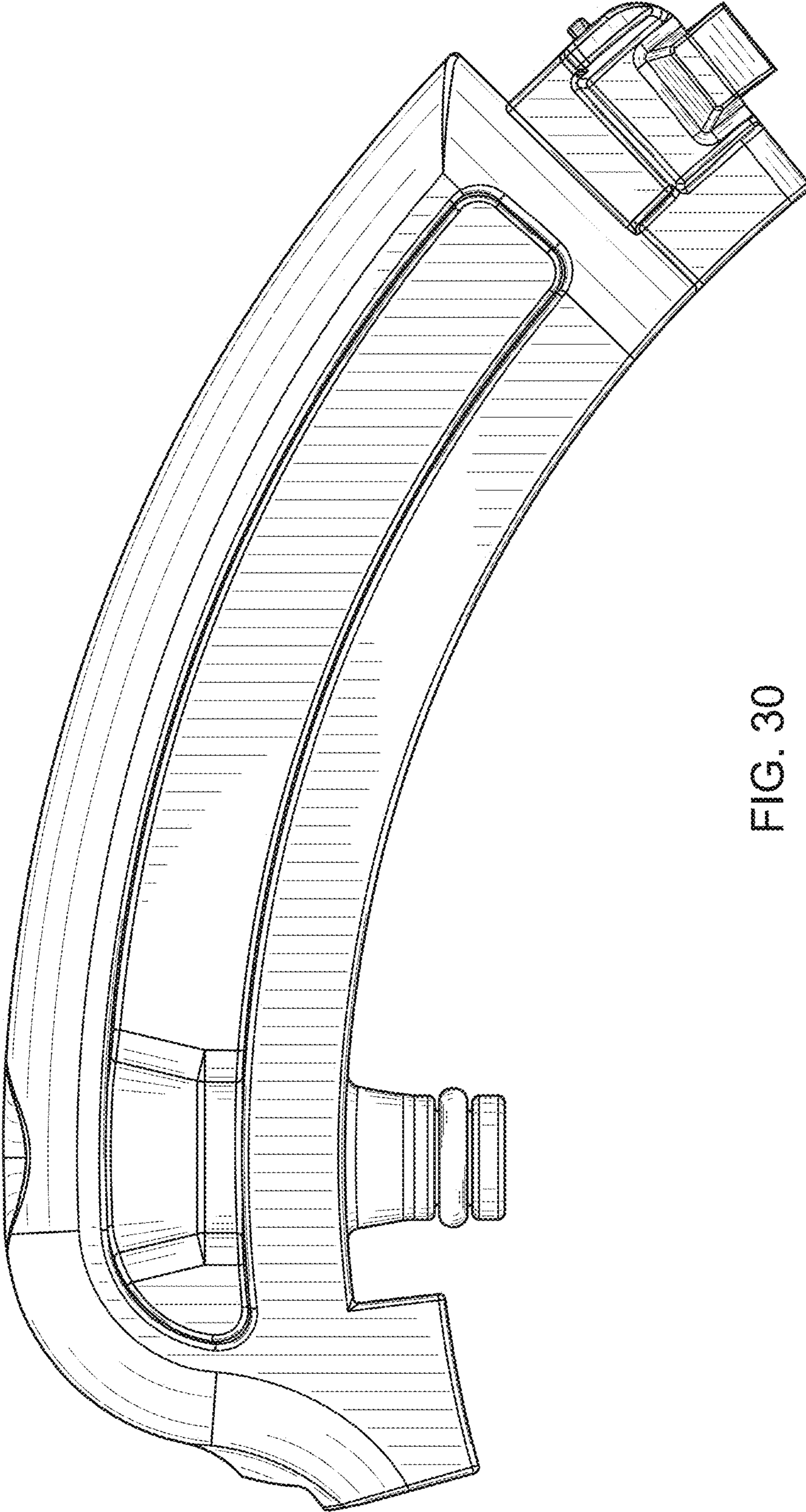


FIG. 30

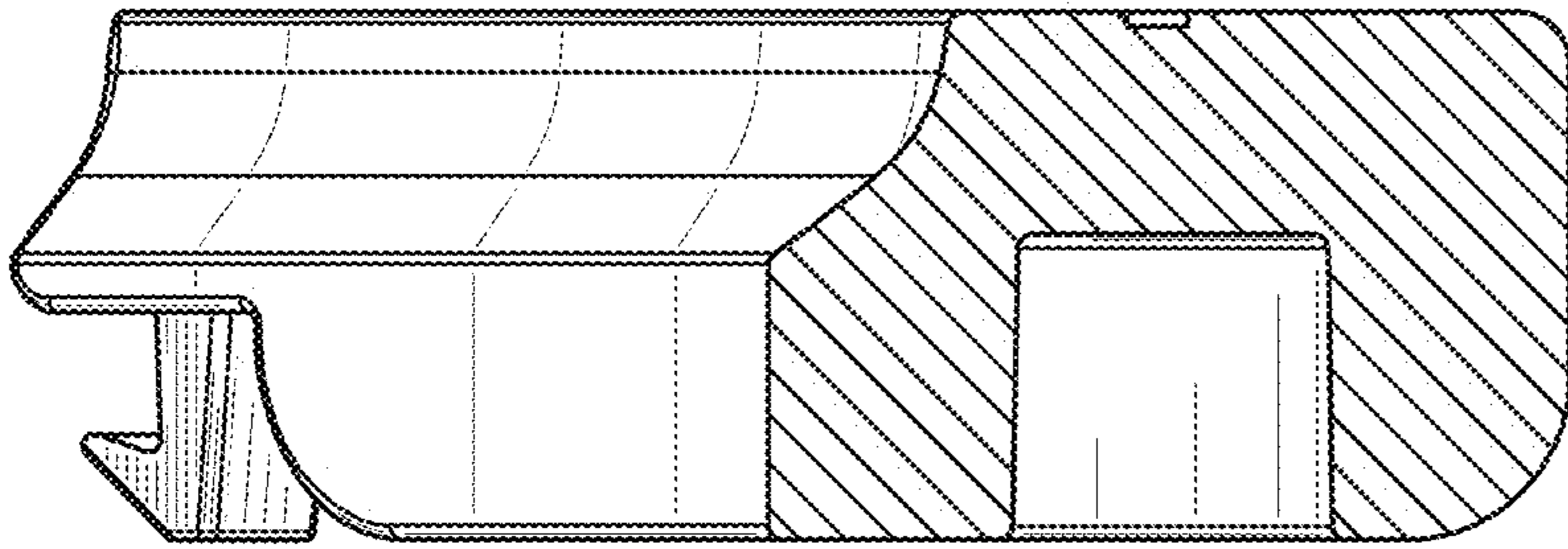


FIG. 32

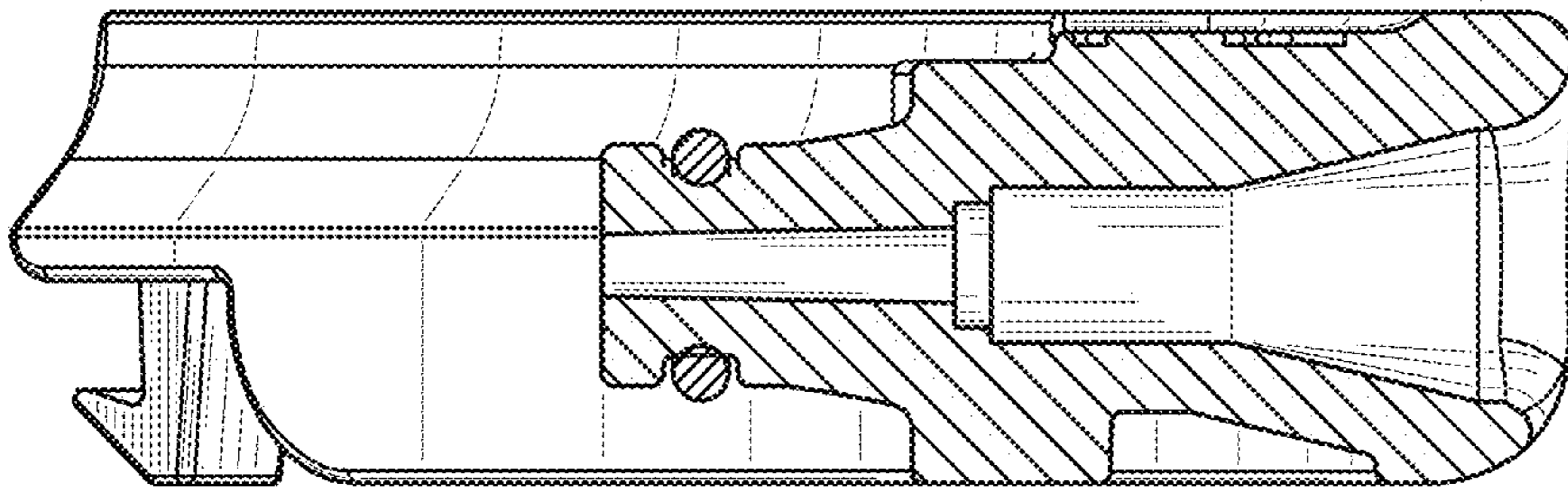


FIG. 31

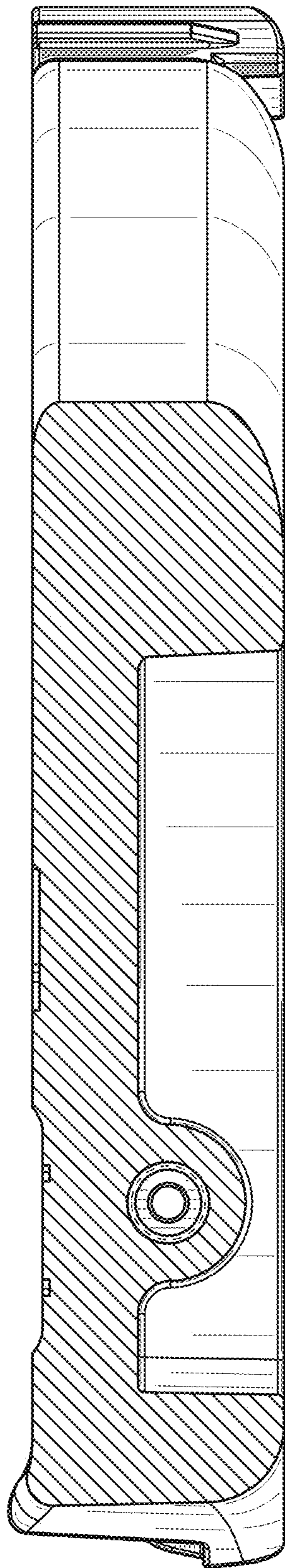


FIG. 33