



US00D969077S

(12) **United States Design Patent** (10) **Patent No.:** **US D969,077 S**
Lin (45) **Date of Patent:** **** Nov. 8, 2022**

(54) **WIRELESS CHARGER WITH BRACKET**

(71) Applicant: **Shenzhen Benks Technology Co., Ltd**,
Shenzhen (CN)
(72) Inventor: **Xiaojiong Lin**, Shenzhen (CN)
(73) Assignee: **SHENZHEN BENKS**
TECHNOLOGY CO., LTD, Shenzhen
(CN)

(**) Term: **15 Years**

(21) Appl. No.: **29/865,206**

(22) Filed: **Jul. 14, 2022**

(30) **Foreign Application Priority Data**

Jun. 7, 2022 (CN) 202230345501.9

(51) **LOC (13) Cl.** **13-02**

(52) **U.S. Cl.**
USPC **D13/108**

(58) **Field of Classification Search**

USPC D13/107-108, 110, 118-119, 184, 199;
D14/251, 253, 432, 434, 447
CPC .. H02J 7/025; H02J 7/005; H02J 50/00; H02J
50/10; H02J 50/12; H02J 50/80; H02J
7/02; H02J 7/0026; H02J 7/0042; H02J
7/0044; H02J 7/0045; H02J 7/0013; H02J
7/0003

See application file for complete search history.

(56) **References Cited**

U.S. PATENT DOCUMENTS

D673,110 S * 12/2012 Sasada D13/108
D694,182 S * 11/2013 Lee D13/108
D718,236 S * 11/2014 Murray D13/108

(Continued)

FOREIGN PATENT DOCUMENTS

CN 306421748 S 3/2021
CN 307202659 S 3/2022

OTHER PUBLICATIONS

“ESR HaloLock Kickstand Wireless Charger, MagSafe-Compatible
Charger for iPhone 13/13 Pro/13 mini/13 Pro Max/12/12 Pro/12
mini/12 Pro Max, with 5 ft(1.5 m) Removable Cable (Adapter Not
Included), Black”, Amazon.com, first available on Mar. 15, 2021.
Retrieved from the internet: <https://www.amazon.com/ESR-
HaloLock-Kickstand-MagSafe-Compatible-Removable/dp/
B08YYHDTFQ/?th=1>(Year: 2021).*

(Continued)

Primary Examiner — Rosemary K Tarcza

(74) *Attorney, Agent, or Firm* — Andrew C. Cheng

(57) **CLAIM**

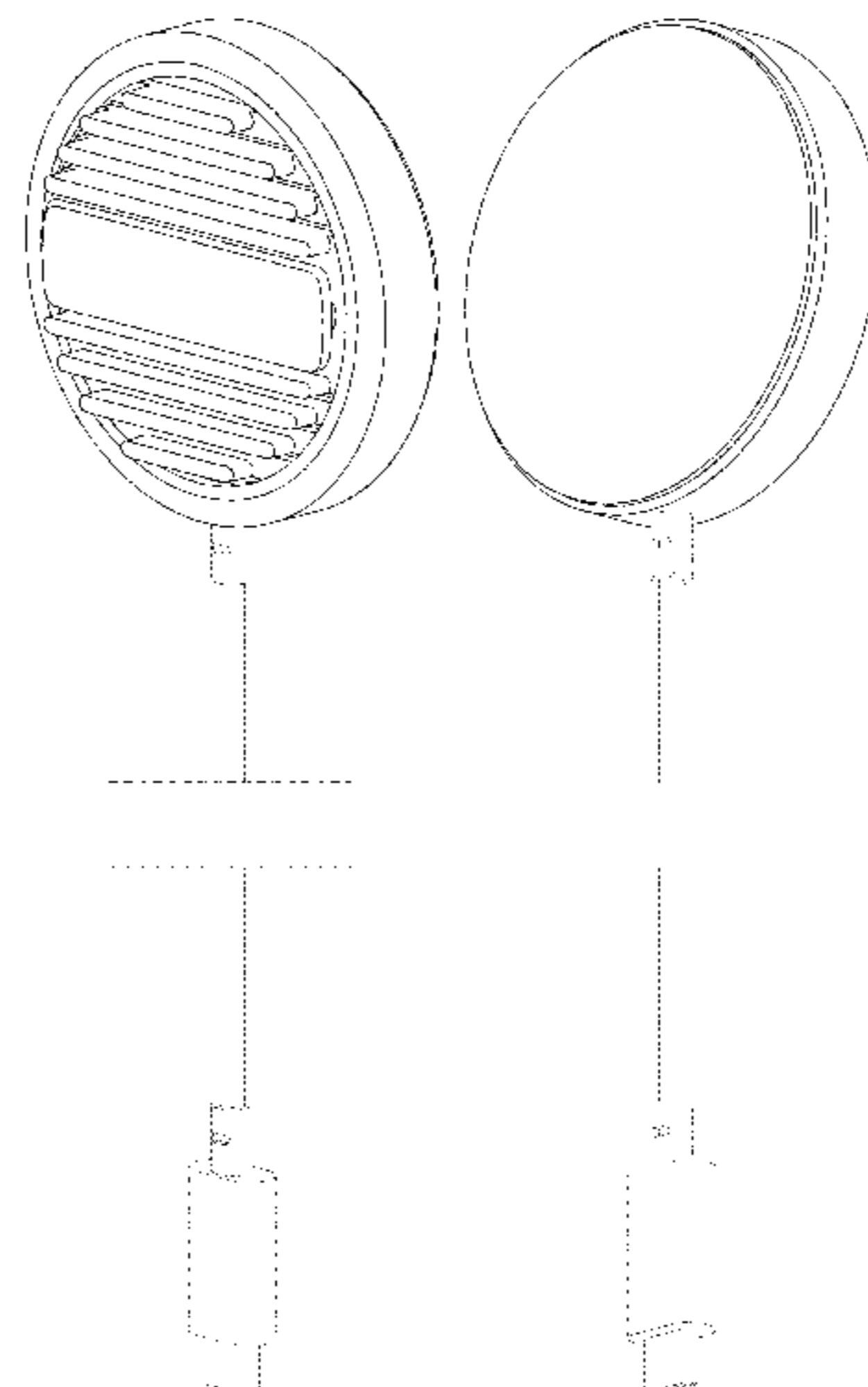
I claim the ornamental design for the wireless charger with
bracket, as shown and described.

DESCRIPTION

FIG. 1 is a top, front, right side perspective view of the
wireless charger with bracket, showing my new design in a
closed configuration;
FIG. 2 is a bottom, rear, left side perspective view thereof;
FIG. 3 is a front view thereof;
FIG. 4 is a rear view thereof;
FIG. 5 is a left view thereof;
FIG. 6 is a right view thereof;
FIG. 7 is a top view thereof;
FIG. 8 is a bottom view thereof;
FIG. 9 is the front, top, right side perspective view of the
wireless charger with bracket of FIG. 1, shown in an open
configuration; and,
FIG. 10 is the rear, bottom, left side perspective view of the
wireless charger with bracket of FIG. 1, shown in an open
configuration.

The broken lines shown in the drawings are for the purpose
of illustrating portions of the wireless charger with bracket
that form no part of the claimed design.

1 Claim, 10 Drawing Sheets



(56)

References Cited

U.S. PATENT DOCUMENTS

D720,289 S * 12/2014 Chiang D13/108
 D725,034 S * 3/2015 Chen D13/108
 D727,260 S * 4/2015 Aumiller D13/108
 D735,131 S * 7/2015 Akana D13/108
 D737,762 S * 9/2015 Aumiller D13/108
 D738,303 S * 9/2015 Symons D13/108
 D746,772 S * 1/2016 Aumiller D13/108
 D747,267 S * 1/2016 Aumiller D13/108
 D768,635 S * 10/2016 Due D14/432
 D784,259 S * 4/2017 Huang D13/108
 D798,807 S * 10/2017 Shi D13/108
 D839,189 S * 1/2019 Miller D13/103
 D849,683 S * 5/2019 Lee D13/108
 D850,367 S * 6/2019 Xiong D14/434
 D850,370 S * 6/2019 Lee D13/108
 D850,372 S * 6/2019 Kong D13/108
 D855,567 S * 8/2019 Cai D13/108
 D875,678 S * 2/2020 Kim D13/108
 D876,347 S * 2/2020 Nauroy D13/108
 D891,366 S * 7/2020 Xie D13/108
 D894,122 S * 8/2020 Ye D13/108
 D899,359 S * 10/2020 Zhang D13/108

D899,426 S * 10/2020 Akana D14/432
 D900,027 S * 10/2020 Reilly D13/108
 D900,733 S * 11/2020 Roberts D13/108
 D904,981 S * 12/2020 Worthy D13/110
 D908,620 S * 1/2021 Akana D13/108
 D935,402 S * 11/2021 Qiu D13/108
 D936,576 S * 11/2021 Joung D13/108
 D938,353 S * 12/2021 Gan D13/108
 D939,438 S * 12/2021 Hu D13/108
 D951,263 S * 5/2022 Morisawa D14/447
 D958,072 S * 7/2022 Yang D13/108
 2021/0167624 A1 * 6/2021 Su H02J 7/02

OTHER PUBLICATIONS

“Belkin MagSafe Wireless Charger (PSU Not Included), Made for MagSafe, 15W Fast Charging Pad with Kick Stand and 6.6ft Long Braided Cable, Compatible with iPhone 13 and 12, Pro, Max, Mini—Black”, Amazon.com, first available on Feb. 1, 2022. Retrieved from the internet: <<https://www.amazon.com/Belkin-Wireless-Charging-Official-Compatibility/dp/B09BBKHCHF/?th=1>>(Year: 2022).*

* cited by examiner

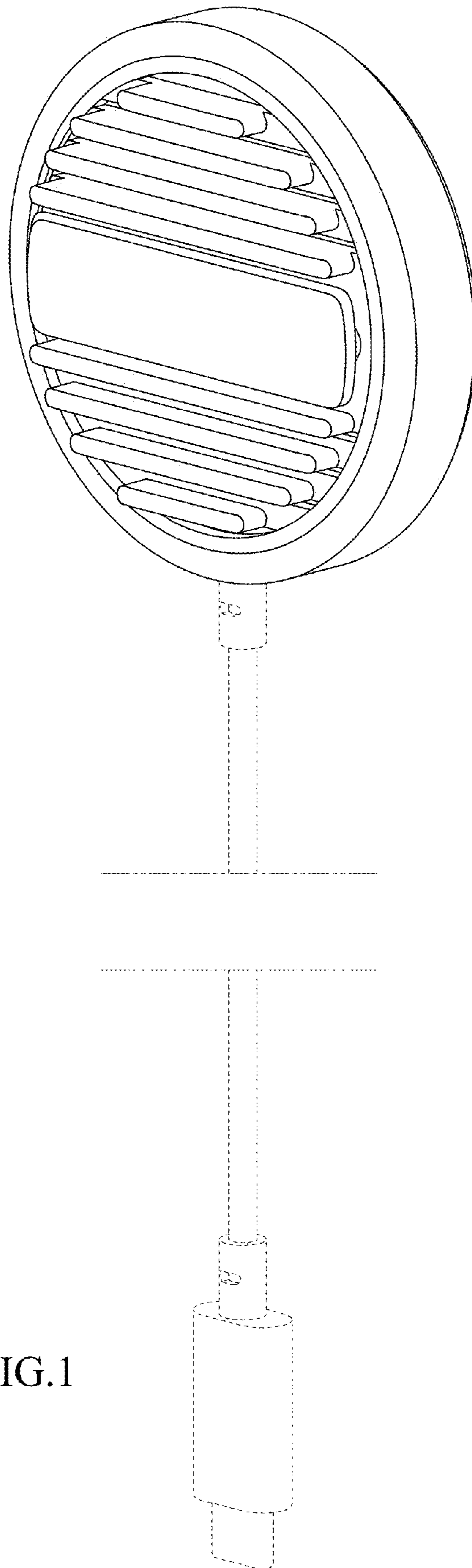


FIG.1

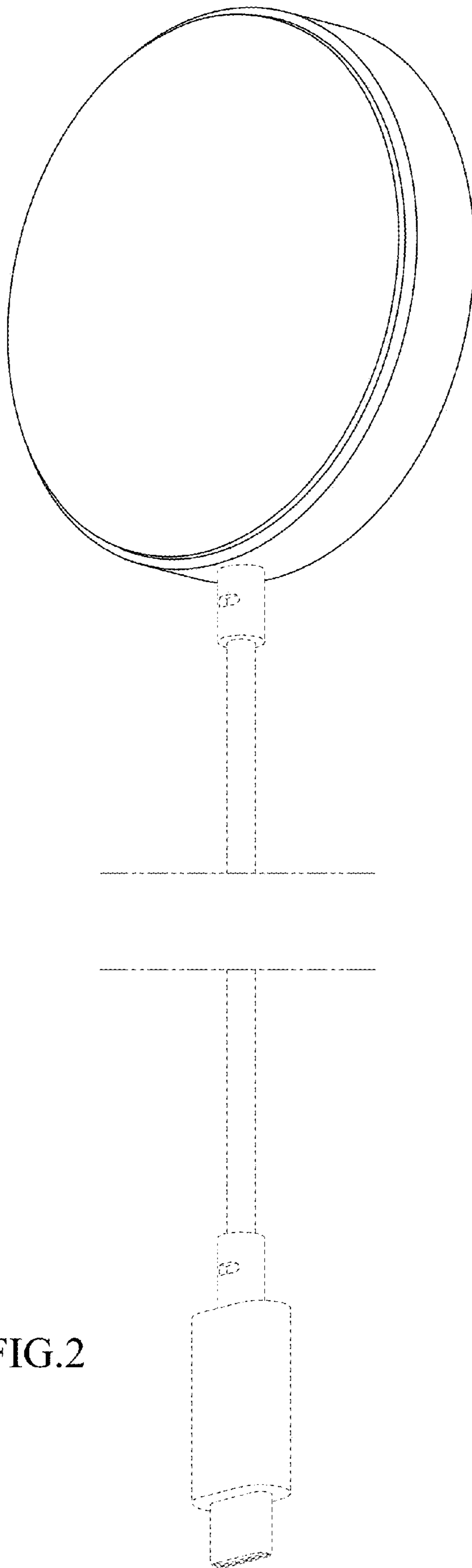


FIG.2

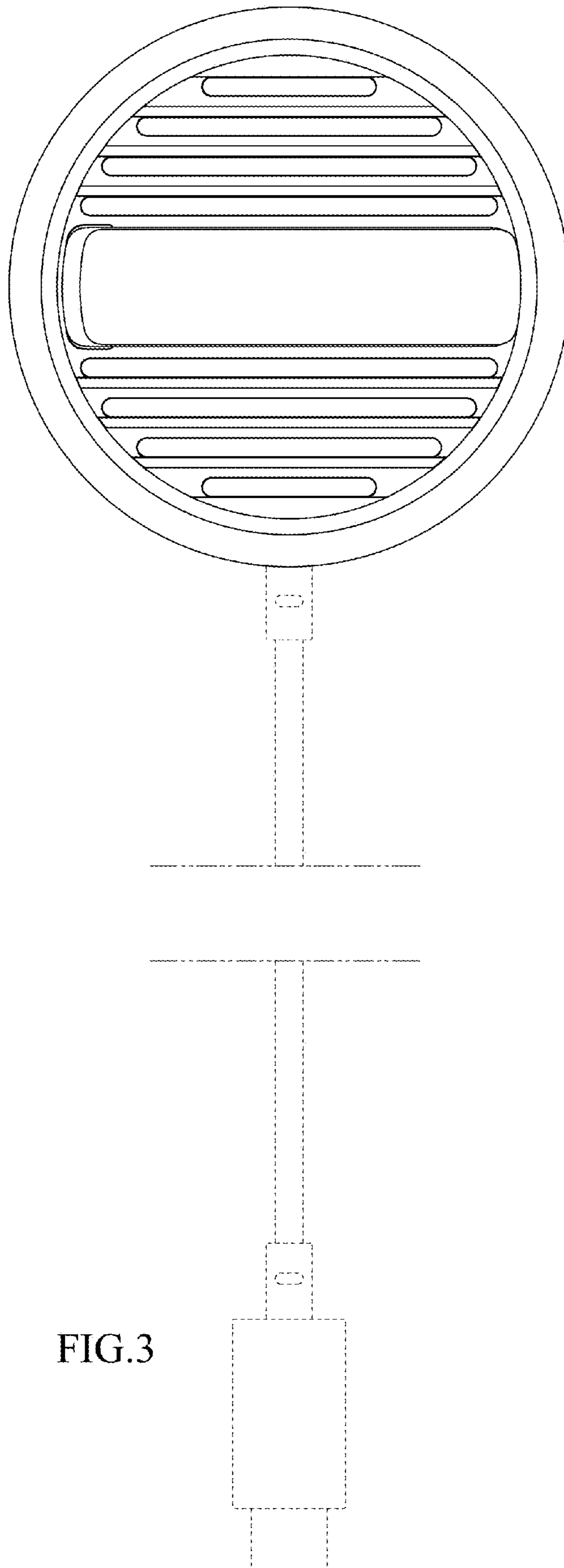


FIG.3

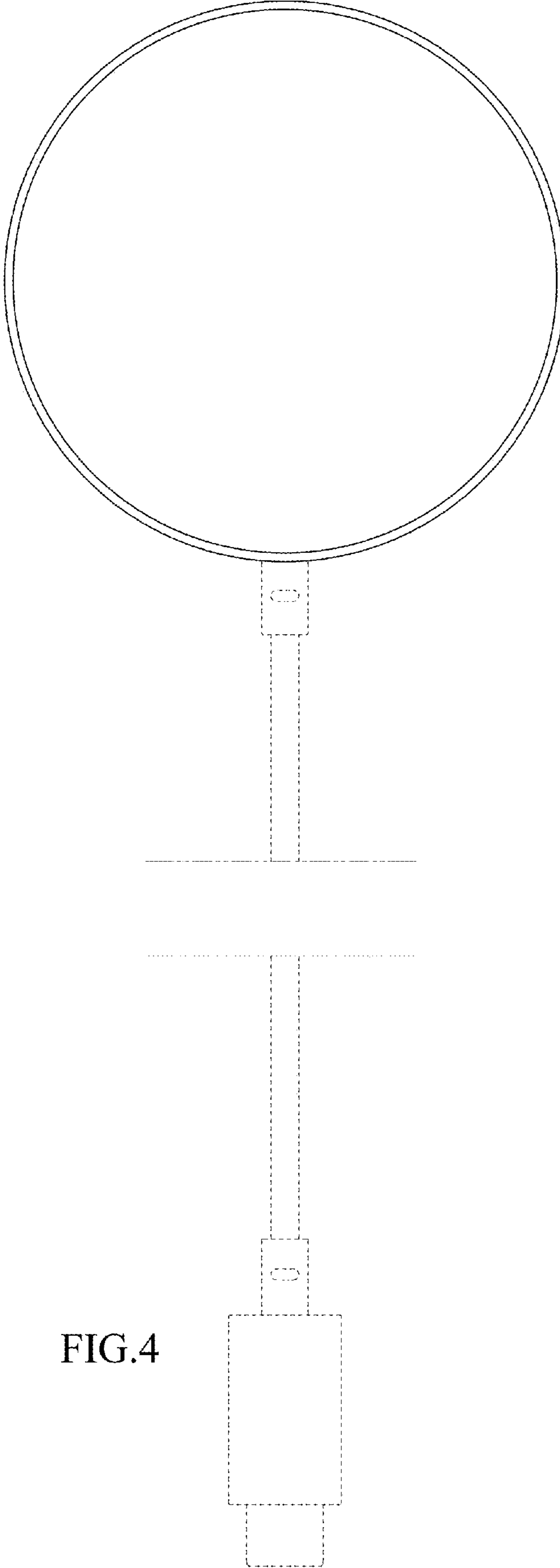


FIG.4

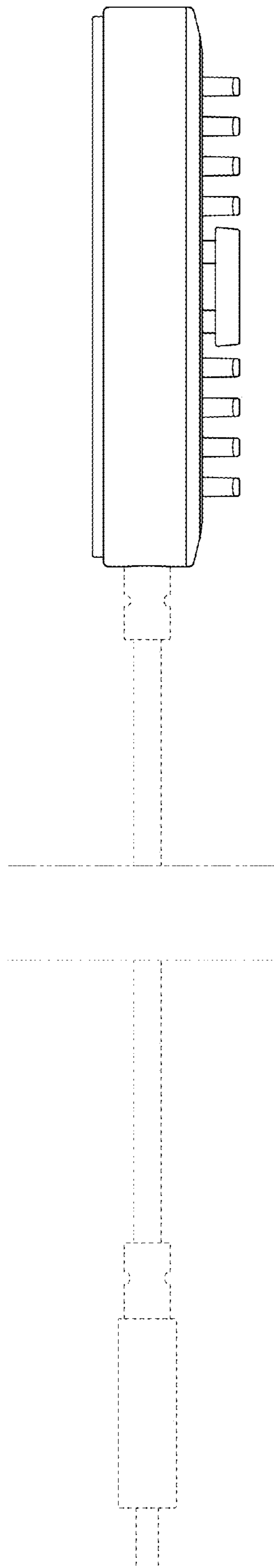


FIG.5

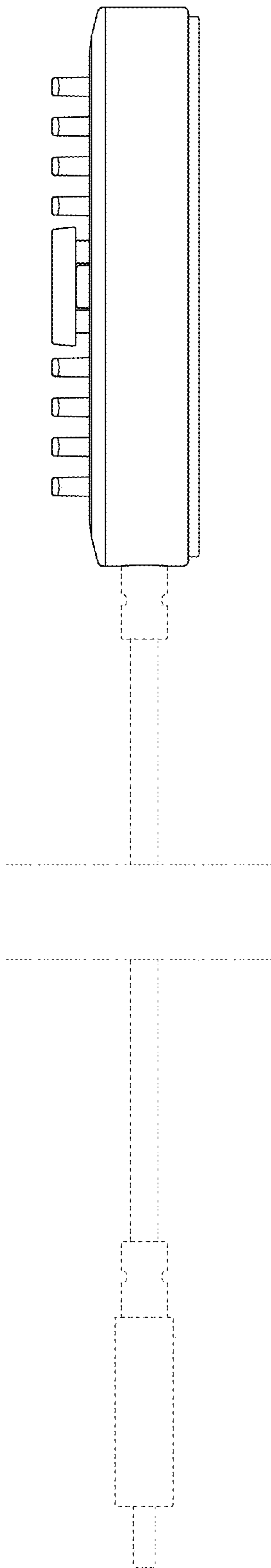


FIG.6

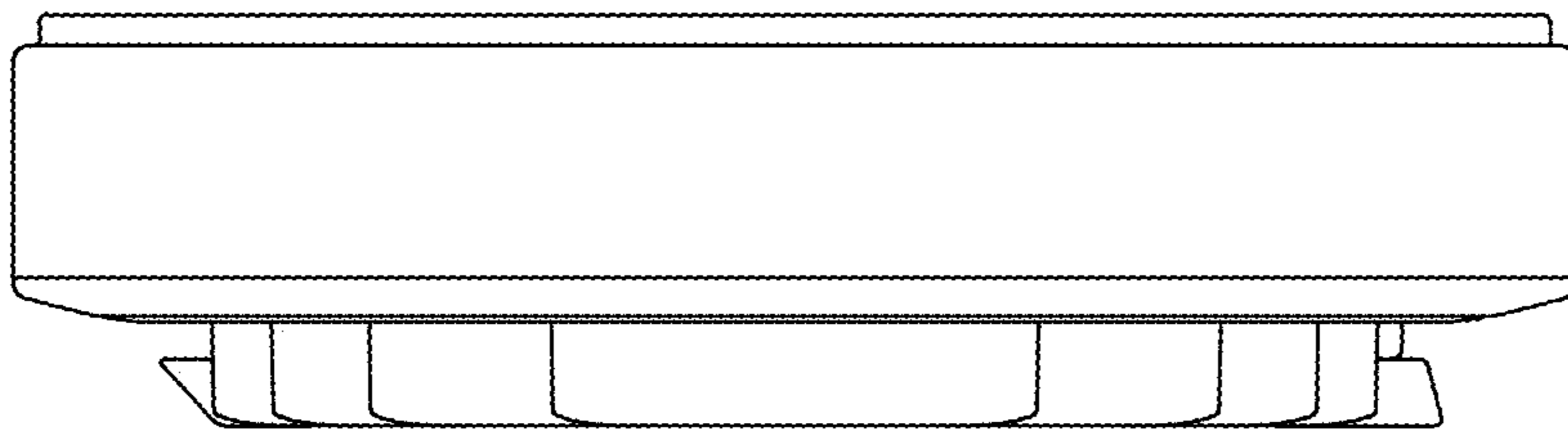


FIG.7

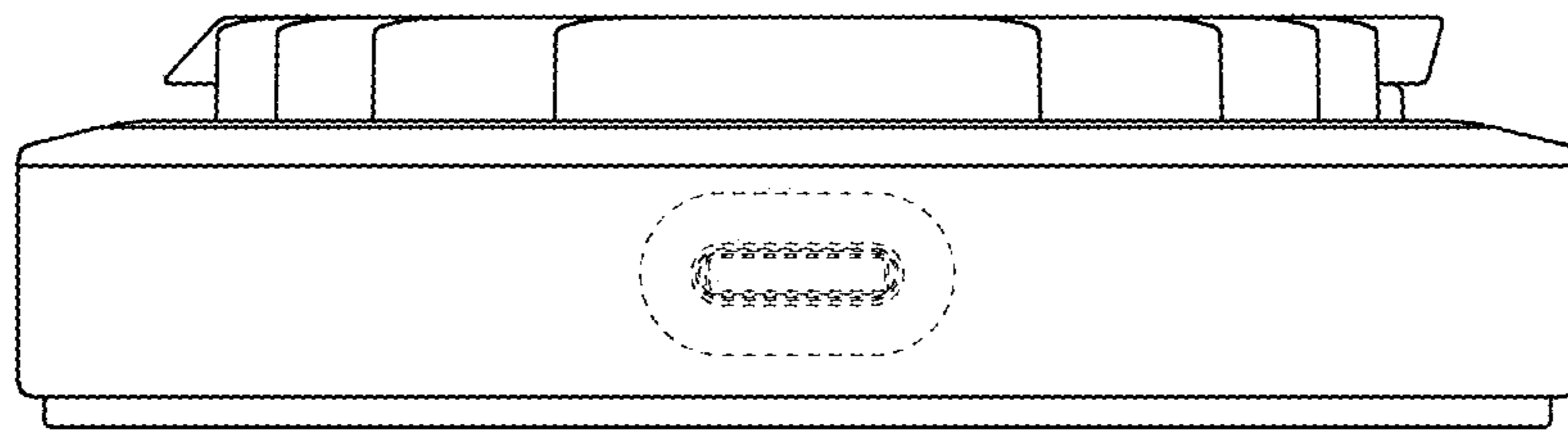


FIG. 8

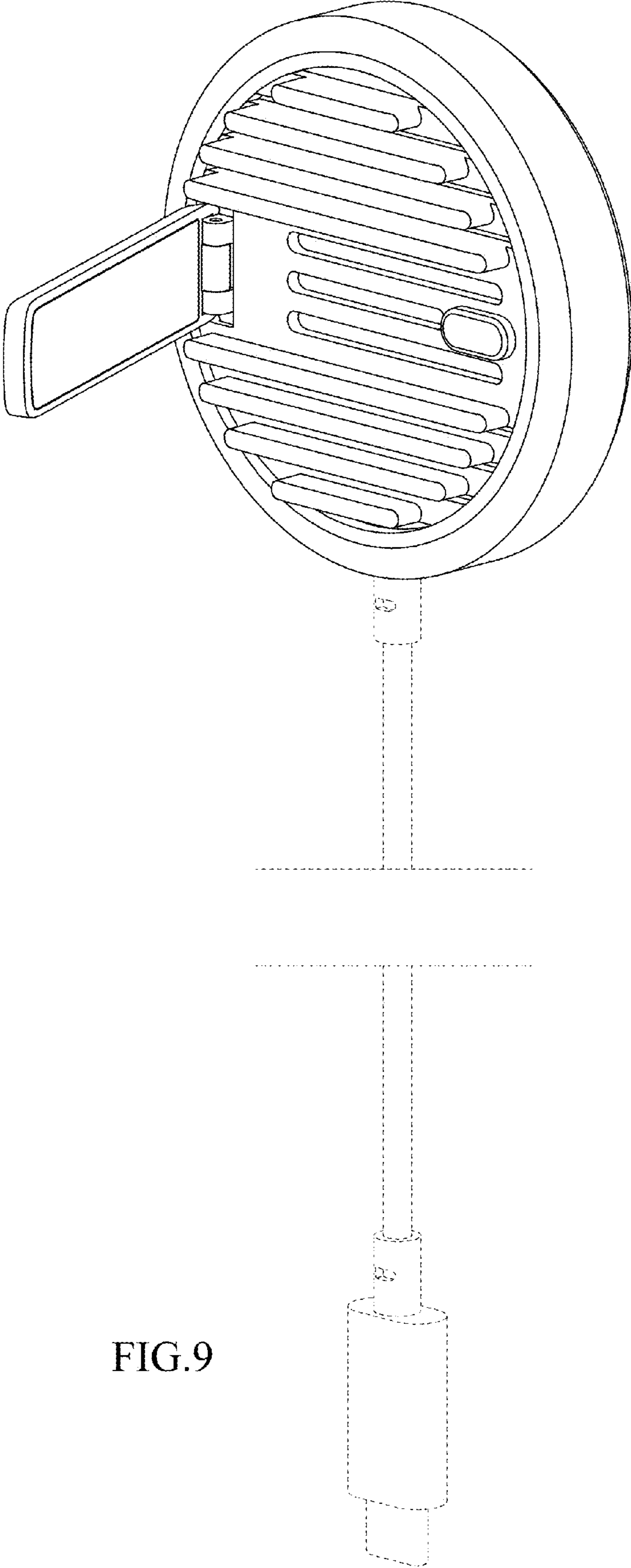


FIG.9

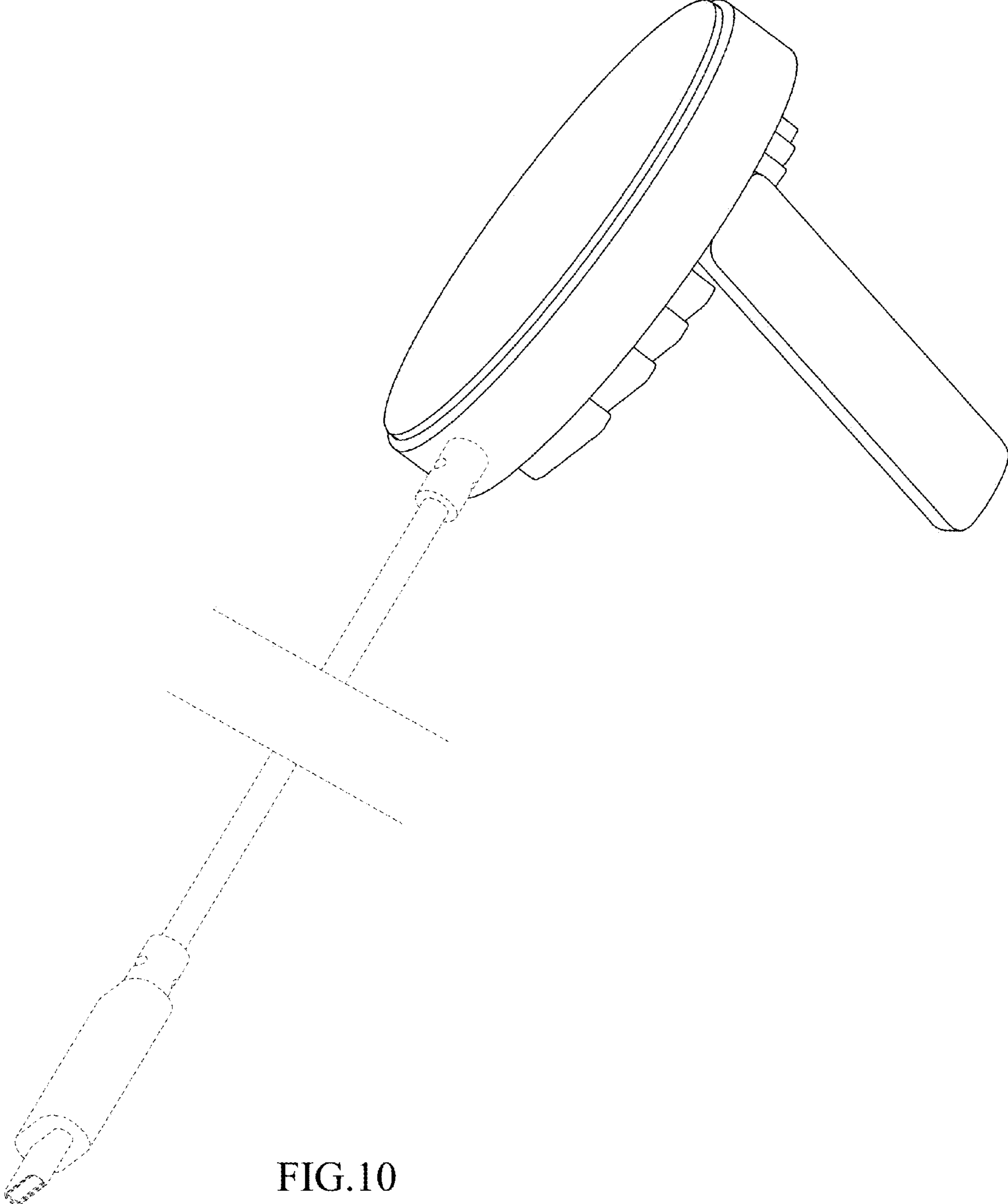


FIG.10