



US00D969075S

(12) **United States Design Patent** (10) **Patent No.:** **US D969,075 S**
Wei (45) **Date of Patent:** **** Nov. 8, 2022**

(54) **WIRELESS CHARGER**

- (71) Applicant: **Jianbin Wei**, Shenzhen (CN)
- (72) Inventor: **Jianbin Wei**, Shenzhen (CN)
- (73) Assignee: **Yuantouhuoshui (Shenzhen) Innovation Technology Co., Ltd.**, Shenzhen (CN)
- (**) Term: **15 Years**
- (21) Appl. No.: **29/769,018**
- (22) Filed: **Feb. 2, 2021**
- (51) **LOC (13) Cl.** **13-02**
- (52) **U.S. Cl.**
USPC **D13/108**
- (58) **Field of Classification Search**
USPC D13/103, 107, 108, 118, 119, 184, 199;
D14/251, 252, 253, 432, 433, 434, 439,
D14/447
CPC H02J 15/00; H02J 7/0027; H01M 10/00
See application file for complete search history.

(56) **References Cited**

U.S. PATENT DOCUMENTS

D814,413 S *	4/2018	Zhong	D13/108
10,122,189 B1 *	11/2018	Walker	H02J 7/0044
D850,369 S *	6/2019	Wang	D13/108
D853,325 S *	7/2019	Xu	D13/108
D886,056 S *	6/2020	Zhang	D13/108
D902,149 S *	11/2020	Tu	D13/108
D911,279 S *	2/2021	Hu	D13/108
D911,947 S *	3/2021	Qiu	D13/108
D915,277 S *	4/2021	Peng	D13/108
D929,321 S *	8/2021	Zhu	D13/108
D946,516 S *	3/2022	Teng	D13/108
2015/0196151 A1 *	7/2015	Phipps	F16M 11/24 211/85.2
2016/0261139 A1 *	9/2016	Kidakarn	H02J 50/10

FOREIGN PATENT DOCUMENTS

EM 008427041-0002 * 2/2021

OTHER PUBLICATIONS

“Seenda Wireless Charging Station”. Found online May 17, 2022 at amazon.com. Reference dated Nov. 25, 2020. Retrieved from https://www.amazon.com/seenda-Wireless-Charging-Station-Multiple/dp/B08CXZQ1N1/ref=psdc_2407761011_t1_B07TH2P3V7?th=1. (Year: 2020).*

“Alxum USB Charging Station”. Found online May 17, 2022 at amazon.ca. Reference dated Feb. 27, 2017. Retrieved from https://www.amazon.ca/dp/B01NBTNEO0/ref=sspa_dk_detail_7?th=1. (Year: 2017).*

“Muzhi Charging Station”. Found online May 17, 2022 at amazon.com. Reference dated Aug. 18, 2020. Retrieved from https://www.amazon.com/Charging-Station-Multiple-MUZHI-Organizer/dp/B08G4WMQ8L/ref=pd_di_sccai_cn_scc1_2_7/133-1437029-9147658. (Year: 2020).*

* cited by examiner

Primary Examiner — Kendra Leslie Hamilton
Assistant Examiner — Amanda Christensen

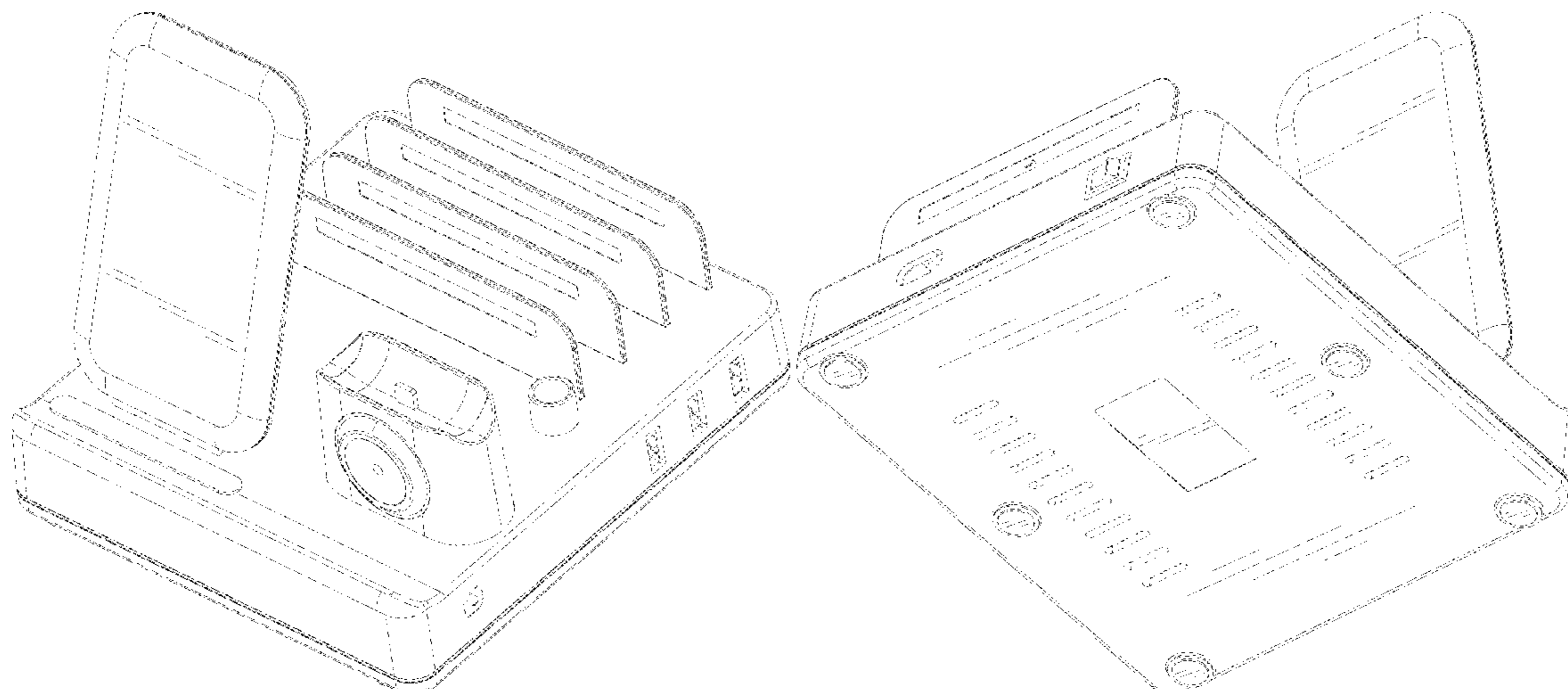
(57) **CLAIM**

The ornamental design for a wireless charger, as shown and described.

DESCRIPTION

FIG. 1 is a front, top perspective view of a wireless charger showing my new design;
 FIG. 2 is a rear, bottom perspective view thereof;
 FIG. 3 is a top perspective view thereof;
 FIG. 4 is a front elevation view thereof;
 FIG. 5 is a rear elevation view thereof;
 FIG. 6 is a left side elevation view thereof;
 FIG. 7 is a right side elevation view thereof;
 FIG. 8 is a top plan view thereof; and,
 FIG. 9 is a bottom plan view thereof.
 The broken lines in the drawings depict portions of the wireless charger that form no part of the claimed design.

1 Claim, 9 Drawing Sheets



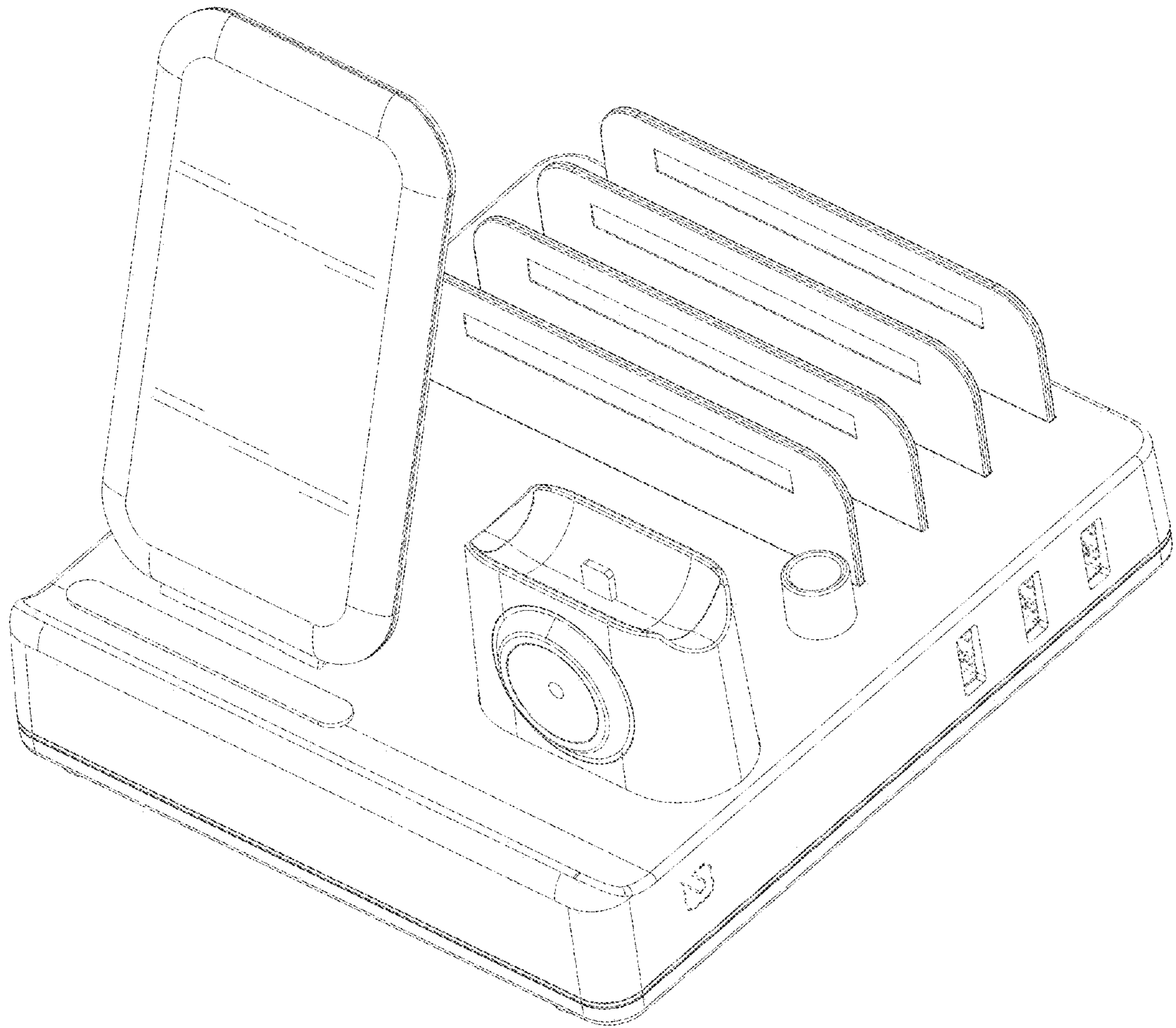


FIG. 1

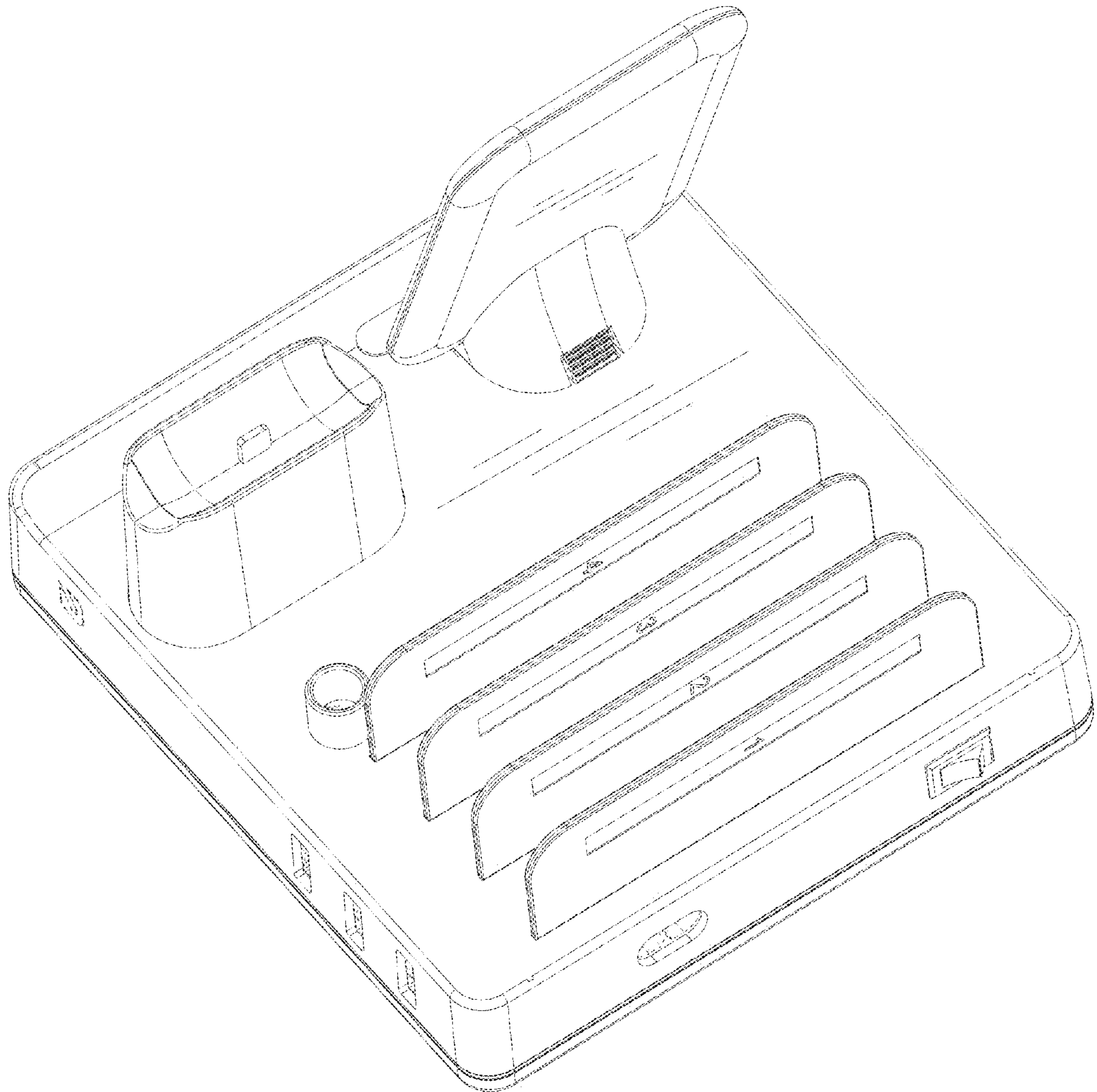


FIG. 2

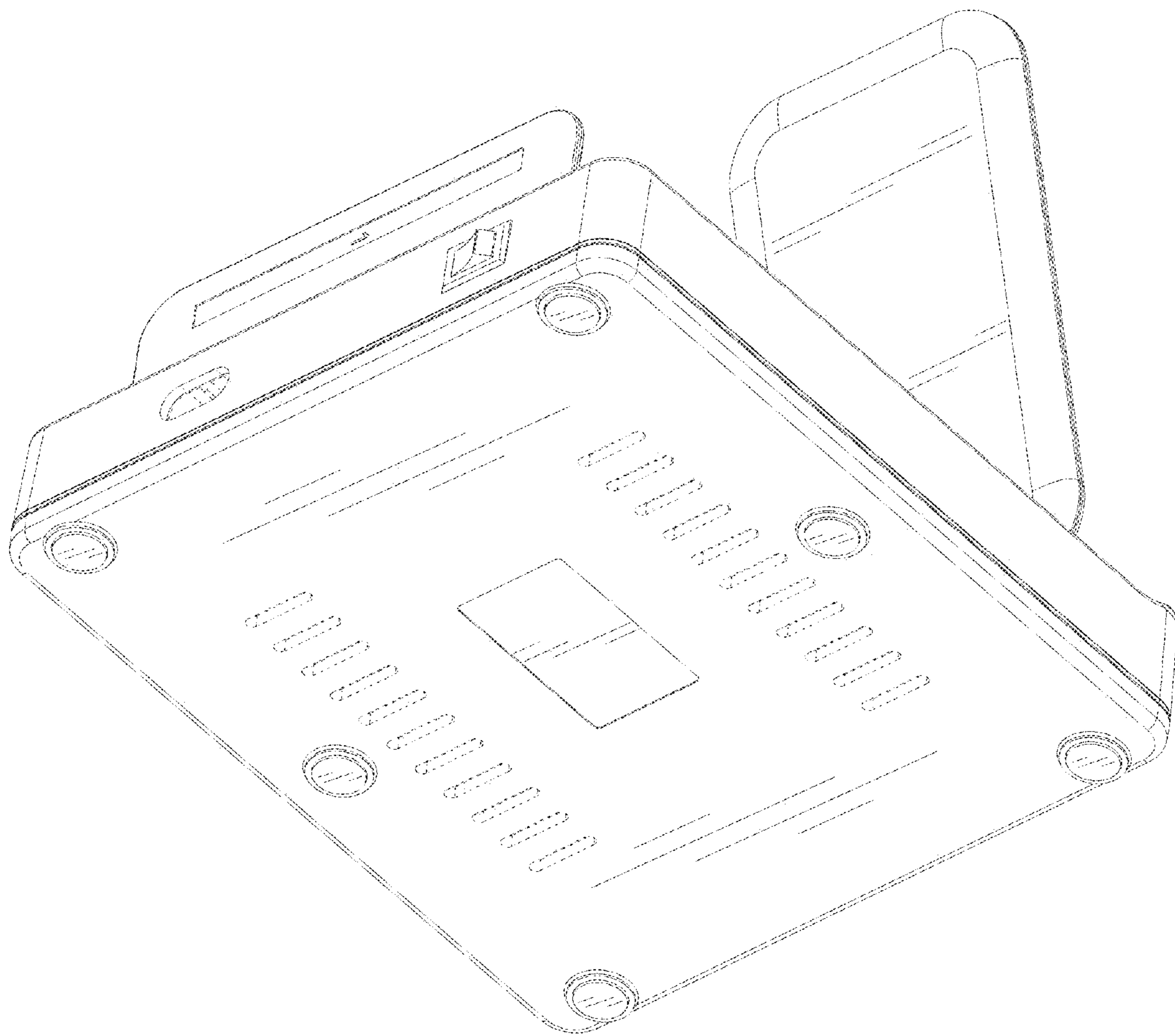


FIG. 3

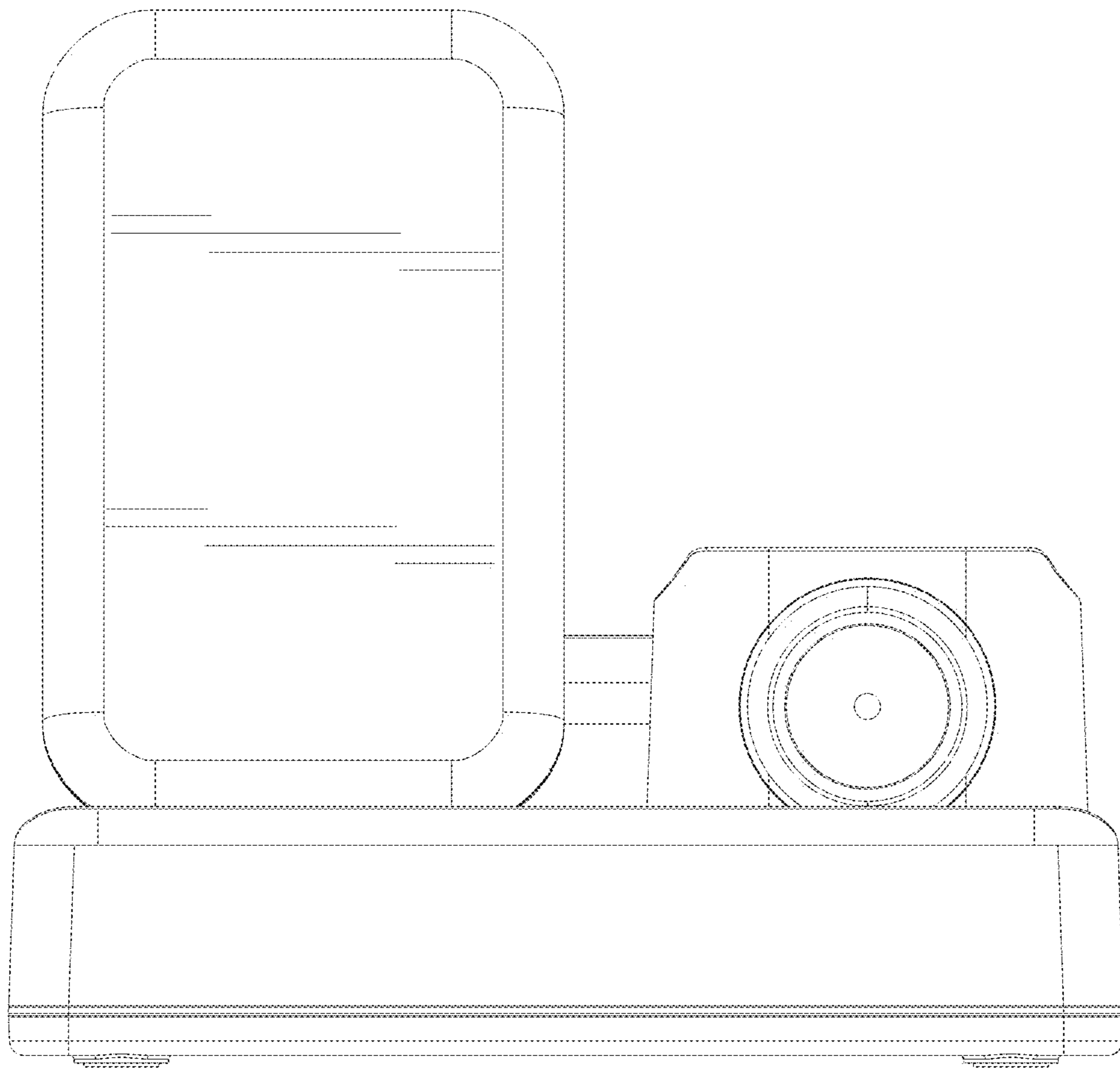


FIG. 4

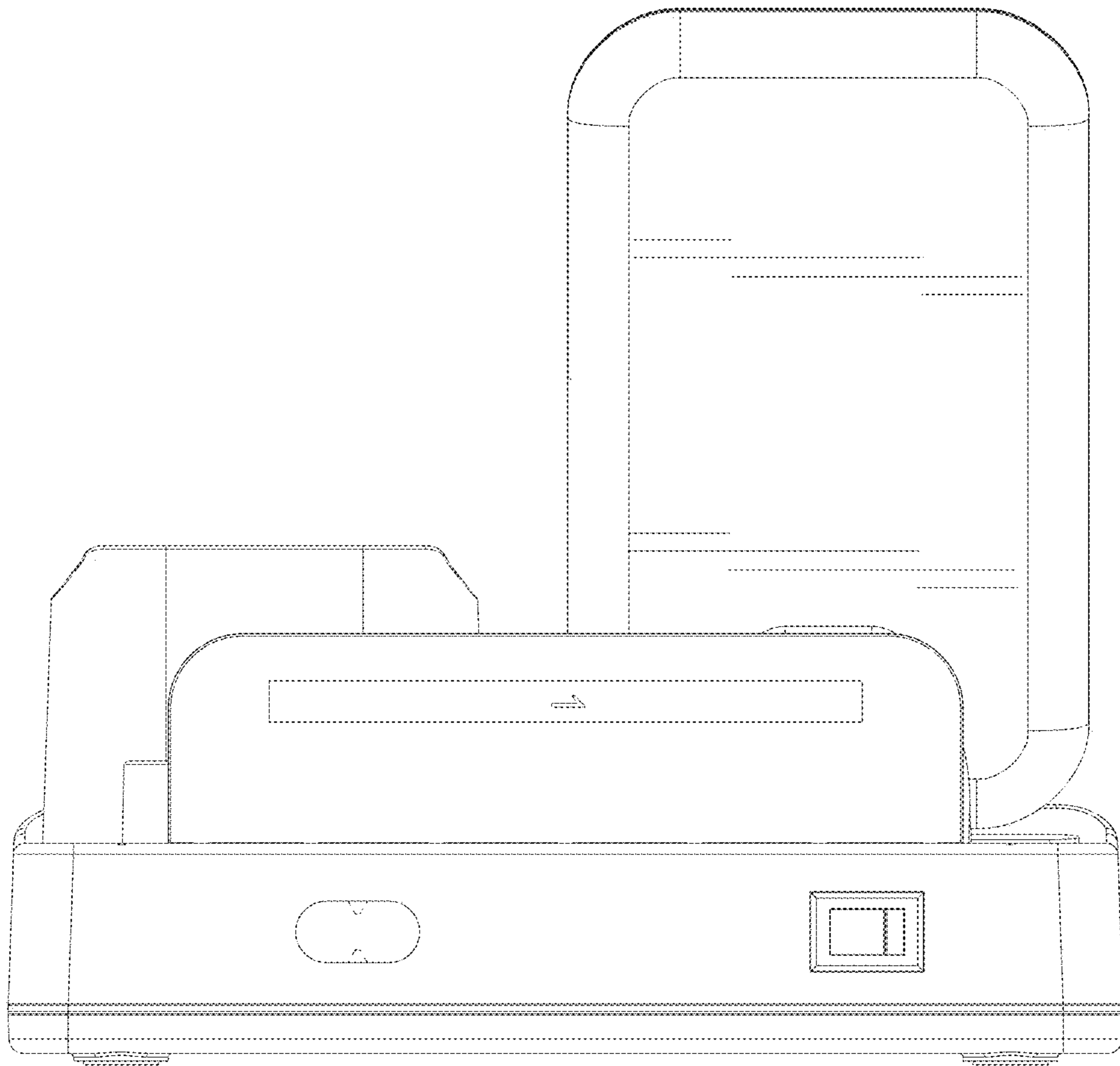


FIG. 5

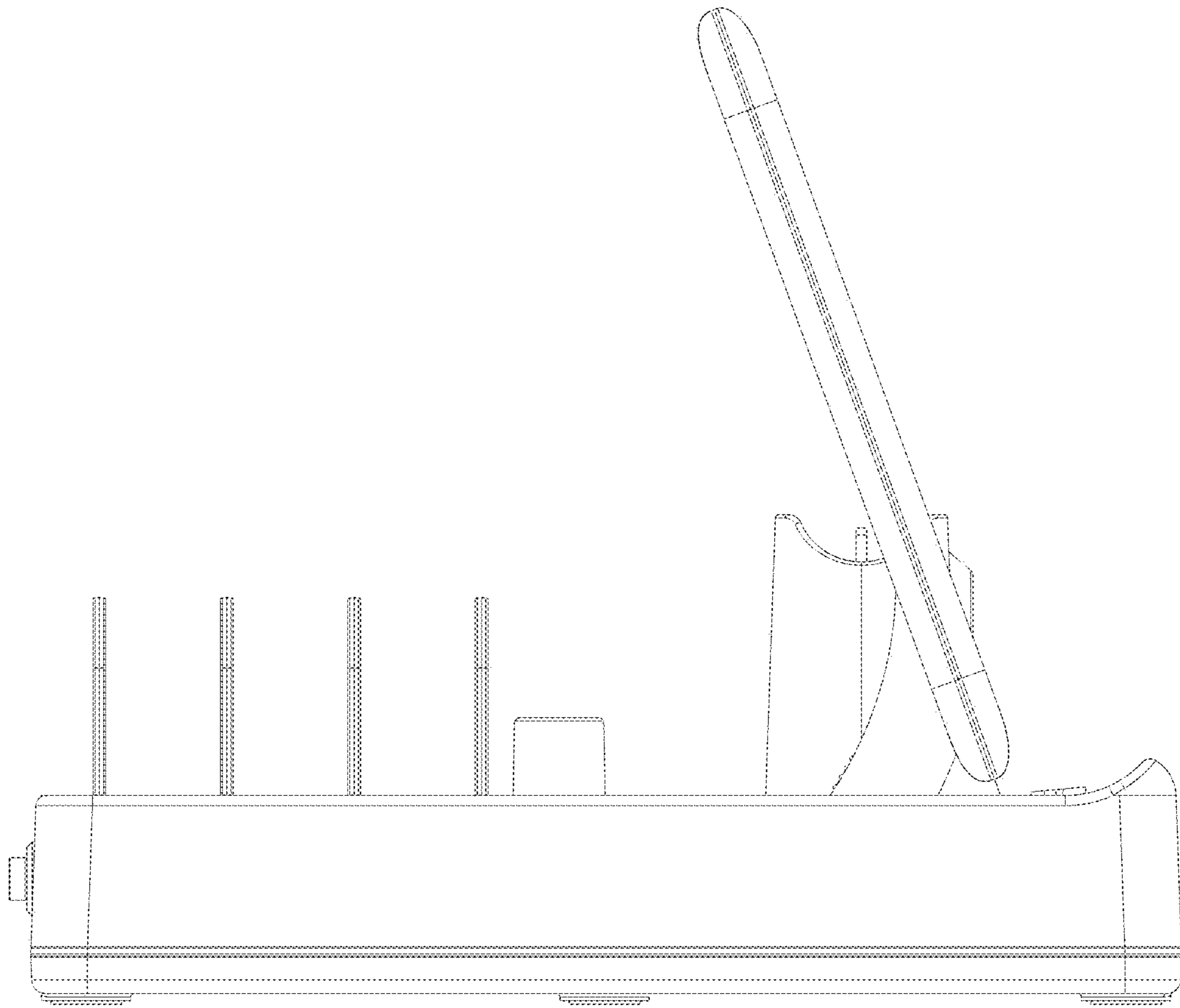


FIG. 6

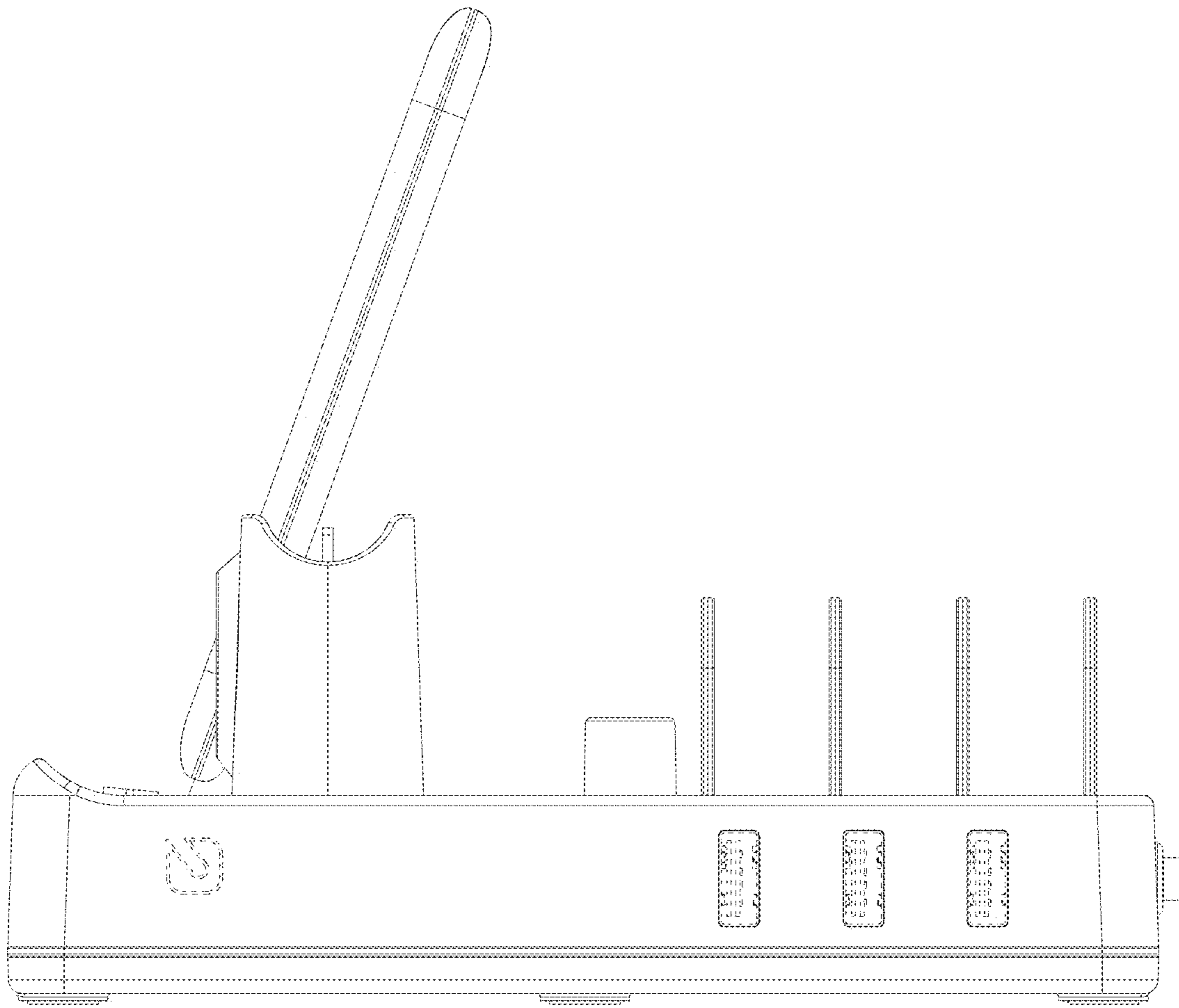


FIG. 7

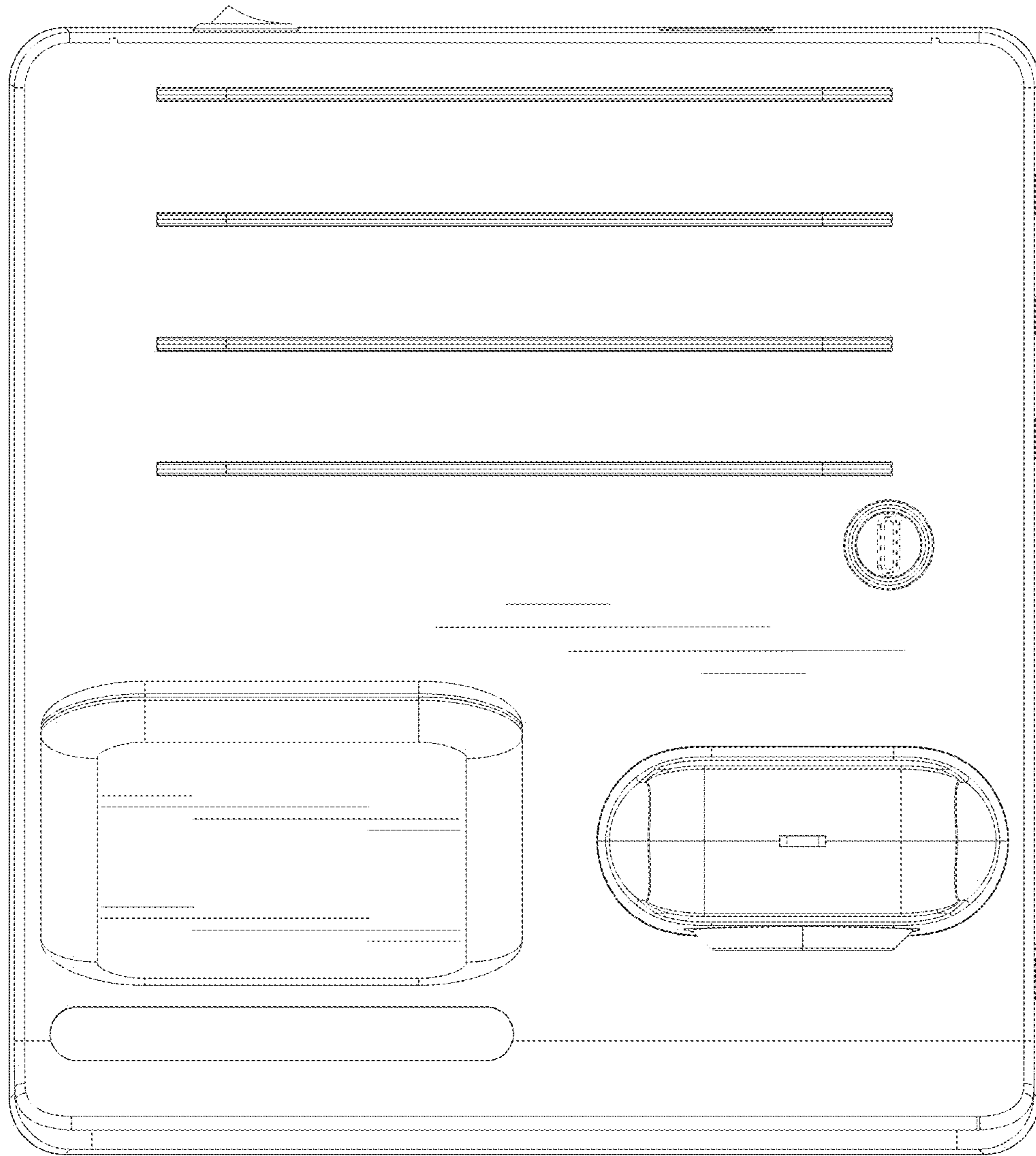


FIG. 8

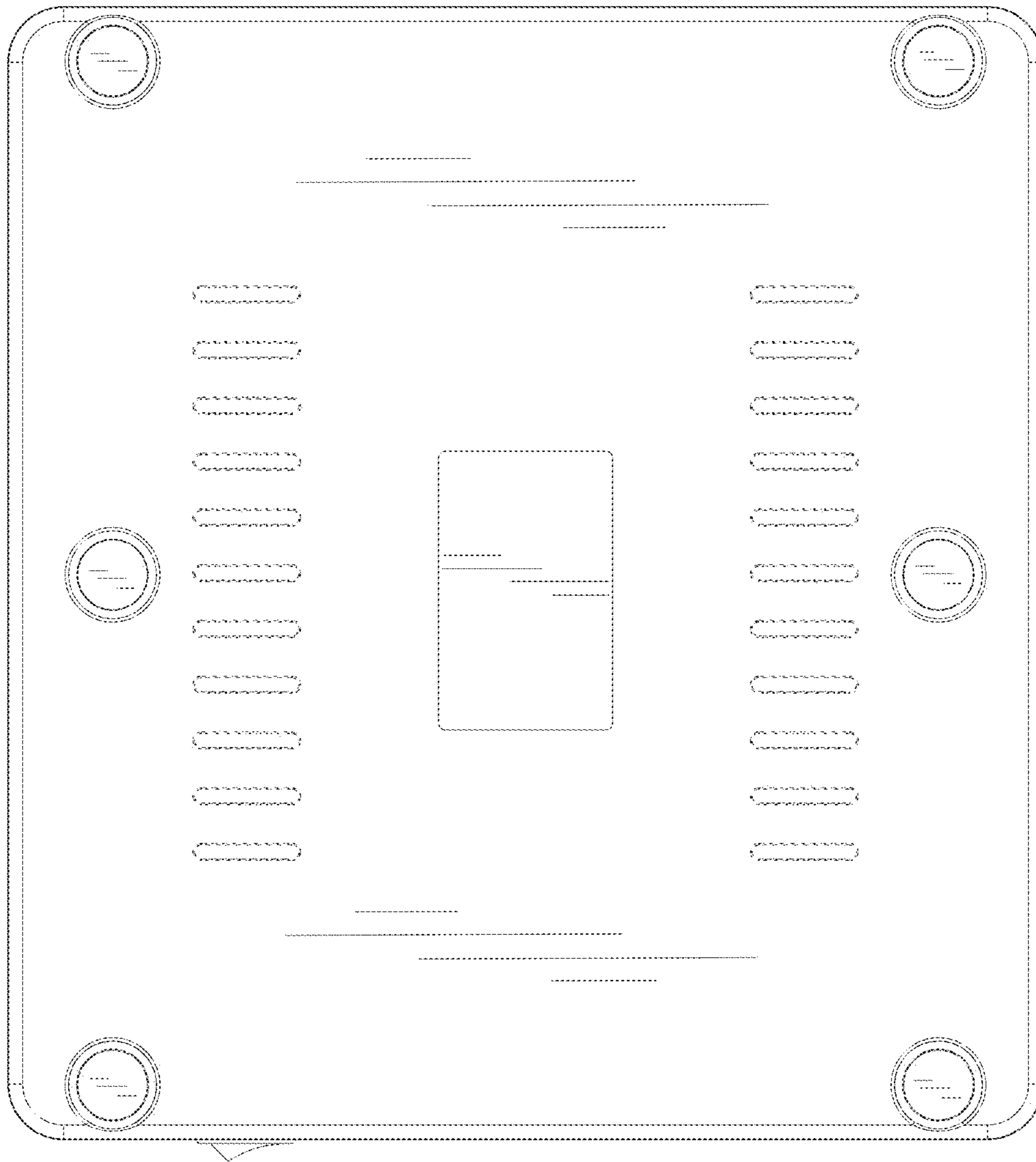


FIG. 9