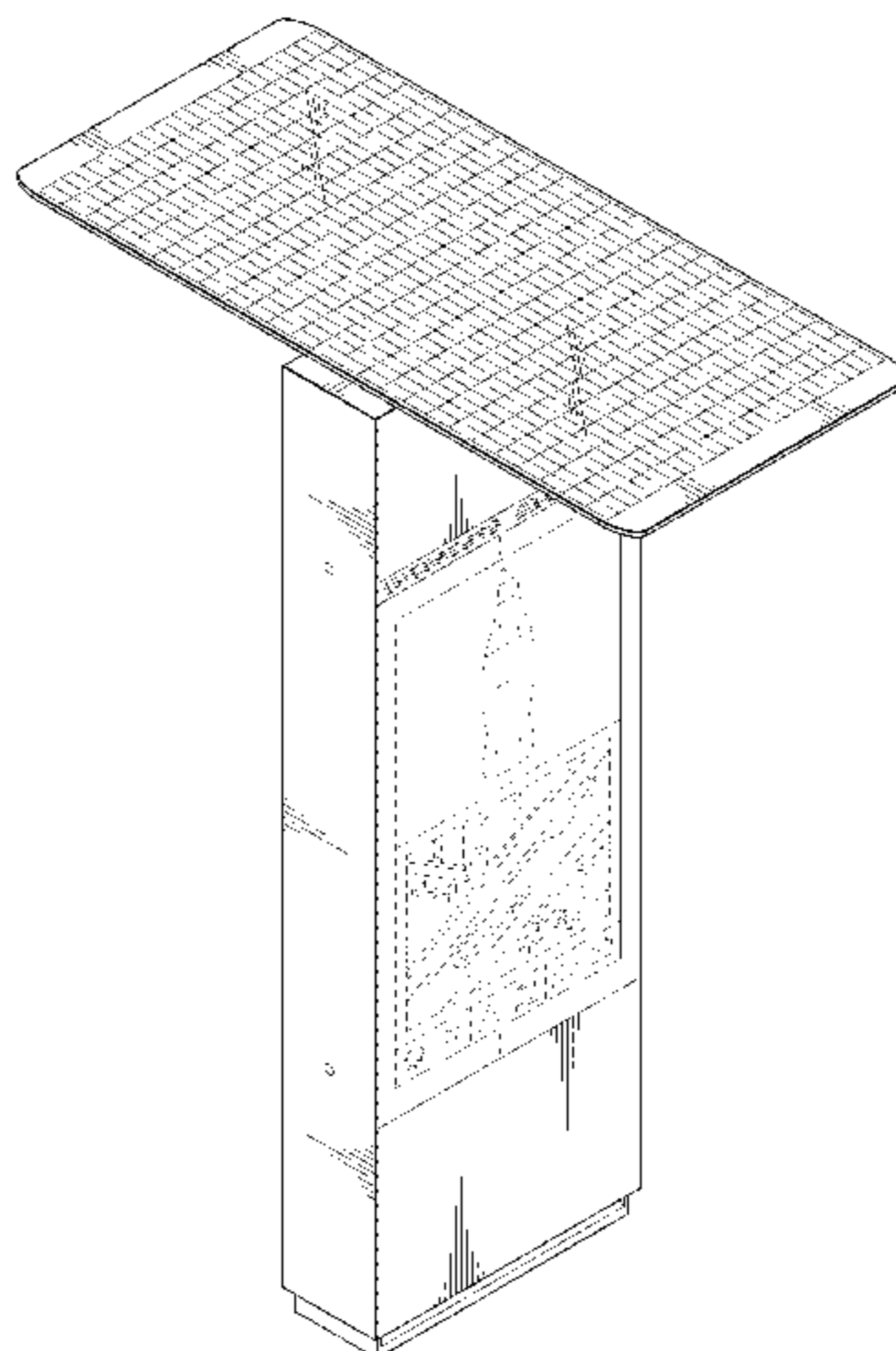


US00D969066S

(12) **United States Design Patent** (10) **Patent No.:** **US D969,066 S**  
**Dunn** (45) **Date of Patent:** **\*\* Nov. 8, 2022**

(54) <b>SOLAR POWERED ELECTRONIC DISPLAY KIOSK</b>	4,718,185 A *	1/1988	Conlin .....	H02S 40/38 320/155
(71) Applicant: <b>Manufacturing Resources International, Inc., Alpharetta, GA (US)</b>	D311,722 S *	10/1990	Cheng .....	D13/102
(72) Inventor: <b>William Dunn, Alpharetta, GA (US)</b>	5,306,156 A	4/1994	Gibbs et al.	
(73) Assignee: <b>Manufacturing Resources International, Inc., Alpharetta, GA (US)</b>	D357,944 S	5/1995	Atwell et al.	
(**) Term: <b>15 Years</b>	D380,191 S *	6/1997	White .....	D13/102
(21) Appl. No.: <b>29/840,589</b>	D403,434 S	12/1998	Sander	
(22) Filed: <b>May 31, 2022</b>	D408,554 S	4/1999	Dinwoodie	
<b>Related U.S. Application Data</b>	D410,036 S *	5/1999	Washington .....	D20/41
(62) Division of application No. 29/711,244, filed on Oct. 29, 2019, now Pat. No. Des. 957,317.	D410,751 S	6/1999	Meier	
(51) <b>LOC (13) Cl.</b> ..... <b>13-02</b>	D453,194 S	1/2002	Gentelia et al.	
(52) <b>U.S. Cl.</b>	D455,789 S	4/2002	Schlueter	
USPC ..... <b>D13/102</b>	6,396,239 B1	5/2002	Benn et al.	
(58) <b>Field of Classification Search</b>	D479,859 S	9/2003	Strunk et al.	
USPC ..... D13/102, 101, 103, 110, 118, 133, 182, D13/184, 199; D26/63, 67, 68, 71; D14/302, 307, 308, 349; D20/39, 43	D483,074 S	12/2003	Strunk et al.	
CPC ..... Y02E 10/40; Y02E 10/44; Y02E 10/50; Y02E 10/52; Y02E 10/542; Y02E 10/544; E04H 4/08; F24J 2/38; F24J 2/0472; F24J 2/542; H01L 31/00; H01L 31/042; H01L 31/045; H01L 31/048; H01L 31/049; H01L 31/052; H01L 31/184; H01L 31/0232; H01L 31/0508; H01L 31/0512; H01L 31/0543; H01L 31/02013; H01L 31/1876; H01L 51/0061; H02S 40/34	D486,188 S	2/2004	Norcross et al.	
See application file for complete search history.	D493,842 S *	8/2004	Norcross .....	D20/43
(56) <b>References Cited</b>	D500,143 S	12/2004	Moncho et al.	
<b>U.S. PATENT DOCUMENTS</b>	D505,113 S	5/2005	Lam	
D222,989 S 2/1972 Cohen	D514,913 S	2/2006	Dunn et al.	
4,534,496 A 8/1985 Bott	D530,432 S	10/2006	Gottesdiener	
	D535,034 S	1/2007	Gottesdiener	
	D560,668 S	1/2008	Pritchard et al.	
	D585,943 S	2/2009	Pymm et al.	
	D593,213 S	5/2009	Grimshaw et al.	
	D595,645 S	7/2009	Beghelli	
	D603,973 S	11/2009	Jackson et al.	
	D610,536 S *	2/2010	Brumels .....	D13/102
	D639,800 S	6/2011	Magruder	
	D646,269 S	10/2011	Crick, Jr. et al.	
	D653,662 S	2/2012	Park et al.	
	D654,116 S	2/2012	McDougall et al.	
	D659,259 S	5/2012	Duddy	
	D662,040 S	6/2012	Yang et al.	
	D665,029 S	8/2012	Krapf et al.	
	D671,885 S *	12/2012	Steinau .....	D13/102
	D696,658 S	12/2013	Winston et al.	
	D710,298 S	8/2014	Jie et al.	
	8,819,968 B1 *	9/2014	Van Beek .....	G09F 27/007 40/605
	8,895,836 B2	11/2014	Amin et al.	
	9,121,391 B1	9/2015	Koehler, III	
	D740,966 S	10/2015	Indio da Costa et al.	
	D747,816 S	1/2016	Indio da Costa et al.	
	D752,529 S	3/2016	Loretan et al.	
	D754,256 S	4/2016	Maman et al.	
	D775,622 S	1/2017	Fu et al.	
	D777,695 S	1/2017	Odryna et al.	
	D786,453 S	5/2017	Indio da Costa et al.	
	D786,454 S	5/2017	Indio da Costa et al.	
	D791,069 S	7/2017	Mota et al.	
	D795,453 S	8/2017	Indio da Costa et al.	
	D797,658 S	9/2017	Feller et al.	



D804,054 S	11/2017	Indio da Costa et al.	
D806,895 S	1/2018	Terashima et al.	
D807,840 S	1/2018	Lee et al.	
D813,802 S *	3/2018	Krantz .....	D13/102
D816,624 S	5/2018	Odryna et al.	
D817,288 S	5/2018	Won et al.	
D820,798 S	6/2018	Yurusov	
9,994,160 B2	6/2018	Kim et al.	
D831,599 S	10/2018	Chong et al.	
D835,926 S	12/2018	Abatemarco, Jr.	
D839,352 S	1/2019	Lim et al.	
10,278,311 B2	4/2019	DeMars	
10,290,243 B2	5/2019	Lanham	
D856,530 S	8/2019	Oskoui	
D861,623 S	10/2019	Odryna et al.	
D879,202 S	3/2020	Hornsby et al.	
D883,278 S	5/2020	Yepez et al.	
D885,382 S	5/2020	Kim et al.	
10,757,844 B2	8/2020	Dunn et al.	
10,820,445 B2	10/2020	Diaz	
10,827,657 B2	11/2020	Lee	
10,831,050 B2	11/2020	Dunn et al.	
D913,276 S	3/2021	Dunn	
D913,277 S	3/2021	Dunn	
D913,278 S	3/2021	Dunn	
D916,189 S	4/2021	Dunn	
D916,190 S	4/2021	Dunn	
D916,319 S	4/2021	Dunn	
D916,971 S	4/2021	Dunn	
D916,972 S	4/2021	Dunn	
D916,973 S	4/2021	Dunn	
D916,974 S	4/2021	Dunn	
D916,975 S	4/2021	Dunn	
D916,976 S	4/2021	Dunn	
D916,977 S	4/2021	Dunn	
D934,159 S	10/2021	Dunn et al.	
11,148,621 B2	10/2021	Dunn et al.	
D941,235 S	1/2022	Dunn et al.	
D941,236 S	1/2022	Dunn et al.	
2003/0119448 A1	6/2003	Arntz	
2008/0298051 A1	12/2008	Chu	
2009/0183405 A1	7/2009	Wilkes	
2010/0079979 A1	4/2010	Nakamichi et al.	
2011/0075363 A1	3/2011	Nakamichi et al.	
2011/0298841 A1	12/2011	Fujimori	
2012/0002357 A1	1/2012	Auld et al.	
2012/0224116 A1	9/2012	Barnes	
2013/0033222 A1	2/2013	Hixson et al.	
2015/0194561 A1	7/2015	Toya et al.	
2015/0381922 A1	12/2015	Hamilton	
2016/0132849 A1 *	5/2016	Melo .....	G06Q 20/3224 705/17
2018/0293921 A1	10/2018	Margrill	
2018/0317330 A1	11/2018	Dunn et al.	
2018/0345809 A1	12/2018	Derrien et al.	
2021/0066923 A1	3/2021	Dunn et al.	
2021/0313927 A1	10/2021	Dunn et al.	

FOREIGN PATENT DOCUMENTS

CN	106782121 A	5/2017
CN	109961695 A	7/2019
EM	008035232-0001	7/2020
EP	4022595 A1	7/2022
KR	300422537.0000	8/2006
KR	10-1444022 B1	10/2014
WO	2016/102980 A1	6/2016
WO	D098725-001	12/2017
WO	2021/041381 A1	3/2021

OTHER PUBLICATIONS

Civiq Smartscapes, There are companies that make kiosks. And then there's Civiq.—Advanced Smart City Platform, webpage, Jan. 30, 2019, 10 pages.  
 Civiq Smartscapes, Connecting people, places & experiences, webpage, Jan. 30, 2019, 5 pages.  
 Civiq Smartscapes, Connecting people, places & experiences, screen shot of devices webpage, Jan. 30, 2019, 1 page.  
 Melford Technologies, Part 1, video online at <https://m.youtube.com/watch?v=OAV7zzVrHtE&feature=youtu.be>, Oct. 21, 2019, 1 page.  
 Manufacturing Resources International, Manufacturing Resources International home webpage, Nov. 4, 2019, 2 pages.  
 Manufacturing Resources International, LCD Display Deployments webpage, Nov. 4, 2019, 3 pages.  
 Manufacturing Resources International, BoldVu Outdoor LCD Display webpage, Nov. 4, 2019, 2 pages.  
 Manufacturing Resources International, BoldVu Semi Outdoor LCD Display webpage, Nov. 8, 2019, 2 pages.  
 Manufacturing Resources International, BoldVu Vehicle Top LCD Display webpage, Nov. 8, 2019, 2 pages.  
 Manufacturing Resources International, Drivethru Menu Boards Webpage, Nov. 8, 2019, 2 pages.  
 Manufacturing Resources International, Storefront Digital Signage webpage, Nov. 8, 2019, 2 pages.  
 Vertigo Digital Displays, Innovation on Display FlexVu Totem Brochure, 2014, 6 pages.  
 Vertigo Digital Displays, FlexVu Totem Shelter, 2017, 2 pages.  
 Vertigo Digital Displays, All Products Catalogue, 2017, 14 pages.  
 Civiq Smartscapes, FlexVue Ferro 55P/55L, Mar. 16, 2017, 4 pages.  
 Gable, Blog Post: The Anatomy of an Interactive Kiosk, Aug. 15, 2018, 4 pages.

\* cited by examiner

*Primary Examiner* — Derrick E Holland  
 (74) *Attorney, Agent, or Firm* — Standley Law Group LLP; Jeffrey S. Standley; Adam J. Smith

(57) CLAIM

The ornamental design for a solar powered electronic display kiosk, as shown and described.

DESCRIPTION

FIG. 1 is a front perspective view of a solar powered electronic display kiosk;  
 FIG. 2 is a front elevation view thereof;  
 FIG. 3 is a rear elevation view thereof;  
 FIG. 4 is a right side elevation view thereof;  
 FIG. 5 is a left side elevation view thereof;  
 FIG. 6 is a top view thereof; and,  
 FIG. 7 is a bottom view thereof.  
 The broken lines shown represent environmental subject matter and form no part of the claimed design.

1 Claim, 5 Drawing Sheets



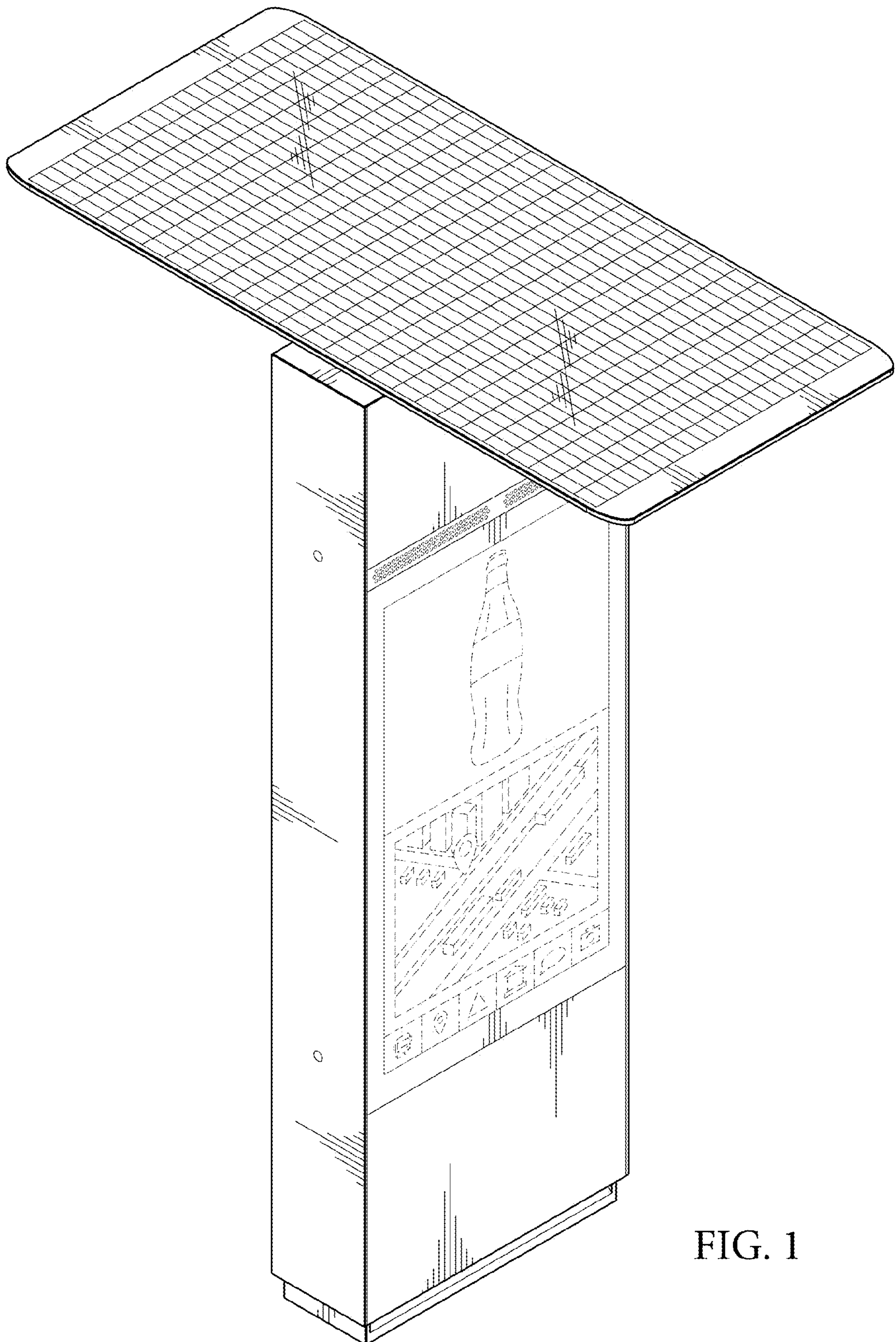


FIG. 1

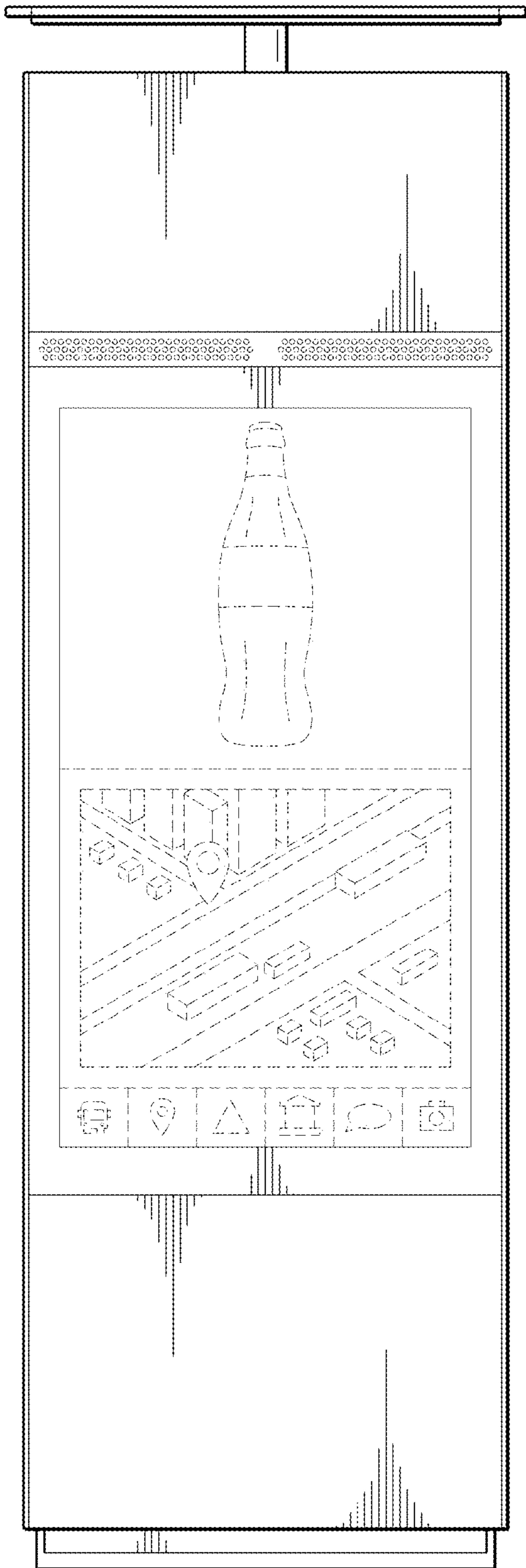


FIG. 2

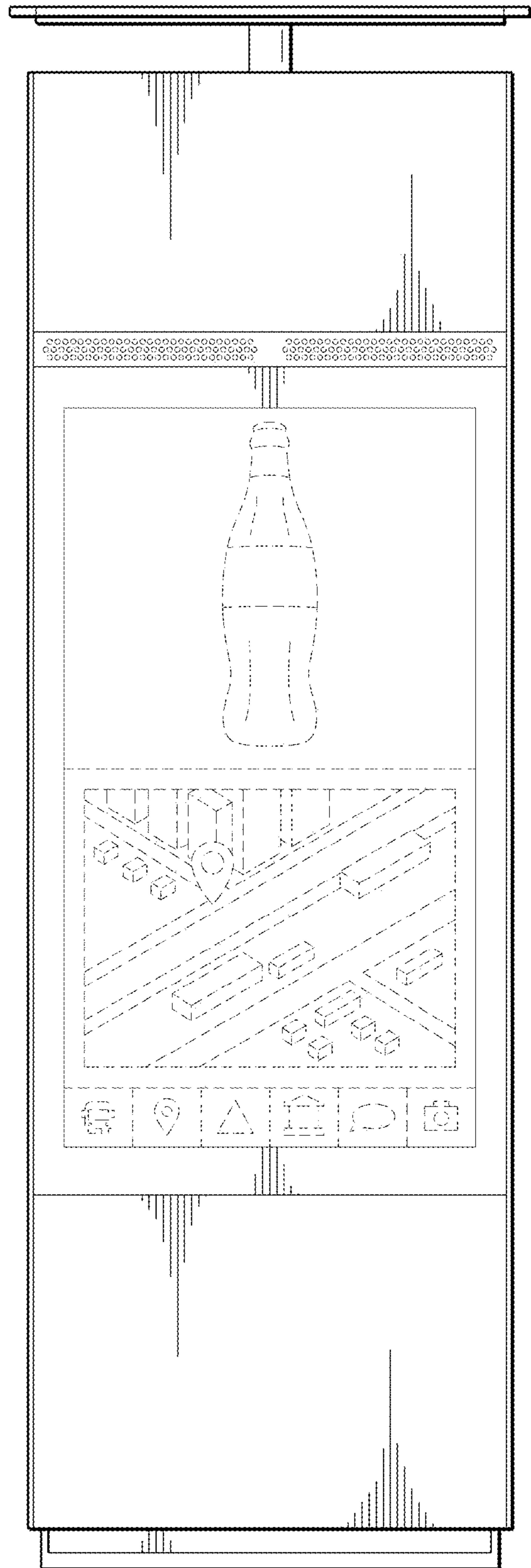


FIG. 3

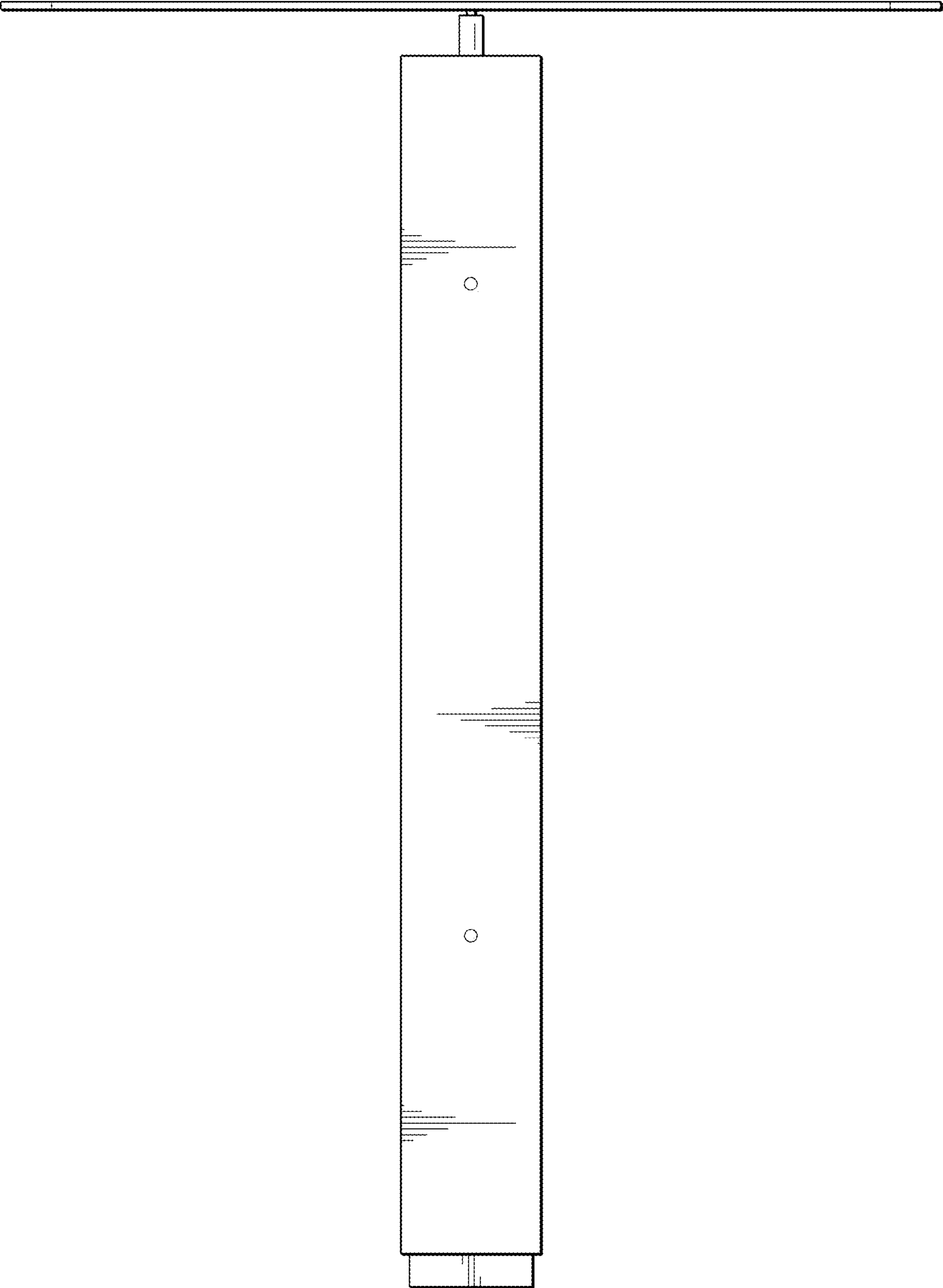


FIG. 4

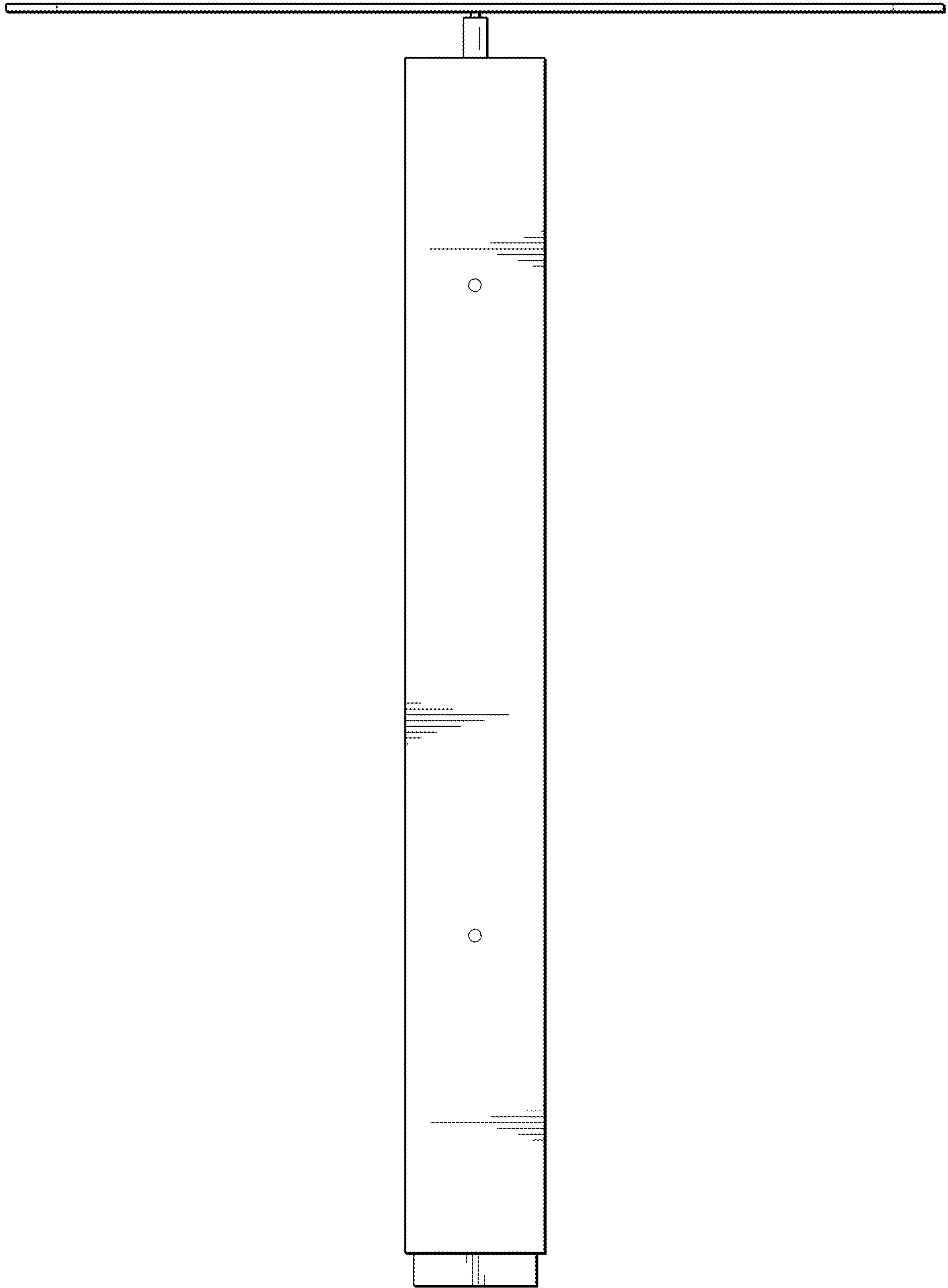


FIG. 5



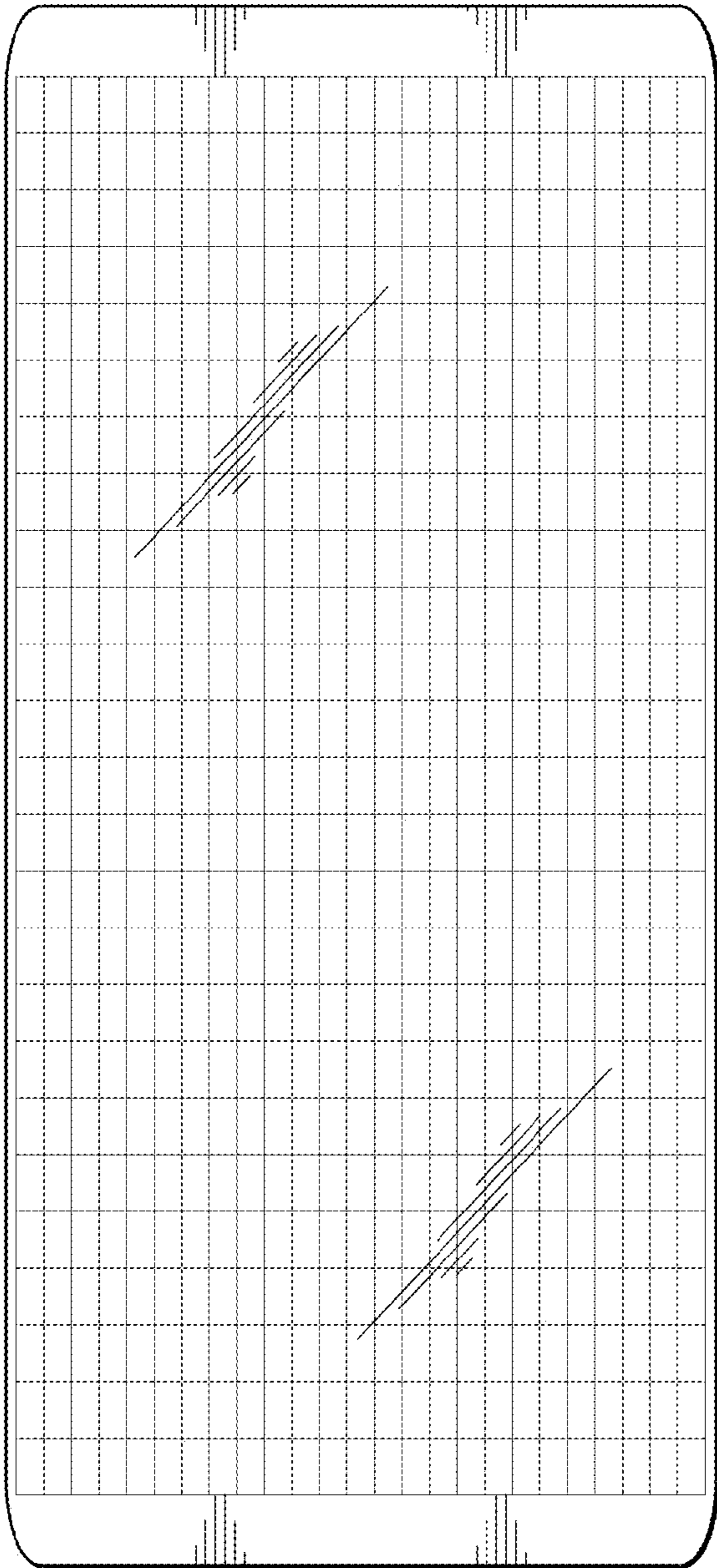


FIG. 6

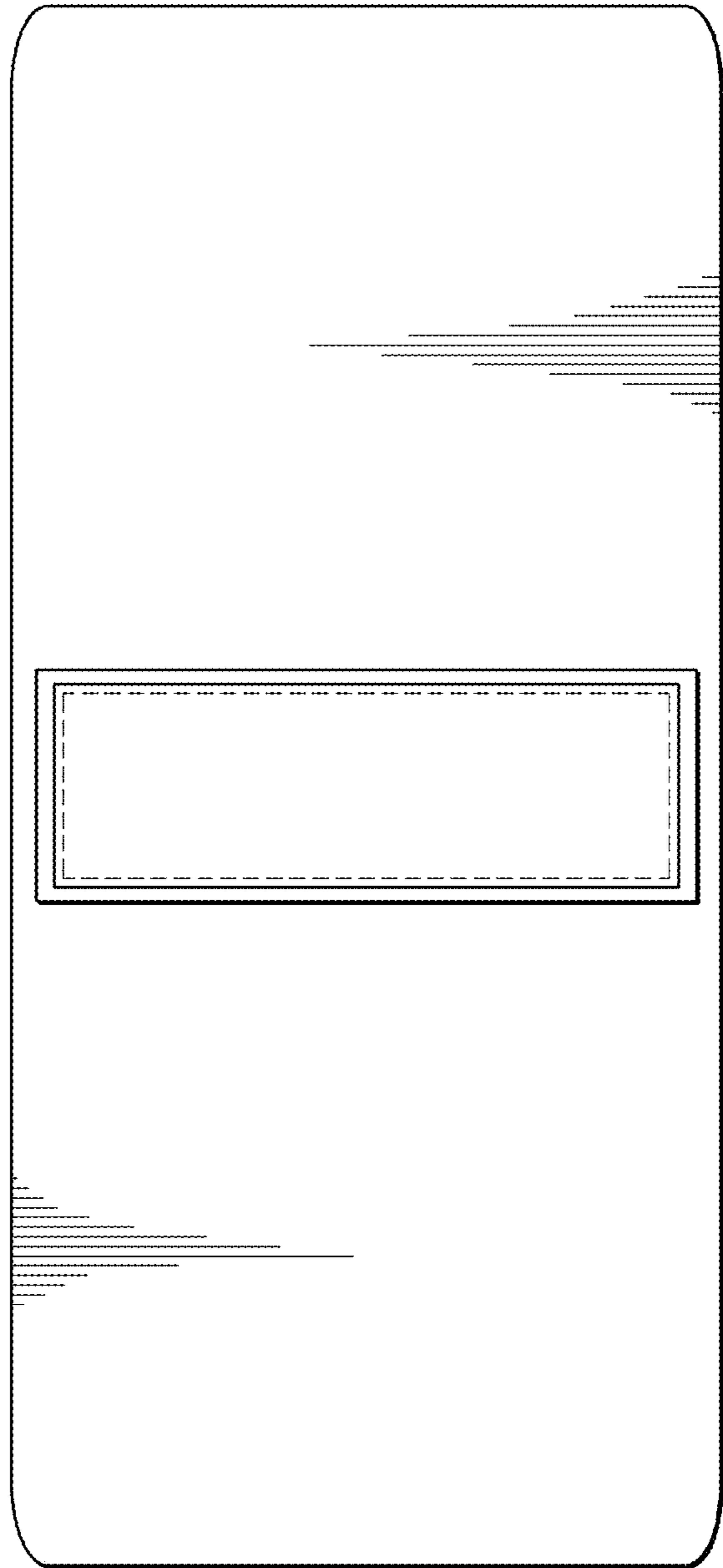


FIG. 7