

US00D969065S

(12) **United States Design Patent**  
**Wen**

(10) **Patent No.:** **US D969,065 S**

(45) **Date of Patent:** **\*\* Nov. 8, 2022**

(54) **SOLAR UNIVERSAL BRACKET**

(71) Applicant: **Shenzhen Lianli Solar Energy Co., Ltd.**, Shenzhen (CN)

(72) Inventor: **Liyou Wen**, Wuhua (CN)

(\*\*) Term: **15 Years**

(21) Appl. No.: **29/769,228**

(22) Filed: **Feb. 4, 2021**

(51) **LOC (13) Cl.** ..... **13-02**

(52) **U.S. Cl.**  
USPC ..... **D13/102**; D8/349

(58) **Field of Classification Search**  
USPC ..... D8/349, 354, 355, 380; D13/101, 102, D13/107, 110, 118, 133, 184, 199  
CPC ..... H01L 31/02; H01L 31/18; H01L 31/042; H01L 31/048; H01L 31/0525; H01L 31/0203; H01L 31/02008; H01L 31/0504; H01L 31/02013; H01L 27/142; H01L 27/1421; Y02E 10/40; Y02E 10/47; Y02E 10/50; Y02E 10/52; Y02E 10/54; Y02E 10/544; H02S 30/10; H02S 40/34; H02S 40/44; H02J 7/0042

See application file for complete search history.

(56) **References Cited**

**U.S. PATENT DOCUMENTS**

- 3,545,148 A \* 12/1970 Mandino ..... H01Q 1/1207  
248/220.21
- D306,396 S \* 3/1990 Brushaber ..... D8/355
- D363,936 S \* 11/1995 Nysether ..... D14/238
- D401,495 S \* 11/1998 Fischer ..... D8/349
- D410,373 S \* 6/1999 Whitaker ..... D8/349
- D433,616 S \* 11/2000 Fischer ..... D8/355

- D464,250 S \* 10/2002 Warner ..... D8/355
- D492,577 S \* 7/2004 Shindo ..... D8/354
- D499,954 S \* 12/2004 Brushaber ..... D8/355
- D823,786 S \* 7/2018 Stephan ..... D13/102
- D843,932 S \* 3/2019 Sinai ..... D13/102
- D864,189 S \* 10/2019 Richter ..... D12/415
- D864,854 S \* 10/2019 Sinai ..... D13/102
- D864,855 S \* 10/2019 Sinai ..... D13/102
- 2018/0191290 A1 \* 7/2018 Guthrie ..... H02S 30/00
- 2020/0313608 A1 \* 10/2020 Stephan ..... H02S 20/23

\* cited by examiner

*Primary Examiner* — Mark A Goodwin

(57) **CLAIM**

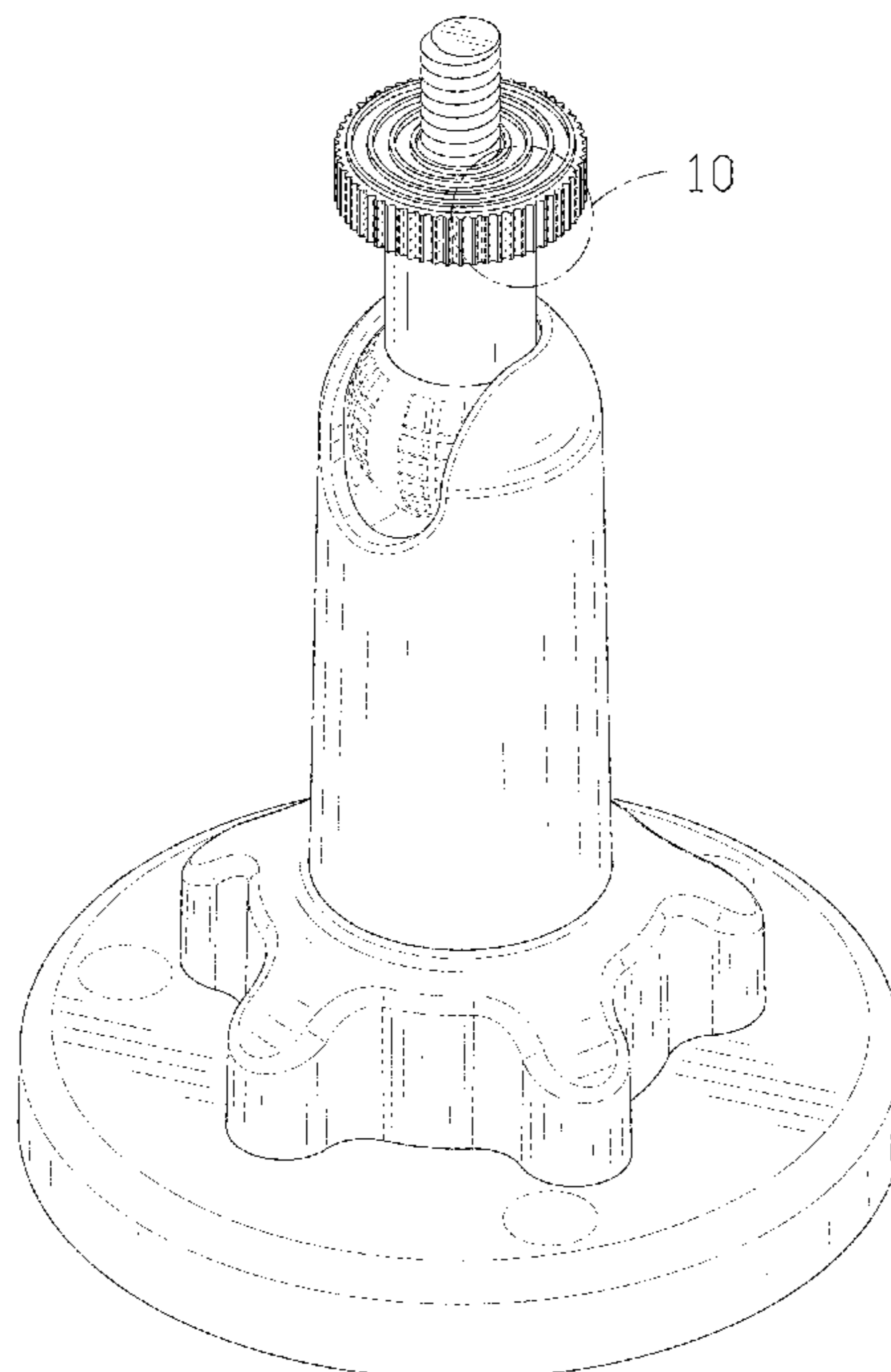
The ornamental design for a solar universal bracket, as shown and described.

**DESCRIPTION**

FIG. 1 is a first perspective view of a solar universal bracket showing my new design;  
 FIG. 2 is a second perspective view thereof;  
 FIG. 3 is a front view thereof;  
 FIG. 4 is a back view thereof;  
 FIG. 5 is a left side view thereof;  
 FIG. 6 is a right side view thereof;  
 FIG. 7 is a top view thereof;  
 FIG. 8 is a bottom view thereof;  
 FIG. 9 is a perspective view of another state of the solar universal bracket thereof; and,  
 FIG. 10 is an enlarged view of the selected portion in FIG. 1.

The broken lines shown in the drawings depict portions of the solar universal bracket in which the design is embodied that form no part of the claimed design.

**1 Claim, 10 Drawing Sheets**



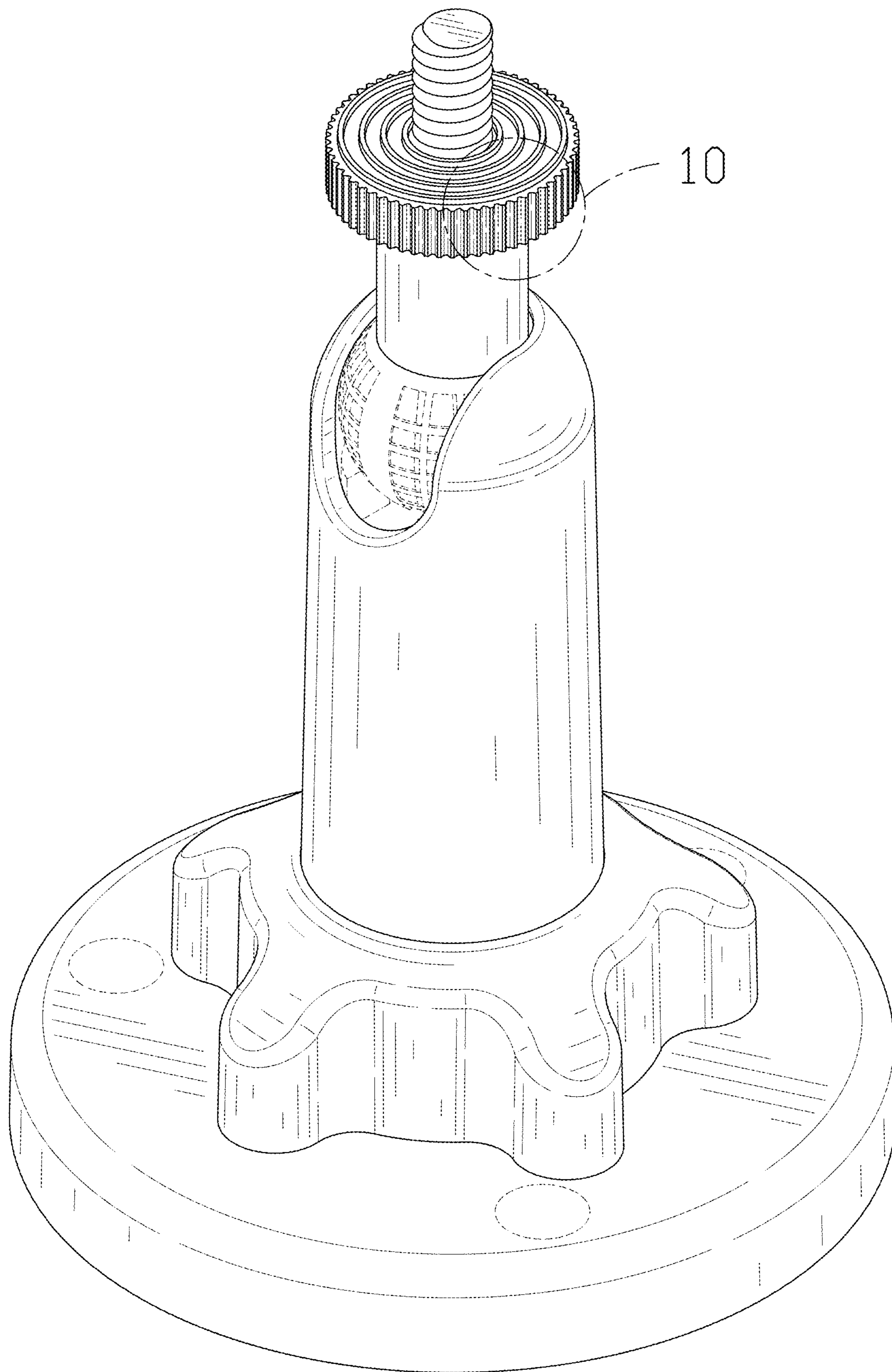


FIG. 1

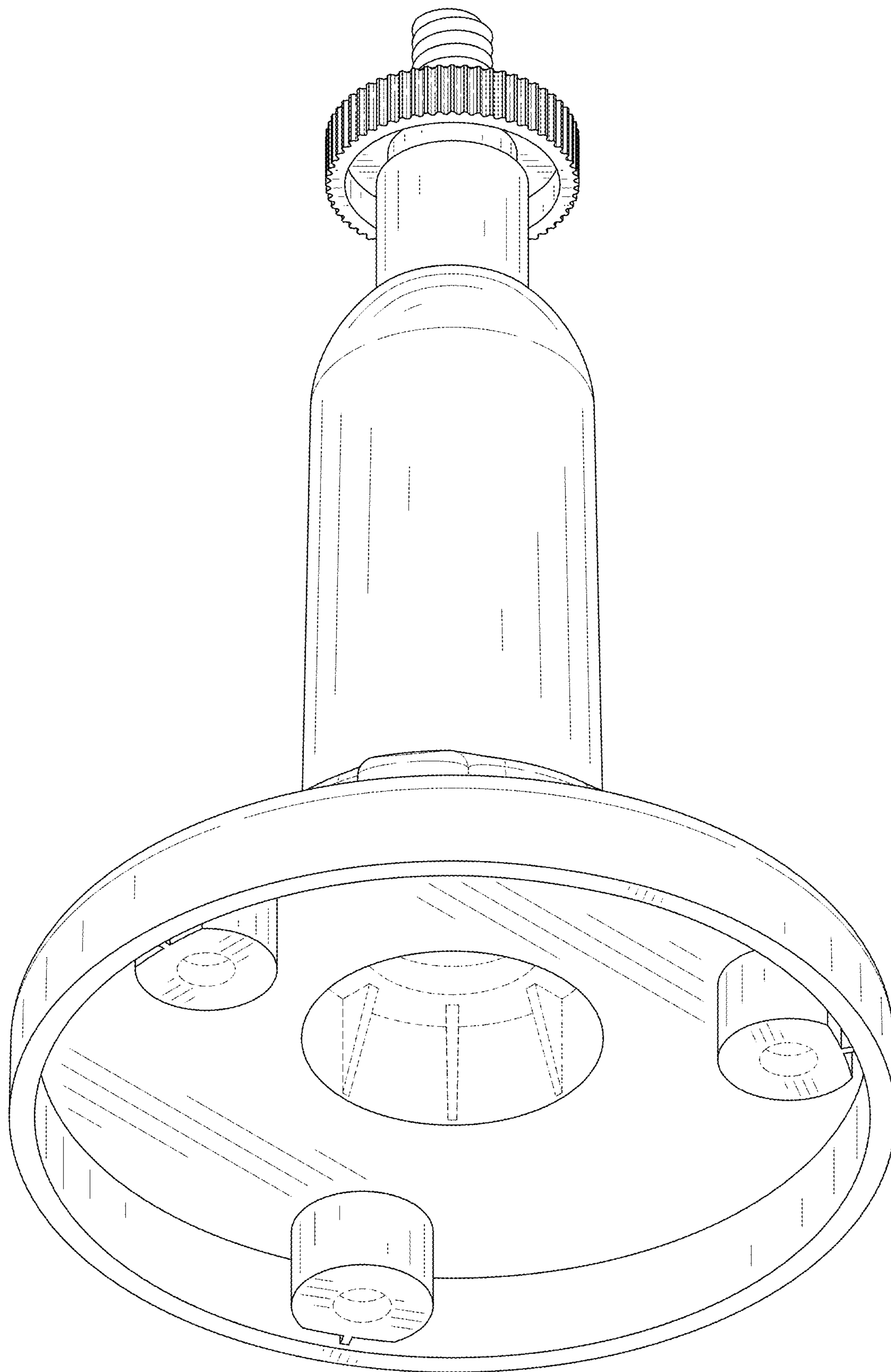


FIG. 2

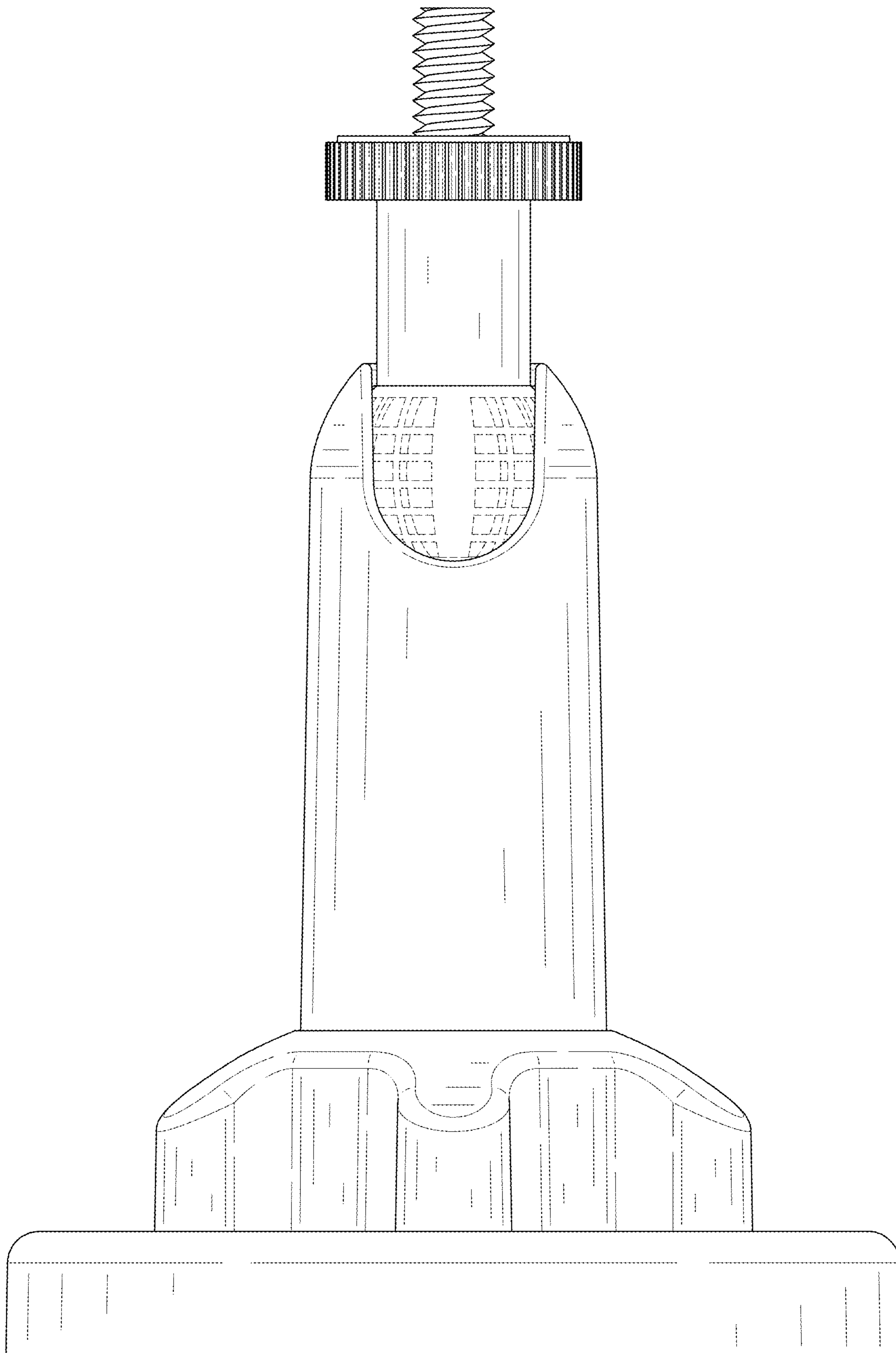


FIG. 3





FIG. 4

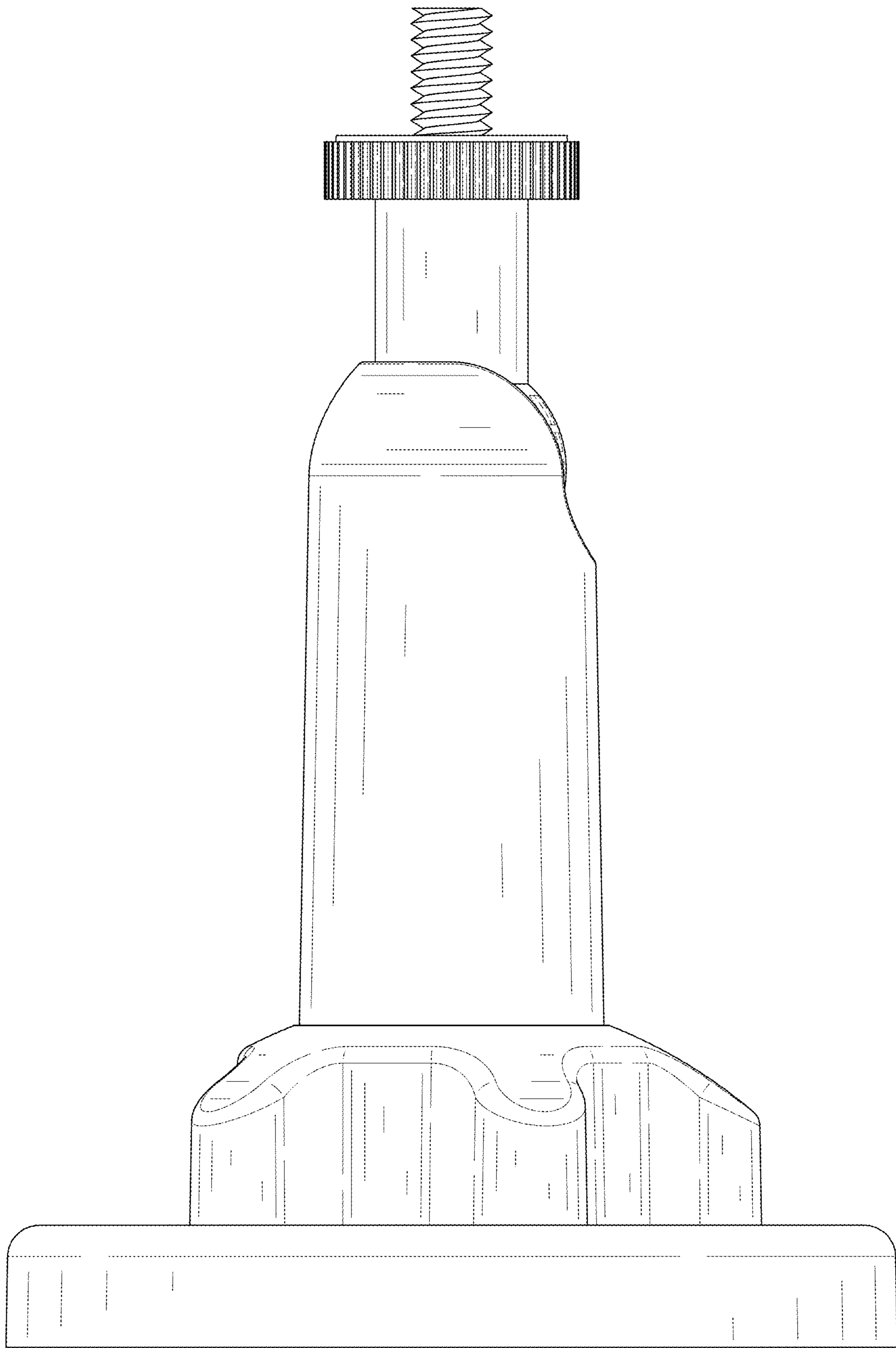


FIG. 5

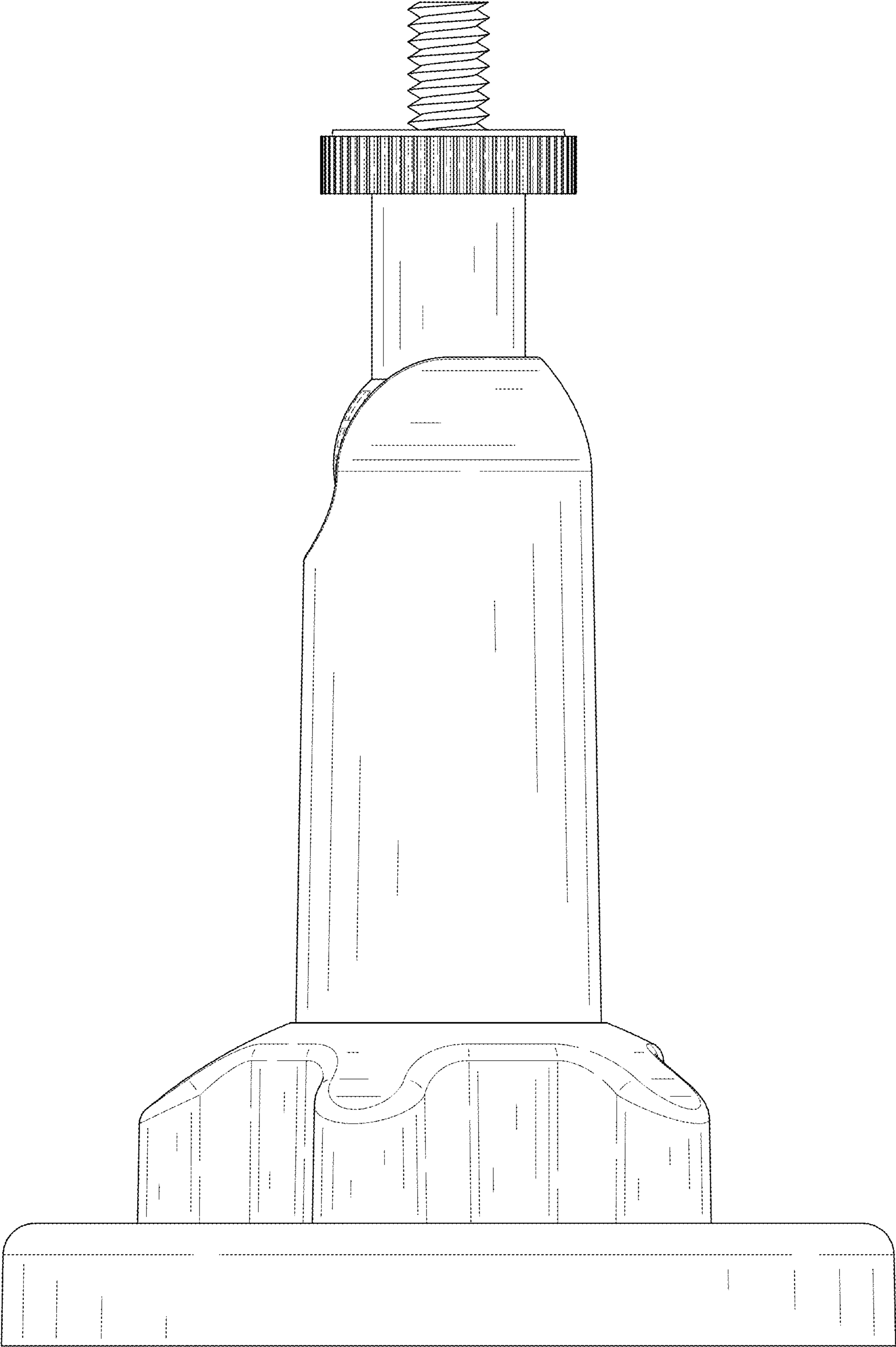


FIG. 6

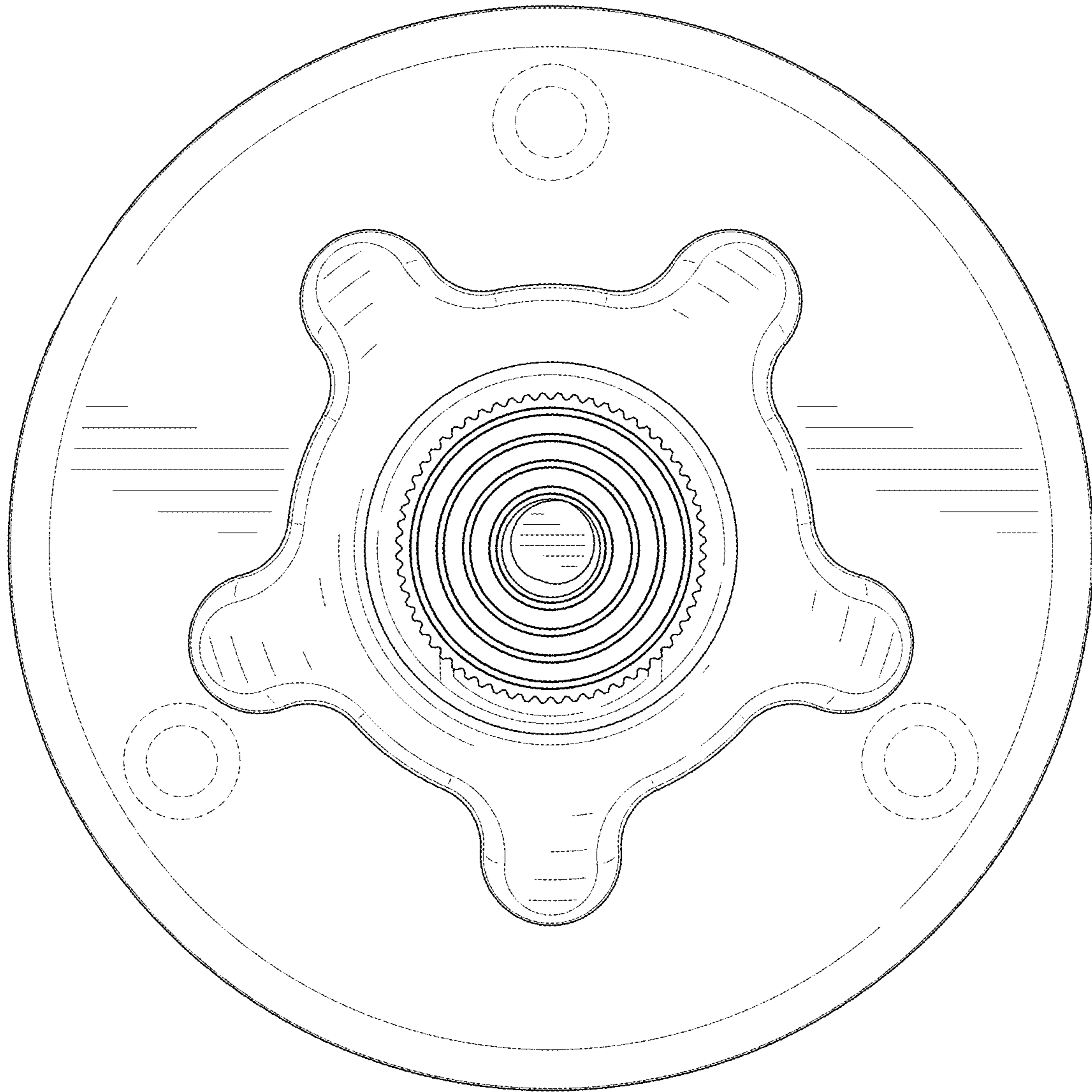


FIG. 7



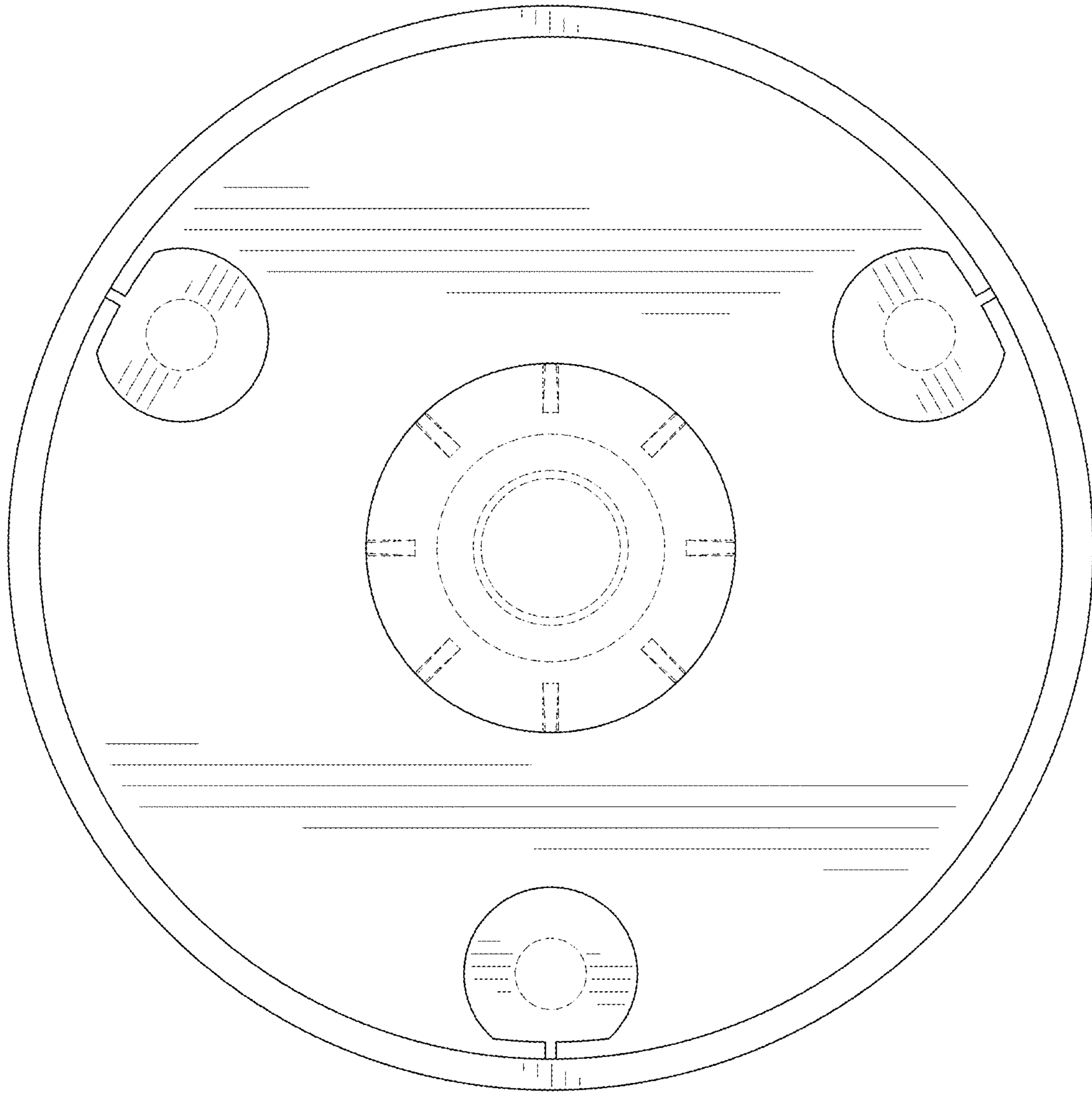


FIG. 8

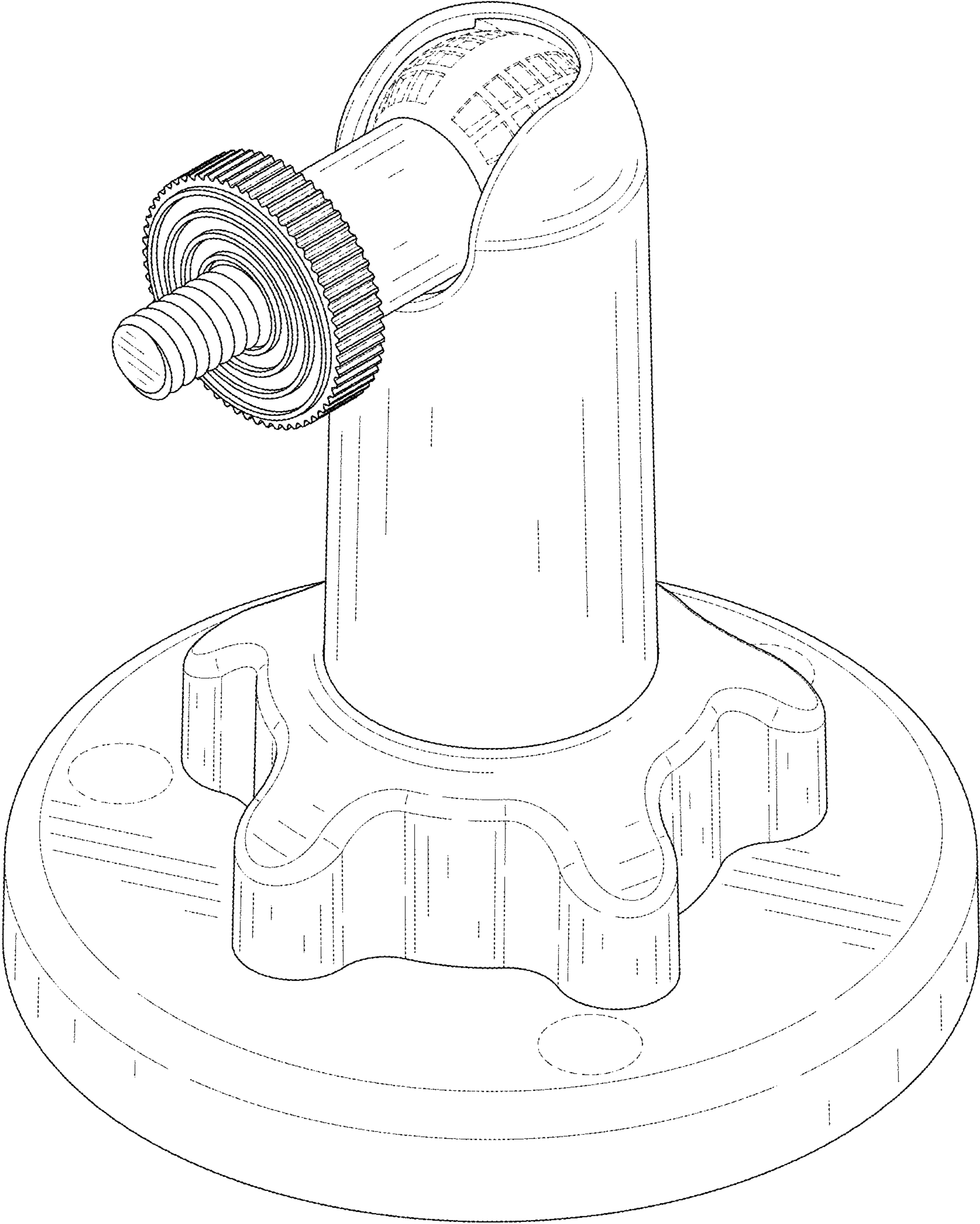


FIG. 9

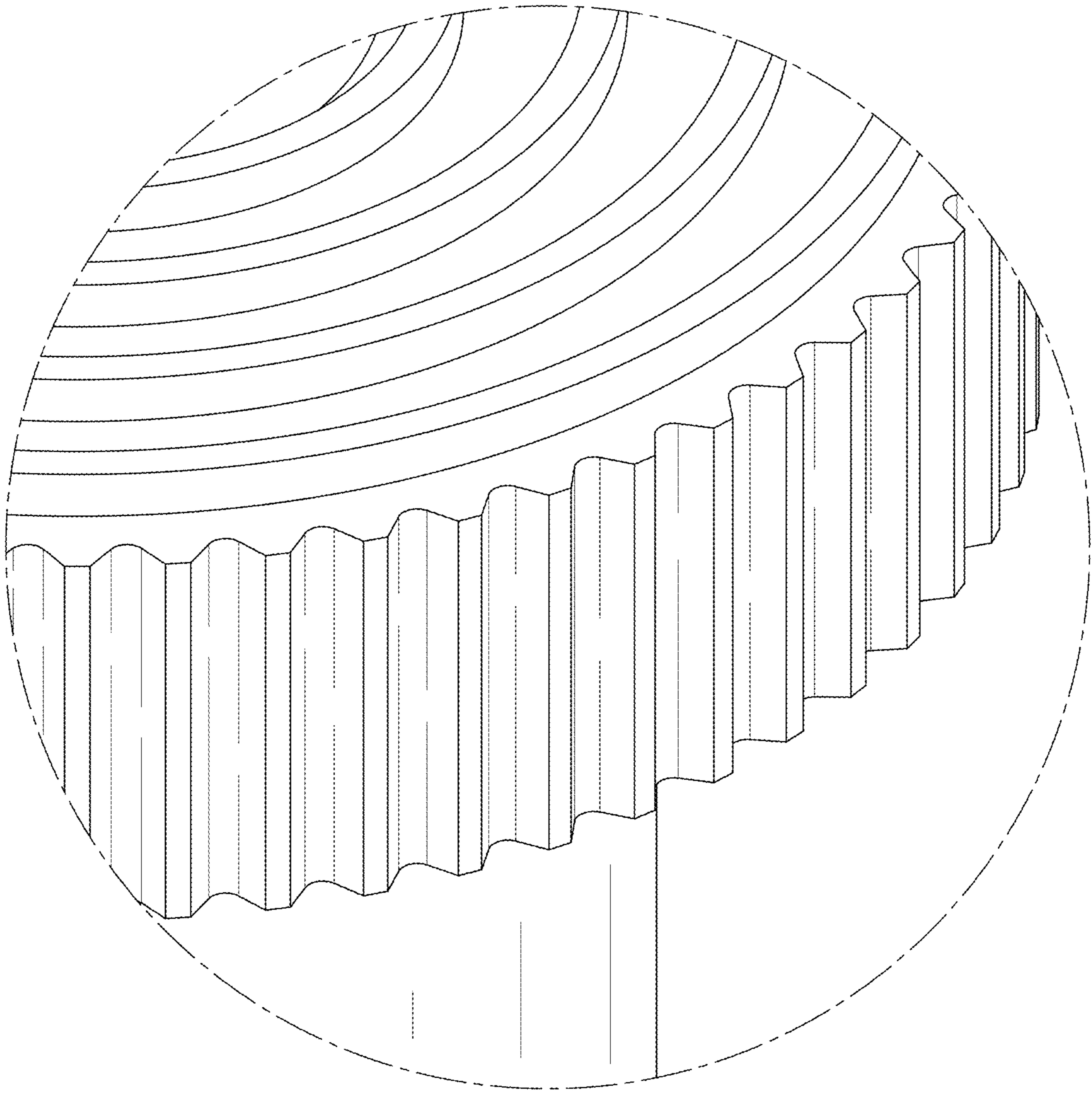


FIG. 10