



US00D969064S

(12) **United States Design Patent**
Pingenat et al.

(10) **Patent No.:** **US D969,064 S**
(45) **Date of Patent:** **** Nov. 8, 2022**

(54) **TIRE**

(71) Applicant: **The Goodyear Tire & Rubber Company**, Akron, OH (US)
(72) Inventors: **Matthieu Pingenat**, Hayange (FR); **Anne-France Gabrielle Jeanne-Marie Cambron**, Mersch (LU); **Ettore Passante Spaccapietra**, Ettelbruck (LU); **Pierre Vincent Veronique Ghislain Philipin**, Habay-la-Vieille (BE)
(73) Assignee: **The Goodyear Tire & Rubber Company**, Akron, OH (US)

(**) Term: **15 Years**

(21) Appl. No.: **29/748,979**

(22) Filed: **Sep. 2, 2020**

(51) **LOC (13) Cl.** **12-15**

(52) **U.S. Cl.**
USPC **D12/595**

(58) **Field of Classification Search**
USPC D12/568-605, 900
CPC Y10T 152/10027; B60C 1/0016; B60C 11/0306; B60C 11/0302; B60C 3/06; B60C 9/17
See application file for complete search history.

(56) **References Cited**

U.S. PATENT DOCUMENTS

D370,439 S	6/1996	Feider et al.	D12/141
D394,029 S	5/1998	Gillard et al.	D12/141
D394,034 S	5/1998	Feider et al.	D12/147
D402,932 S	12/1998	Gillard et al.	D12/142
D448,707 S	10/2001	Maziarka et al.	D12/147
D473,513 S	4/2003	Welbes	D12/588
D473,843 S	4/2003	Le et al.	D12/600
D500,732 S	1/2005	Lo	D12/588

(Continued)

OTHER PUBLICATIONS

U.S. Appl. No. 29/707,771, filed Oct. 1, 2019, Benvenuti, et al.
U.S. Appl. No. 29/709,600, filed Oct. 16, 2019, Pingenat, et al.

Primary Examiner — John A Voytek

(74) *Attorney, Agent, or Firm* — Robert N. Liposik; June E. Rickey

(57) **CLAIM**

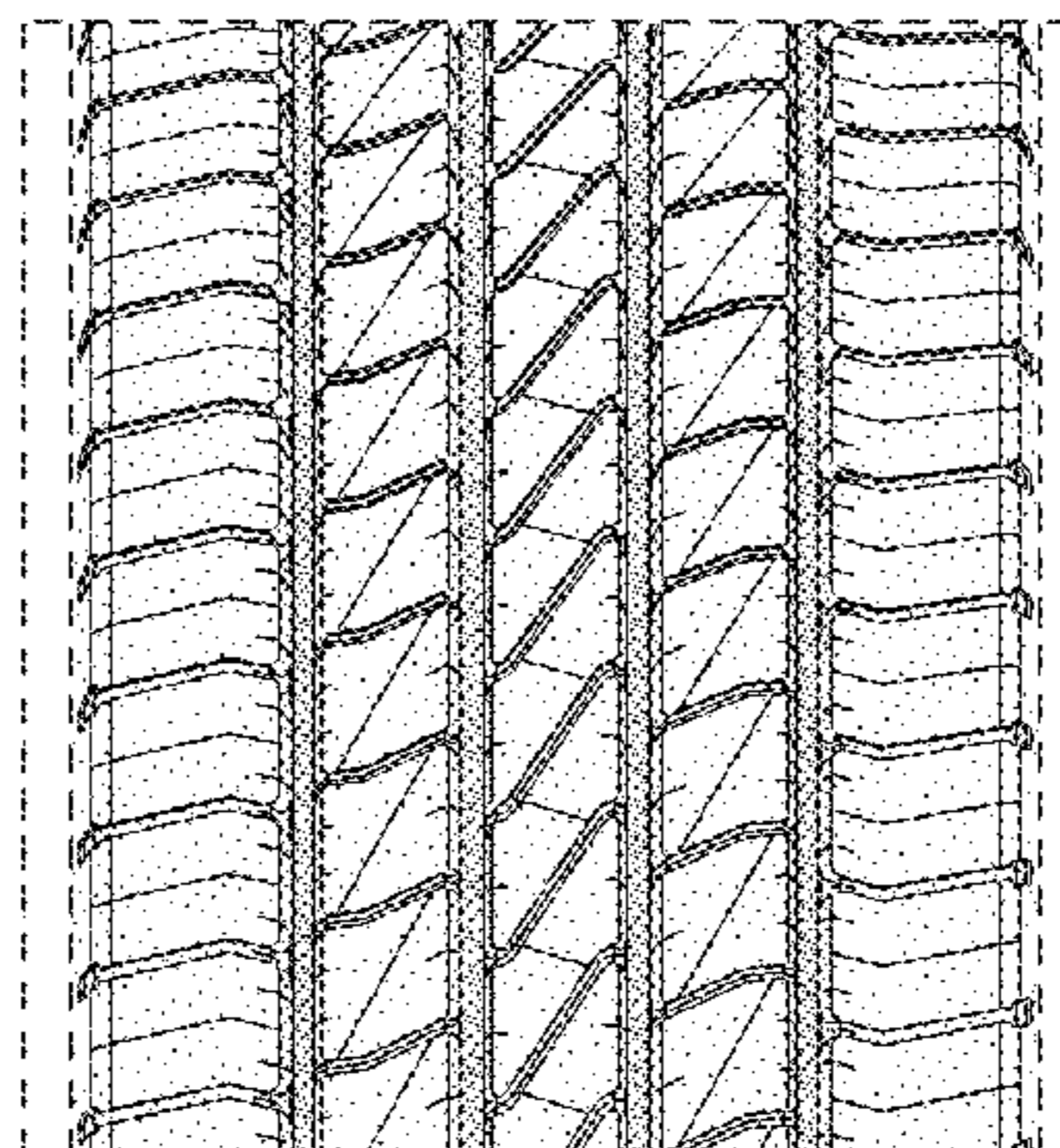
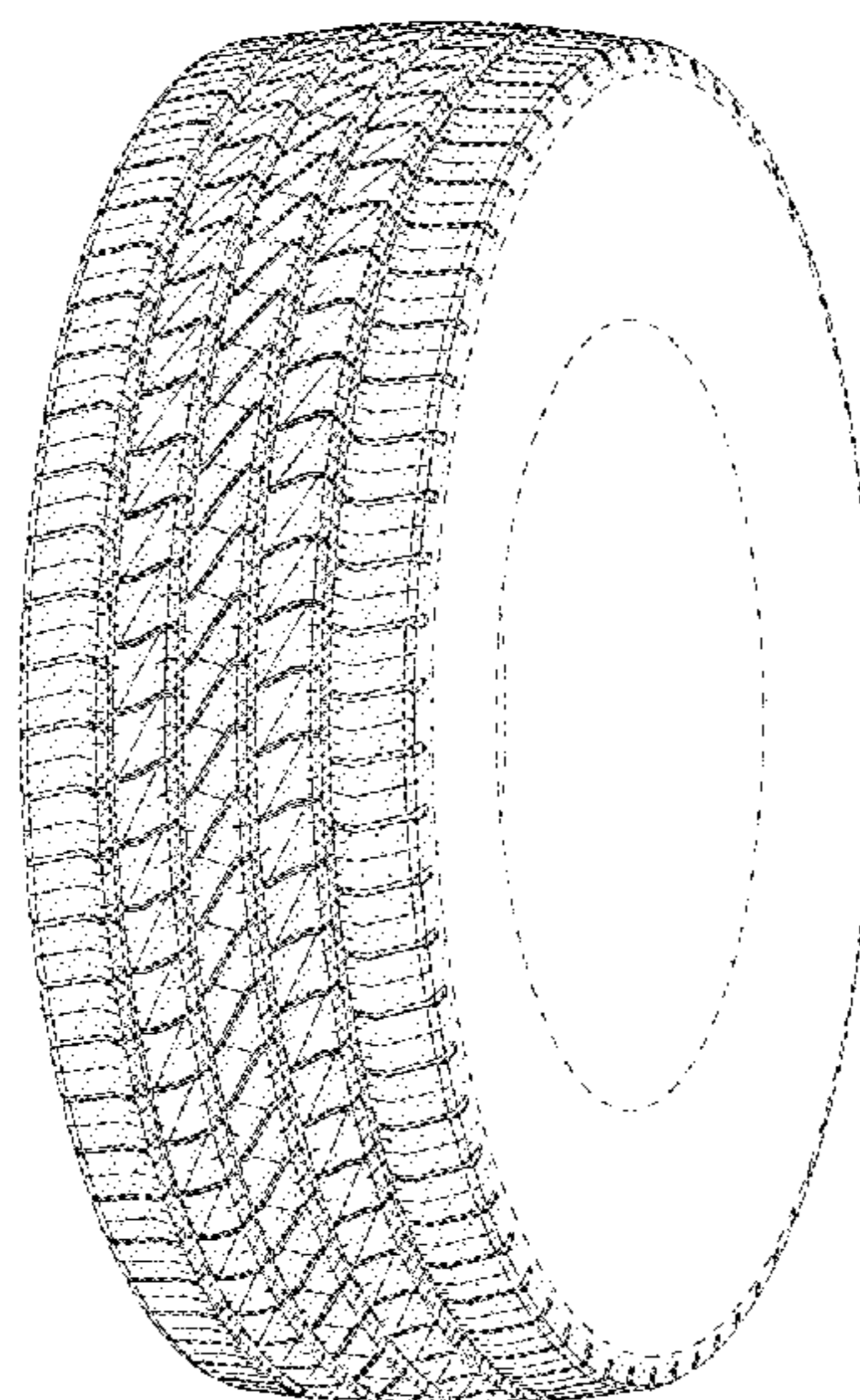
The ornamental Design for a tire, as shown and described.

DESCRIPTION

FIG. 1 is a perspective view of a tire showing our new design, it being understood that the pattern repeats uniformly throughout the circumference of the tread;
FIG. 2 is a front elevational view thereof;
FIG. 3 is a right side elevational view thereof; the left side elevational view being identical thereto;
FIG. 4 is an enlarged fragmentary front elevational view thereof taken along line 4-4 of FIG. 2;
FIG. 5 is a perspective view of a second embodiment of a tire showing our new design, it being understood that the interior of the tire forms no part of the claim, that the pattern repeats uniformly throughout the circumference of the tread and that the opposite side view is identical thereto; and,
FIG. 6 is a front elevational view of a second embodiment, it being understood that an enlarged fragmentary view thereof would be substantially identical to that shown in FIG. 4, with the exception of the inclusion of the sidewall in the claim.

In the drawings, the broken lines immediately adjacent to the outer edges of the tire shoulder represent boundaries of the claim, and the broken lines depict environmental subject matter only and form no part of the claimed design. The dashed broken lines indicating an enlargement portion of the design form no part of the claimed design.

1 Claim, 6 Drawing Sheets



(56)

References Cited

U.S. PATENT DOCUMENTS

D527,339 S	8/2006	Lassan et al.	D12/600	D741,791 S	10/2015	Severyn	D12/601
D534,484 S	1/2007	Feider et al.	D12/584	D742,814 S	11/2015	Fleckner et al.	D12/601
D541,737 S	5/2007	Cazin-Bourguignon et al.	D12/600	D747,261 S	1/2016	Barrett et al.	D12/590
D554,053 S	10/2007	Feider et al.	D12/588	D757,642 S	5/2016	Kwak	D12/601
D554,576 S	11/2007	Suzuki	D12/588	D770,371 S	11/2016	Mathonet et al.	D12/601
D555,081 S	11/2007	Feider et al.	D12/588	D786,785 S	5/2017	Mathonet et al.	D12/595
D588,984 S	3/2009	Lee	D12/588	D789,277 S	6/2017	Dixon et al.	D12/518
D599,282 S	9/2009	Nicolas	D12/588	D822,586 S	7/2018	Becker et al.	D12/588
D609,169 S	2/2010	Feider	D12/588	D837,137 S	1/2019	Becker et al.	D12/601
D642,975 S	8/2011	Givens et al.	D12/601	D849,676 S	5/2019	Becker et al.	D12/594
D644,599 S	9/2011	Nicolas et al.	D12/601	D851,025 S	6/2019	Wang et al.	D12/601
D647,040 S	10/2011	Mathonet et al.	D12/588	D853,946 S	7/2019	Becker et al.	D12/588
D669,421 S	10/2012	Stuckey et al.	D12/588	D853,949 S *	7/2019	Zimmerman	D12/601
D674,740 S	1/2013	Mathonet et al.	D12/588	D879,023 S	3/2020	Takano	D12/594
D702,180 S	4/2014	Le et al.	D12/588	D886,724 S *	6/2020	Fox	D12/595
D728,462 S	5/2015	Mathonet et al.	D12/588	D886,727 S	6/2020	Bortolet et al.	D12/603
D734,246 S	7/2015	Parr et al.	D12/601	D892,034 S *	8/2020	Wang	D12/595
D737,756 S	9/2015	Mathonet et al.	D12/601	D892,720 S *	8/2020	Wang	D12/601
D738,814 S *	9/2015	Otani	D12/595	D935,383 S *	11/2021	Sadananda	D12/584
				D935,987 S *	11/2021	Benvenuti	D12/600
				D935,988 S *	11/2021	Pingenat	D12/600
				D940,061 S *	1/2022	Davis	D12/601

* cited by examiner

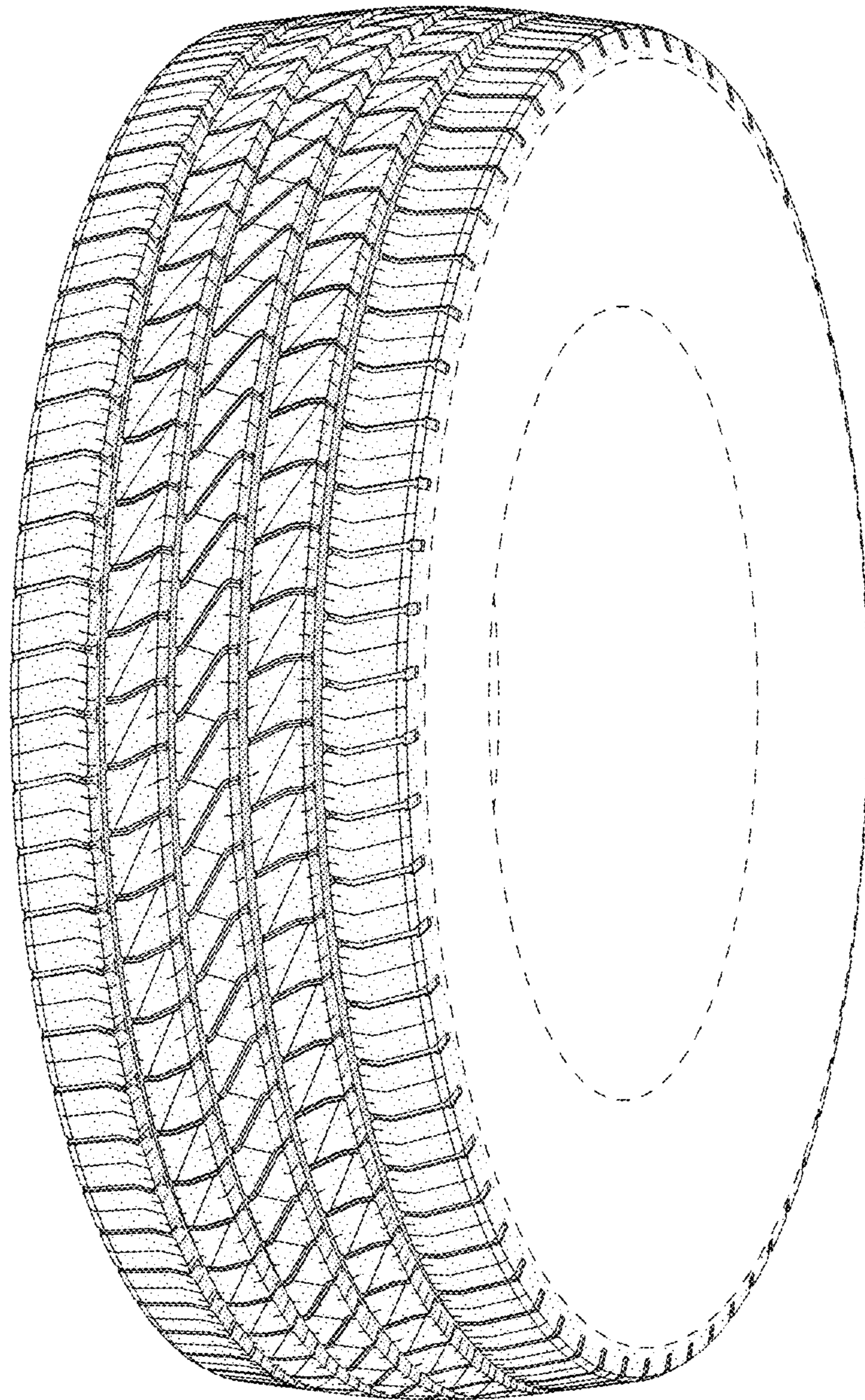


FIG - 1

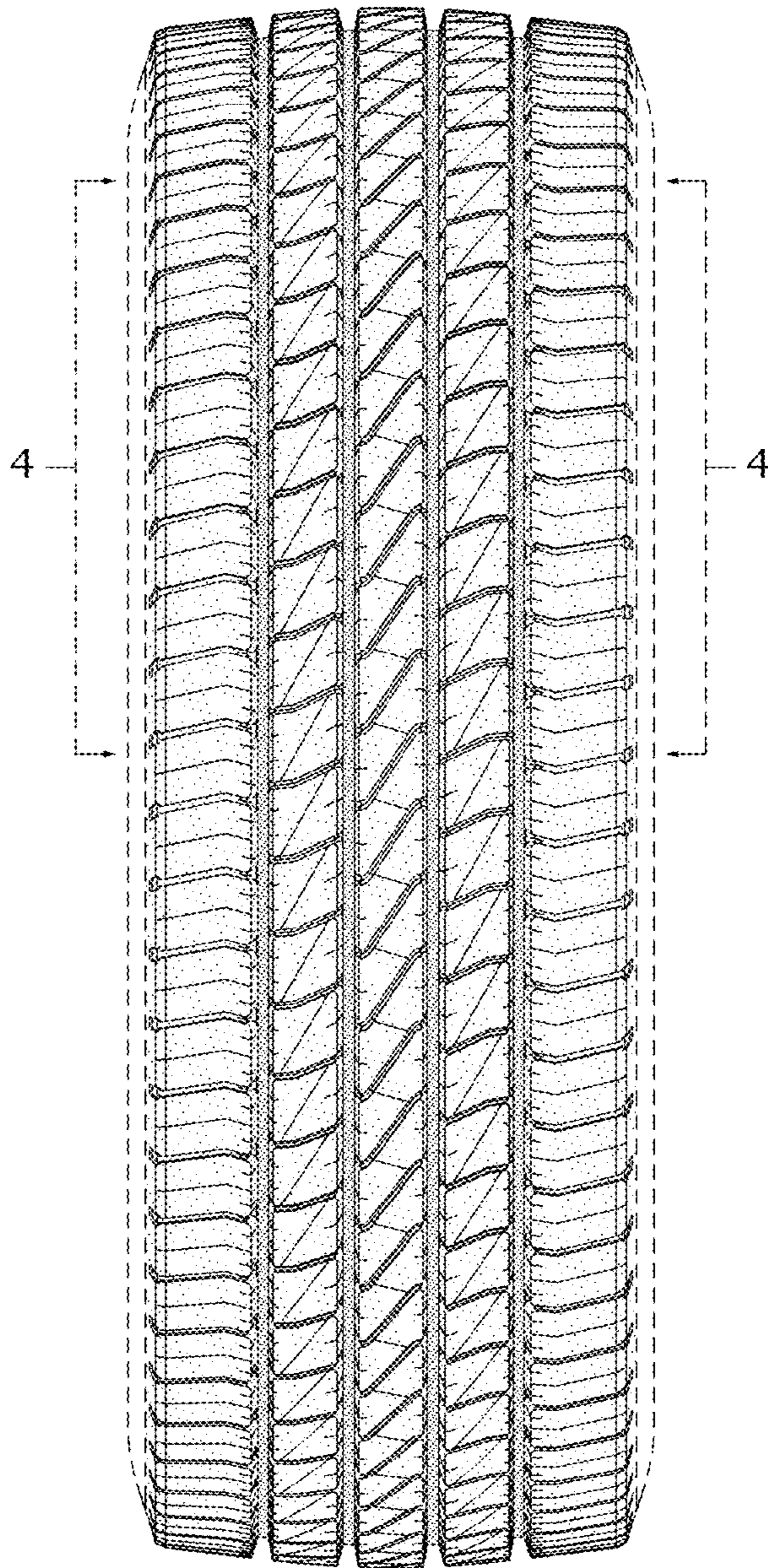


FIG - 2

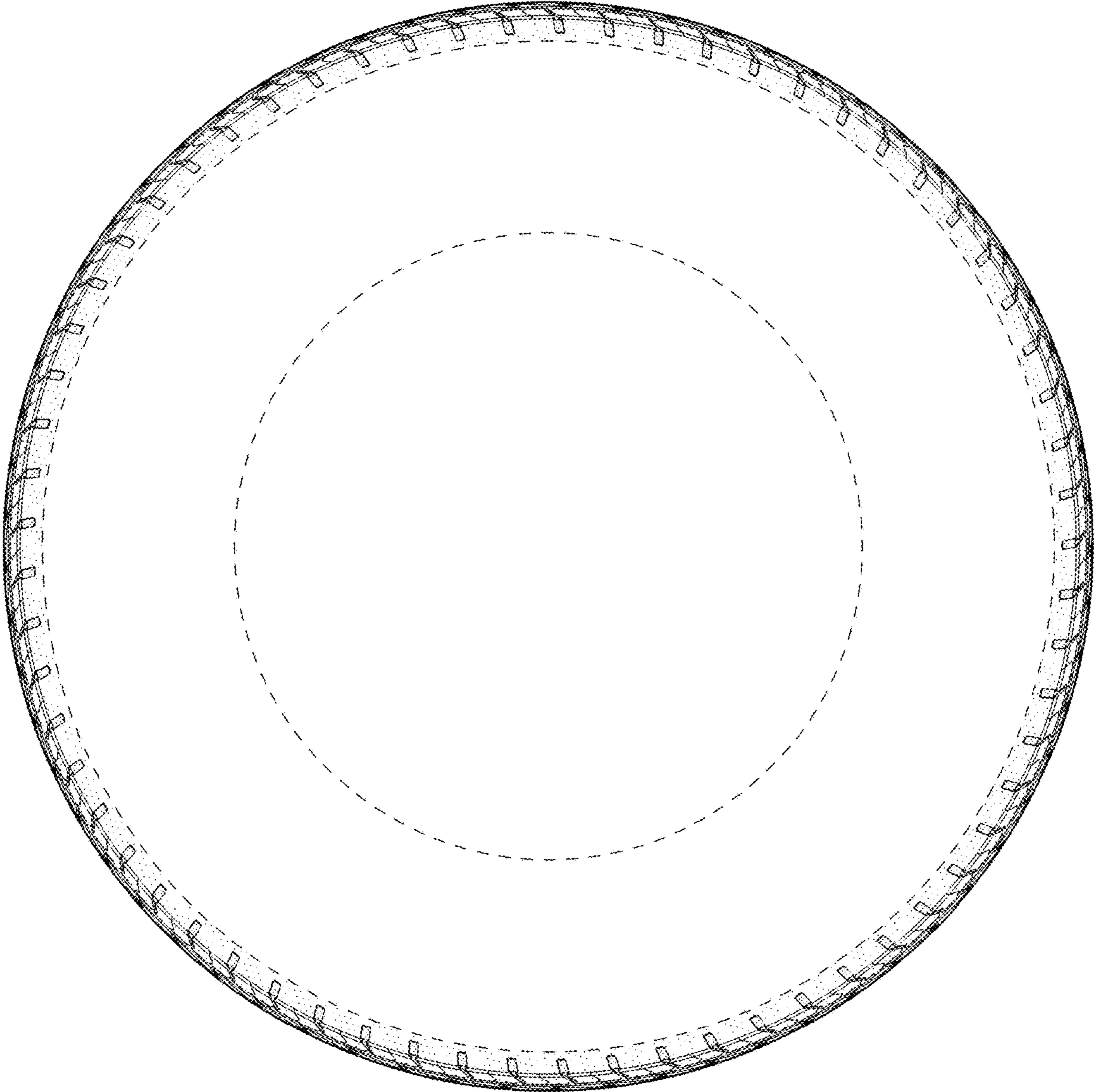


FIG - 3

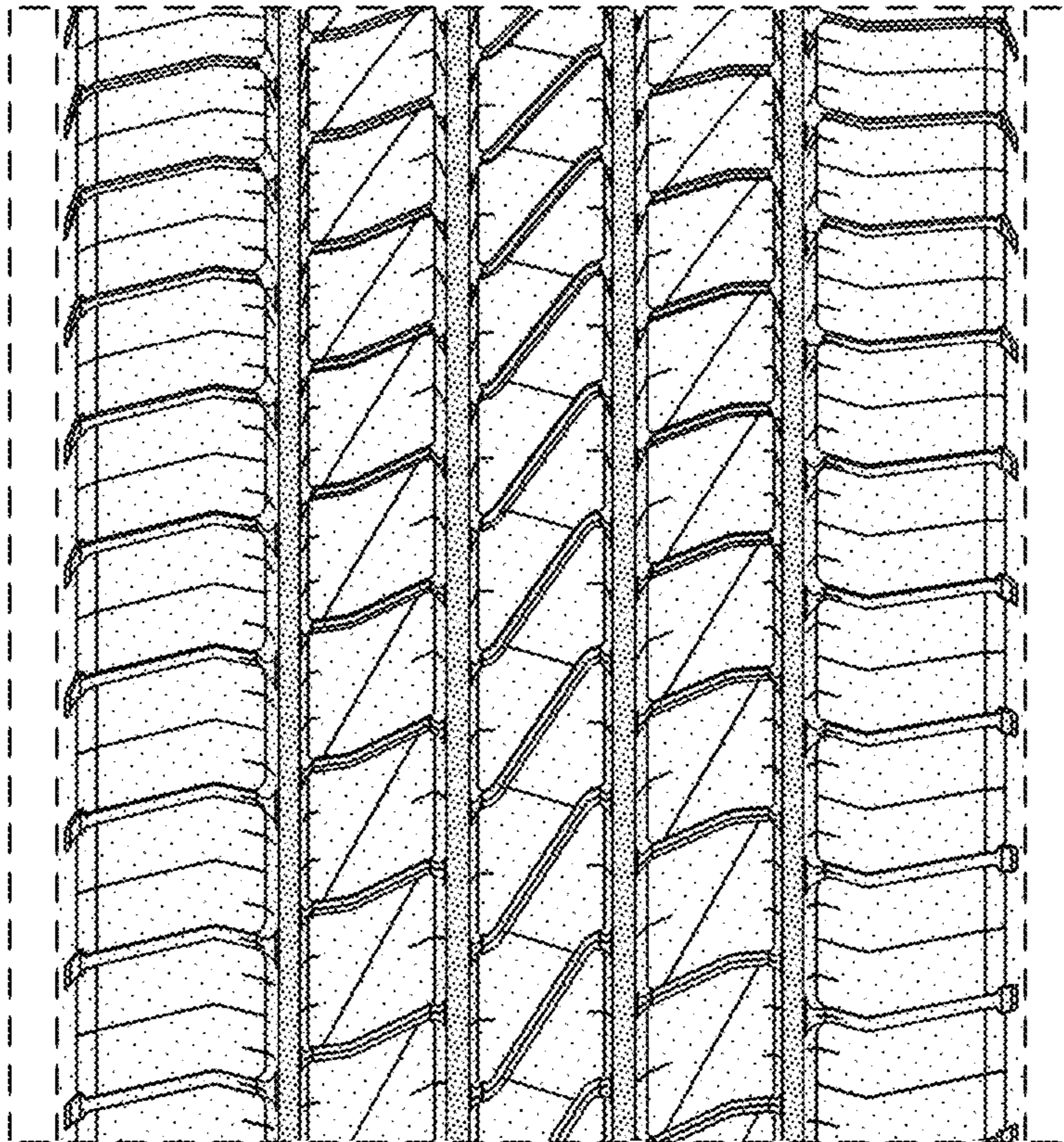


FIG - 4

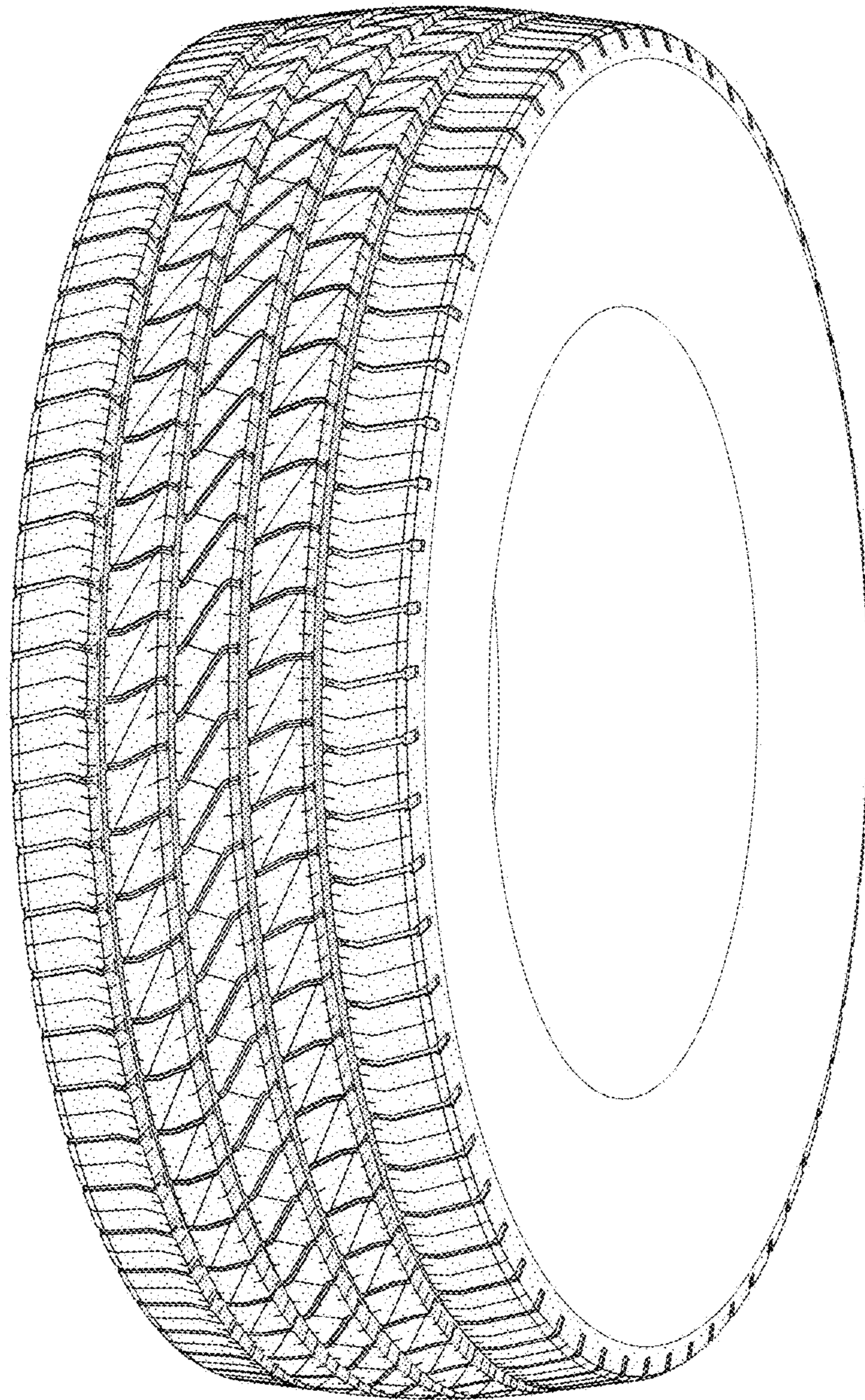


FIG - 5

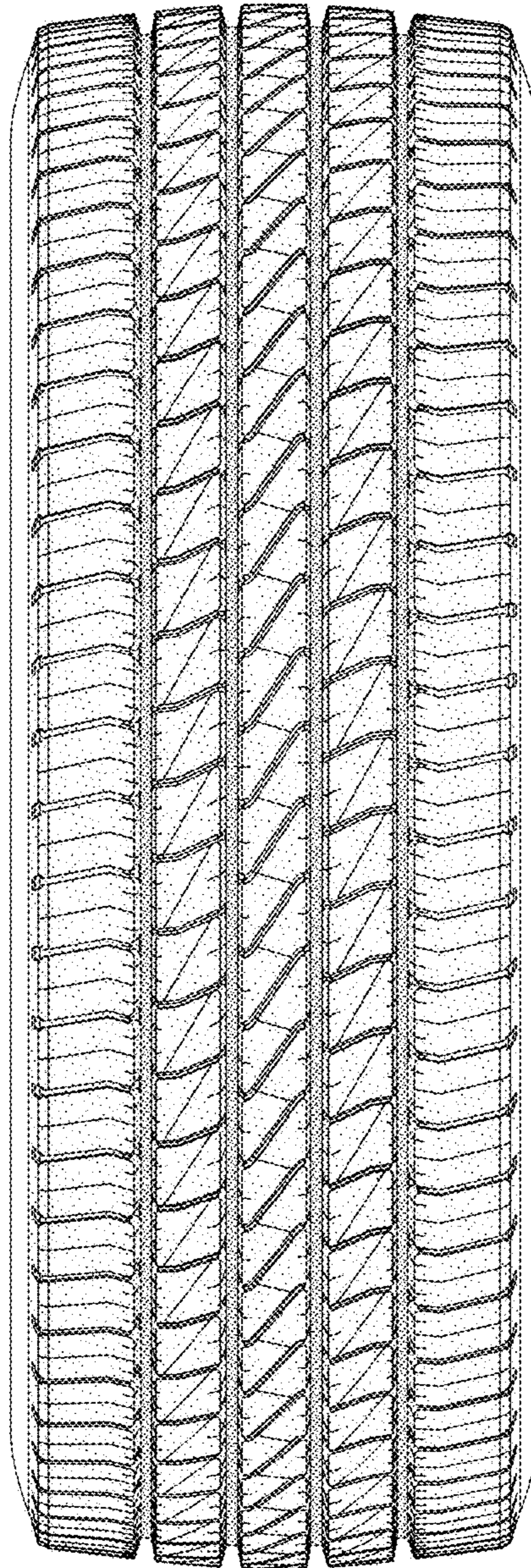


FIG - 6