

US00D969062S

(12) **United States Design Patent**
Lit Chung

(10) **Patent No.:** **US D969,062 S**

(45) **Date of Patent:** **** *Nov. 8, 2022**

(54) **VEHICLE TRUNK ORGANIZER**

(56) **References Cited**

(71) Applicant: **LeClassiqueShop Corporation,**
Calgary (CA)

U.S. PATENT DOCUMENTS

(72) Inventor: **Vivian Lit Chung,** Calgary (CA)

D383,112 S	*	9/1997	Patterson	D12/415
D821,959 S	*	7/2018	Baker	D12/425
D867,971 S	*	11/2019	Baker	D12/425
D899,347 S	*	10/2020	Baker	D12/426

(*) Notice: This patent is subject to a terminal disclaimer.

* cited by examiner

(**) Term: **15 Years**

Primary Examiner — Abraham Bahta

(74) *Attorney, Agent, or Firm* — Cabilly & Co.

(21) Appl. No.: **29/700,540**

(57) **CLAIM**

The ornamental design for a vehicle trunk organizer, as shown and described.

(22) Filed: **Aug. 2, 2019**

(51) **LOC (13) Cl.** **12-16**

DESCRIPTION

(52) **U.S. Cl.**

USPC **D12/425**

(58) **Field of Classification Search**

USPC D12/415-419, 191, 106, 96, 400, 195,
D12/345, 99; 296/37.1, 37.8, 70, 24.3,
296/97.1, 97.2, 97.4, 97.5, 97.6, 97.7,
296/97.8, 180; 312/246; 224/311, 539,
224/281, 275; D8/354; D14/451-452;
248/278.1, 274.1, 284.1; D3/319;
160/370.21, 370.23, 370.22

CPC B60R 5/00; B60R 5/04; B60R 7/00; B60R
7/02; B60R 9/00; B60R 9/055; B60R
9/065; B60R 2011/0003; A47G 29/00;
A47B 88/00; A47B 88/04

See application file for complete search history.

FIG. 1 is a top perspective view of a vehicle trunk organizer in an un-collapsed state showing my new design;

FIG. 2 is a top view thereof;

FIG. 3 is a left side view thereof;

FIG. 4 is a right side view thereof;

FIG. 5 is a bottom view thereof;

FIG. 6 is a front view of the vehicle trunk organizer in a collapsed state;

FIG. 7 is a rear view thereof;

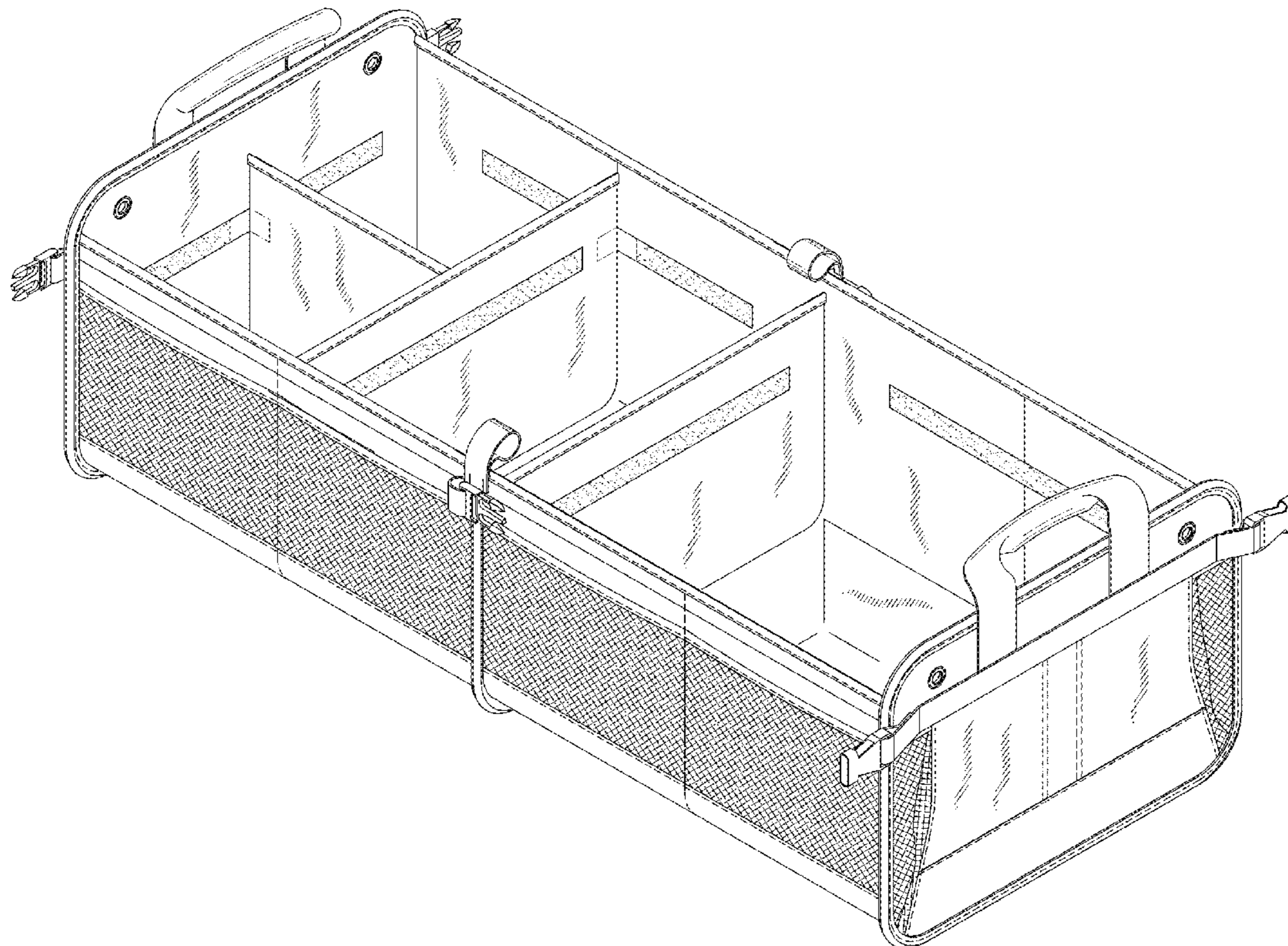
FIG. 8 is a top perspective view thereof;

FIG. 9 is a top view thereof;

FIG. 10 is a bottom view thereof; and,

FIG. 11 is a right side view thereof.

1 Claim, 5 Drawing Sheets



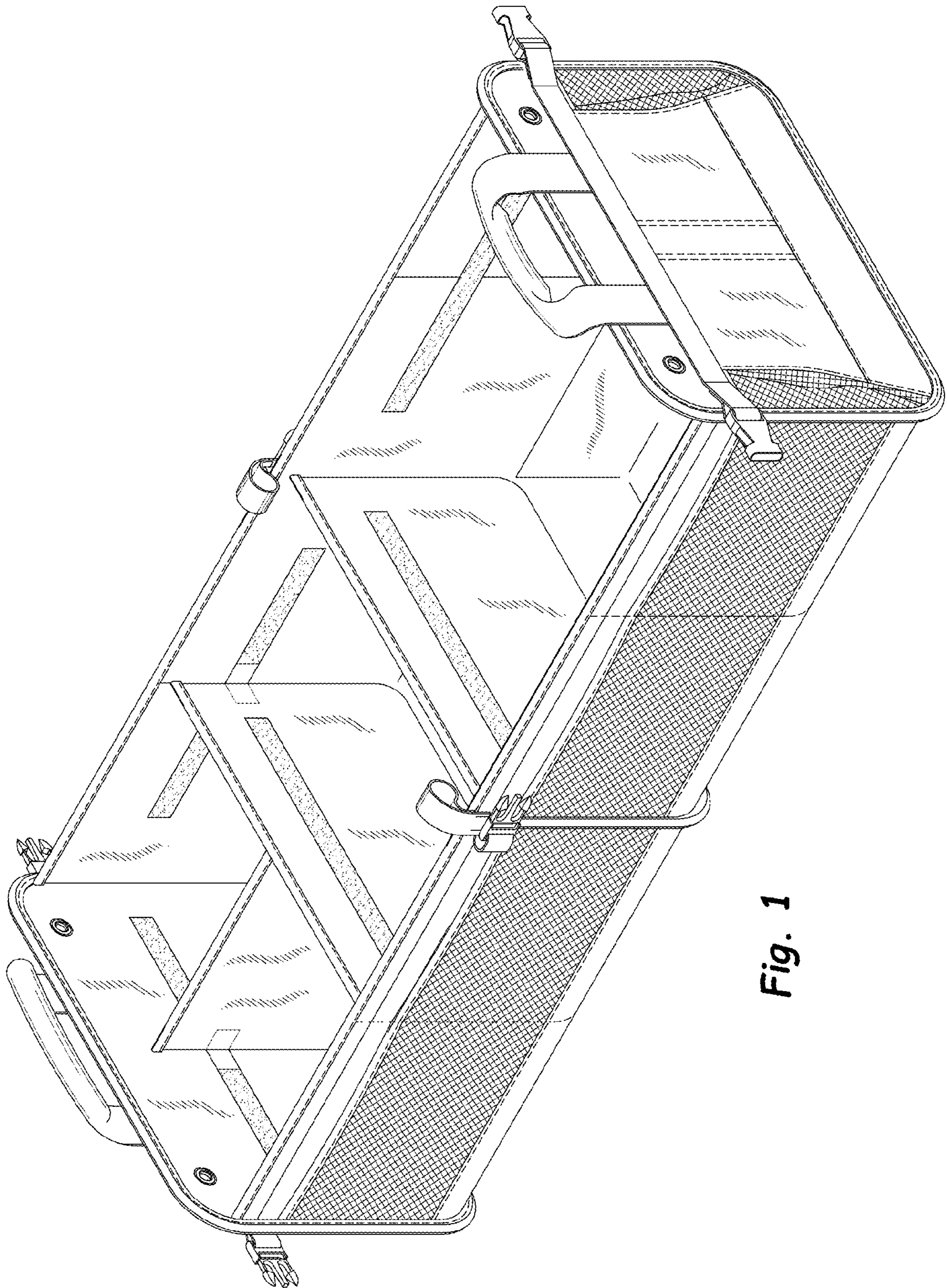


Fig. 1

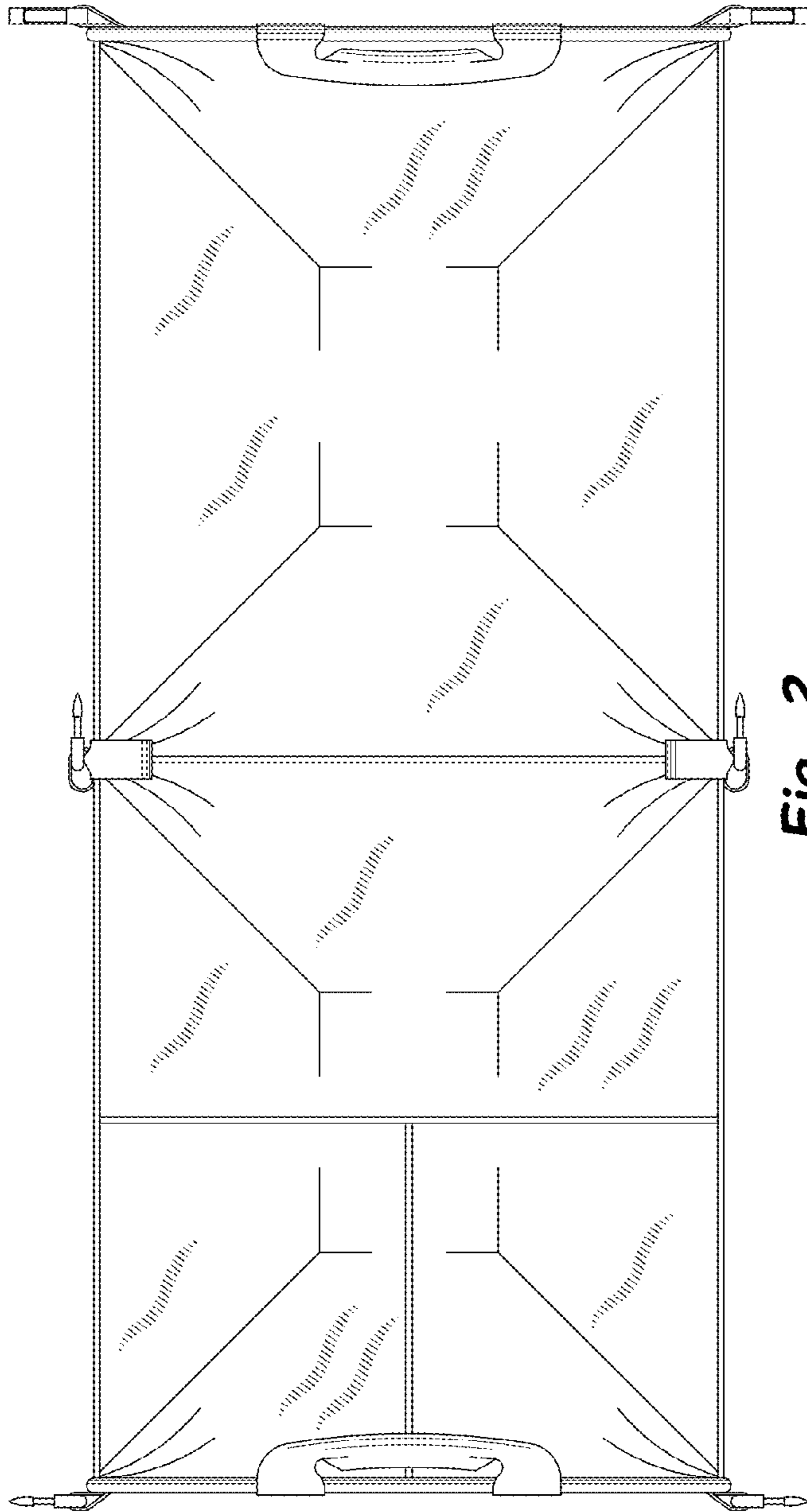


Fig. 2

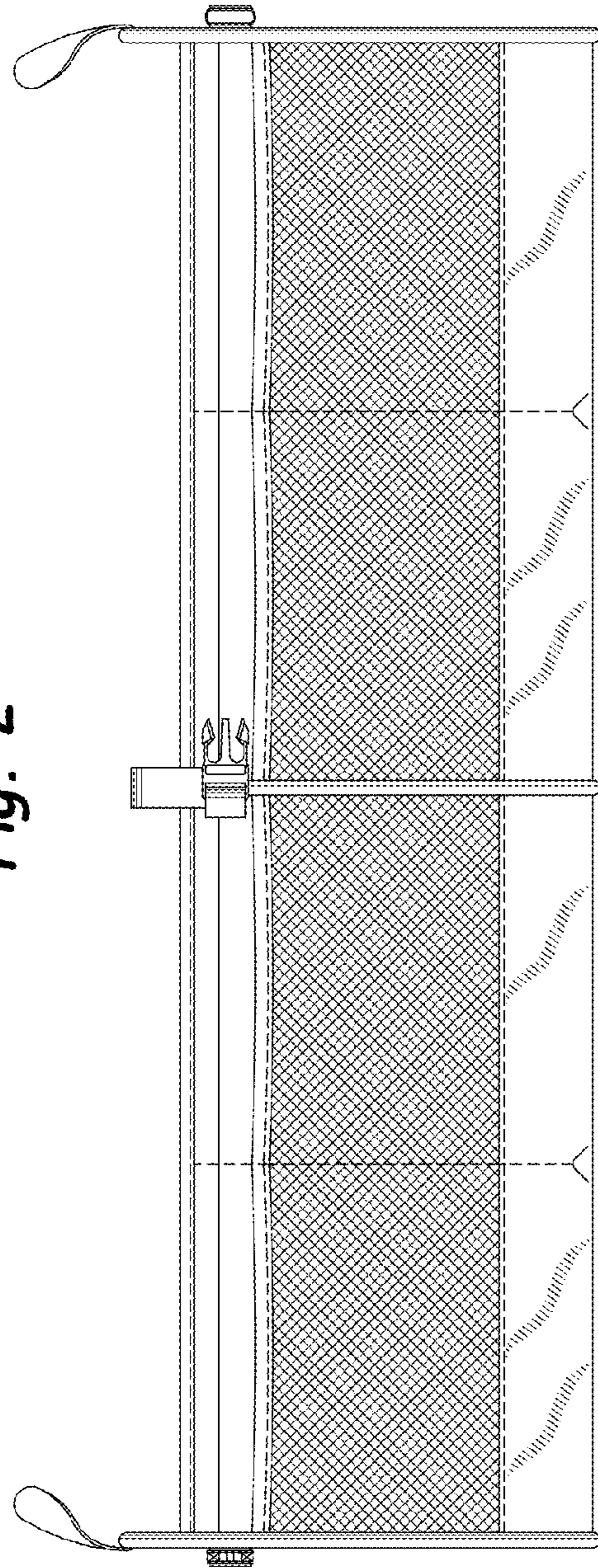


Fig. 3

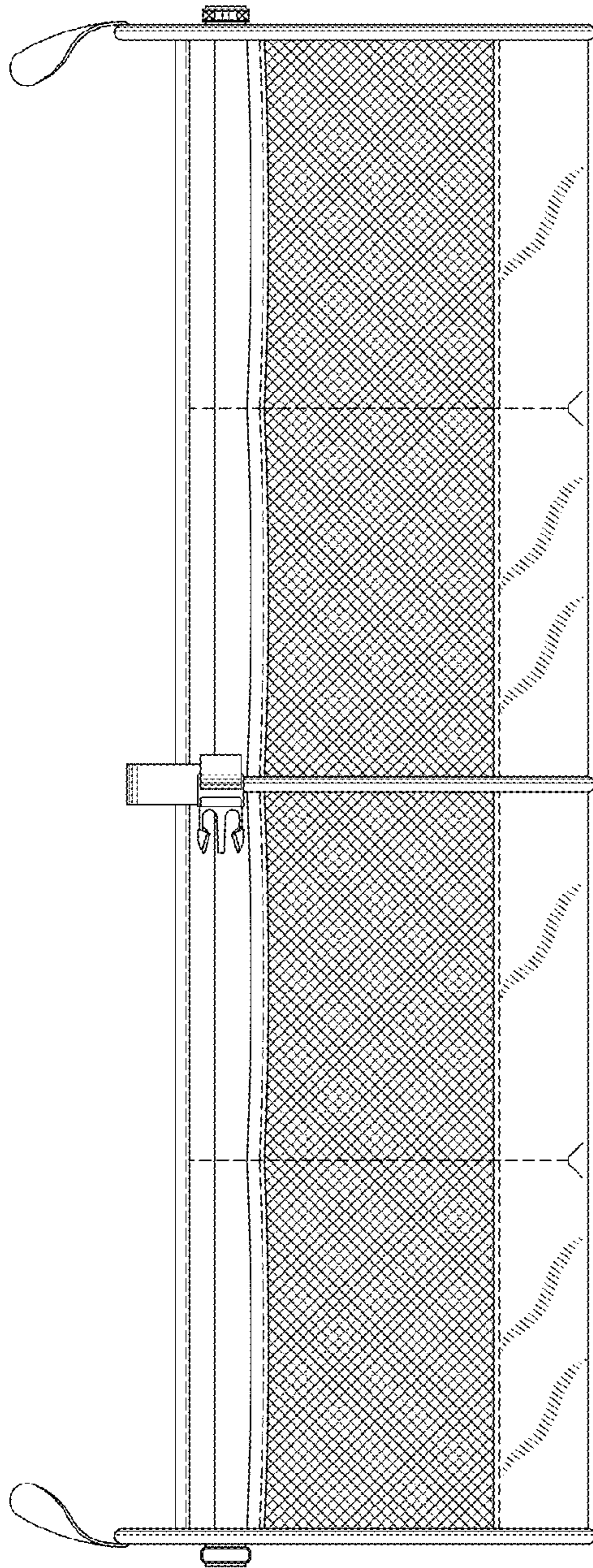


Fig. 4

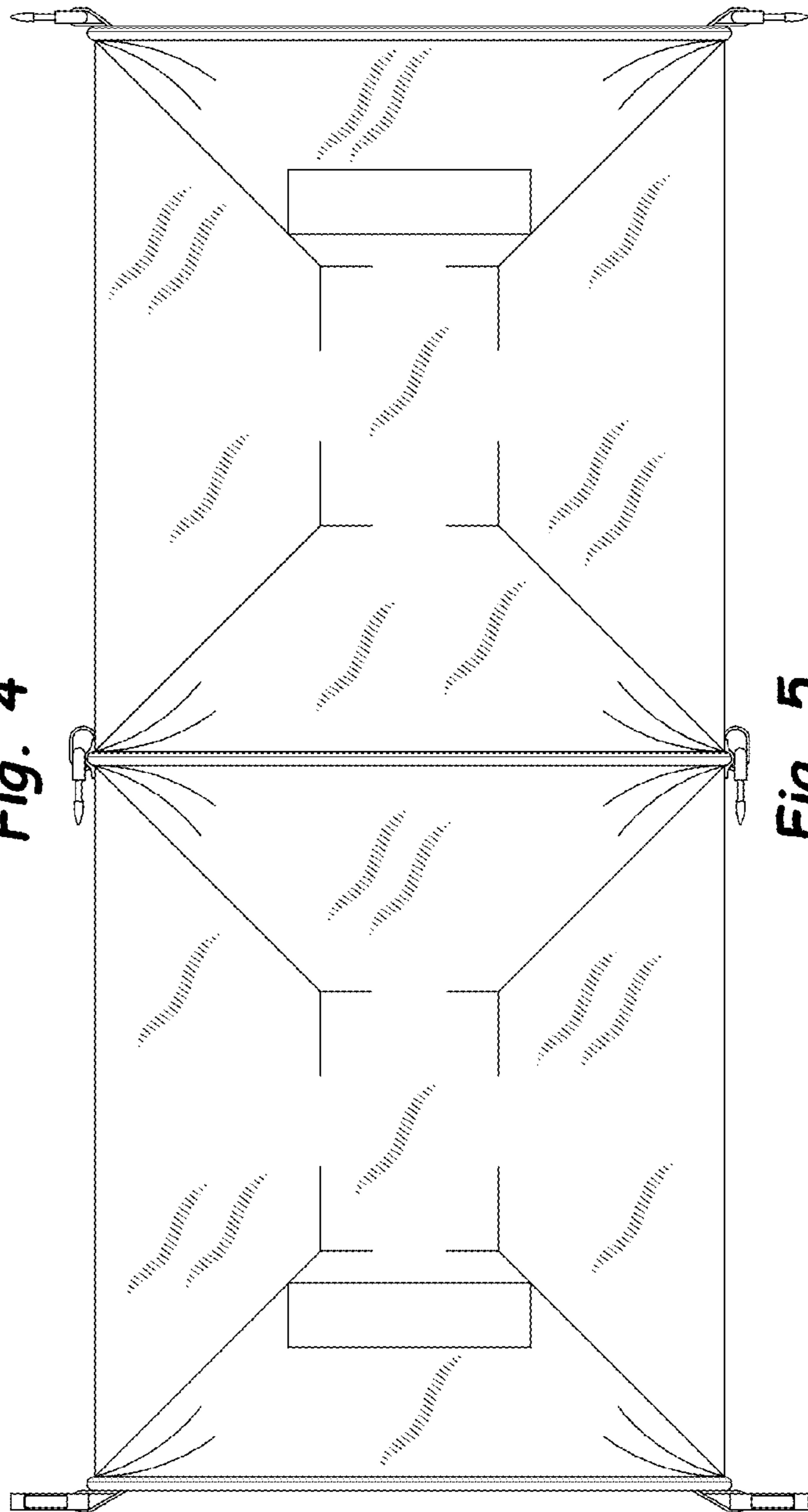


Fig. 5

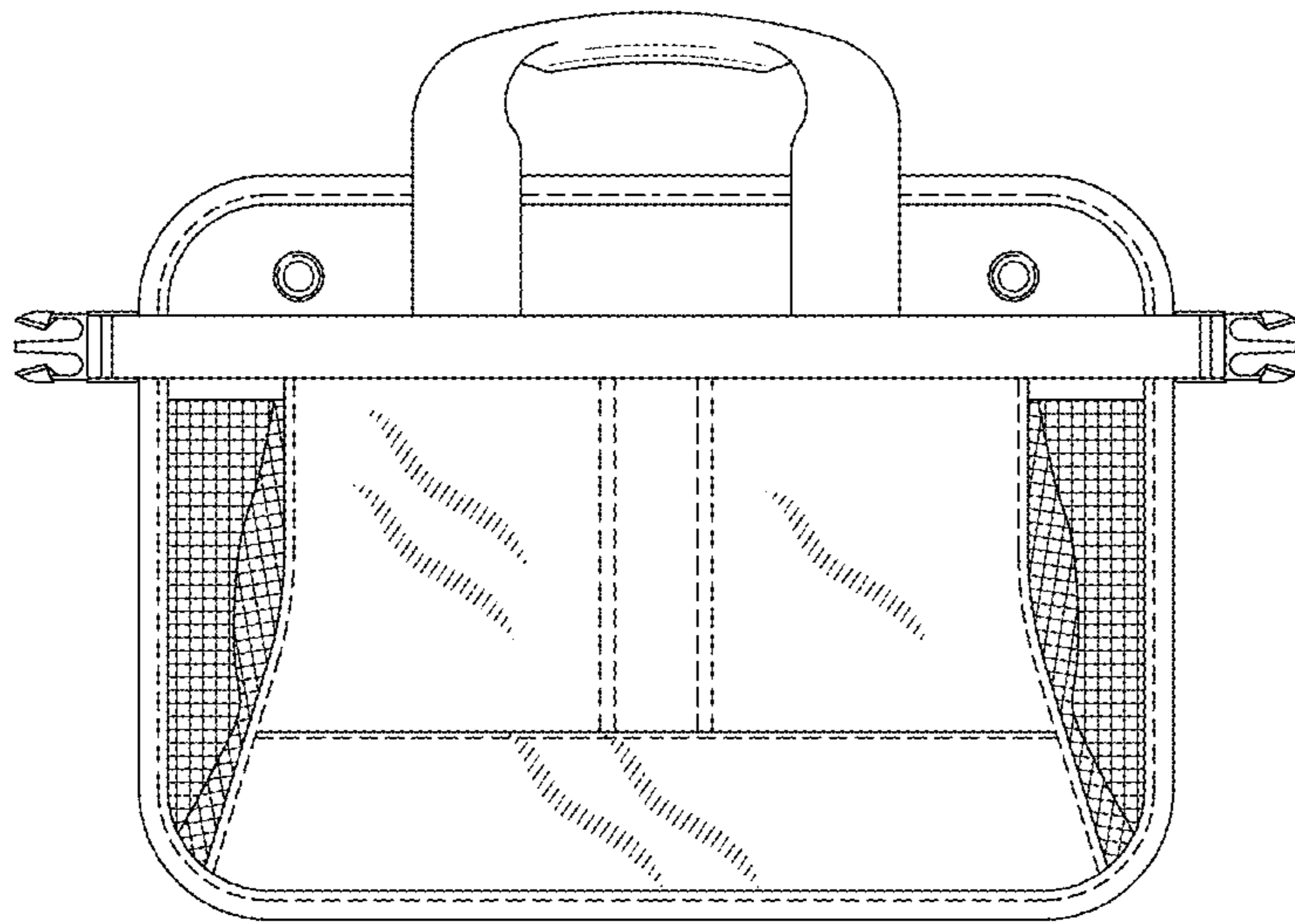


Fig. 6

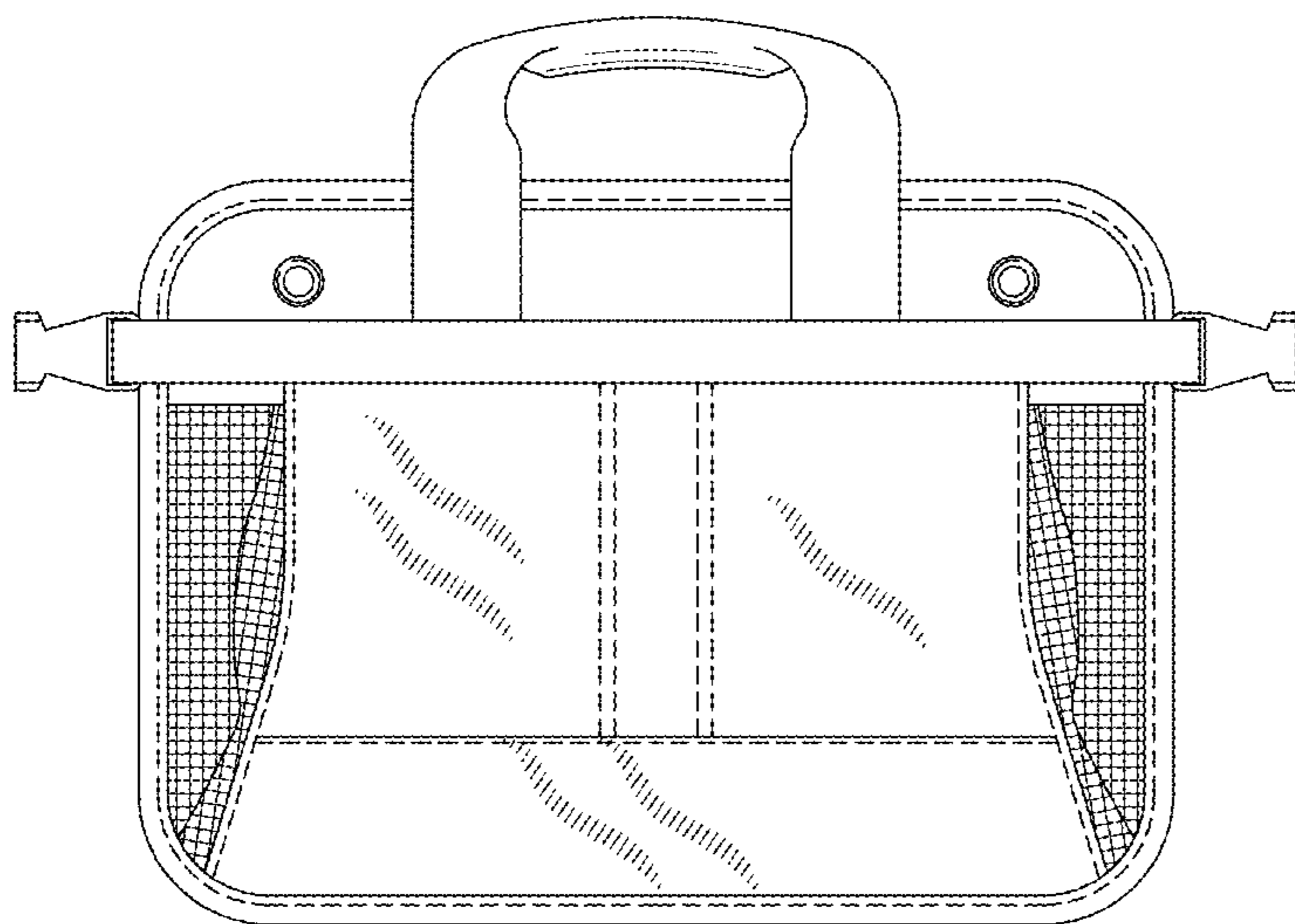


Fig. 7

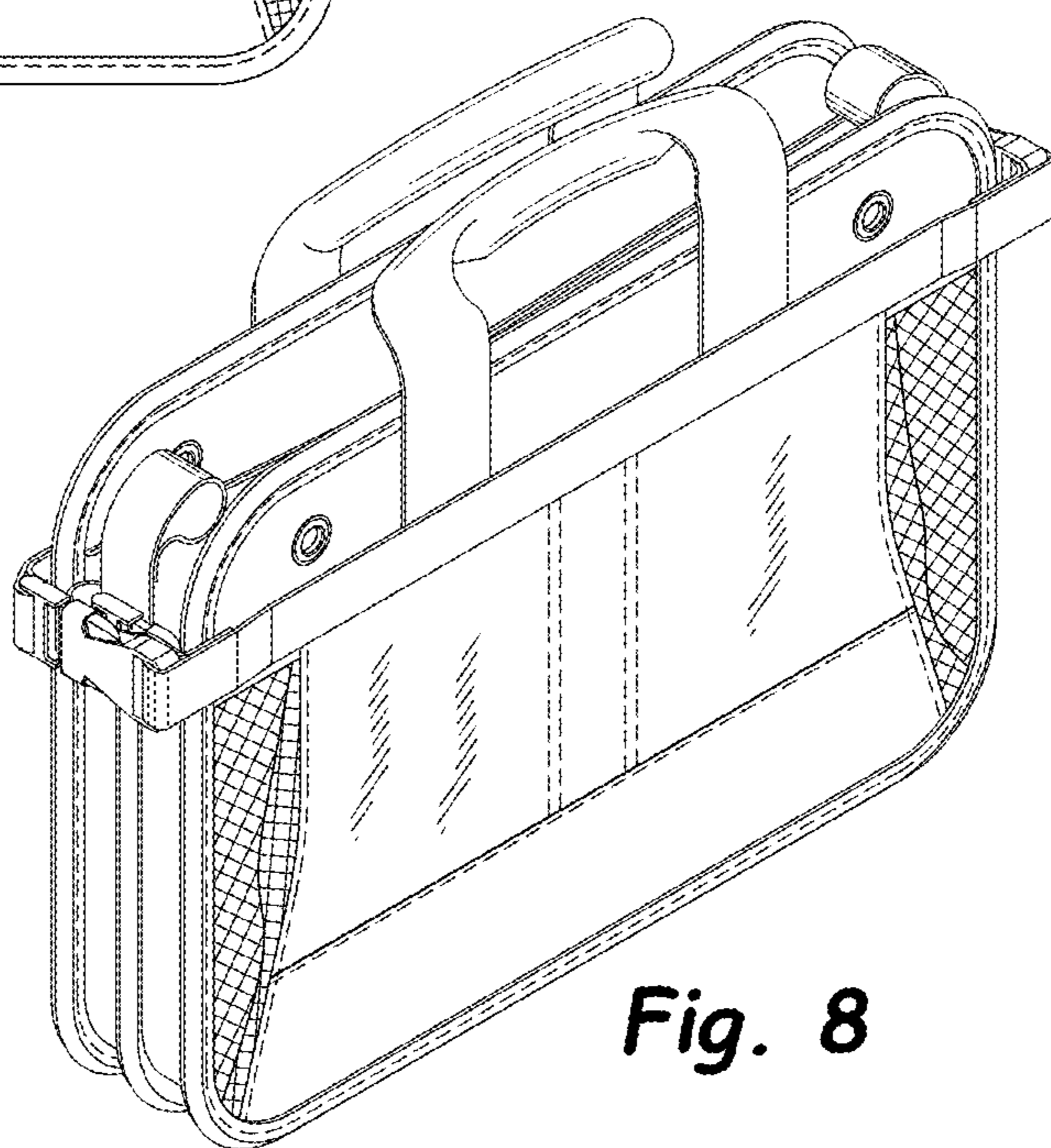


Fig. 8

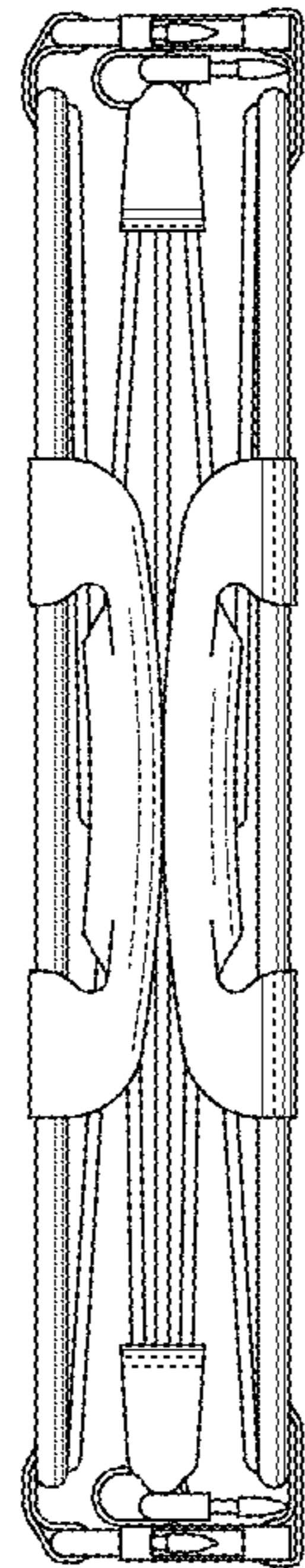


Fig. 9

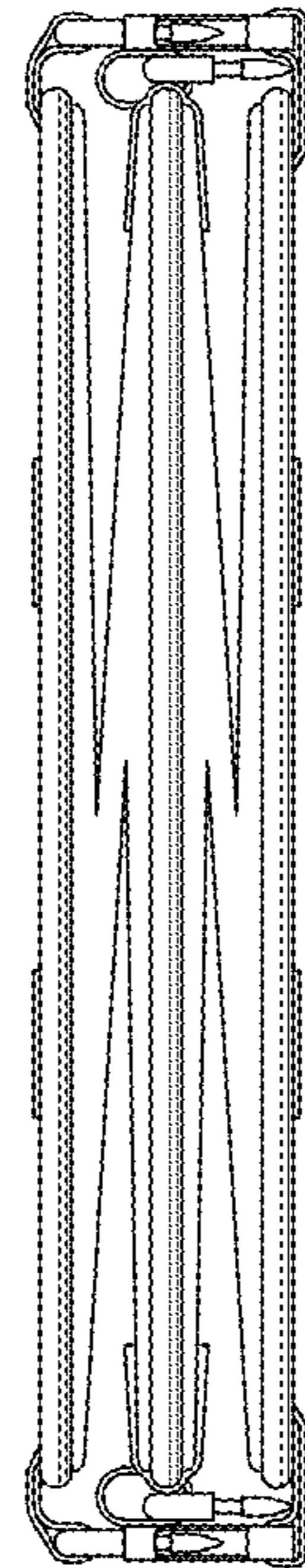


Fig. 10

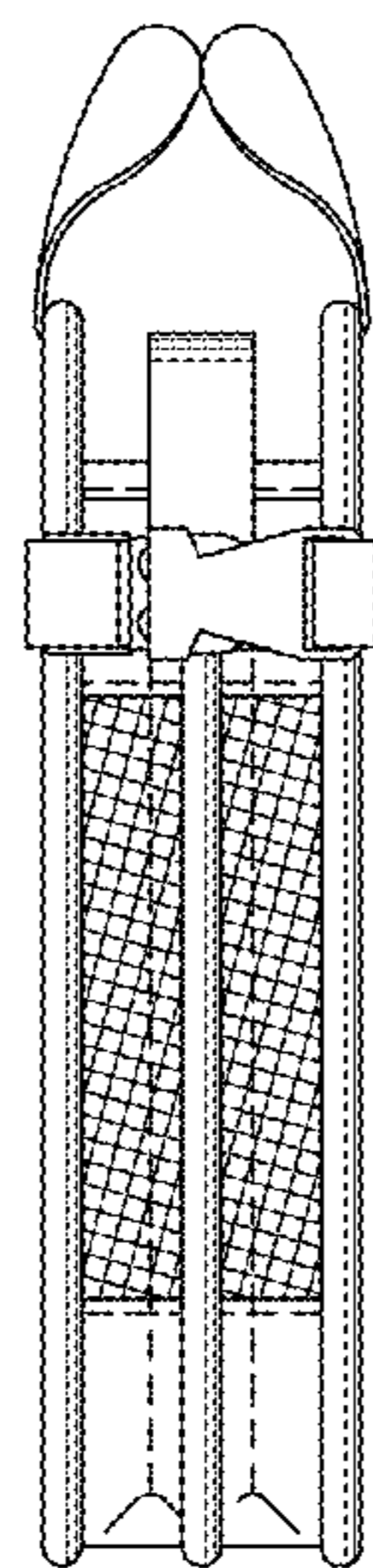


Fig. 11