

US00D969060S

(12) **United States Design Patent** (10) **Patent No.:** **US D969,060 S**
Zhang (45) **Date of Patent:** **** Nov. 8, 2022**

(54) **CAR PHONE MOUNT**

(71) Applicant: **Wei Zhang**, Hefei (CN)

(72) Inventor: **Wei Zhang**, Hefei (CN)

(**) Term: **15 Years**

(21) Appl. No.: **29/809,808**

(22) Filed: **Sep. 30, 2021**

(51) **LOC (13) Cl.** **12-16**

(52) **U.S. Cl.**
USPC **D12/415**

(58) **Field of Classification Search**
USPC D12/415-420, 40, 191, 106, 195, 192,
D12/345, 96, 99

CPC B60R 7/04; B60R 7/08
See application file for complete search history.

(56) **References Cited**

U.S. PATENT DOCUMENTS

D825,548 S	8/2018	Lebovitz	
D888,703 S	6/2020	Liao	
D908,687 S	1/2021	Lebovitz	
D920,322 S *	5/2021	Stefanelli	D12/415
D920,888 S *	6/2021	Miao	D12/415
D925,435 S *	7/2021	Tung	D12/415

D934,232 S *	10/2021	Francis	D12/415
D936,048 S *	11/2021	Wang	D12/415
D937,820 S *	12/2021	Li	D12/415
D939,494 S *	12/2021	Leeds-Frank	D12/415
D943,569 S *	2/2022	Zhang	D12/415
D944,185 S *	2/2022	Hodge	D12/415
D944,239 S *	2/2022	Li	D12/415
D950,543 S *	5/2022	Zhang	D12/415
D955,319 S *	6/2022	Ackeret	D12/415

* cited by examiner

Primary Examiner — Katrina A Betton

(74) *Attorney, Agent, or Firm* — True Shepherd LLC;
Andrew C. Cheng

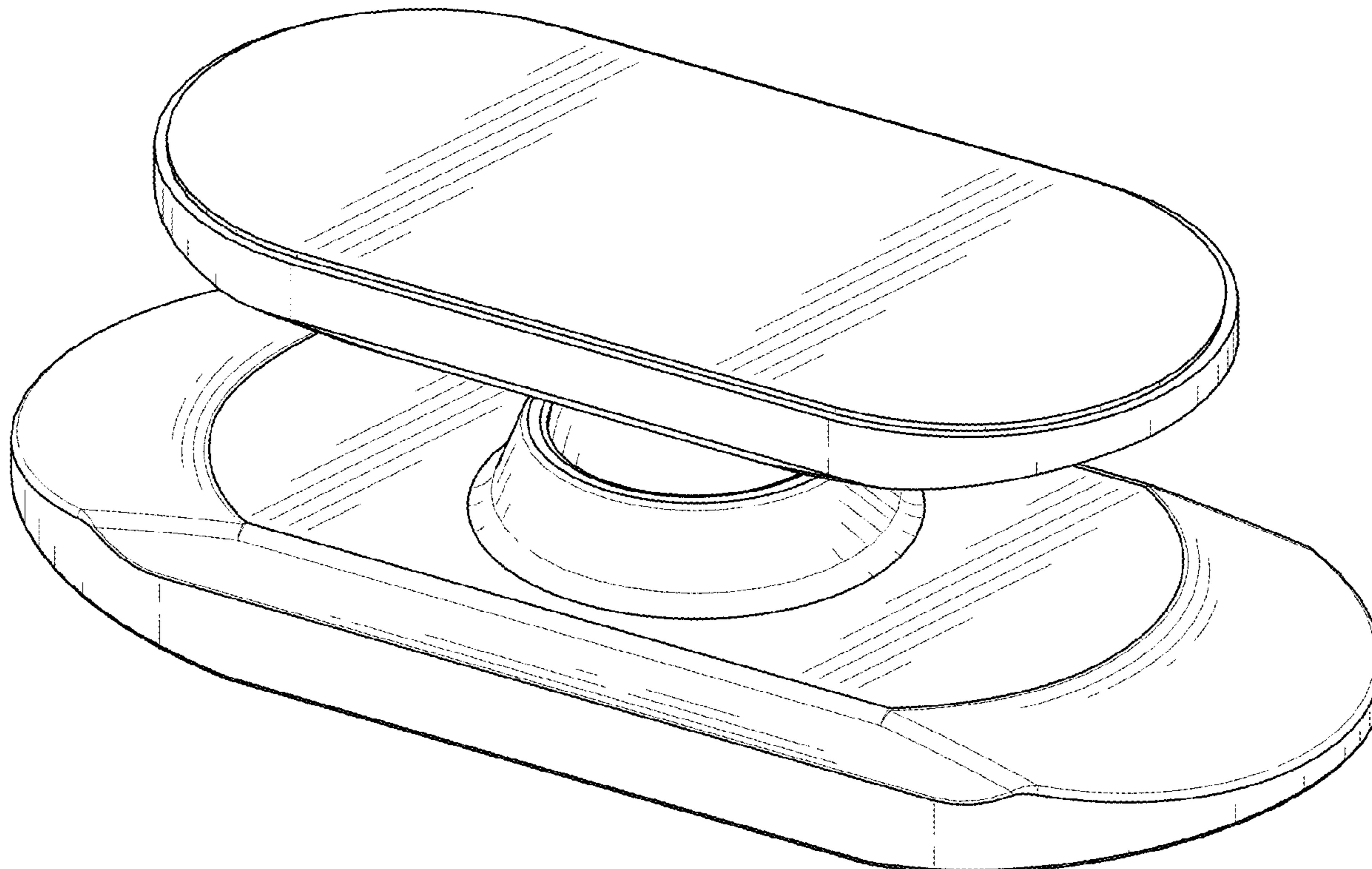
(57) **CLAIM**

The ornamental design for a car phone mount, as shown and described.

DESCRIPTION

FIG. 1 is a perspective view of a car phone mount showing my new design;
FIG. 2 is another perspective view thereof;
FIG. 3 is a front view thereof;
FIG. 4 is a rear view thereof;
FIG. 5 is a left side view thereof;
FIG. 6 is a right side view thereof;
FIG. 7 is a top plan view thereof; and,
FIG. 8 is a bottom plan view thereof.

1 Claim, 8 Drawing Sheets



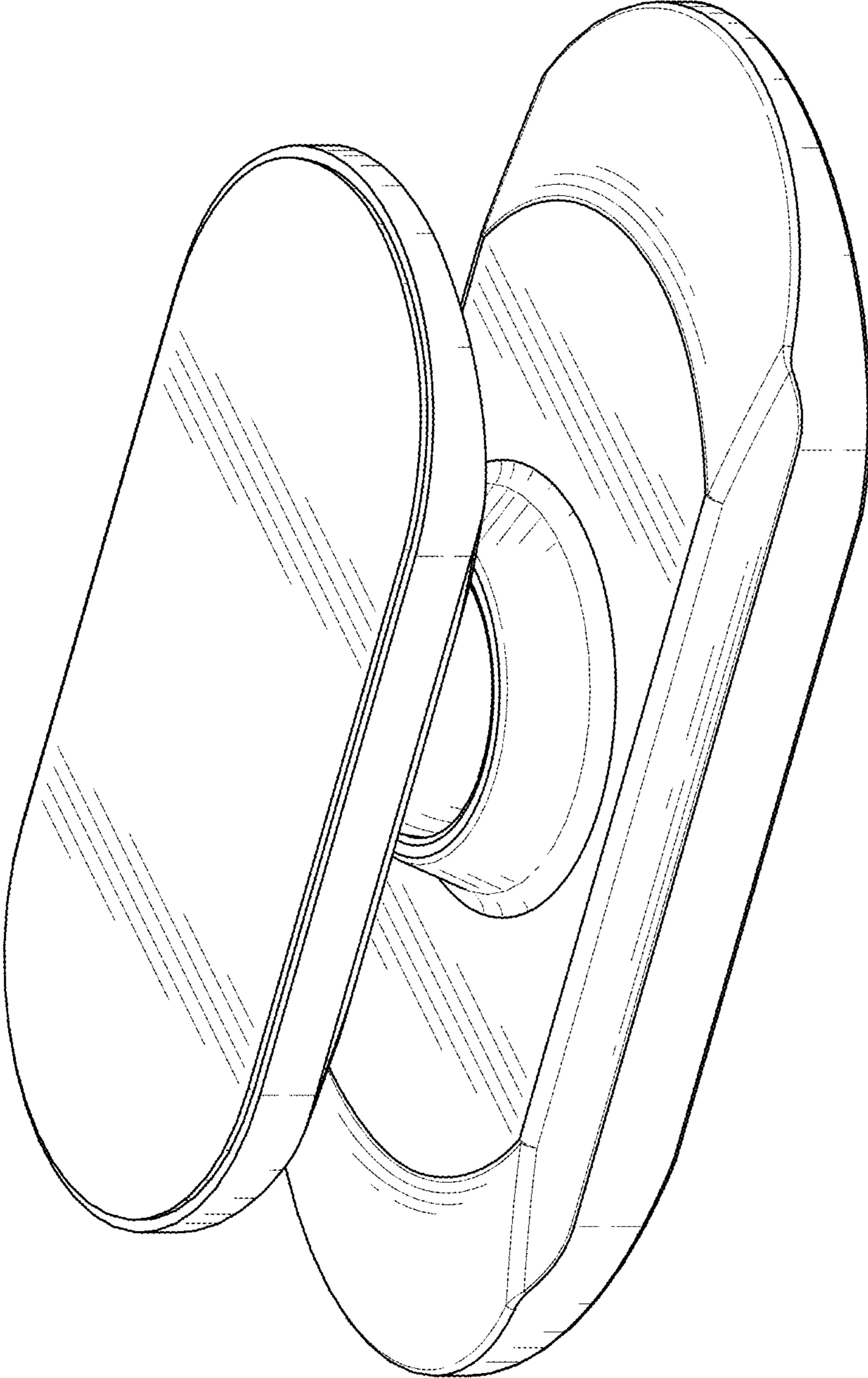


FIG. 1

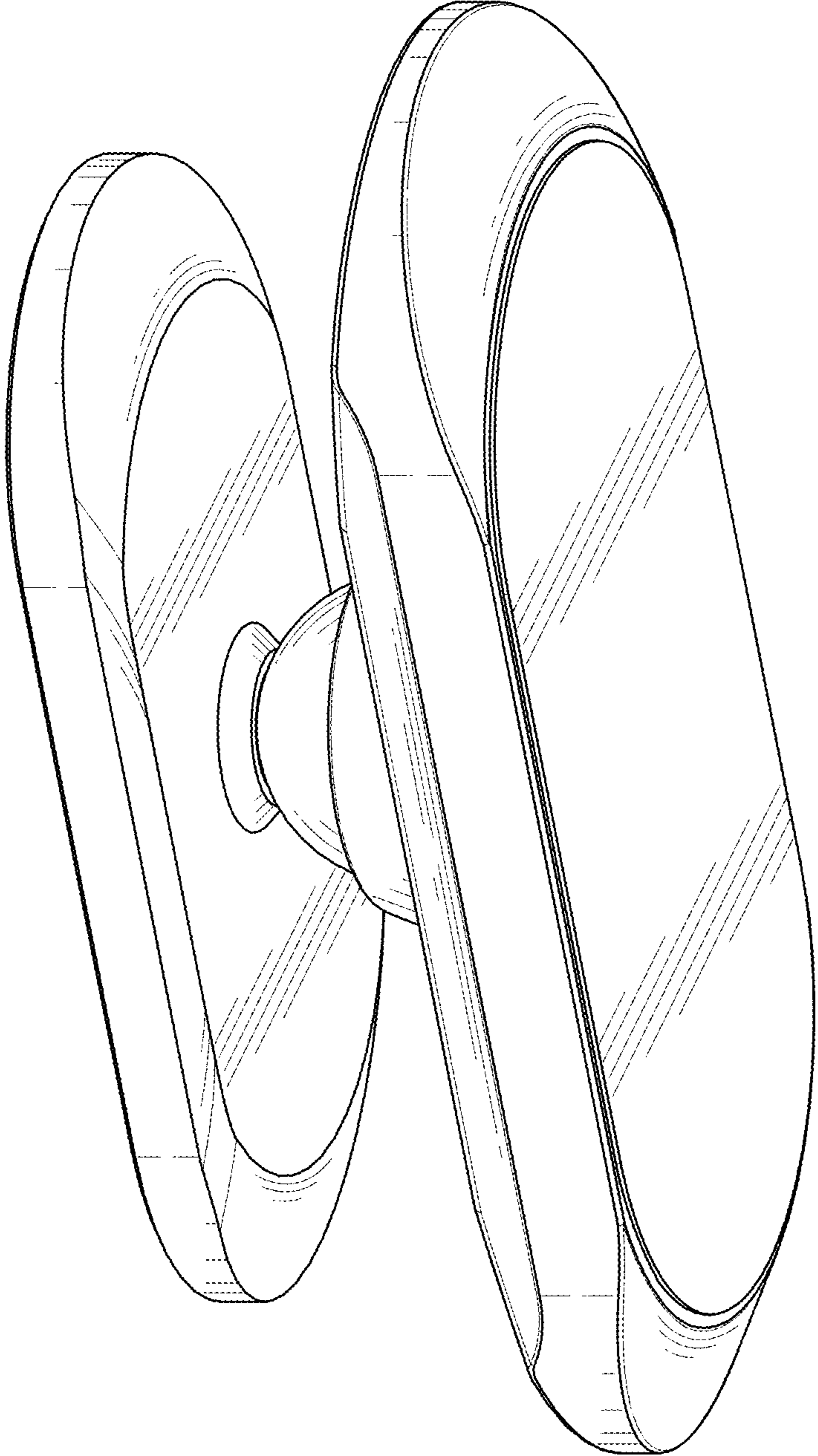


FIG. 2

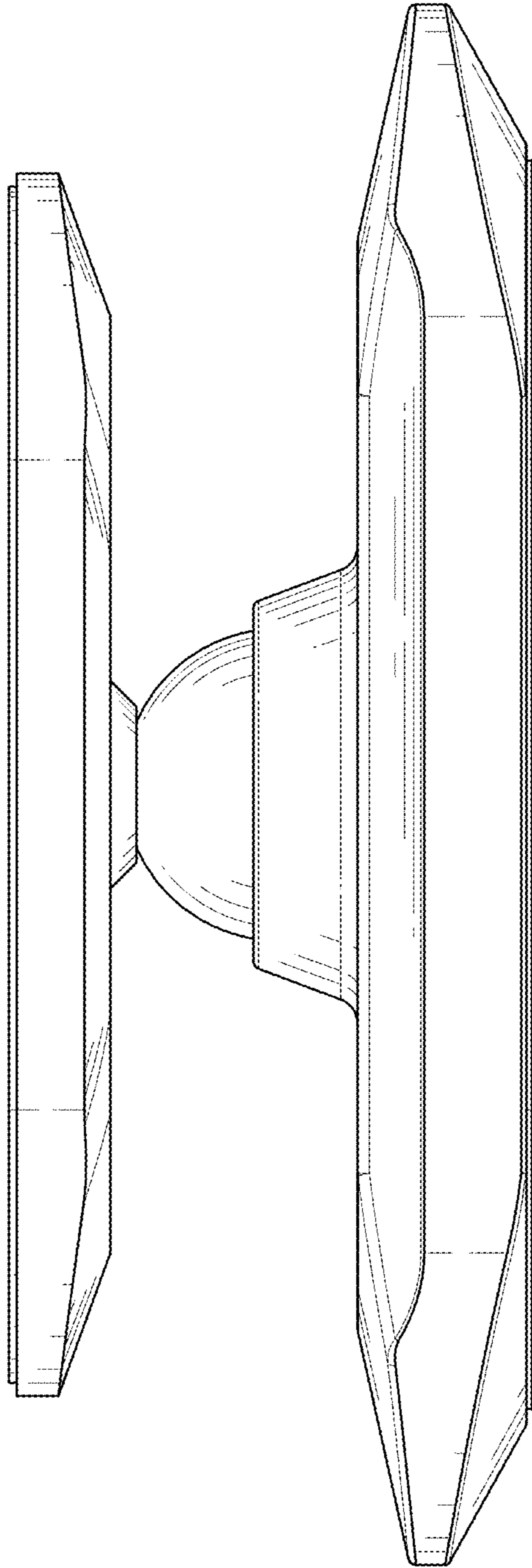


FIG. 3

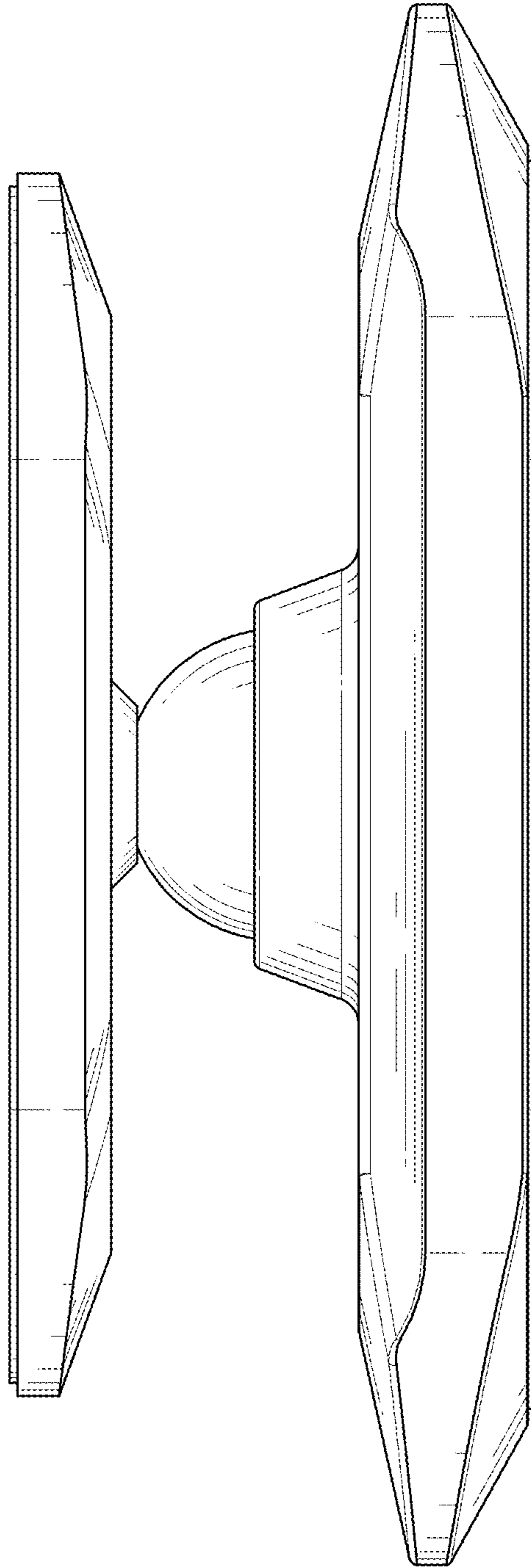


FIG. 4

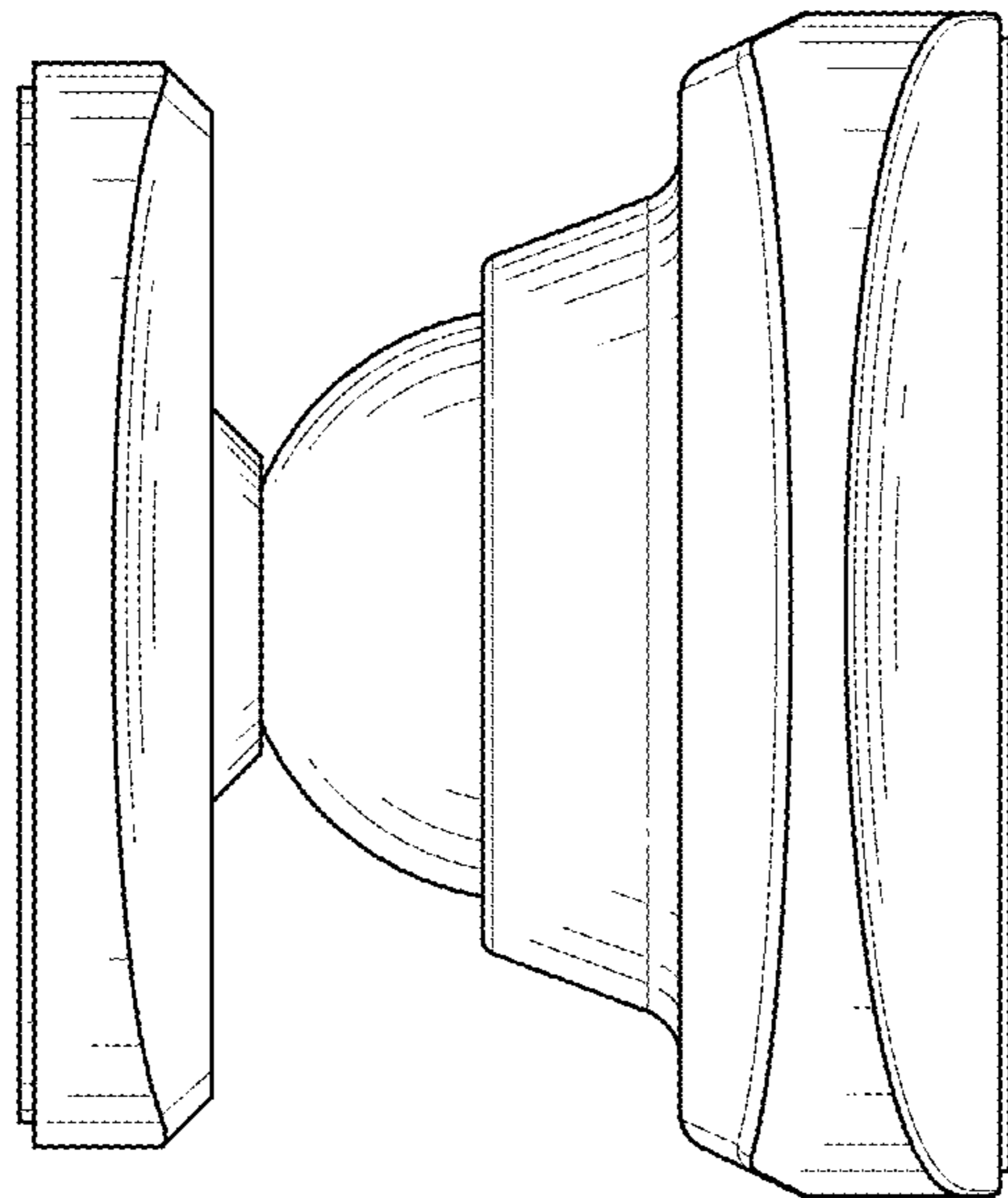


FIG. 5

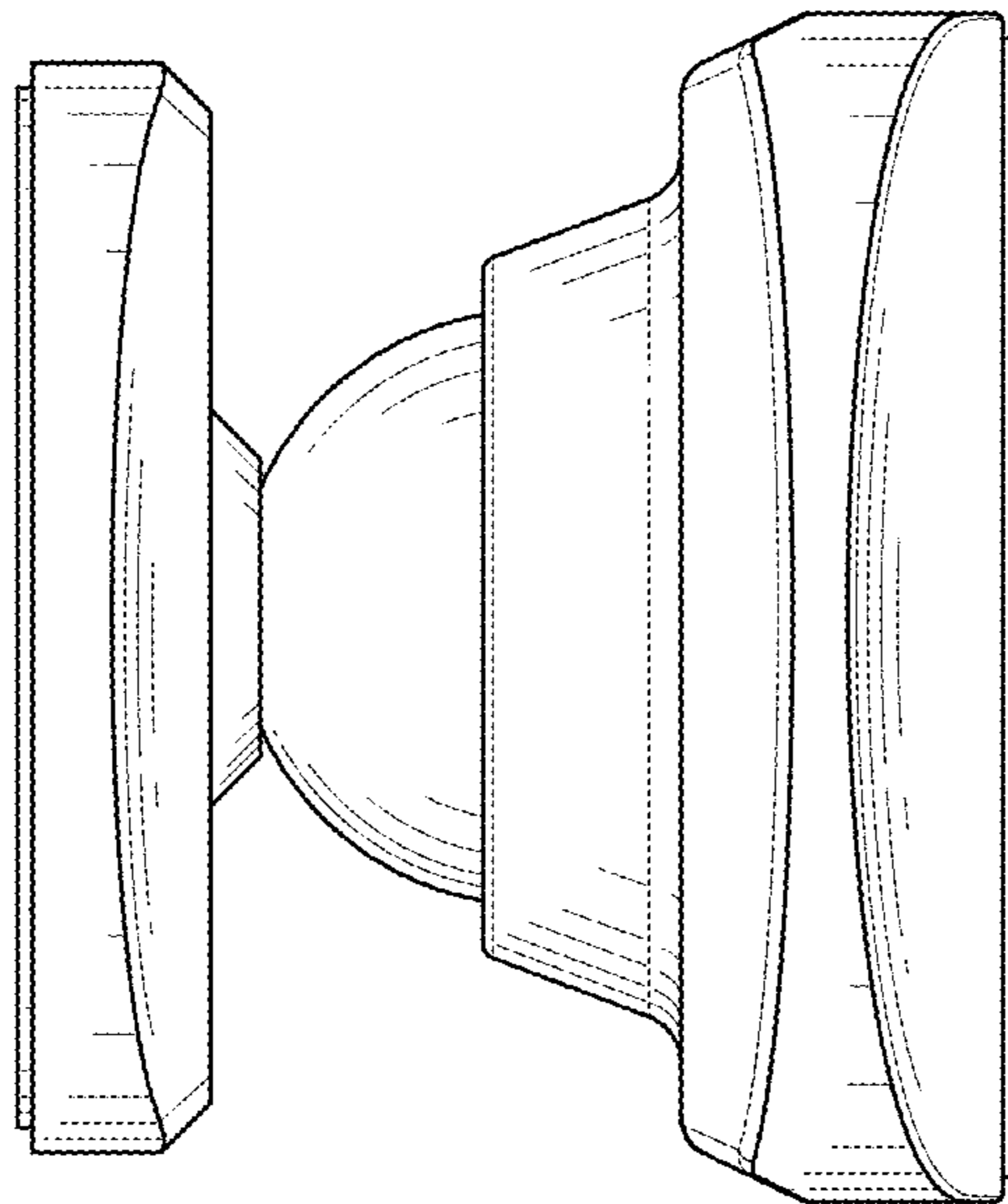


FIG. 6

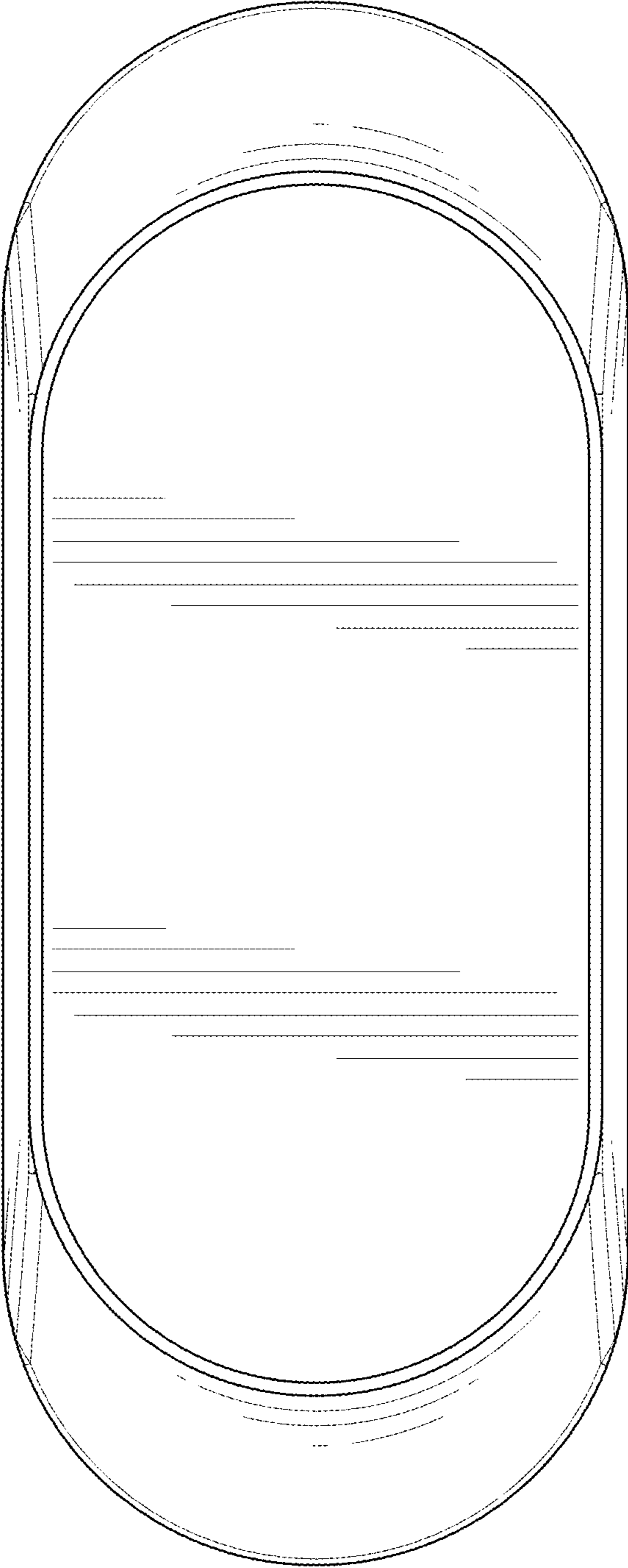


FIG. 7

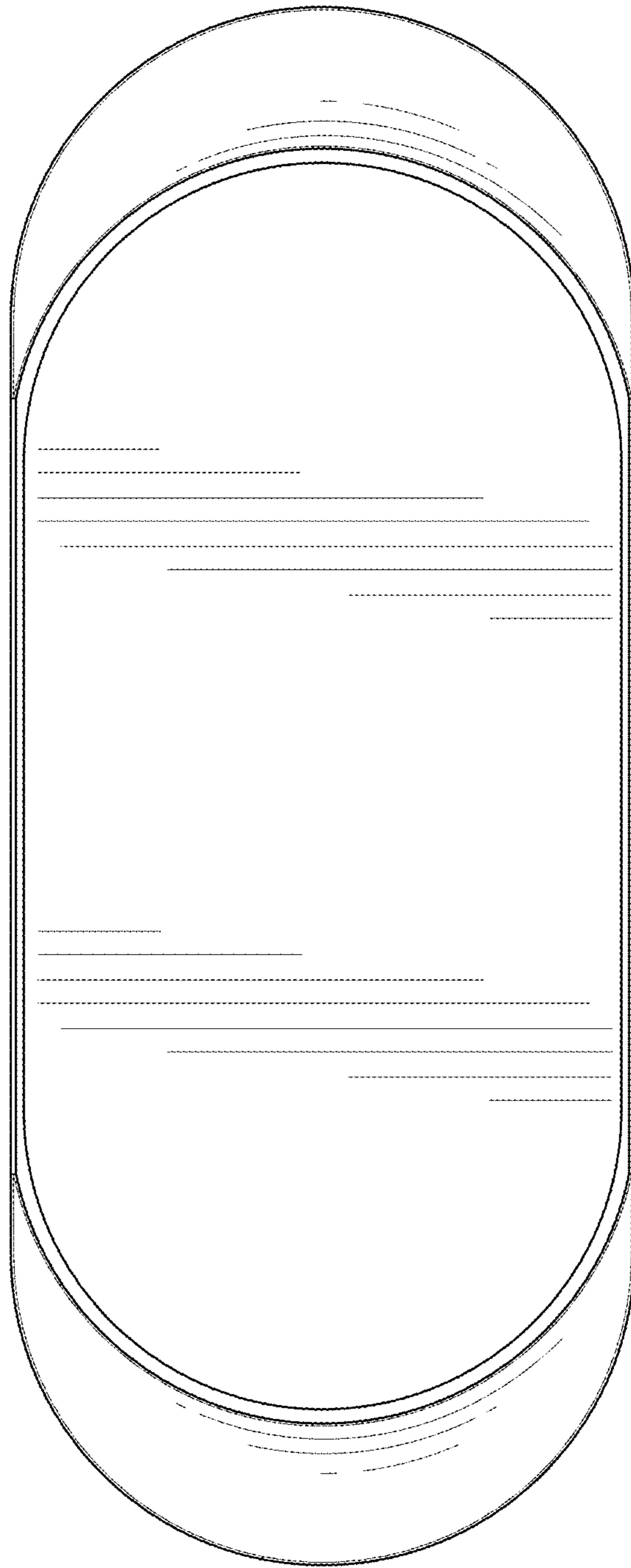


FIG. 8