



US00D969059S

(12) **United States Design Patent** (10) **Patent No.:** **US D969,059 S**
Huang (45) **Date of Patent:** **** Nov. 8, 2022**

(54) **BIKE RACK HOOK PROTECTOR**
(71) Applicant: **Shuo Huang**, Xingning (CN)
(72) Inventor: **Shuo Huang**, Xingning (CN)
(73) Assignee: **Shenzhen Mierbaby Technology Development Co., Ltd.**, Shenzhen (CN)
(**) Term: **15 Years**
(21) Appl. No.: **29/804,663**
(22) Filed: **Aug. 22, 2021**
(51) **LOC (13) Cl.** **12-11**
(52) **U.S. Cl.**
USPC **D12/407**
(58) **Field of Classification Search**
USPC D12/406-408, 115; D8/367, 372, 373;
D22/144; D6/328, 552
CPC .. B60R 9/10; B60R 9/06; B60R 11/00; B62H
3/00; B62H 3/12; A47F 5/0876; F16B
45/00
See application file for complete search history.

D819,431 S * 6/2018 Goodman D8/367
D822,464 S * 7/2018 Kwiatkowski D8/367
D831,471 S * 10/2018 Kim D8/367
D839,721 S * 2/2019 Downey D8/367
D842,083 S * 3/2019 Thompson D8/367
D849,515 S * 5/2019 Sokoly D8/367
D861,467 S * 10/2019 Woolman D8/367
D863,943 S * 10/2019 Knight D8/367
D864,698 S * 10/2019 Wilson A45F 5/00
D872,567 S * 1/2020 Bond D8/367
D893,985 S * 8/2020 Dankert D8/367
D897,193 S * 9/2020 Sokoly D8/367
D927,866 S * 8/2021 Allard D8/367

(Continued)

OTHER PUBLICATIONS

Hook socks Upgraded Car Scratch Protectors for Trunk Bike Rack, Car Paint Protector for Bike Rack Hooks, Durable Bike Rack for Car Accessories (10 Pack); Jan. 19, 2022; <https://www.amazon.com/hook-socks-Protectors-Protector-Accessories/dp/B09QPD4FGH?th=1>; 9Pgs. (Year: 2022).*

Primary Examiner — Michelle E. Wilson
Assistant Examiner — Clese Moore, Jr.

(56) **References Cited**
U.S. PATENT DOCUMENTS

D344,868 S * 3/1994 Martinell D6/552
D373,948 S * 9/1996 Etzel D8/367
D482,600 S * 11/2003 Dretzka D8/367
D494,452 S * 8/2004 Sheldon D8/367
D584,939 S * 1/2009 Snell D8/367
D697,388 S * 1/2014 Pan D8/367
D746,127 S * 12/2015 Cohen D8/367
D753,472 S * 4/2016 Pan D8/371
D756,756 S 5/2016 Kuehn
D772,043 S * 11/2016 Forrest D8/367
D784,044 S * 4/2017 Sokoly D6/552
D787,303 S 5/2017 Garvin
D809,905 S * 2/2018 Gunderson D8/371
D810,547 S 2/2018 Lynn et al.
D811,862 S * 3/2018 Berger D8/367

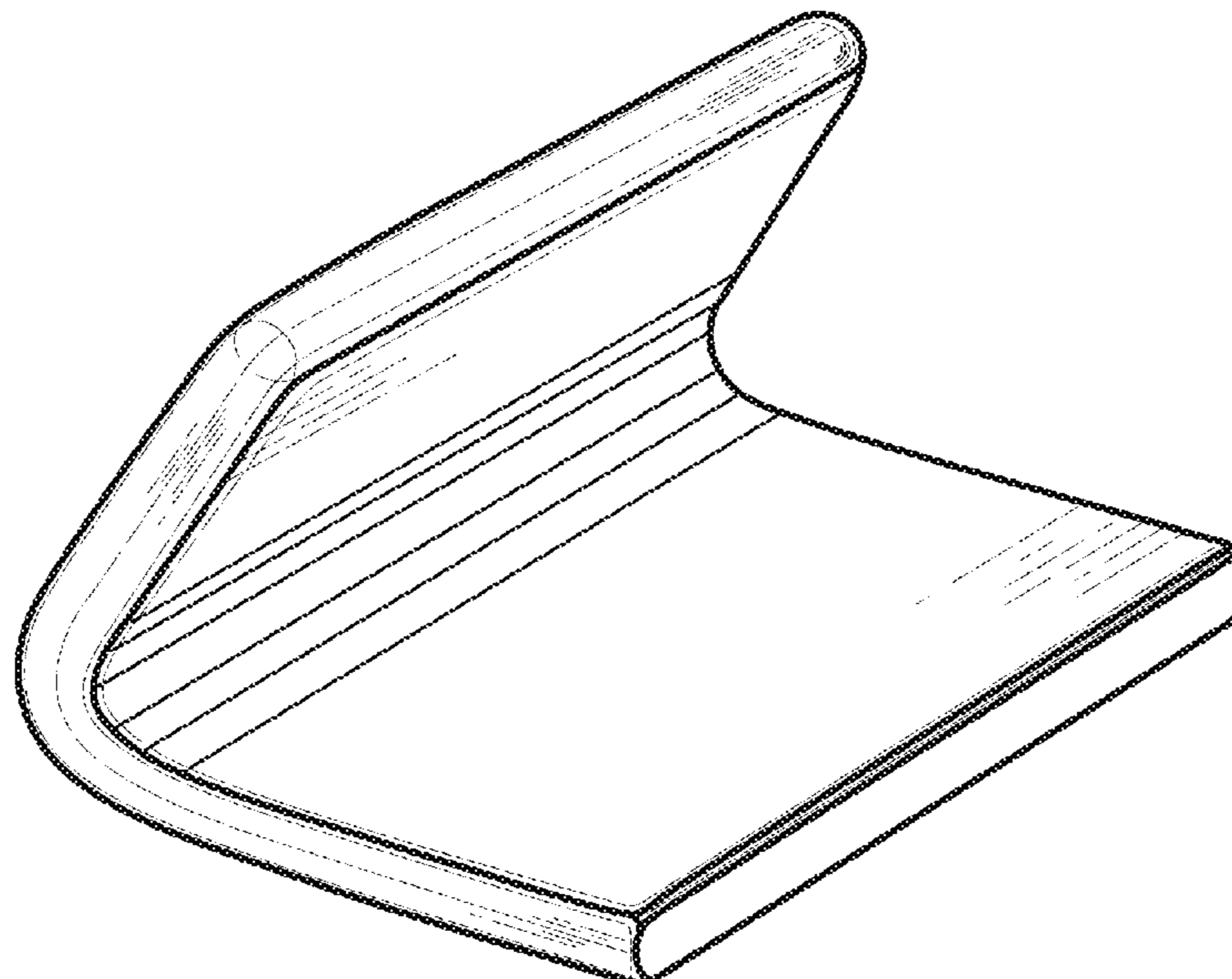
(57) **CLAIM**

The ornamental design for a bike rack hook protector, as shown and described.

DESCRIPTION

FIG. 1 is a perspective view of a bike rack hook protector showing my new design;
FIG. 2 is a front elevational view thereof;
FIG. 3 is a rear elevational view thereof;
FIG. 4 is a left side elevational view thereof;
FIG. 5 is a right side elevational view thereof;
FIG. 6 is a top plan view thereof; and,
FIG. 7 is a bottom plan view thereof.

1 Claim, 7 Drawing Sheets



(56)

References Cited

U.S. PATENT DOCUMENTS

2015/0129732 A1* 5/2015 Propersi A47G 25/0607
248/304

* cited by examiner

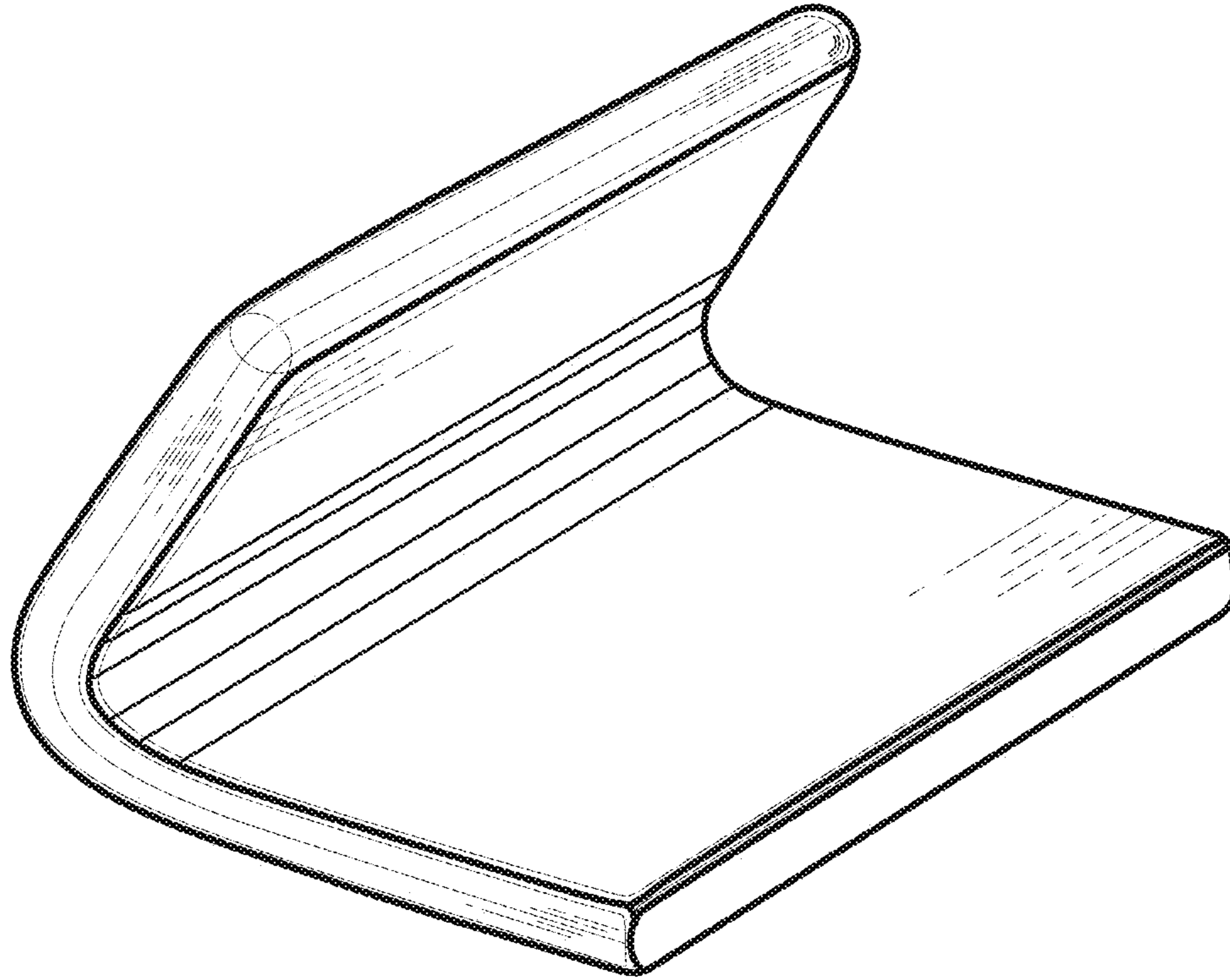


FIG.1

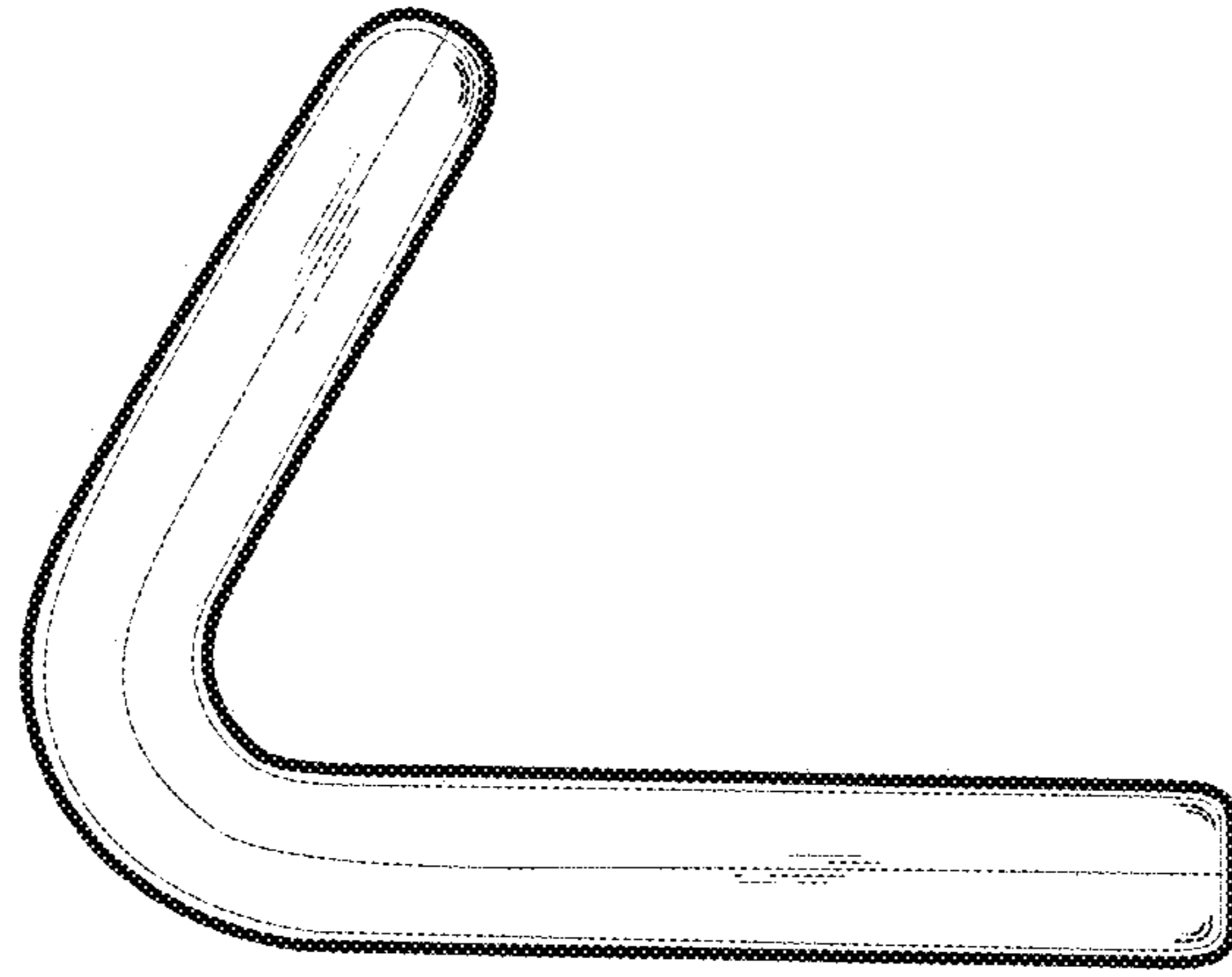


FIG.2

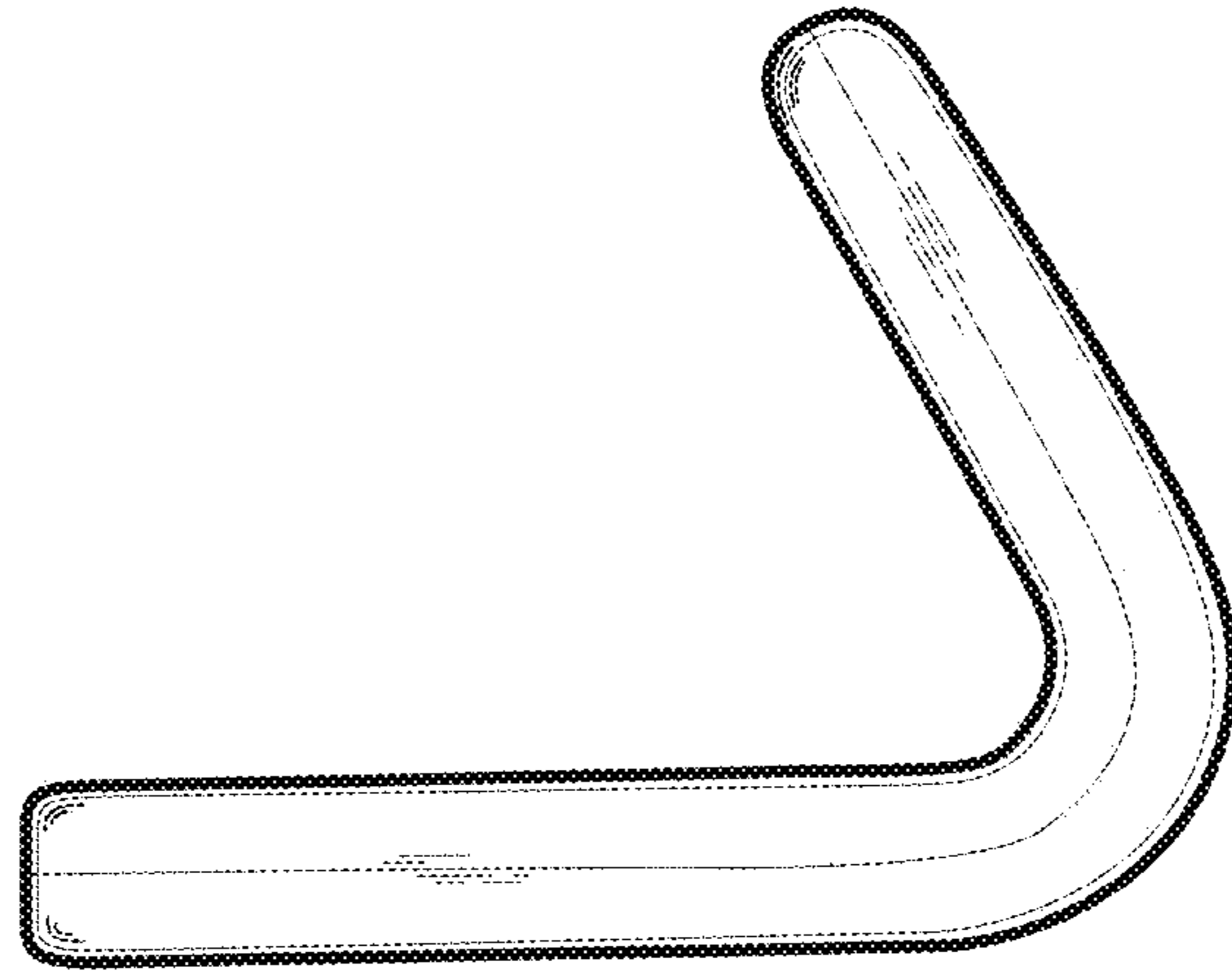


FIG.3

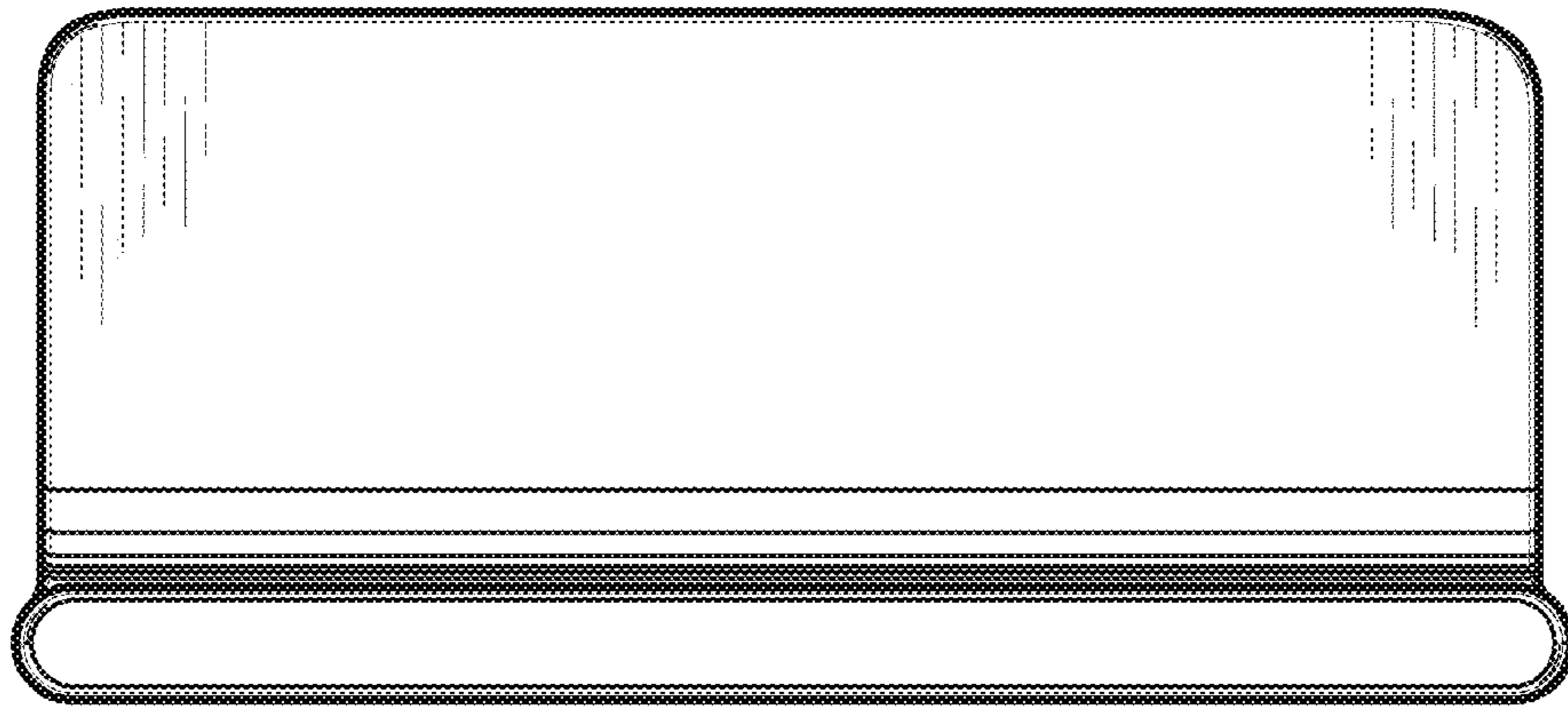


FIG.4

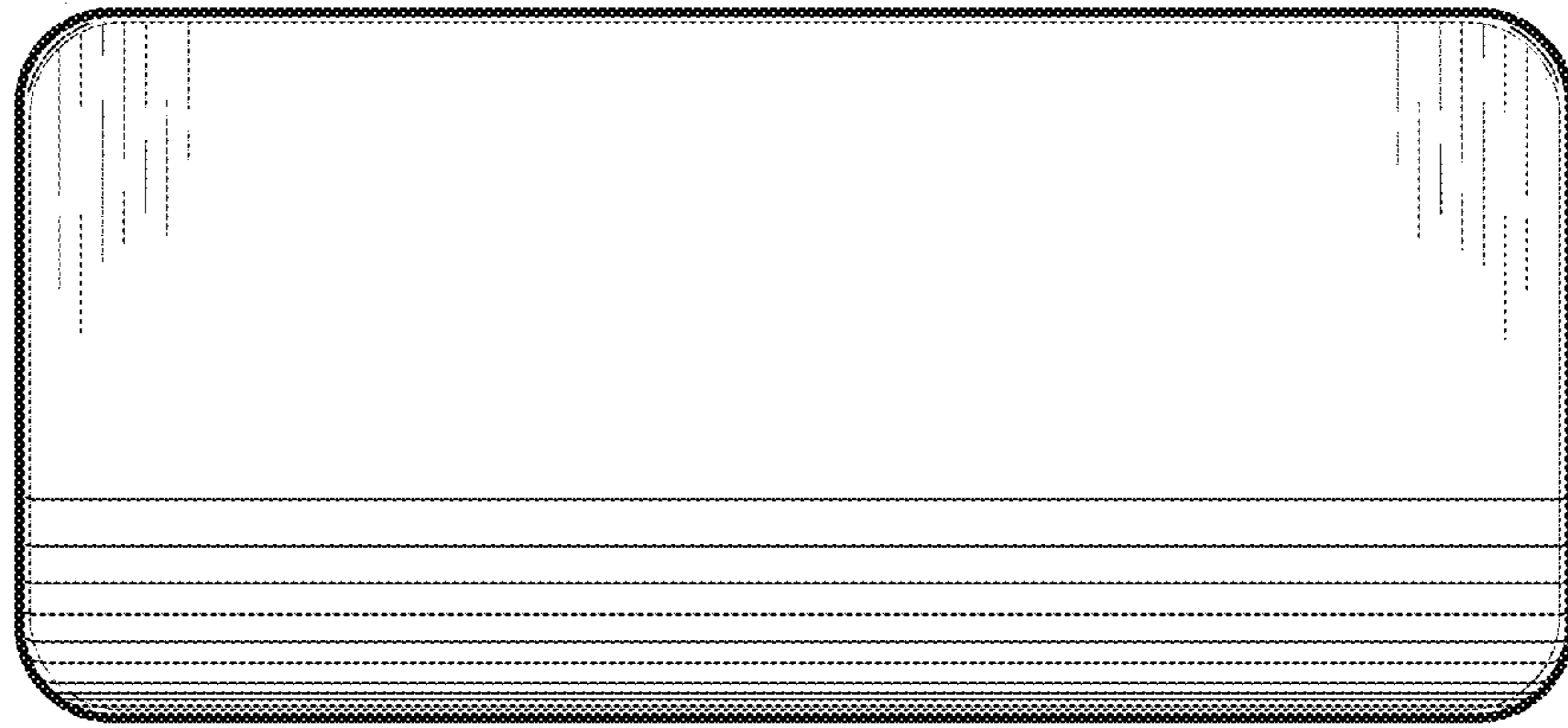


FIG.5

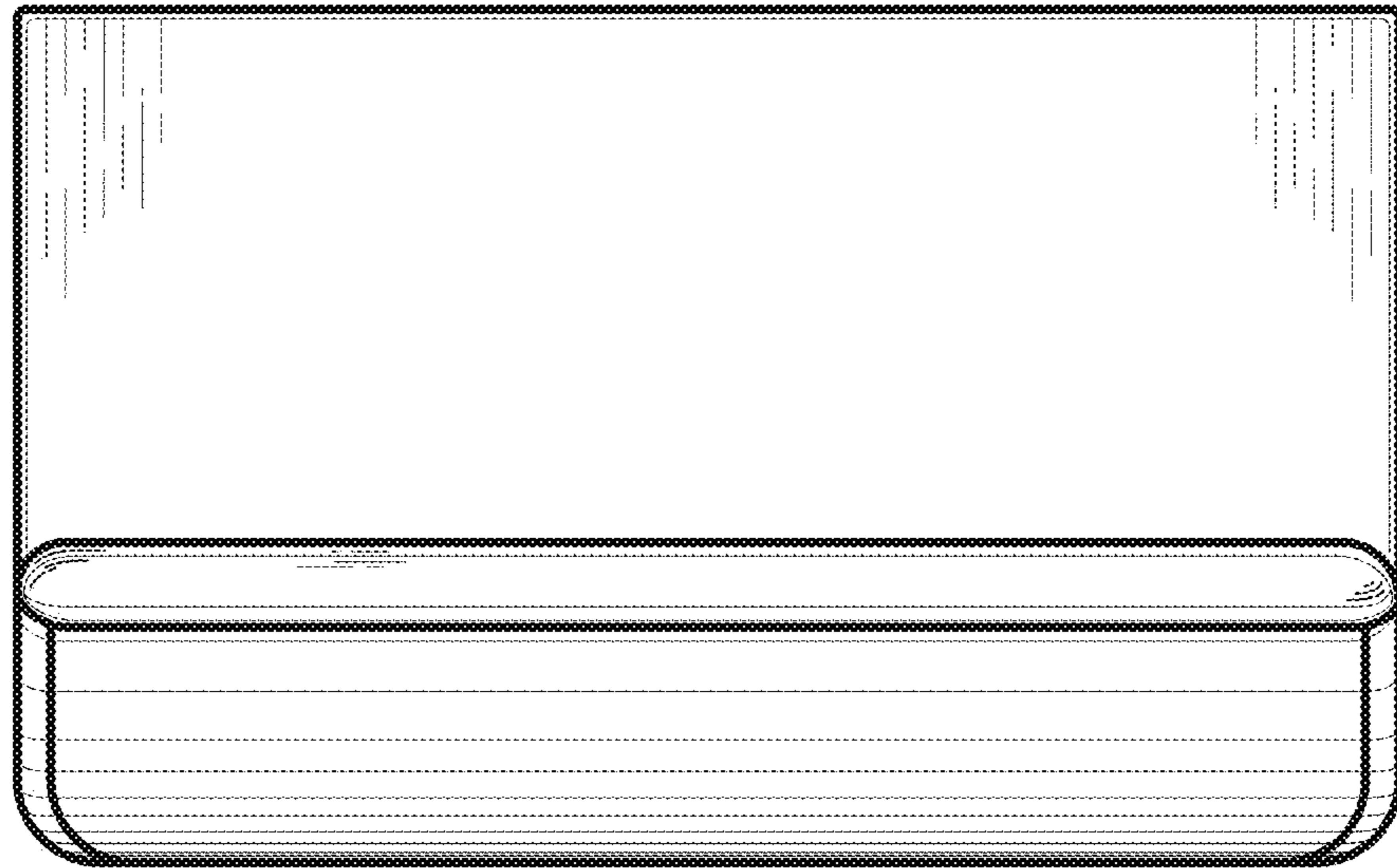


FIG.6

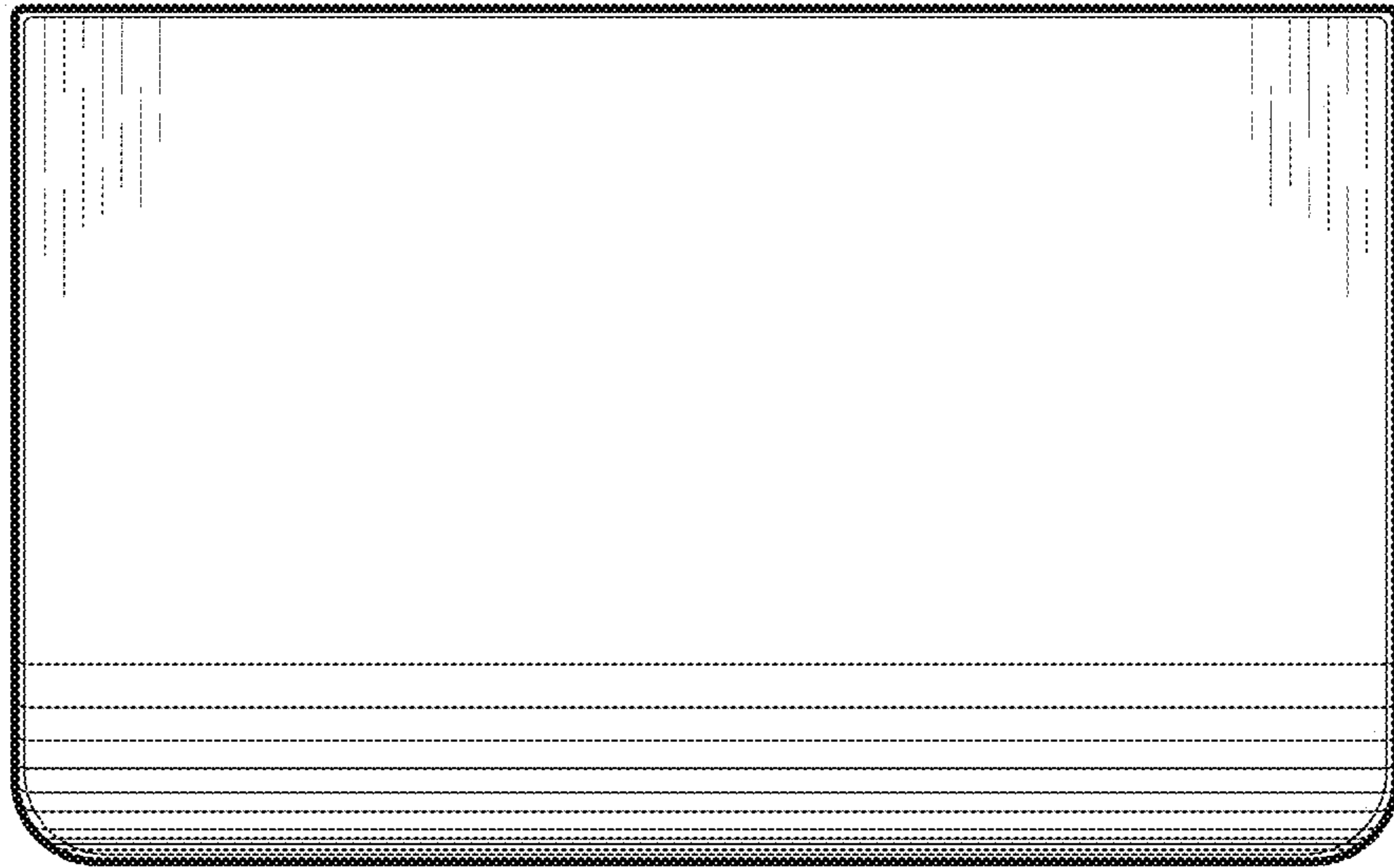


FIG.7