



US00D969054S

(12) **United States Design Patent**
Persechino et al.

(10) **Patent No.:** **US D969,054 S**
(45) **Date of Patent:** **** Nov. 8, 2022**

(54) **SPACE VEHICLE**
(71) Applicant: **Centro Italiano Ricerche Aerospaziali,**
Capua (IT)

D743,319 S * 11/2015 Kapitan D12/323
10,155,598 B2 * 12/2018 Clay B64G 1/14
D844,536 S * 4/2019 Pirklbauer D12/319
D942,921 S * 2/2022 LeGrand, III D12/319

(72) Inventors: **Giuseppe Persechino,** Capua (IT);
Vincenzo Rosario Baraniello, Capua
(IT); **Roberto Borsa,** Capua (IT)

OTHER PUBLICATIONS

(73) Assignee: **CENTRO ITALIANO RICERCHE**
AEROSPAZIALI, Capua (IT)

KC Yan. "SERA Space plane." Art Station., Jun. 24, 2016 [online],
[retrieved on Jun. 24, 2022]. Retrieved from the Internet <URL:
<https://www.artstation.com/artwork/IIV95>>.*

(**) Term: **15 Years**

William Louis McDonald. "General Composite of the Roswell UFO
Blueprint Version #2: Almost There—But No Cigar!." Art Station.,
Jun. 24, 2021 [online], [retrieved on Jun. 24, 2022]. Retrieved from
the Internet <URL: <https://www.artstation.com/artwork/aYegw95>>.*

(21) Appl. No.: **35/511,572**

Rob Waugh. "New hypersonic passenger plane could blast from
London to Australia in three hours." Metro., Dec. 14, 2016 [online],
[retrieved on Jun. 24, 2022]. Retrieved from the Internet <URL:
<https://metro.co.uk/2016/12/14/new-hypersonic-passenger-plane-could-blast-from-london-to-australia-in-three-hours-6321710/>>.*

(22) Filed: **Sep. 16, 2020**

(80) **Hague Agreement Data**

Int. Filing Date: **Sep. 16, 2020**
Int. Reg. No.: **DM/210447**
Int. Reg. Date: **Sep. 16, 2020**
Int. Reg. Pub. Date: **Mar. 19, 2021**

* cited by examiner

(51) **LOC (13) Cl.** **12-07**

Primary Examiner — Darlington Ly

(52) **U.S. Cl.**
USPC **D12/319**

(74) *Attorney, Agent, or Firm* — Thomas | Horstmeyer,
LLP

(58) **Field of Classification Search**
USPC D12/16.1, 319–345; D21/448
CPC B64C 1/062; B64C 23/00; B64C 27/08;
B64C 29/00; B64C 39/00; B64C 39/024;
A63H 17/36
See application file for complete search history.

(57) **CLAIM**

The ornamental design for a space vehicle, as shown and
described.

(56) **References Cited**

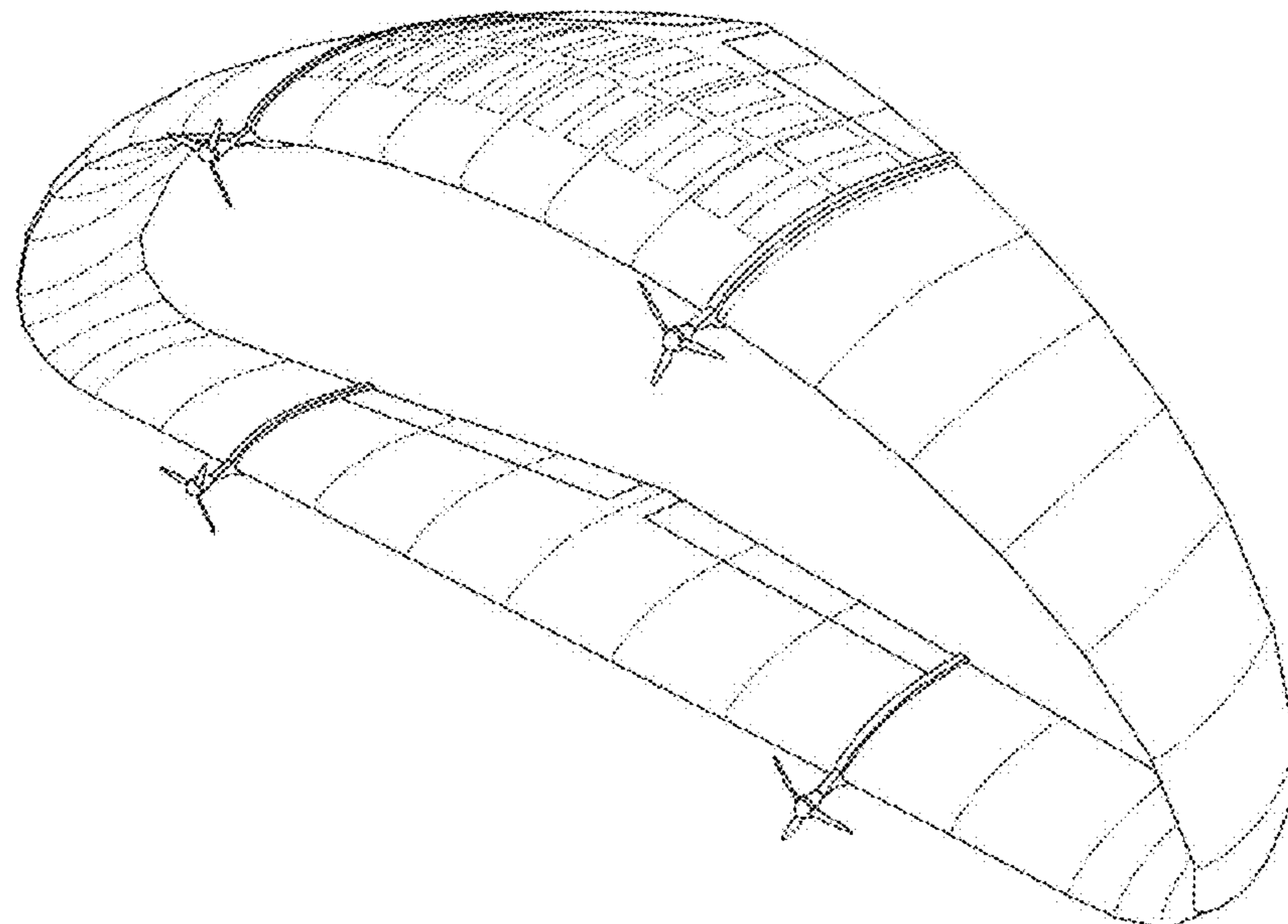
U.S. PATENT DOCUMENTS

D268,192 S * 3/1983 Lucas, Jr. D21/451
D281,086 S * 10/1985 Norton D21/451
D307,773 S * 5/1990 Colton D21/447

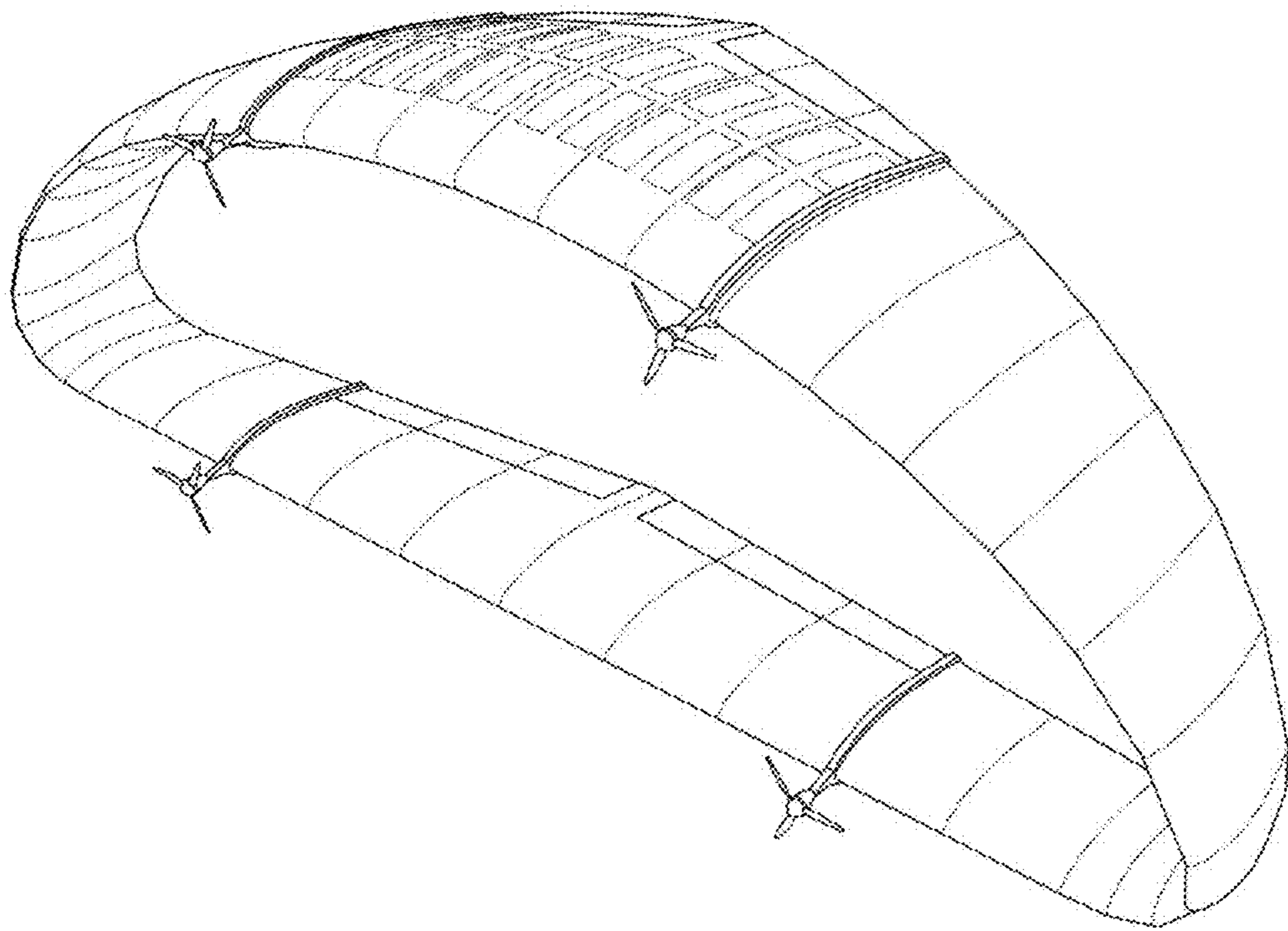
DESCRIPTION

1.1 is a front perspective view of a space vehicle embodying
our new design;
1.2 is a front elevation view thereof;
1.3 is a rear elevation view thereof;
1.4 is a right side elevation view thereof;
1.5 is a left side elevation view thereof;
1.6 is a top plan view thereof; and
1.7 is a bottom plan view thereof.

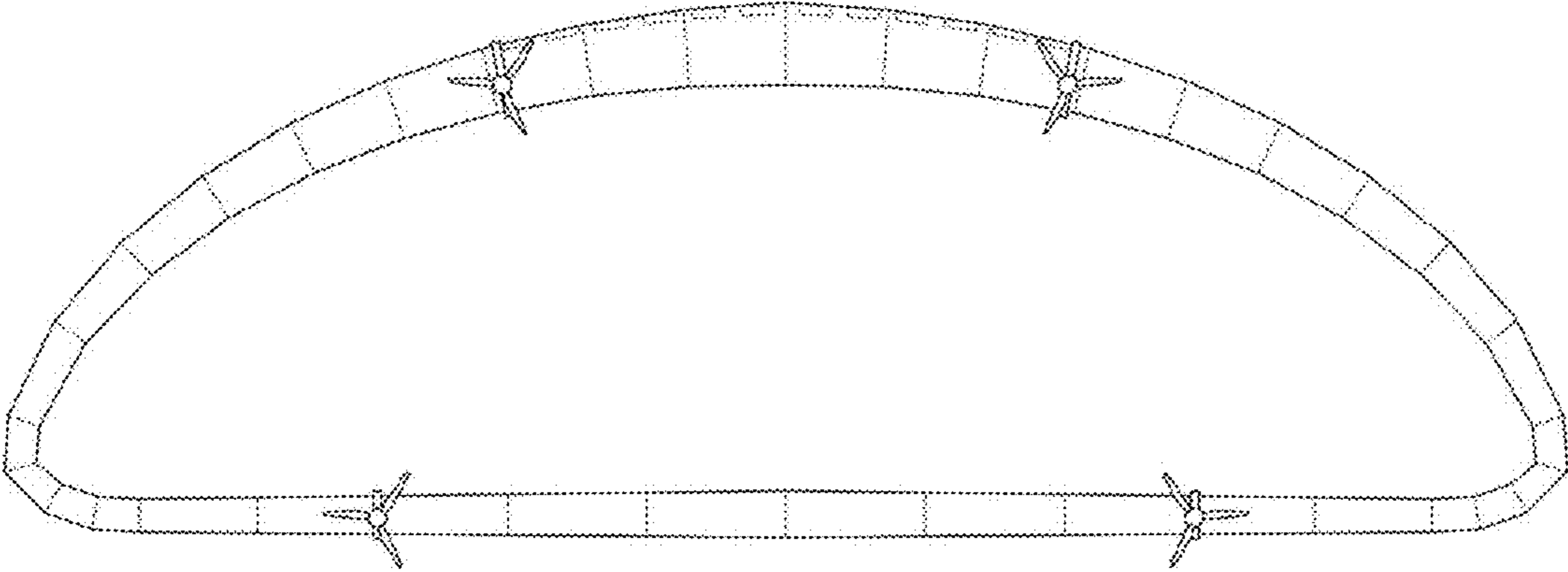
1 Claim, 7 Drawing Sheets



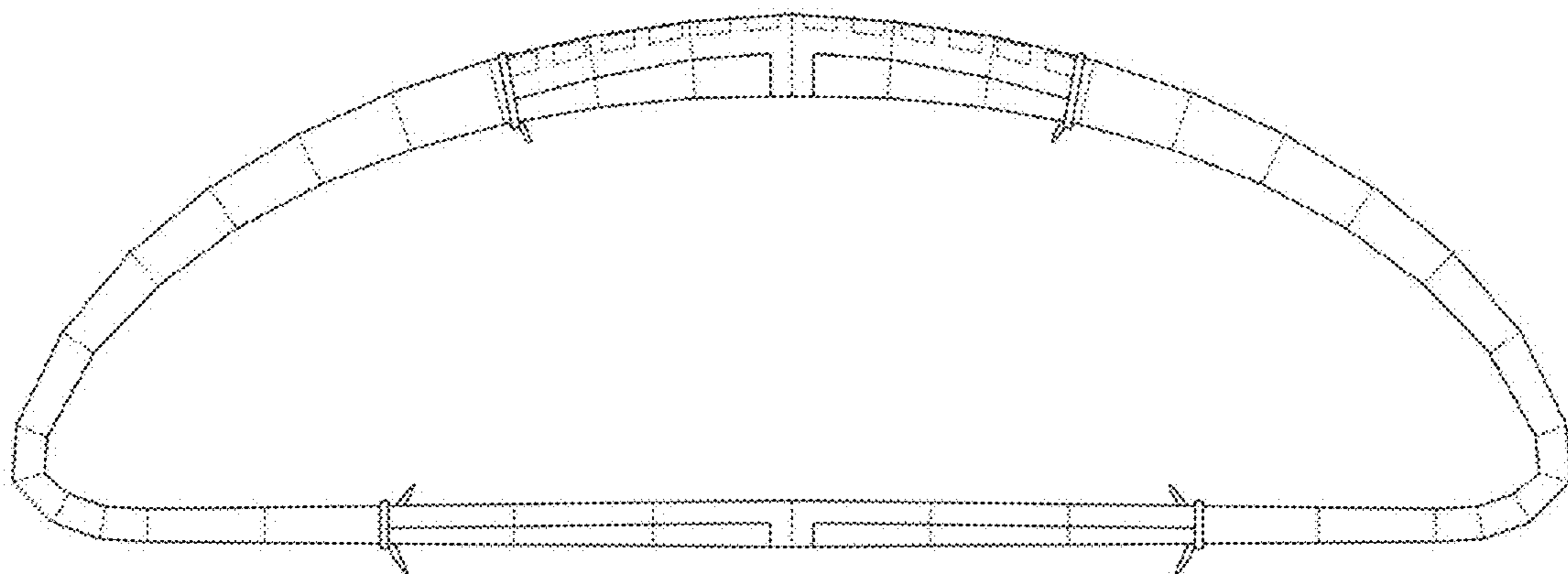
1.1



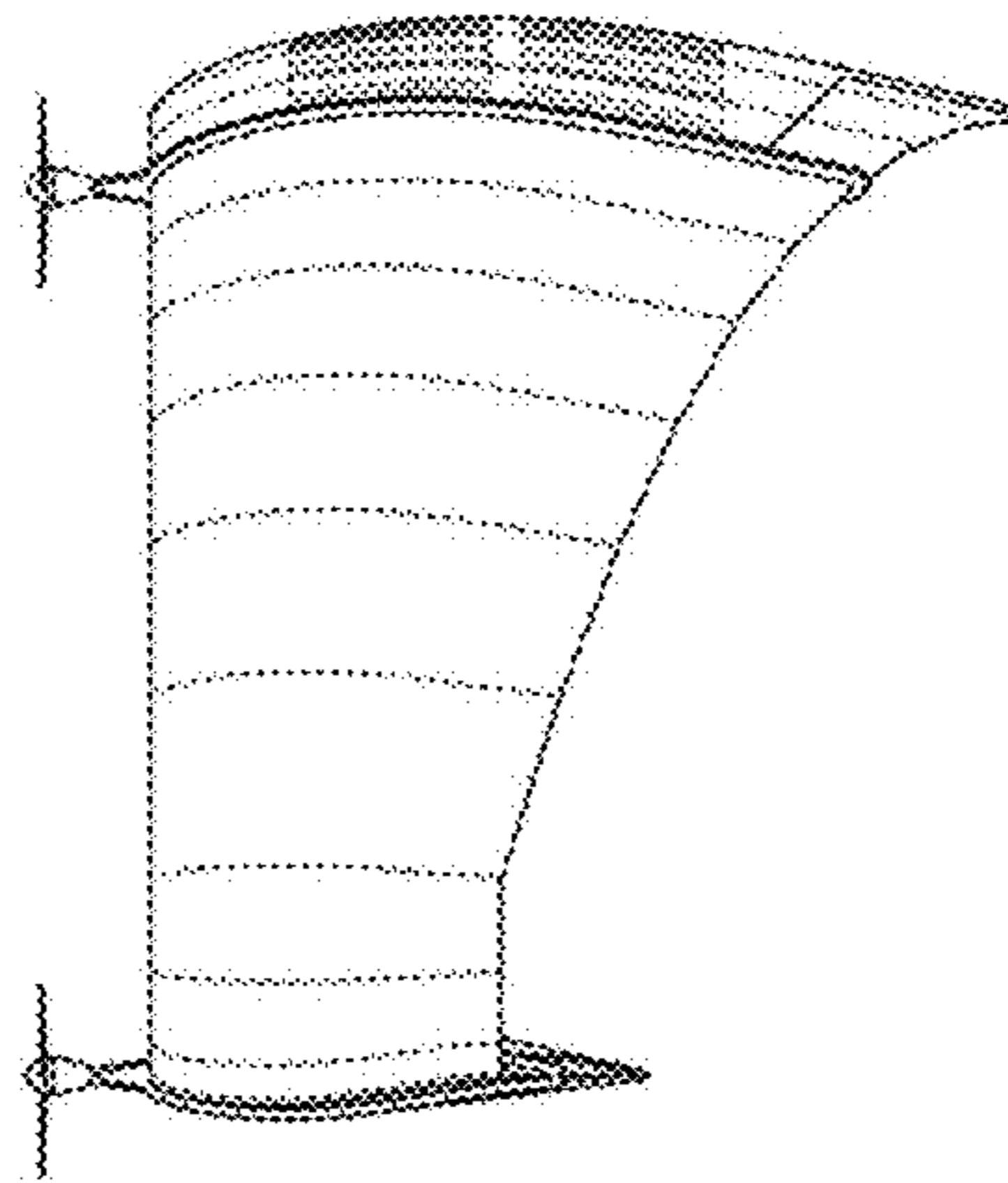
1.2



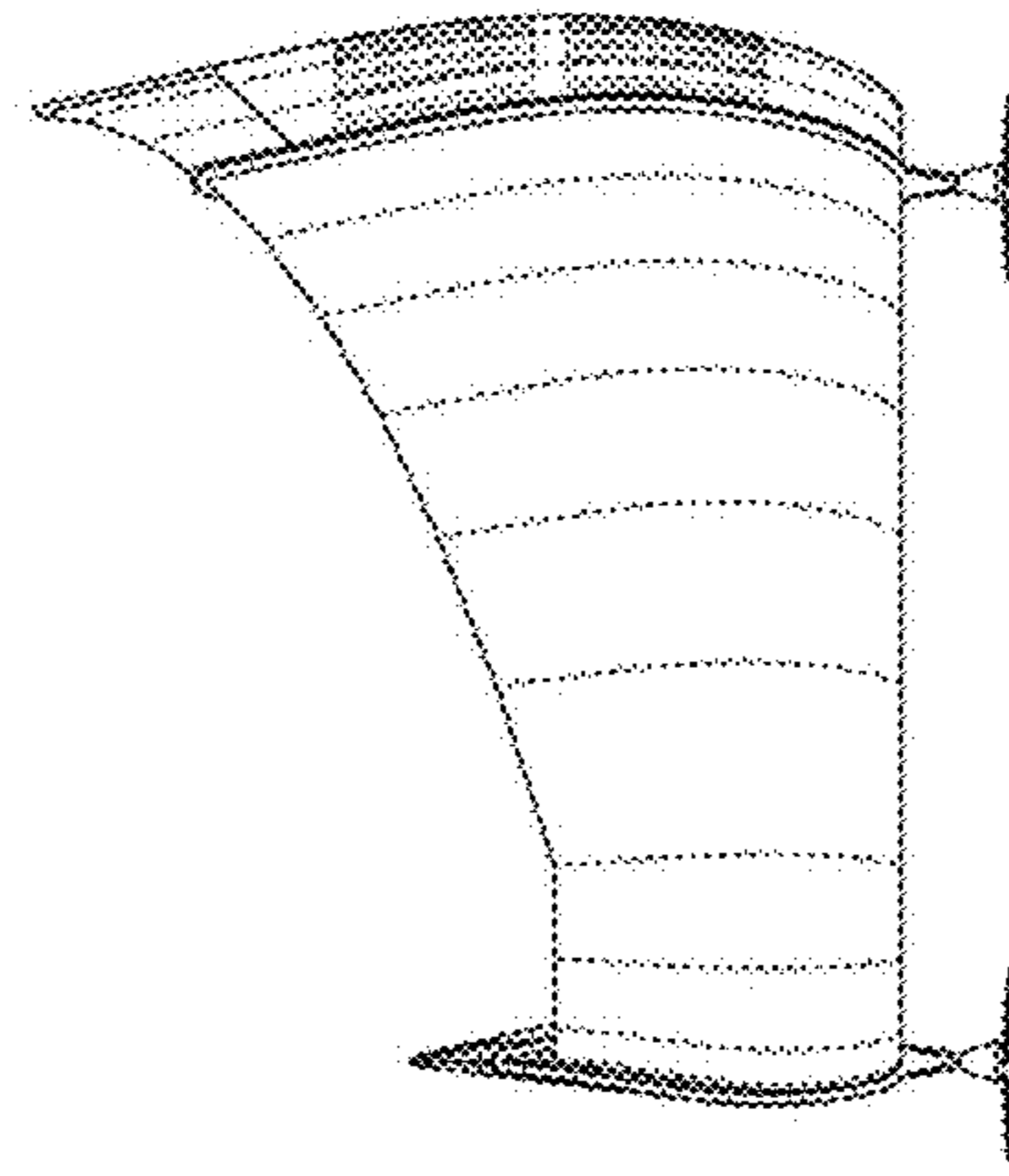
1.3



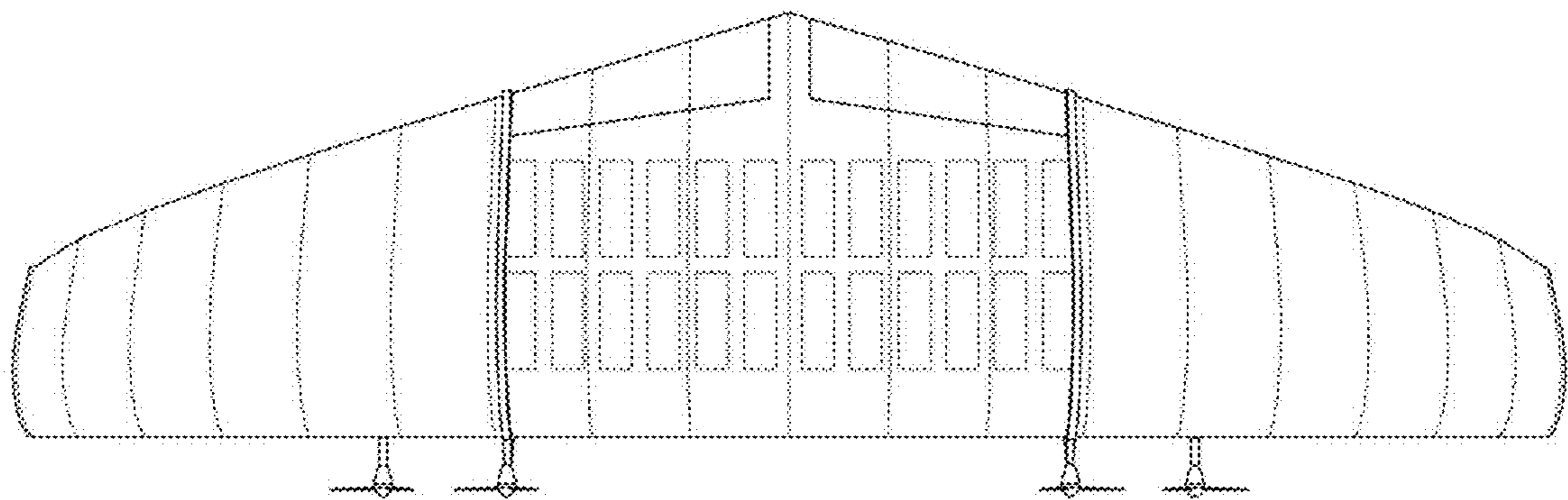
1.4



1.5



1.6



1.7

