

US00D969053S

(12) **United States Design Patent**  
**Kendall**

(10) **Patent No.:** **US D969,053 S**

(45) **Date of Patent:** **\*\* Nov. 8, 2022**

(54) **BOAT HULL**

(71) Applicant: **OPTIMA PROJECTS LTD,**  
Lymington (GB)

(72) Inventor: **David Kendall,** Lymington (GB)

(\*\*) Term: **15 Years**

(21) Appl. No.: **35/512,142**

(22) Filed: **Jun. 24, 2021**

(80) **Hague Agreement Data**

Int. Filing Date: **Jun. 24, 2021**

Int. Reg. No.: **DM/215064**

Int. Reg. Date: **Jun. 24, 2021**

Int. Reg. Pub. Date: **Jul. 9, 2021**

(51) **LOC (13) Cl.** ..... **12-06**

(52) **U.S. Cl.**  
USPC ..... **D12/312**

(58) **Field of Classification Search**  
USPC ..... D12/300, 310-314; D21/542-544  
CPC ..... B63B 1/10; B63B 2001/201-209  
See application file for complete search history.

(56) **References Cited**

**U.S. PATENT DOCUMENTS**

D301,573 S \* 6/1989 Fuller ..... D12/310  
D355,881 S \* 2/1995 Carlson ..... D12/310

D416,852 S \* 11/1999 Clarke ..... D12/310  
D595,204 S \* 6/2009 Robinson ..... D12/310  
8,707,880 B2 \* 4/2014 Armstrong ..... B63B 39/06  
114/61.1  
9,238,499 B1 \* 1/2016 Viviani ..... B63H 1/26  
D811,983 S \* 3/2018 Read ..... B63B 39/06  
D12/312  
D872,003 S \* 1/2020 Zolotuhin ..... B63J 2/06  
D12/310  
D895,525 S \* 9/2020 Lecointre ..... D12/312  
2012/0137945 A1 \* 6/2012 Armstrong ..... B63J 2/06  
114/72

\* cited by examiner

*Primary Examiner* — Joseph Kukella

(57) **CLAIM**

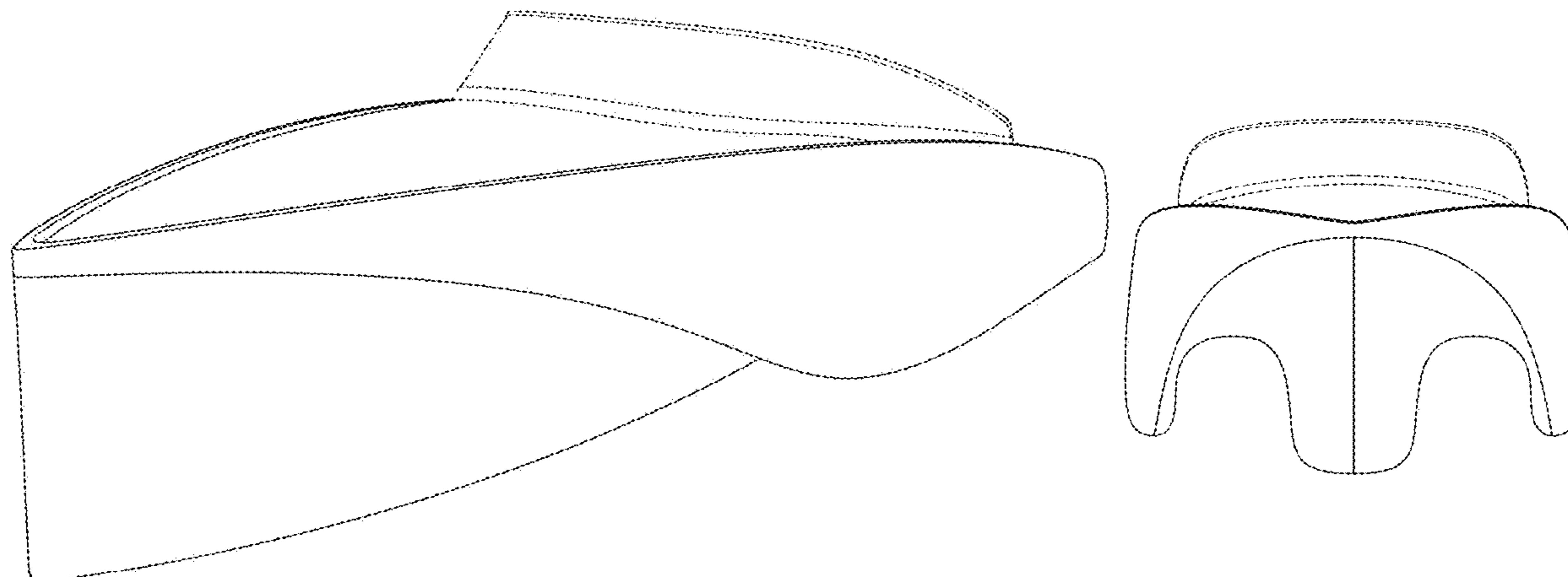
The ornamental design for a boat hull, as shown and described.

**DESCRIPTION**

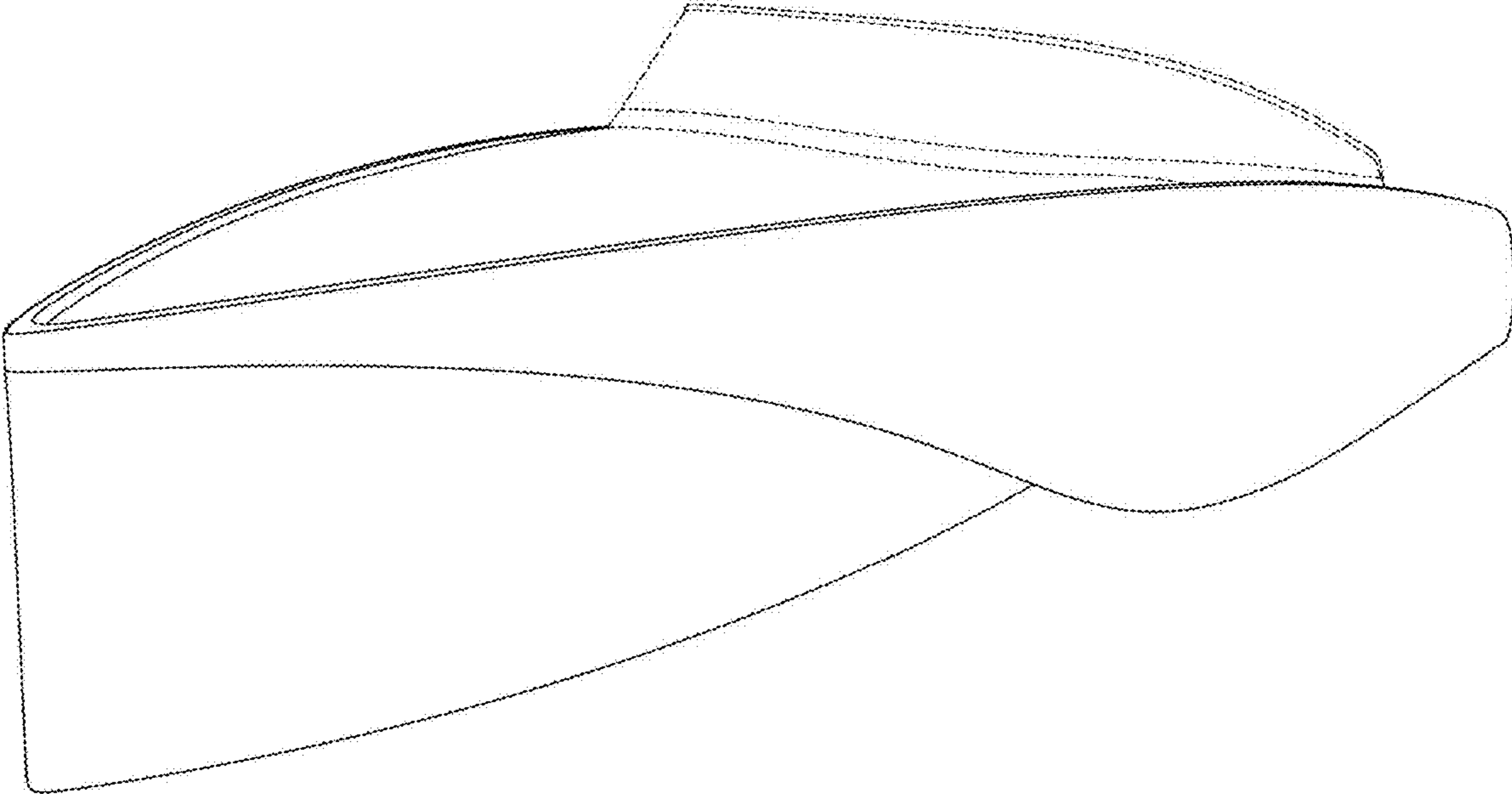
- 1. Boat hull
- 1.1 : Perspective
- 1.2 : Front
- 1.3 : Left
- 1.4 : Right
- 1.5 : Back
- 1.6 : Top
- 1.7 : Bottom

In the drawings, the broken lines depict environmental subject matter that forms no part of the claimed design.

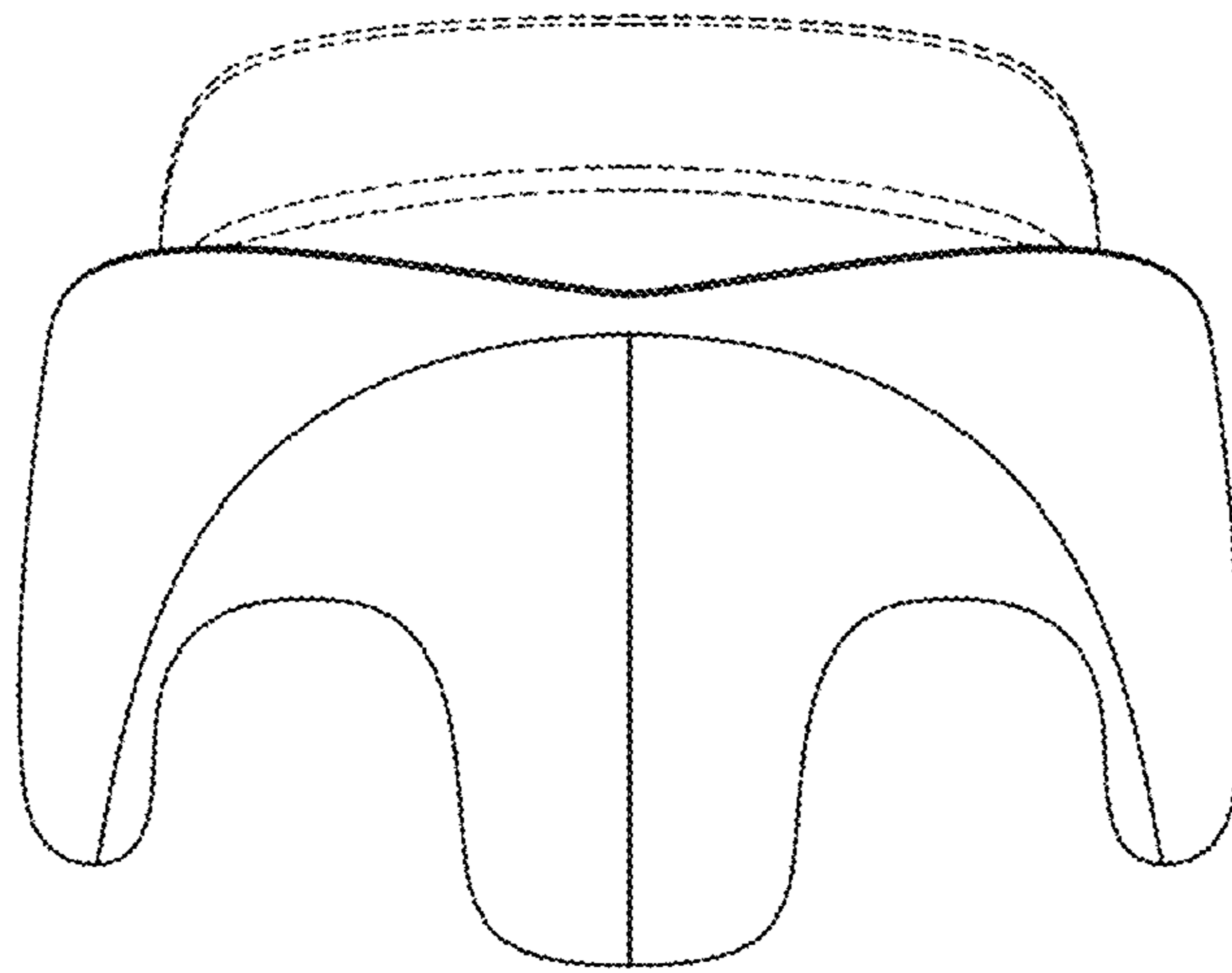
**1 Claim, 7 Drawing Sheets**



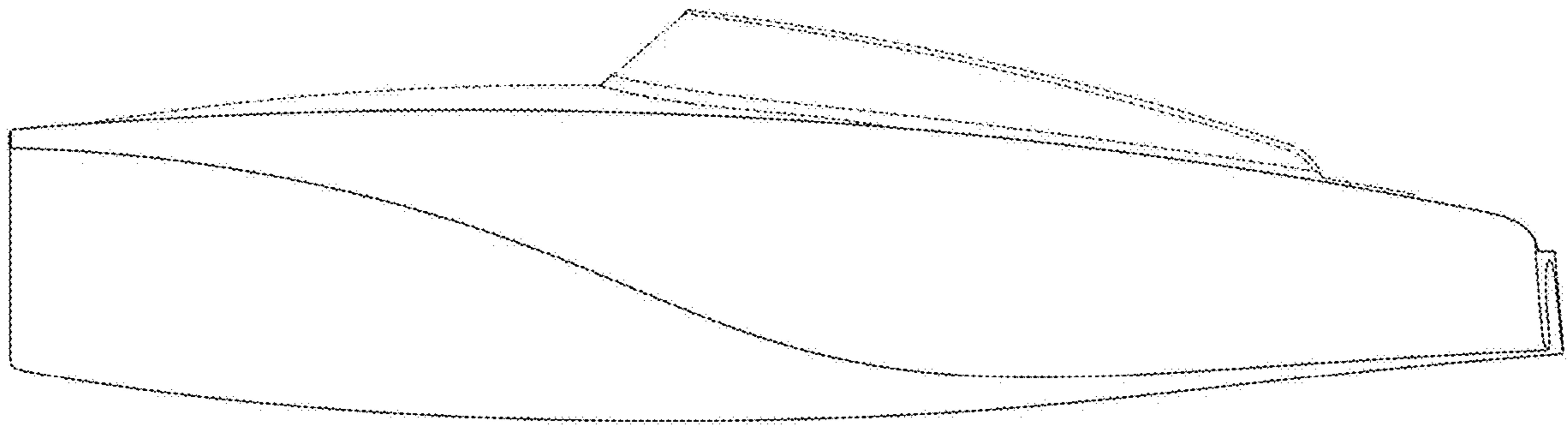
1.1



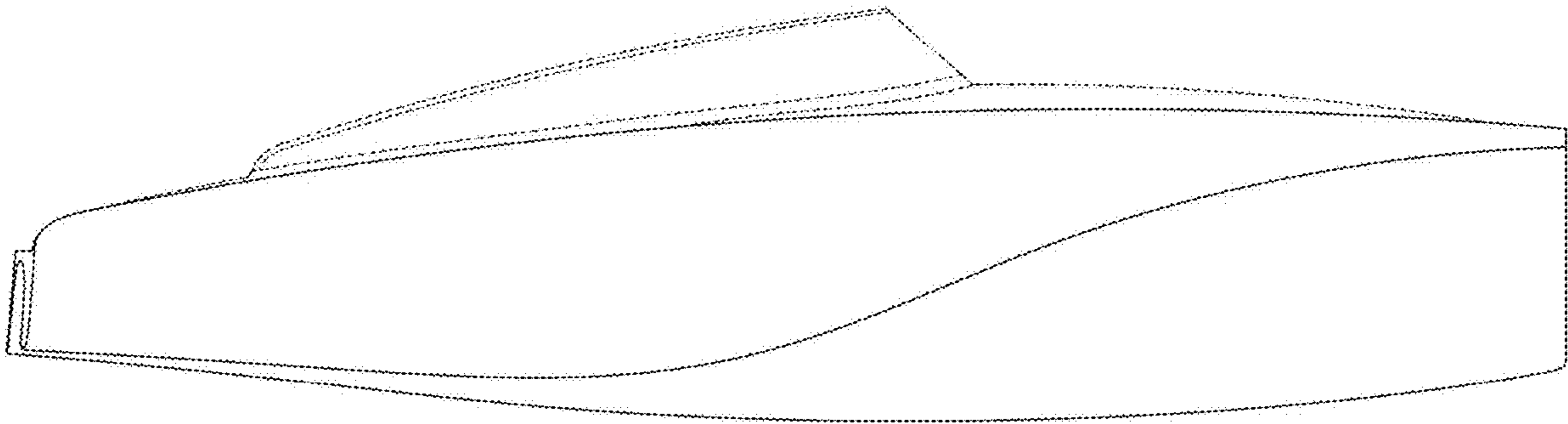
1.2



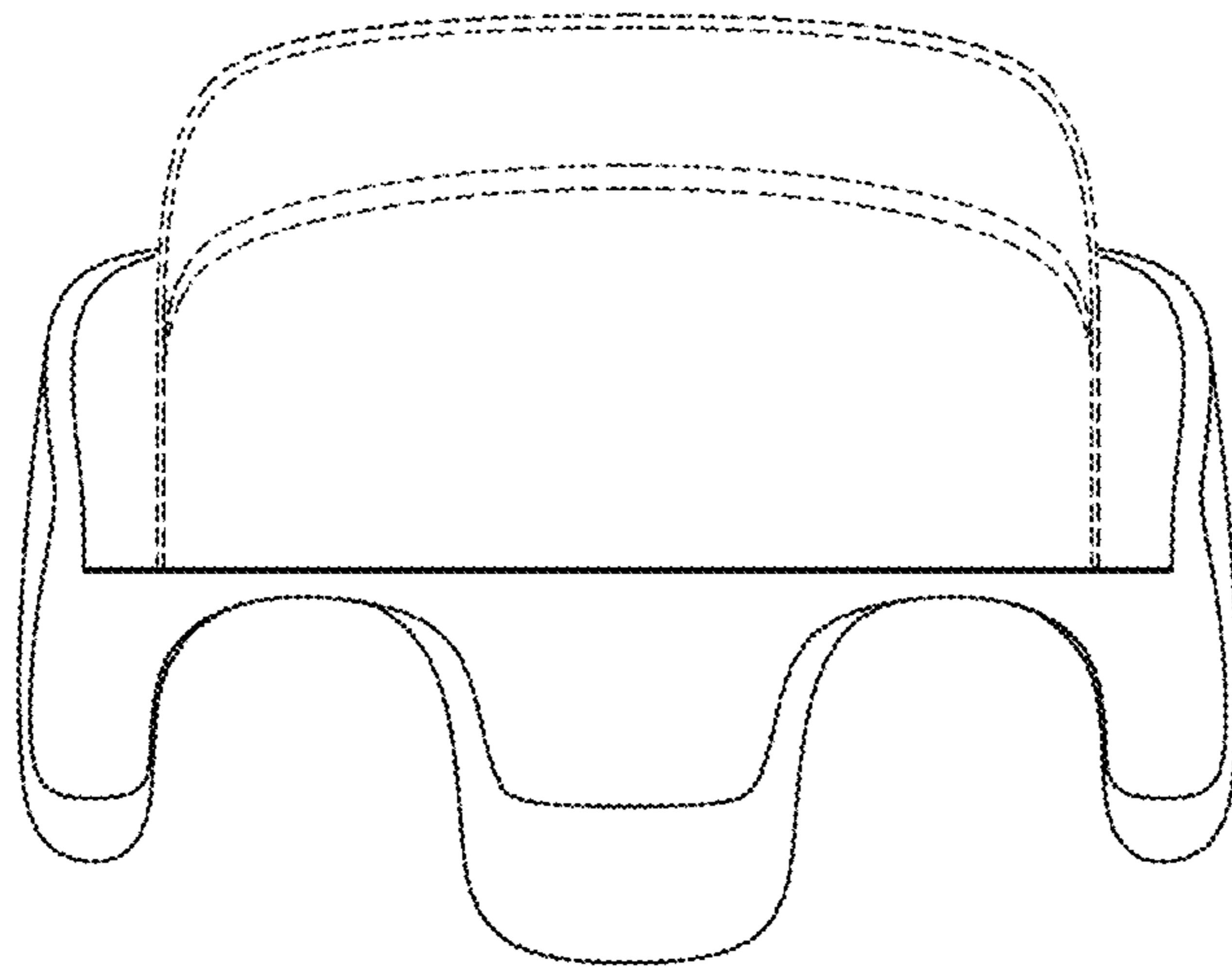
1.3



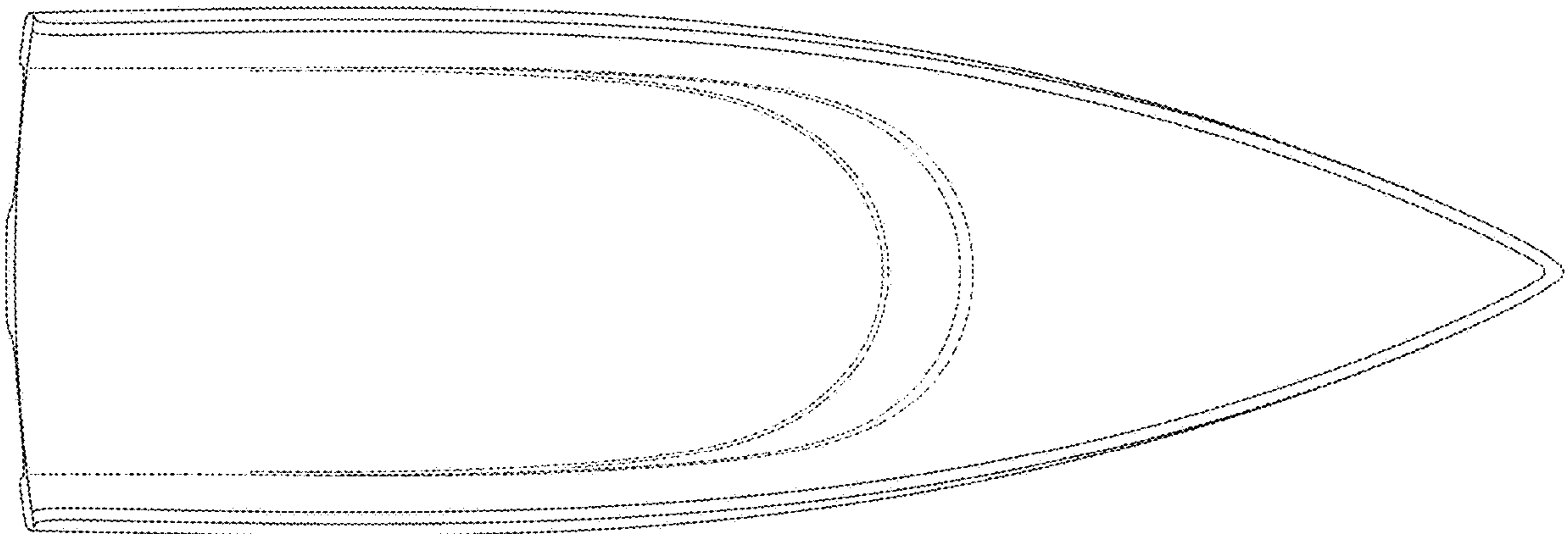
1.4



1.5



1.6



1.7

