



US00D969050S

(12) **United States Design Patent** (10) **Patent No.:** **US D969,050 S**
Kirtland (45) **Date of Patent:** **** Nov. 8, 2022**

(54) **VEHICLE BUMPER BRACE**

FOREIGN PATENT DOCUMENTS

(71) Applicant: **Ralph Preston Kirtland**, Staunton, VA
(US)

CN 307141568 * 3/2022
JP D1495679 * 4/2014
KR 301017346.0000 * 8/2019
KR 3020200000337 * 3/2020

(72) Inventor: **Ralph Preston Kirtland**, Staunton, VA
(US)

OTHER PUBLICATIONS

(**) Term: **15 Years**

ECOTRIC For 2010-2018 Dodge Ram 2500 3500 4500 5500 Replacement Front Bumper Bracket Kit Front Rig, available in Amazon.com, date first available Feb. 1, 2020 [online], [site visited Aug. 23, 2022], Available from the internet URL: https://www.amazon.com/ECOTRIC-2010-2018-Replacement-Bracket-68064329AD/dp/B084DQP24W/ref=sr_.
Garage-Pro Front Bumper Bracket Compatible with 1999-2002 Chevrolet Silverado 1500 / GMC Sierra 1500, , available in Amazon.com, date first available Dec. 12, 2020 [online], [site visited Aug. 23, 2022], Available from the internet URL: <https://www.amazon.com/Garage-Pro-Compatible-1999-2002-Chevrolet-Silverado/dp/B0948KT>.*

(21) Appl. No.: **29/760,704**

(22) Filed: **Dec. 3, 2020**

(51) **LOC (13) Cl.** **12-16**

(52) **U.S. Cl.**
USPC **D12/223**

(58) **Field of Classification Search**
USPC D12/106, 114, 117, 159, 172, 223, 400,
D12/406, 412, 414; D8/349, 354
CPC B60R 19/00; B60R 19/02; B60R 19/24;
B60R 19/52; B60R 19/56; B60R
2019/026; B60R 2019/247; B60R
2019/522; B60R 2019/527; B60R
2019/1813; B60R 2019/1833; B60R
2019/1886
See application file for complete search history.

* cited by examiner

Primary Examiner — Darlington Ly
Assistant Examiner — D. Ryan Tisdale

(57) **CLAIM**

The ornamental design for a vehicle bumper brace, as shown and described.

DESCRIPTION

(56) **References Cited**

U.S. PATENT DOCUMENTS

D735,632 S * 8/2015 Beidler D8/349
D883,069 S * 5/2020 Fannesbeck D8/336
D891,307 S * 7/2020 Fernandez D12/114
D898,530 S * 10/2020 Guest D8/16
D906,791 S * 1/2021 Harders D8/394
D909,422 S * 2/2021 Carter D15/28
D913,184 S * 3/2021 Kirtland D12/223
D917,374 S * 4/2021 Tamagni D12/400
D918,323 S * 5/2021 Birkemeier D16/250
2021/0276505 A1 * 9/2021 Shen B60R 19/52

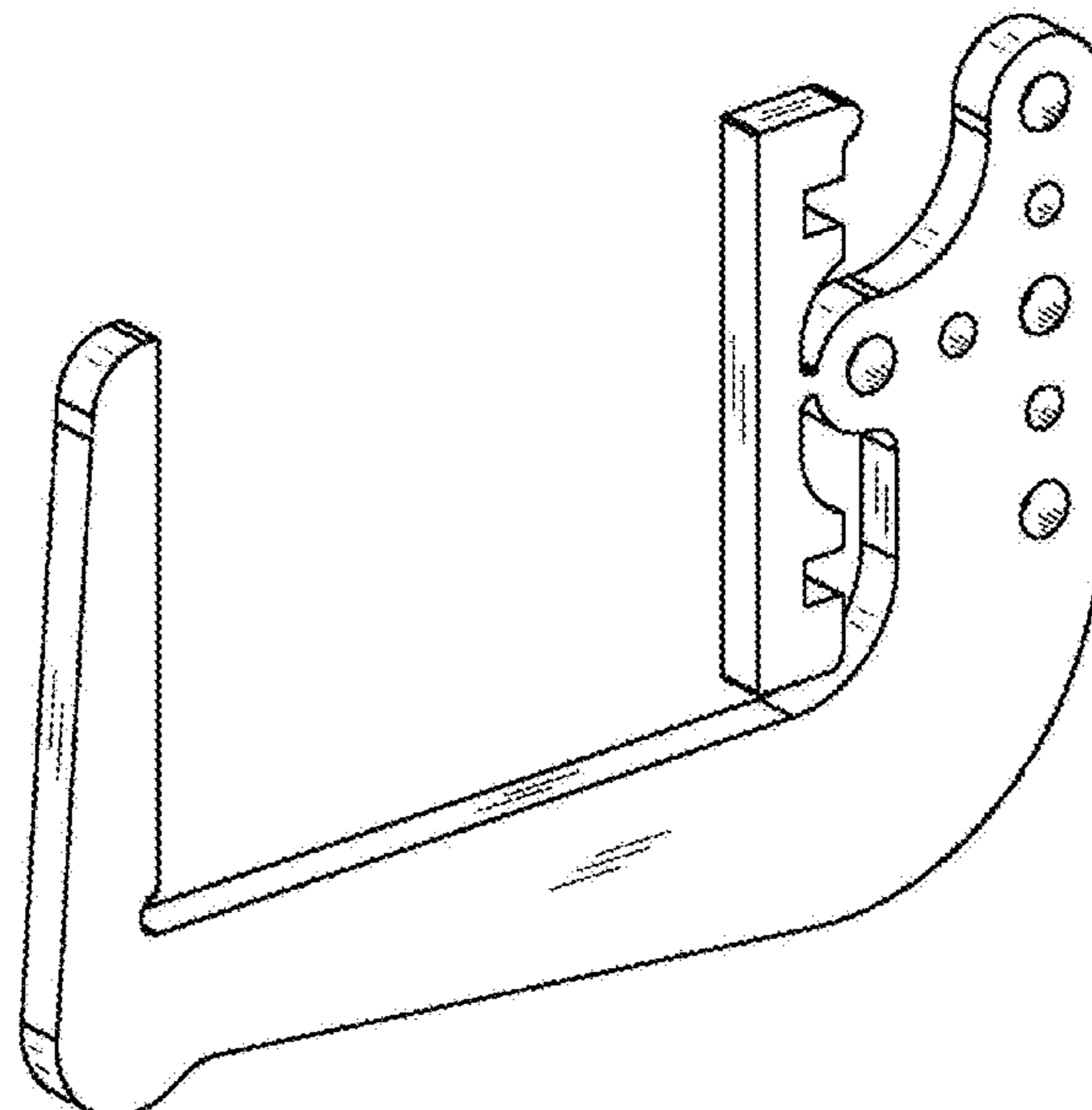
FIG. 1 is a side view of a vehicle bumper brace showing my new design.

FIG. 2 is a top, right side perspective view of said vehicle bumper brace; and,

FIG. 3 is a bottom, right side of a vehicle bumper brace shown with environment.

The broken line showing portions of a vehicle frame are included for the purpose of illustrating environmental structure and forms no part of the claimed design.

1 Claim, 2 Drawing Sheets



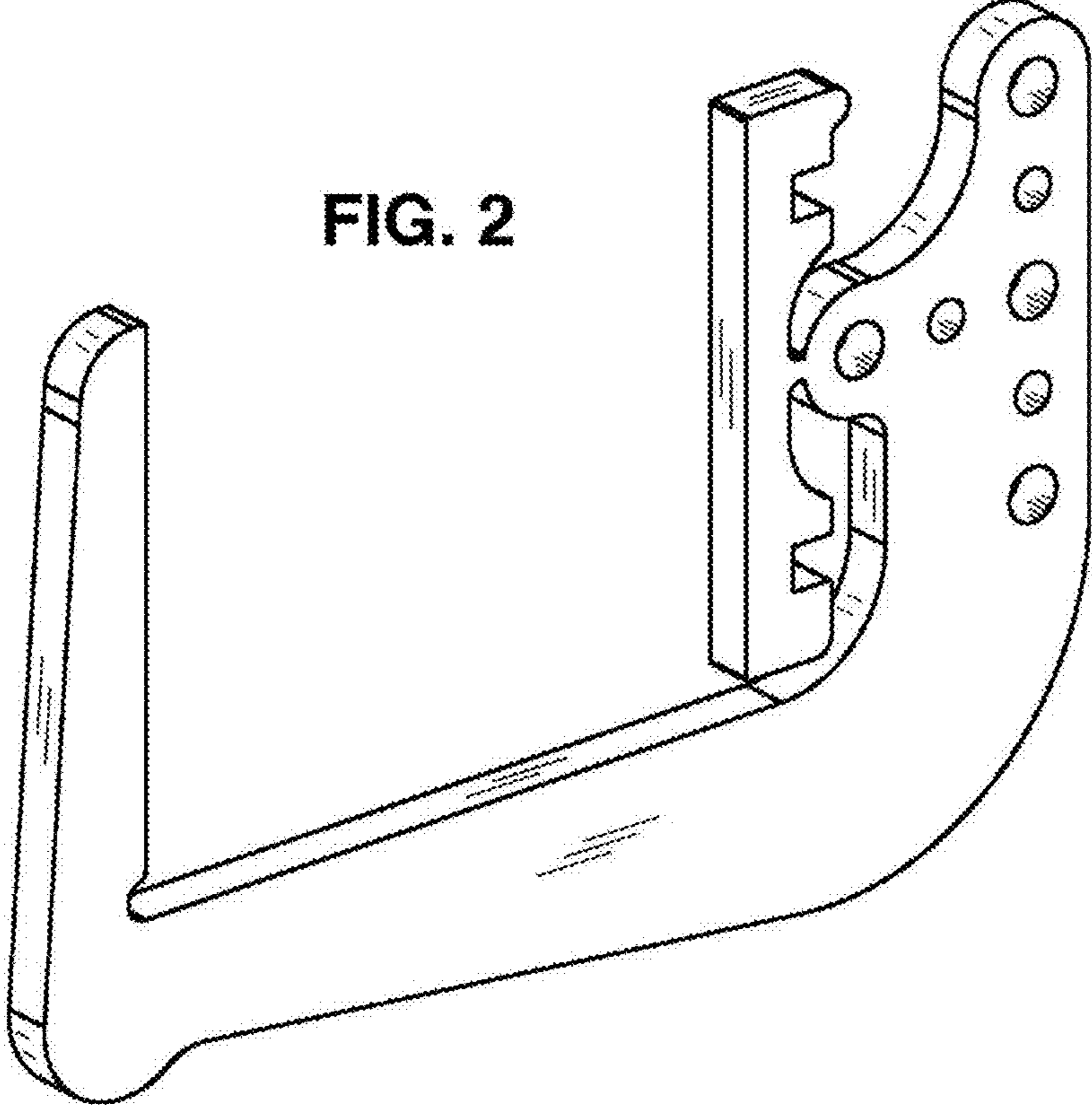
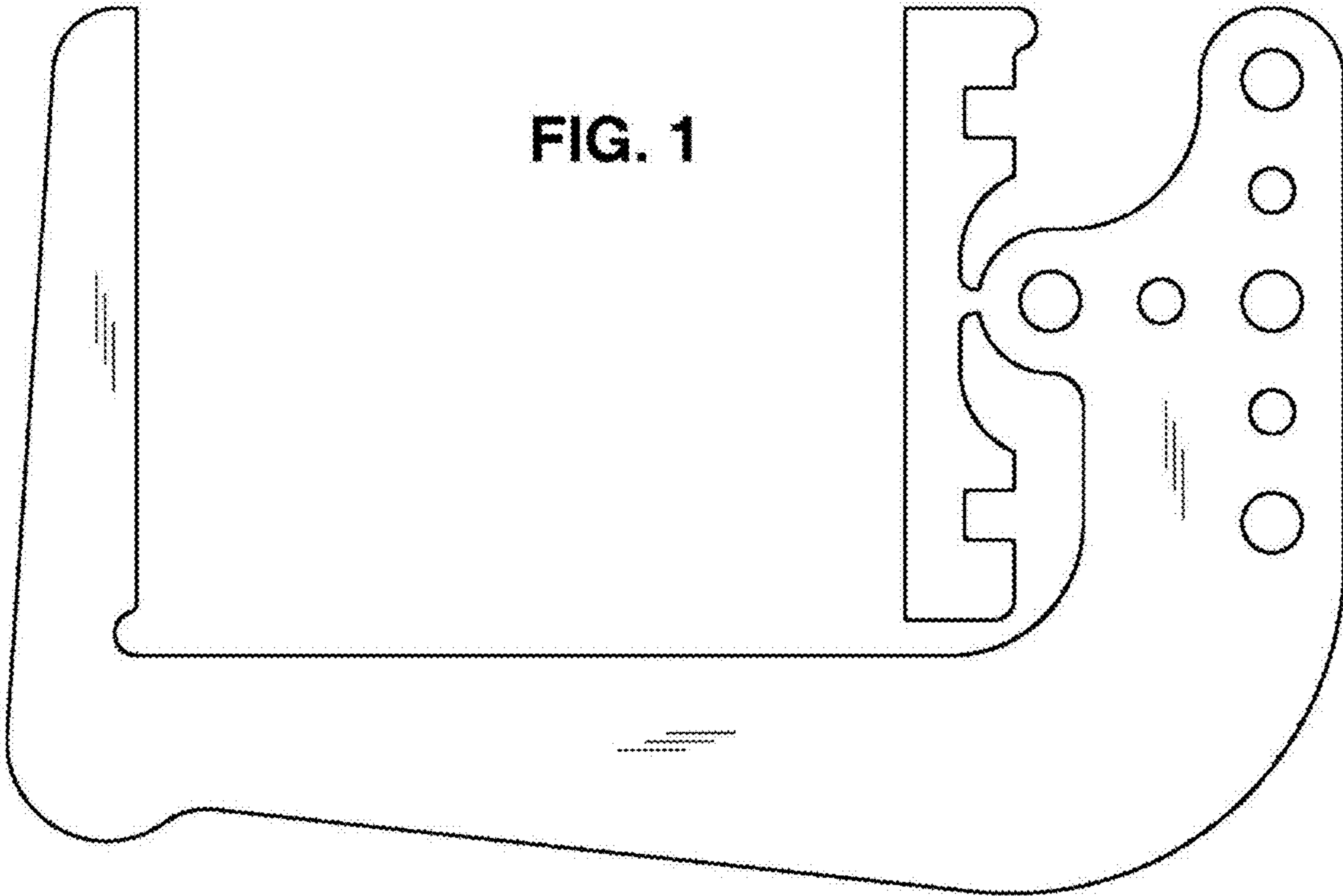


FIG. 3

