

US00D969049S

(12) **United States Design Patent** (10) **Patent No.:** **US D969,049 S**
He (45) **Date of Patent:** **** Nov. 8, 2022**

(54) **VEHICLE TAILGATE PROTECTIVE PAD**

(71) Applicant: **Changqing He**, Hangzhou (CN)

(72) Inventor: **Changqing He**, Hangzhou (CN)

(**) Term: **15 Years**

(21) Appl. No.: **29/749,699**

(22) Filed: **Sep. 8, 2020**

(51) **LOC (13) Cl.** **12-16**

(52) **U.S. Cl.**
USPC **D12/196**

(58) **Field of Classification Search**
USPC D12/401, 402, 403, 404, 405
CPC B60R 7/08; B60R 7/16; B60R 5/04; B60R
5/047; B62D 33/08

See application file for complete search history.

(56) **References Cited**

U.S. PATENT DOCUMENTS

8,061,761	B1 *	11/2011	Sierra	G09F 21/048 296/136.01
D669,839	S *	10/2012	Valenta	D12/403
2010/0019529	A1 *	1/2010	Alston	B60J 7/141 296/100.09
2013/0033061	A1 *	2/2013	Yue	B60J 7/10 296/100.18
2013/0180179	A1 *	7/2013	Baratin	B32B 1/04 49/490.1
2013/0220185	A1 *	8/2013	Valenta	B65D 65/10 108/90
2016/0355078	A1 *	12/2016	Williamson	B60J 7/198
2017/0101138	A1 *	4/2017	Povinelli	B60J 7/0573
2017/0355317	A1 *	12/2017	Rossi	B60R 11/06
2018/0009363	A1 *	1/2018	Loew	B60J 7/067
2018/0170164	A1 *	6/2018	Wingard	B32B 7/08
2018/0222392	A1 *	8/2018	Xiong	B60R 5/045
2020/0122643	A1 *	4/2020	Loew	B60R 7/08

OTHER PUBLICATIONS

Vehicle and Organizer. (Design—© Questel) orbit.com. [Online PDF compilation of references] 27 pgs. Print Dates Range Jul. 13, 2021-Nov. 23, 2020 [Retrieved Jun. 28, 2022].*

VZCY Upgrade Outdoor Tailgate Pad. Jun. 3, 2021. Amazon. https://www.amazon.com/VZCY-Waterproof-Protection-Shockproof-Multifunctional/dp/B096KCX6CD/ref=asc_df_B096KCX6CD/?tag=hyprod-20&linkCode=df0&hvadid=533467228794&hvpos=&hvnetw=g&hvrand=2332939714449749049&hvpon=&hvptwo=&hvqmt=&hvdev=c&hvdvcmdl=&hvlocint=&hvlo.*

Mercars Tailgate Pad with Two Tool Pockets. Amazon. Jul. 22, 2020. https://www.amazon.com/dp/B08DFRXZLK/ref=sspa_dk_detail_0?pd_rd_i=B08DFRXZLK&pd_rd_w=Tnbwj&content-id=amzn1.sym.f9710d1d-8ae7-460f-b546-5e6e42f82a&pf_rd_p=f9710d1d-8ae7-460f-b546-5e6e42f82a&pf_rd_r=GKGD6VFP13SPF7ZW84H9&pd_rd_wg=TaPZp&pd_rd_r=d3ca.*

Vevor Tailgate Pad for Bikes, Tailgate Protection Cover. Jul. 28, 2021. Amazon. https://www.amazon.com/dp/B098JQVD8M/ref=sspa_dk_detail_1?pf_rd_p=f9710d1d-8ae7-460f-b546-5e6e42f82a&pf_rd_r=EJCFMNDMC21QWEFY41BG&pd_rd_wg=BjTKN&pd_rd_w=717ql&content-id=amzn1.sym.f9710d1d-8ae7-460f-b546-5e6e42f82a&pd_rd_r=f94e1e7-.*

* cited by examiner

Primary Examiner — George D. Kirschbaum

Assistant Examiner — Suzanne E Tisdell

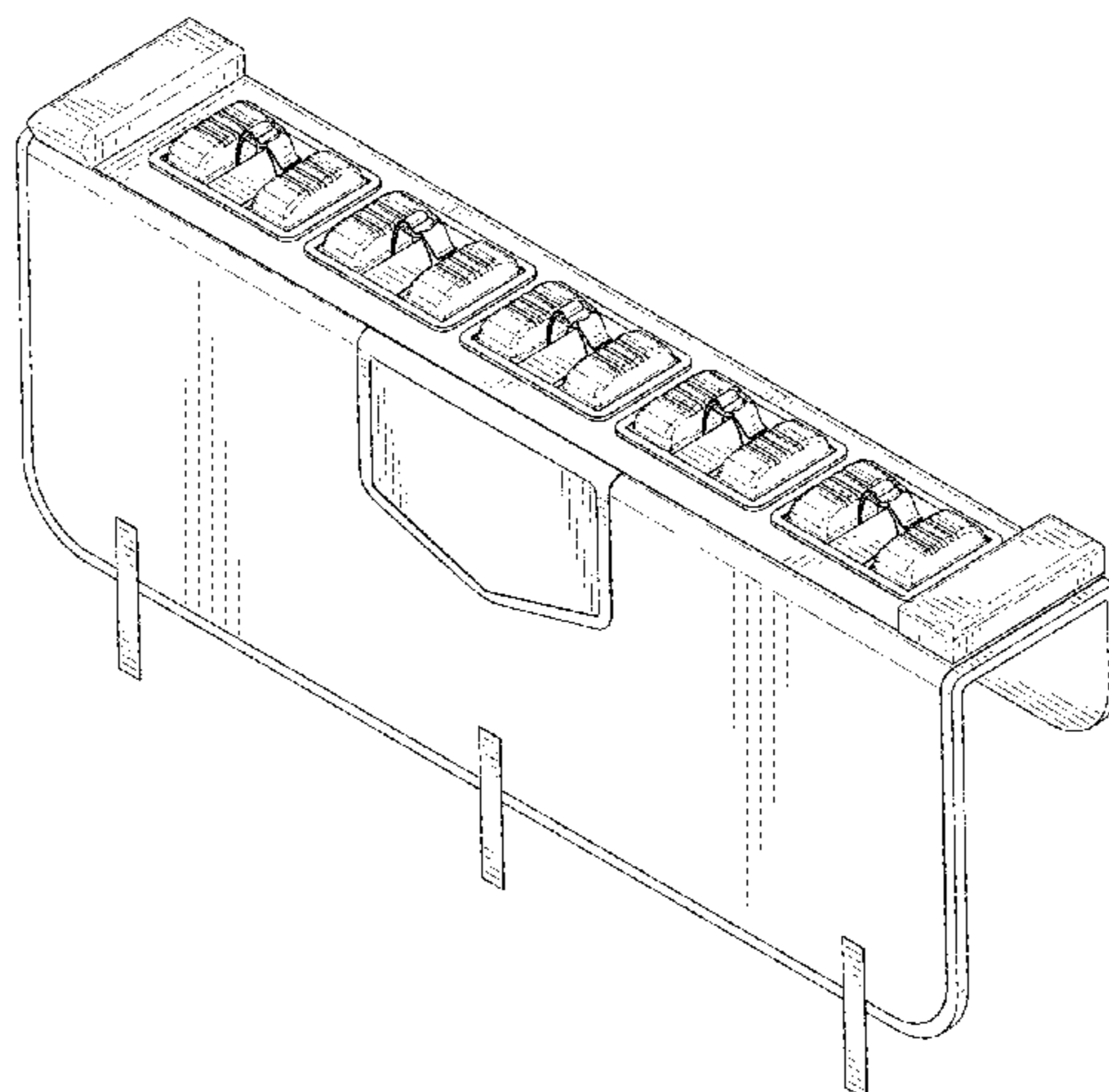
(57) **CLAIM**

The ornamental design for a vehicle tailgate protective pad, as shown and described.

DESCRIPTION

FIG. 1 is a front and top perspective view of a vehicle tailgate protective pad, showing my new design; FIG. 2 is a rear and top perspective view thereof; FIG. 3 is a front elevational view thereof; FIG. 4 is a rear elevational view thereof; FIG. 5 is a left side elevational view thereof; FIG. 6 is a right side elevational view thereof; FIG. 7 is a top plan view thereof; FIG. 8 is a bottom plan view thereof; FIG. 9 is a perspective view thereof, showing the vehicle tailgate protective pad in an unfolded position; and, FIG. 10 is a perspective view thereof, showing keys removed from the vehicle tailgate protective pad.

1 Claim, 10 Drawing Sheets



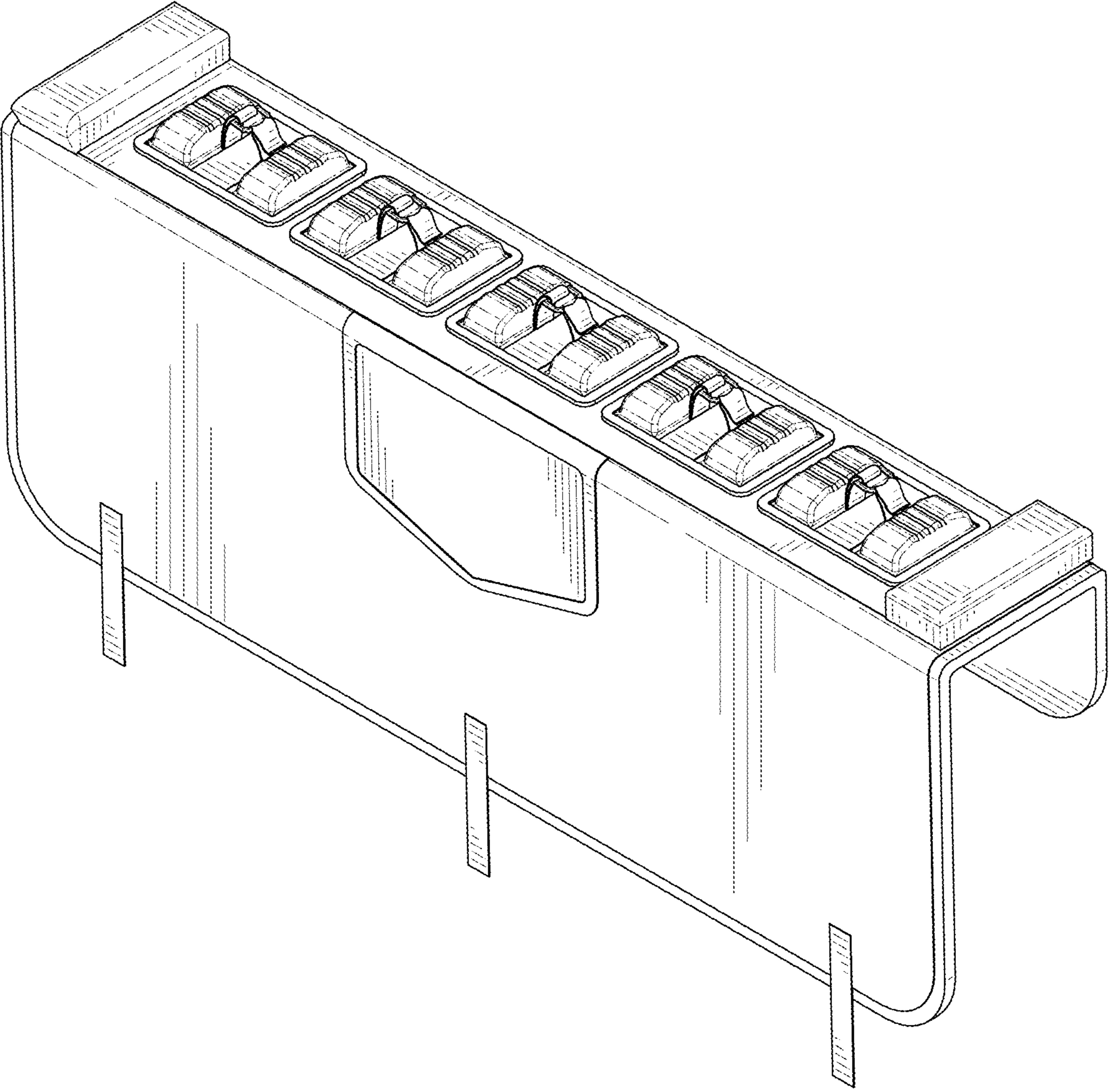


FIG. 1

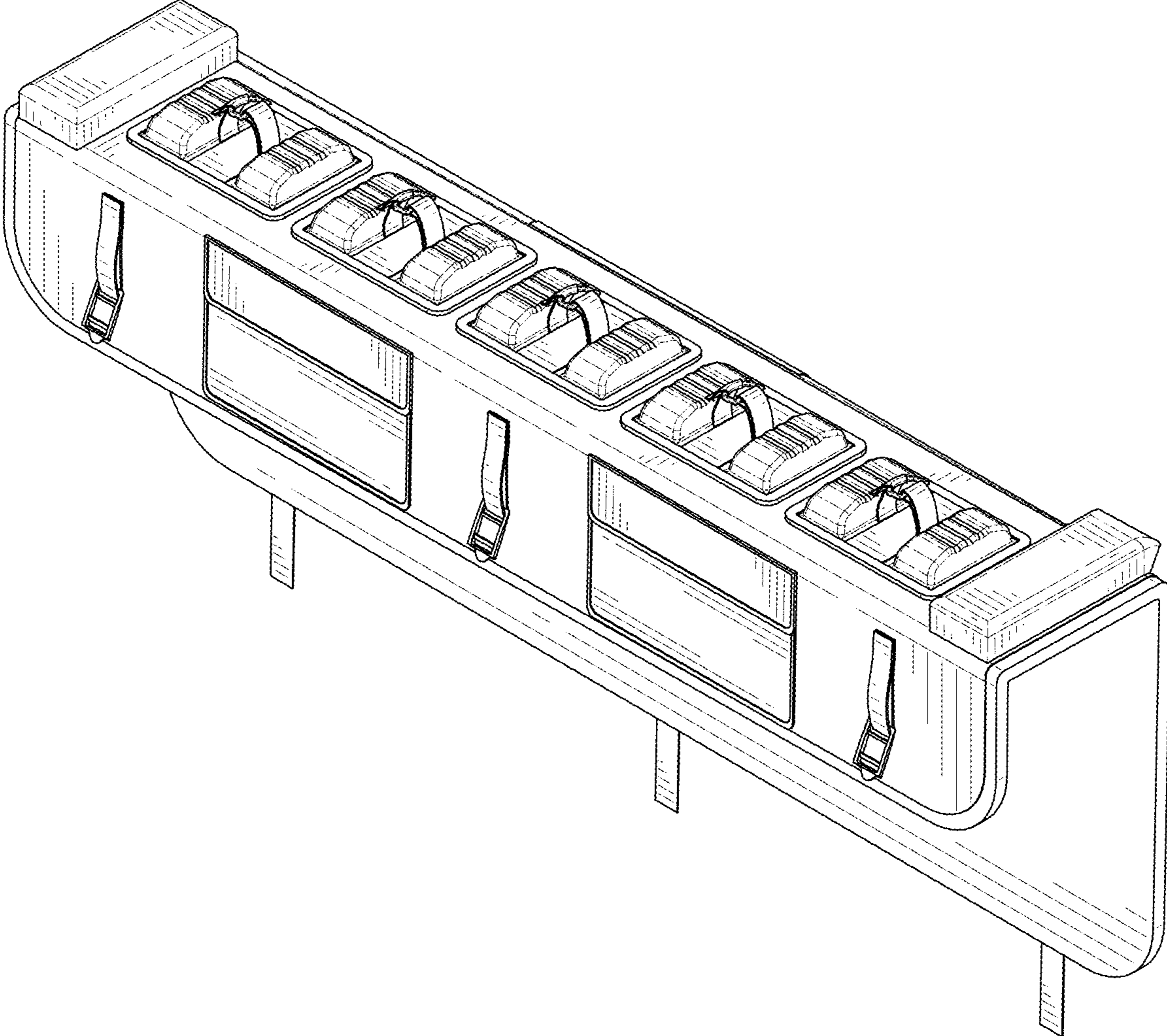


FIG. 2

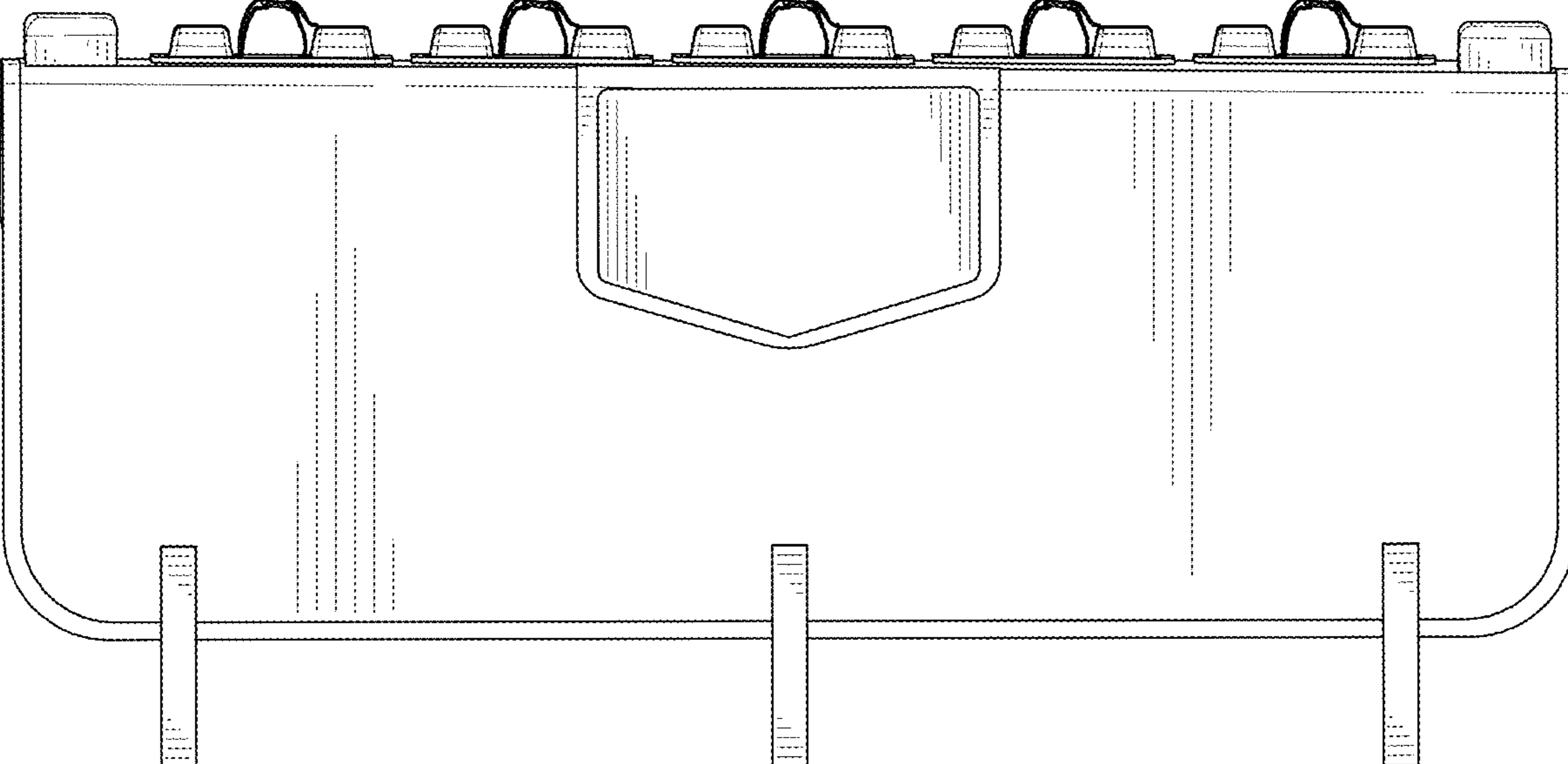


FIG. 3

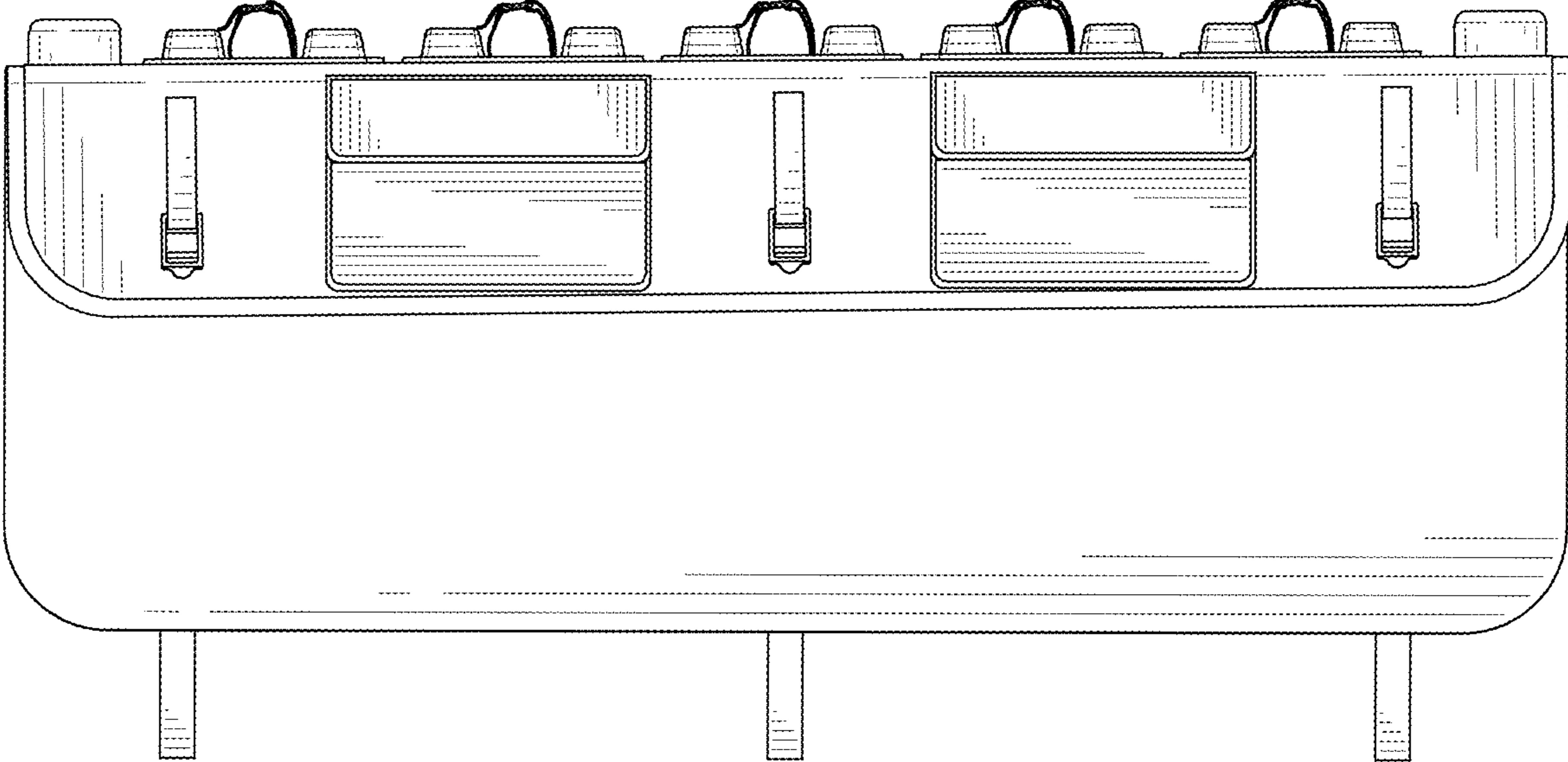


FIG. 4

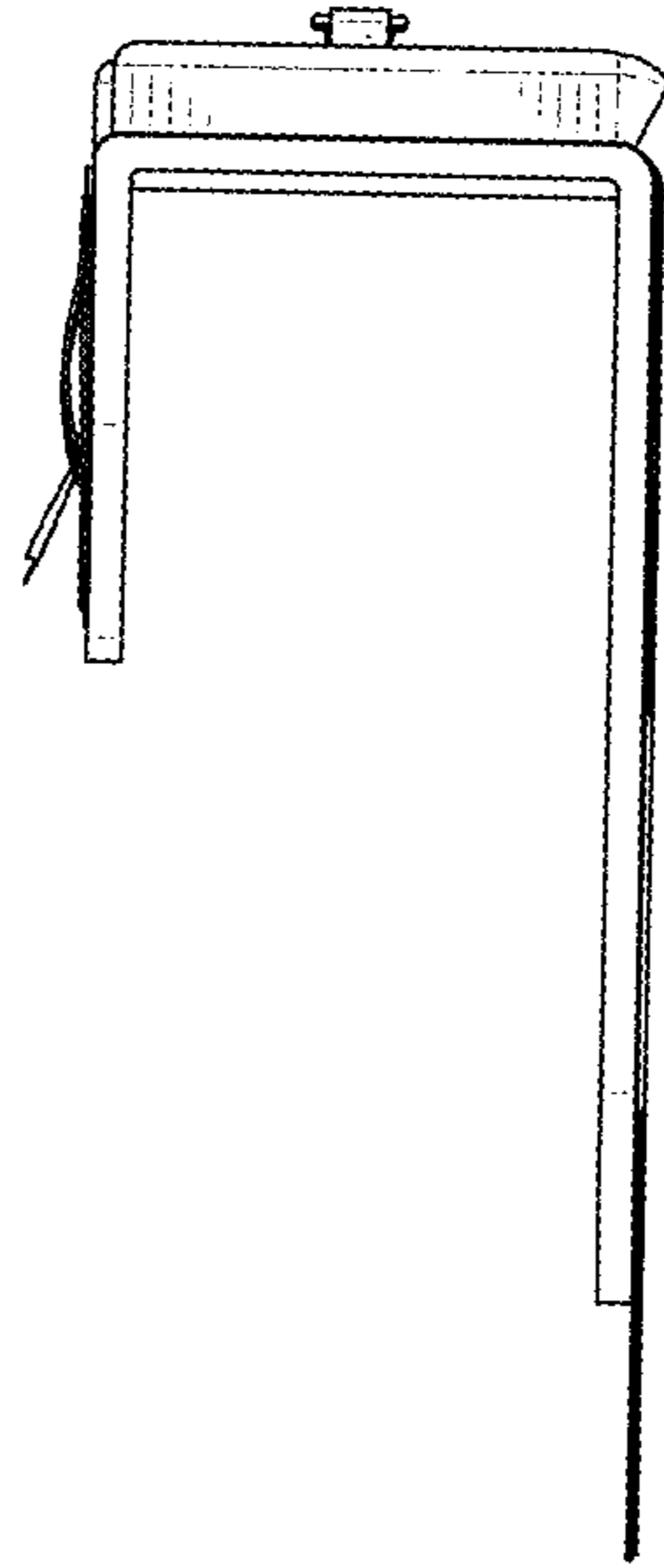


FIG. 5



FIG. 6

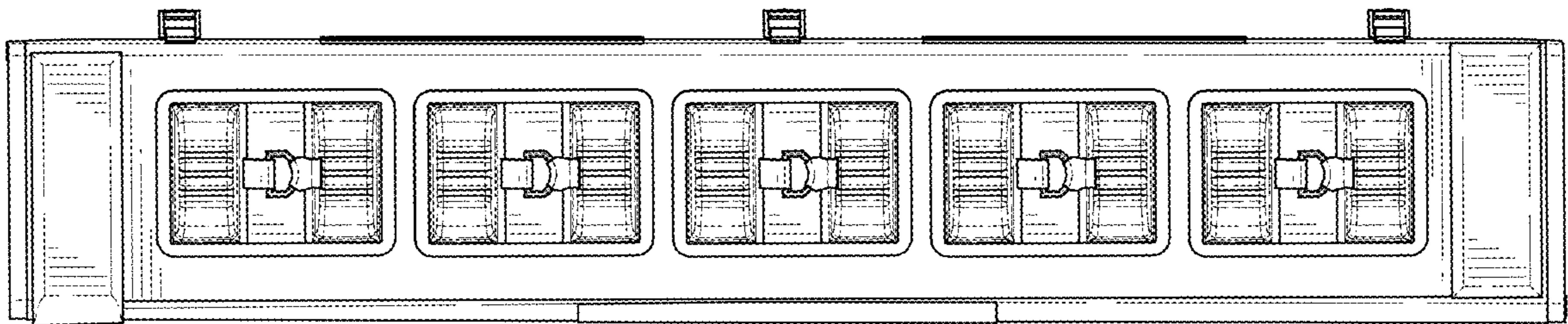


FIG. 7

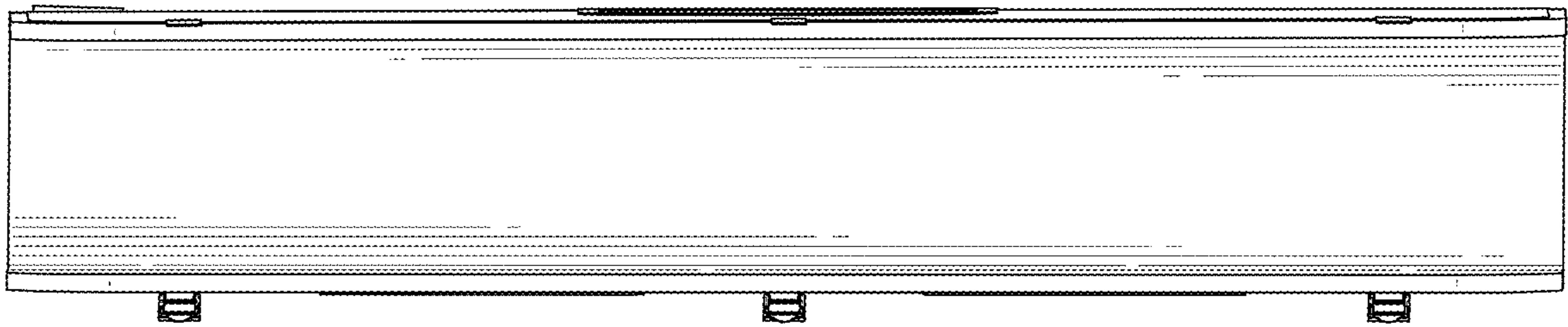


FIG. 8

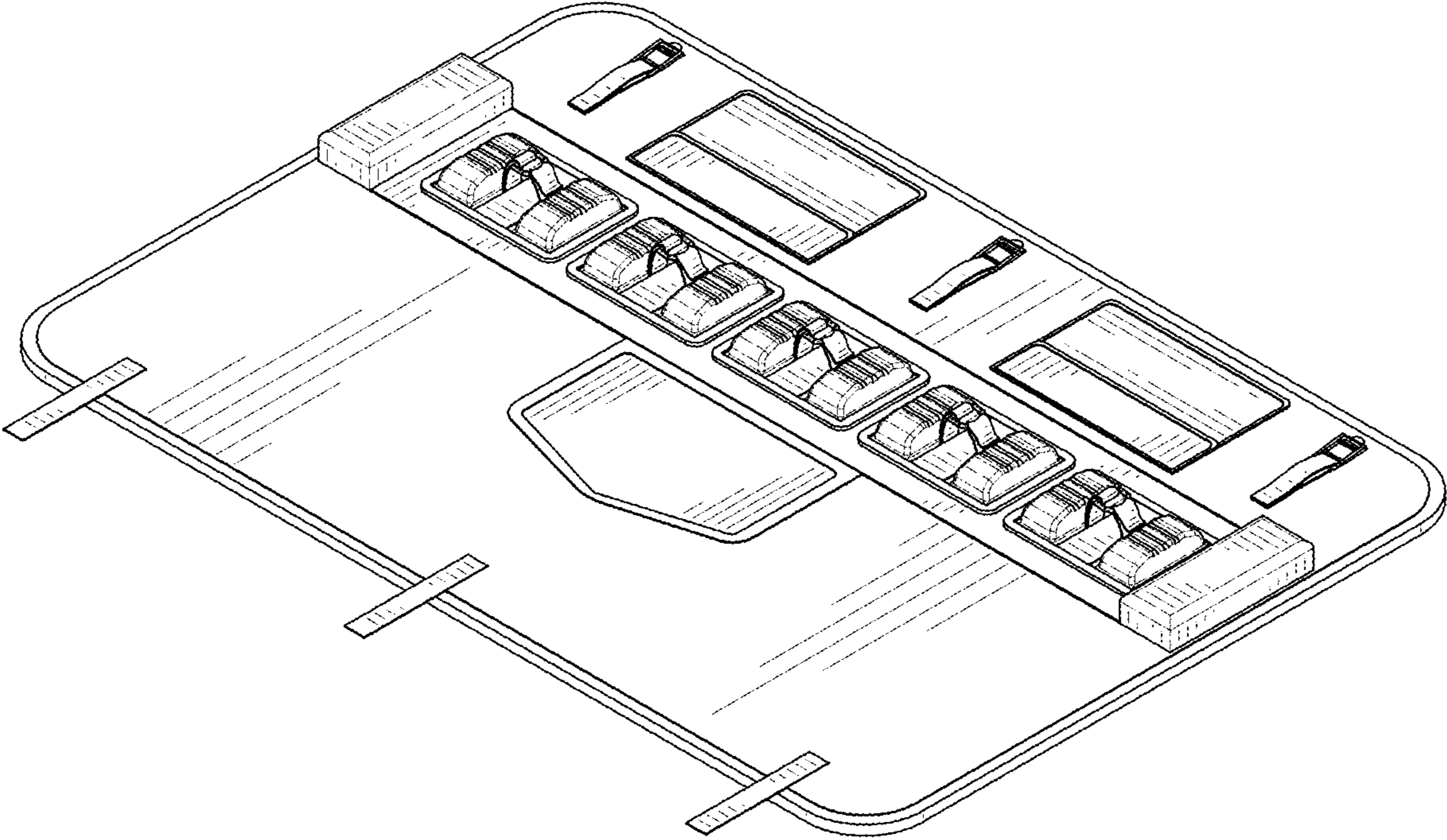


FIG. 9

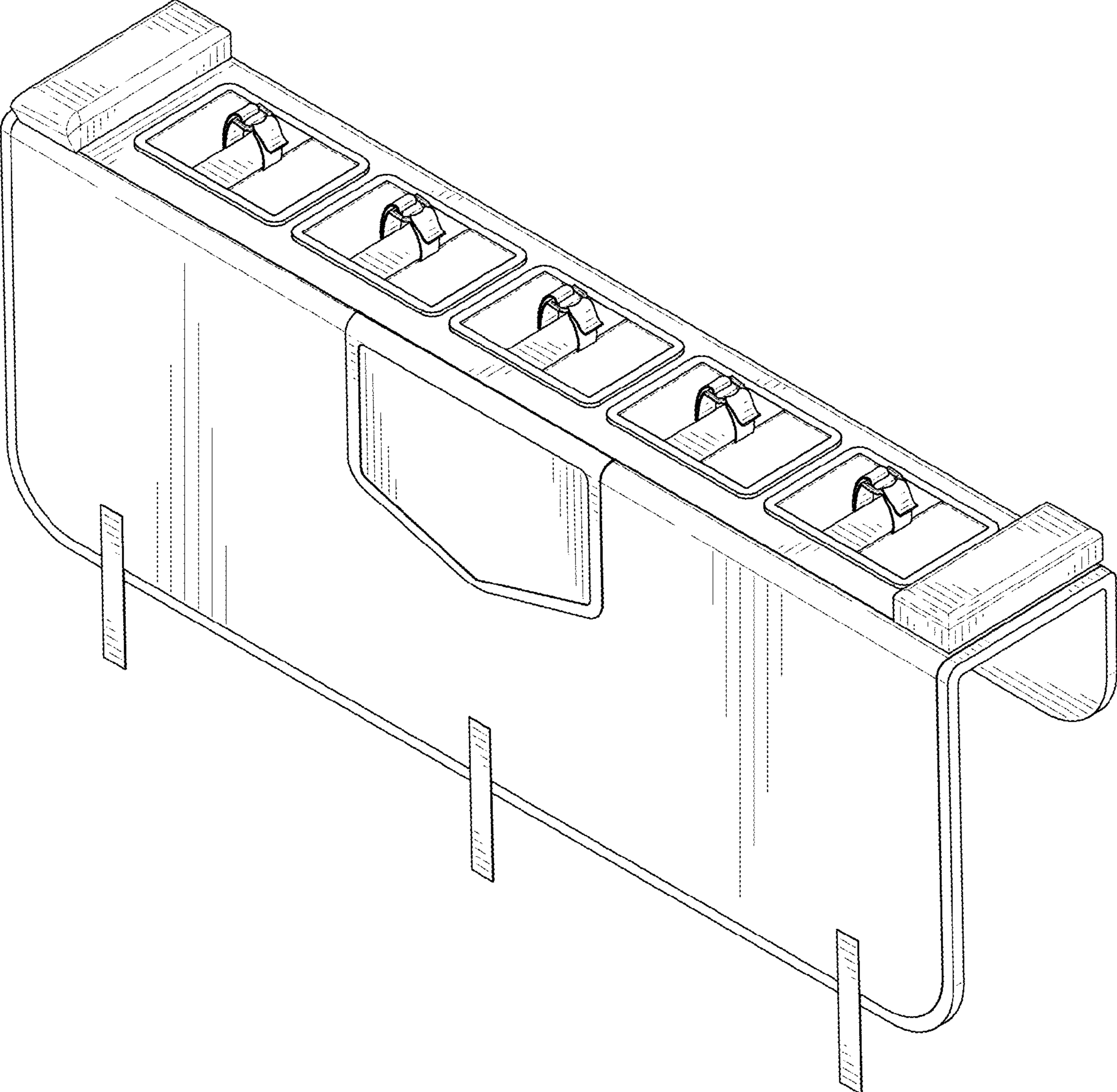


FIG. 10