



US00D969045S

(12) **United States Design Patent** (10) **Patent No.:** **US D969,045 S**  
**Okabe et al.** (45) **Date of Patent:** **\*\* Nov. 8, 2022**

(54) **INSTRUMENT PANEL FOR AUTOMOBILE**

(71) Applicant: **Nissan Motor Co., Ltd.**, Kanagawa (JP)

(72) Inventors: **Ken Okabe**, Kanagawa (JP); **Tsuyoshi Kato**, Kanagawa (JP); **Lihao Yu**, Kanagawa (JP)

(73) Assignee: **Nissan Motor Co., Ltd.**, Yokohama (JP)

(\*\*) Term: **15 Years**

(21) Appl. No.: **29/799,141**

(22) Filed: **Jul. 13, 2021**

(30) **Foreign Application Priority Data**

Jan. 14, 2021 (JP) ..... 2021-000593 D

(51) **LOC (13) Cl.** ..... **12-16**

(52) **U.S. Cl.**  
USPC ..... **D12/192**

(58) **Field of Classification Search**  
USPC ..... D12/192, 415, 114, 345, 195; D15/17, D15/28

CPC .... B60R 7/01; B60R 7/02; B60R 7/04; B60H 1/34; B60H 1/3407; B60H 1/3414; B60H 1/3421; B60H 1/3428; B60H 1/3435; B60H 1/3442; B60H 1/345; B60H 1/3457  
See application file for complete search history.

(56) **References Cited**

**U.S. PATENT DOCUMENTS**

D697,848 S \* 1/2014 Maruyama ..... D12/192  
D697,849 S \* 1/2014 Tanaka ..... D12/192  
D699,171 S \* 2/2014 Matsuo ..... D12/192  
D705,144 S \* 5/2014 Ishikawa ..... D12/192  
D705,145 S \* 5/2014 Mangan ..... D12/192

D726,612 S \* 4/2015 Wiedeman ..... D12/192  
D730,793 S \* 6/2015 Ishikawa ..... D12/192  
D733,021 S \* 6/2015 Takagi ..... D12/192  
D763,154 S \* 8/2016 Chang ..... D12/192  
D763,155 S \* 8/2016 Sahs ..... D12/192  
D803,743 S \* 11/2017 Igarashi ..... D12/192  
D807,266 S \* 1/2018 Hasegawa ..... D12/192  
D810,643 S \* 2/2018 Takamura ..... D12/192  
D813,127 S \* 3/2018 Yamamoto ..... D12/192  
D830,927 S \* 10/2018 Tanaka ..... D12/192  
D847,056 S \* 4/2019 Myoi ..... D12/192  
D874,371 S \* 2/2020 Buffery ..... D12/192  
D895,500 S \* 9/2020 Nakao ..... D12/192  
D932,404 S \* 10/2021 Owaku ..... D12/192  
D939,414 S \* 12/2021 Aizawa ..... D12/192  
D947,090 S \* 3/2022 Chergosky ..... D12/192

\* cited by examiner

*Primary Examiner* — Susan E Krakower

*Assistant Examiner* — Jerry Shiuian-Hua Hsu

(74) *Attorney, Agent, or Firm* — Global IP Counselors, LLP

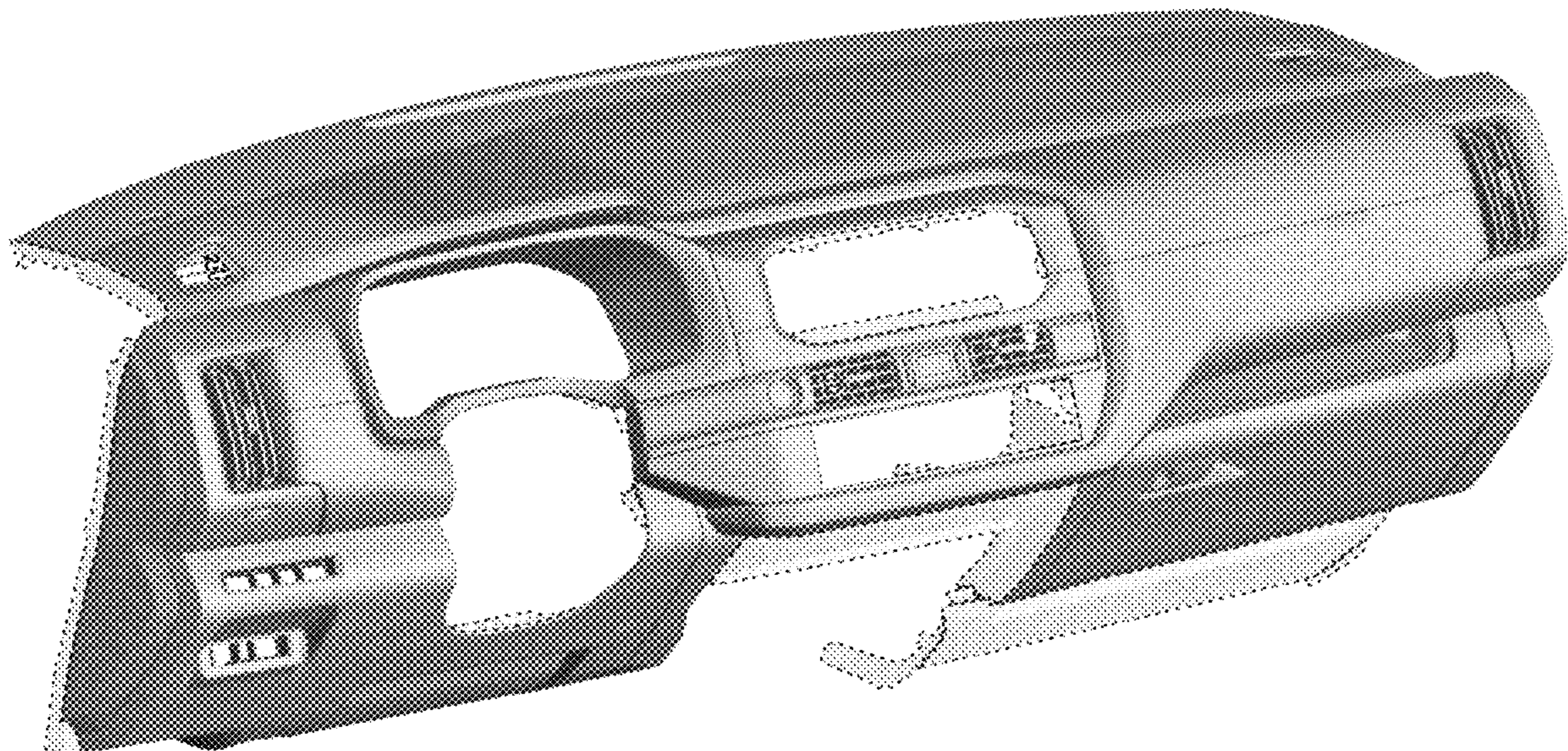
(57) **CLAIM**

The ornamental design for an instrument panel for automobile, as shown and described.

**DESCRIPTION**

FIG. 1 is a front, top, left side perspective view of an instrument panel for automobile in accordance with our new design, a mirror image thereof, is claimed but not shown; FIG. 2 is a front, top, right side perspective view thereof; FIG. 3 is a front elevational view thereof; FIG. 4 is a top plan view thereof; FIG. 5 is a bottom plan view thereof; FIG. 6 is a right side elevational view thereof, and, FIG. 7 is a left side elevational view thereof. The broken lines and deemphasized areas illustrate portions of the instrument panel for automobile which form no part of the claimed design.

**1 Claim, 7 Drawing Sheets**



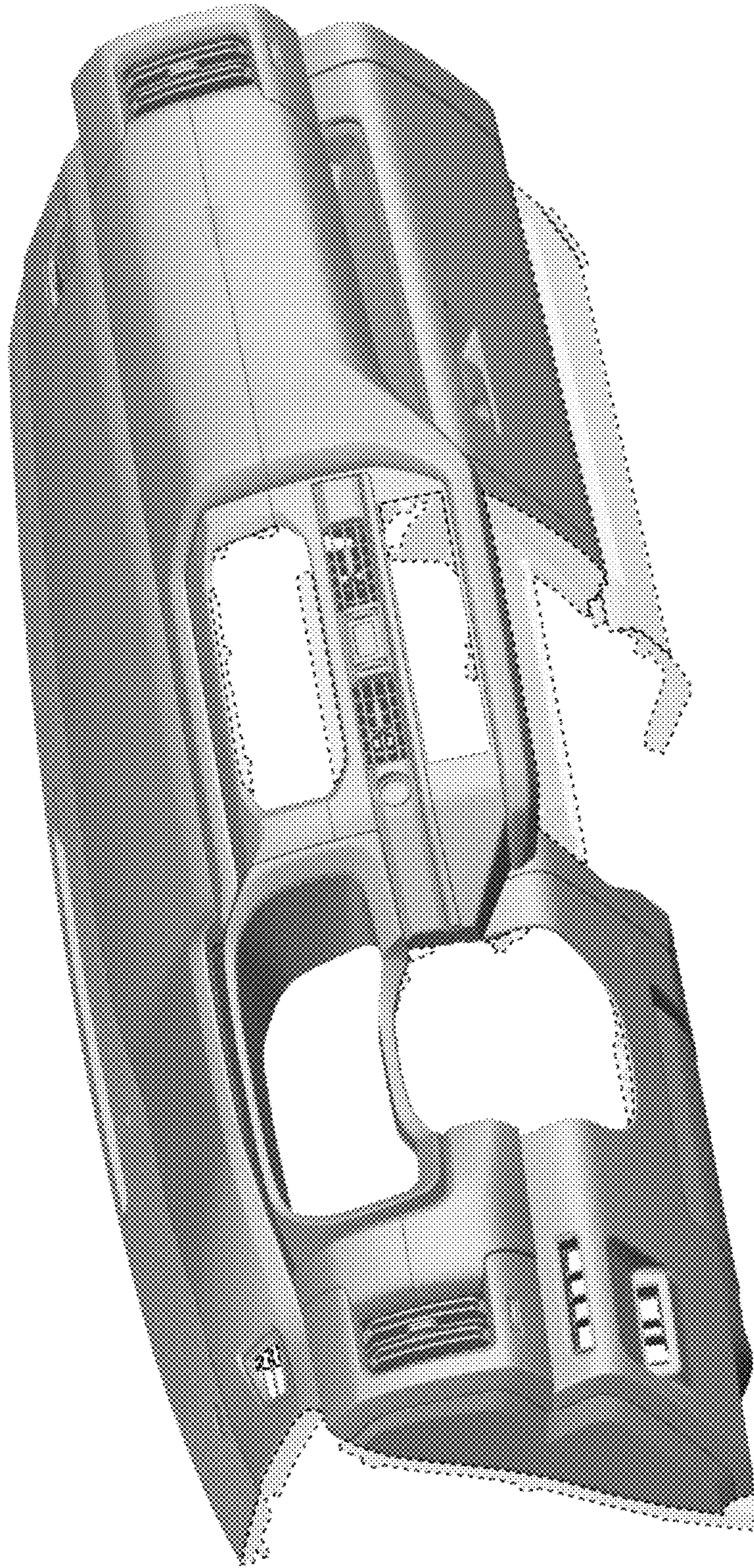


FIG. 1

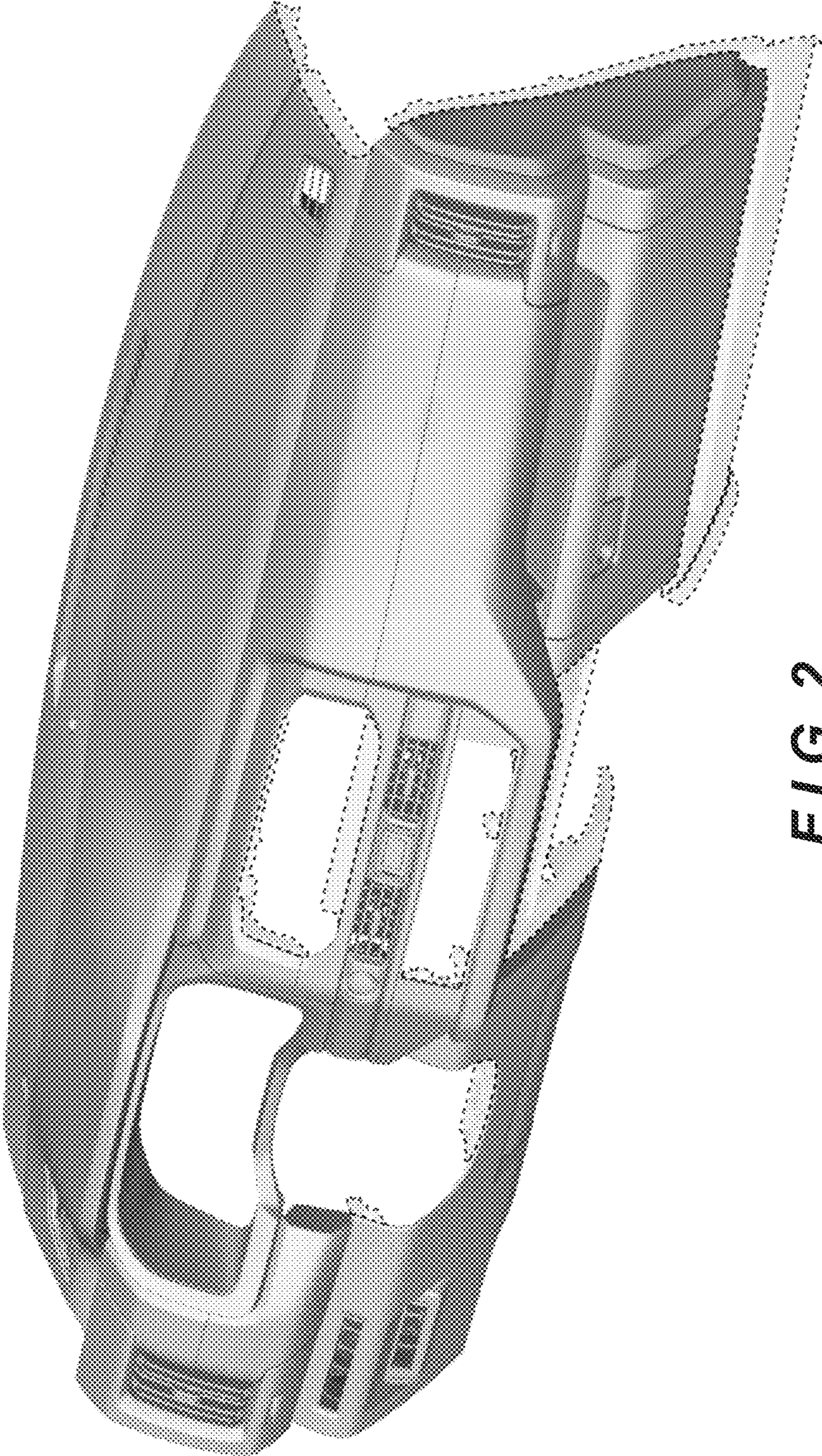


FIG. 2

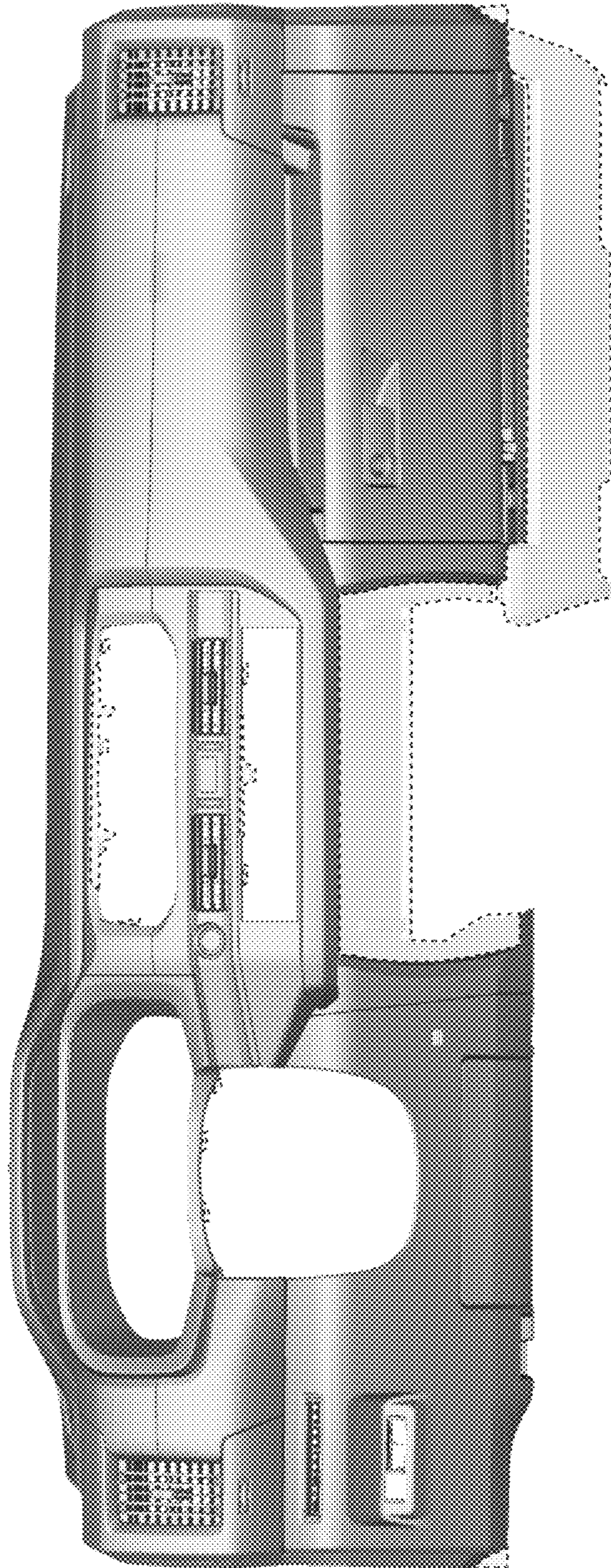


FIG. 3

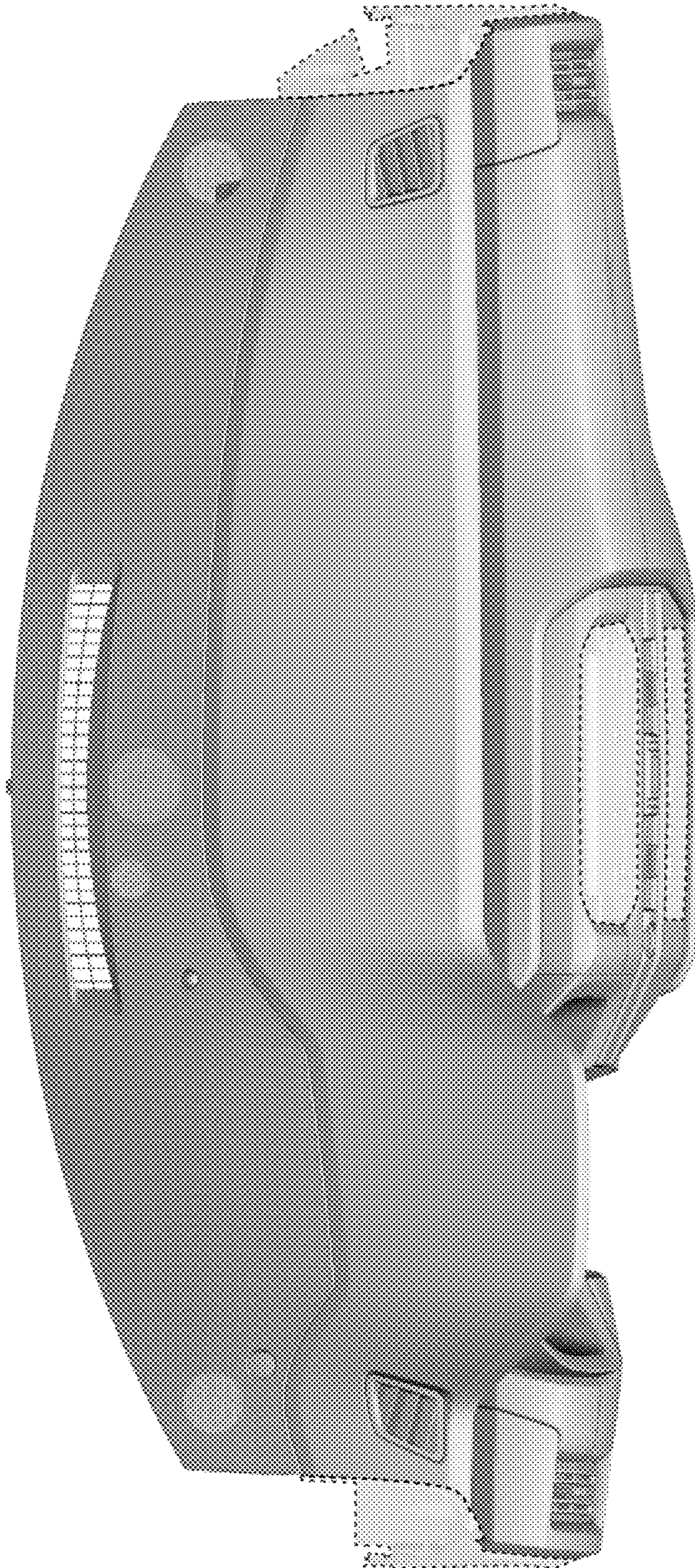


FIG. 4

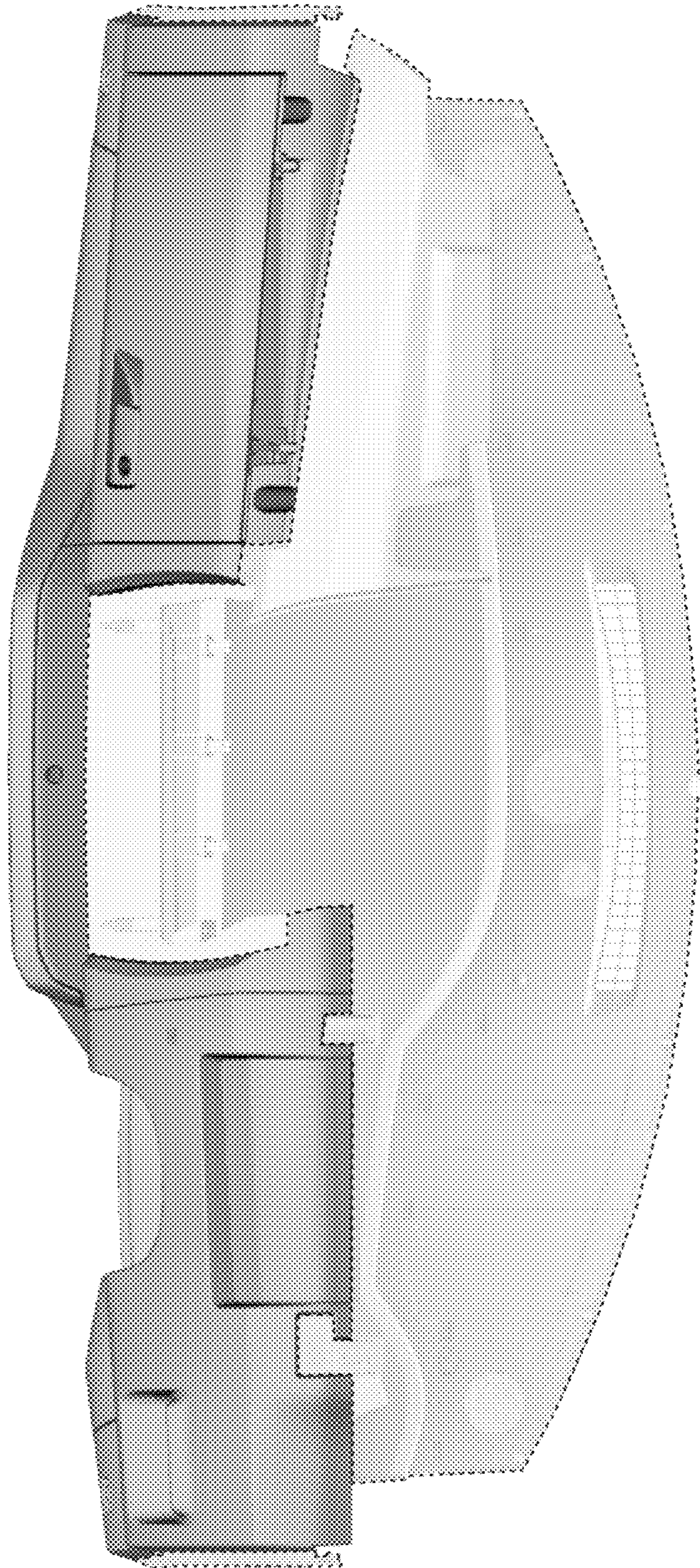


FIG. 5

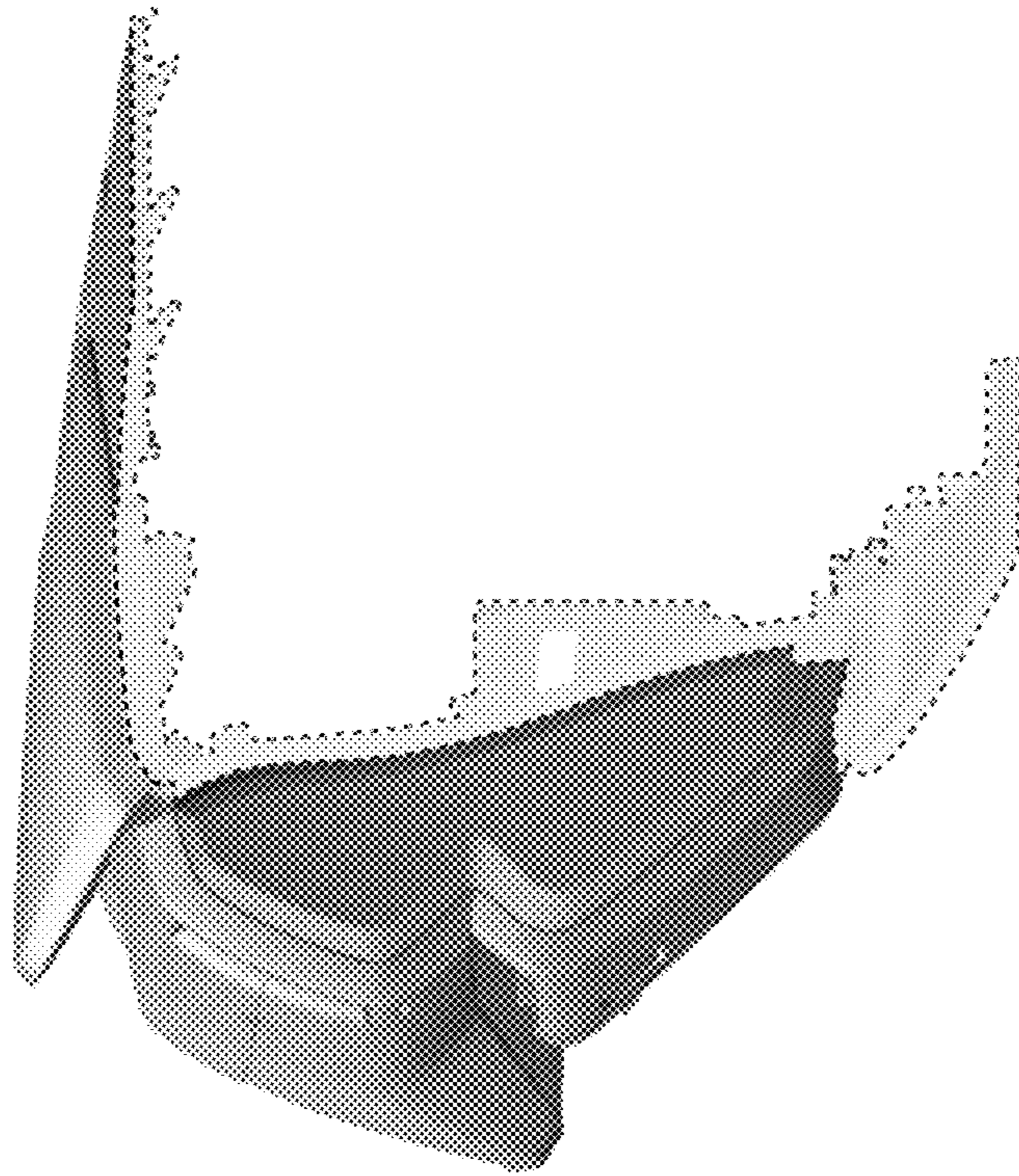


FIG. 6

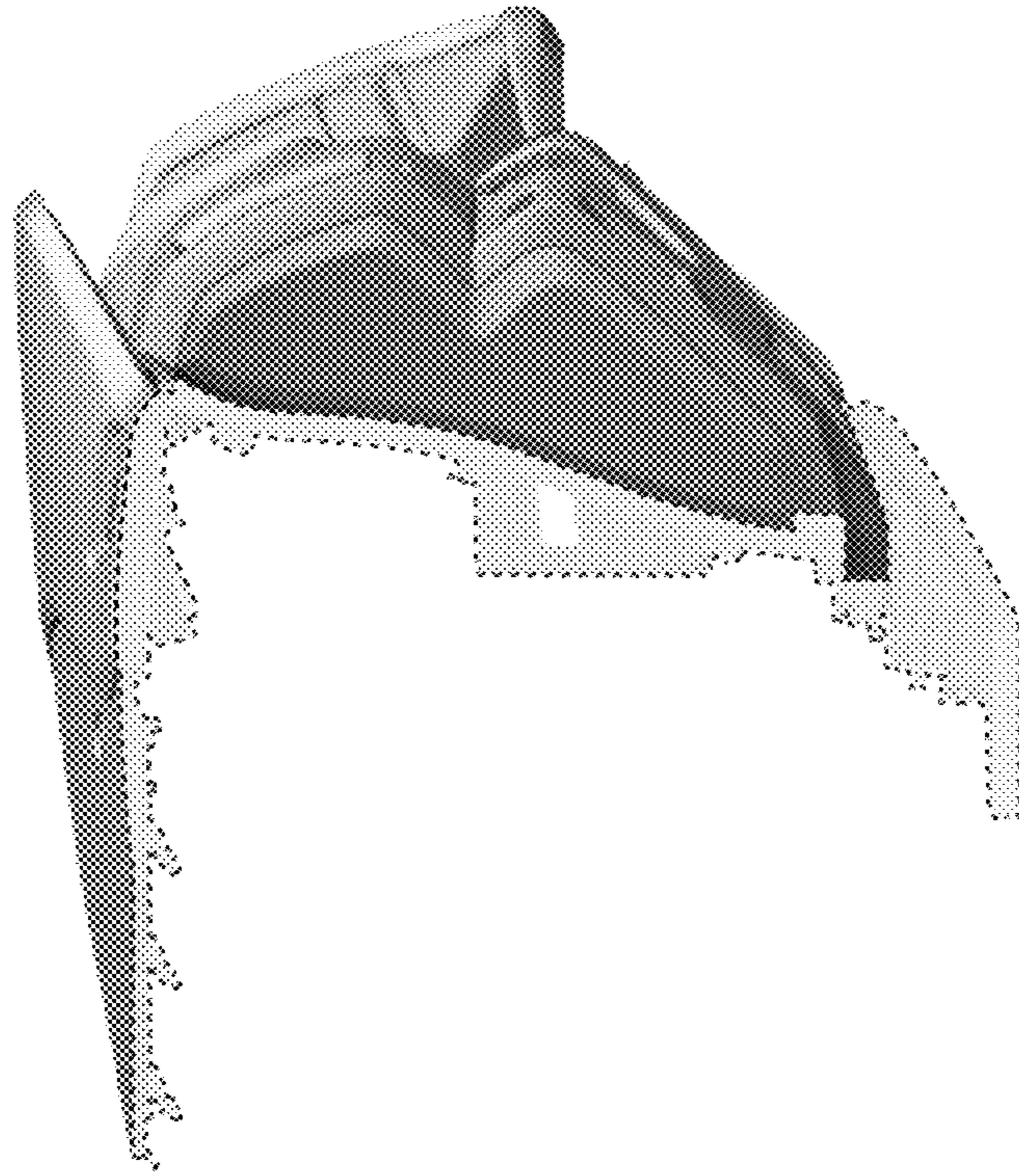


FIG. 7