



US00D969044S

(12) **United States Design Patent** (10) **Patent No.:** **US D969,044 S**  
**Schmeckpeper** (45) **Date of Patent:** **\*\* Nov. 8, 2022**

- (54) **VEHICLE OUTSIDE MIRROR**
- (71) Applicant: **GM GLOBAL TECHNOLOGY OPERATIONS LLC**, Detroit, MI (US)
- (72) Inventor: **Daniel E. Schmeckpeper**, Clarkston, MI (US)
- (73) Assignee: **GM Global Technology Operations LLC**, Detroit, MI (US)
- (\*\*) Term: **15 Years**
- (21) Appl. No.: **29/770,471**
- (22) Filed: **Feb. 12, 2021**
- (51) **LOC (13) Cl.** ..... **12-16**
- (52) **U.S. Cl.**  
USPC ..... **D12/187**
- (58) **Field of Classification Search**  
USPC ..... D12/187, 188, 189; D6/300, 309  
CPC ..... B60R 1/0605; B60R 1/08; B60R 1/081;  
B60R 1/082; B60R 1/074; B60R 1/076;  
B60R 1/078; B60R 1/0617  
See application file for complete search history.

- D840,885 S 2/2019 Park Cheng
- D851,002 S 6/2019 Kozub
- D854,991 S 7/2019 Whitla et al.
- D855,523 S 8/2019 Perkins
- D855,524 S 8/2019 Lee
- D860,085 S 9/2019 Koo et al.
- D862,331 S \* 10/2019 Woodhouse ..... D12/187
- D862,332 S \* 10/2019 Woodhouse ..... D12/187
- D863,160 S 10/2019 Gifford et al.
- D865,598 S \* 11/2019 Grand ..... D12/187
- D873,745 S 1/2020 Ruiz
- D880,385 S \* 4/2020 Gillam ..... D12/187
- D881,094 S \* 4/2020 Dewitt ..... D12/187
- D882,471 S \* 4/2020 Tovey ..... D12/187
- D886,015 S \* 6/2020 Kim ..... D12/187
- D902,813 S 11/2020 Ruiz
- D902,814 S 11/2020 Ruiz
- D908,566 S \* 1/2021 Zhao ..... D12/187
- D911,894 S \* 3/2021 Tonello ..... D12/187

(Continued)

*Primary Examiner* — Susan E Krakower  
*Assistant Examiner* — Jerry Shiuan-Hua Hsu

(57) **CLAIM**

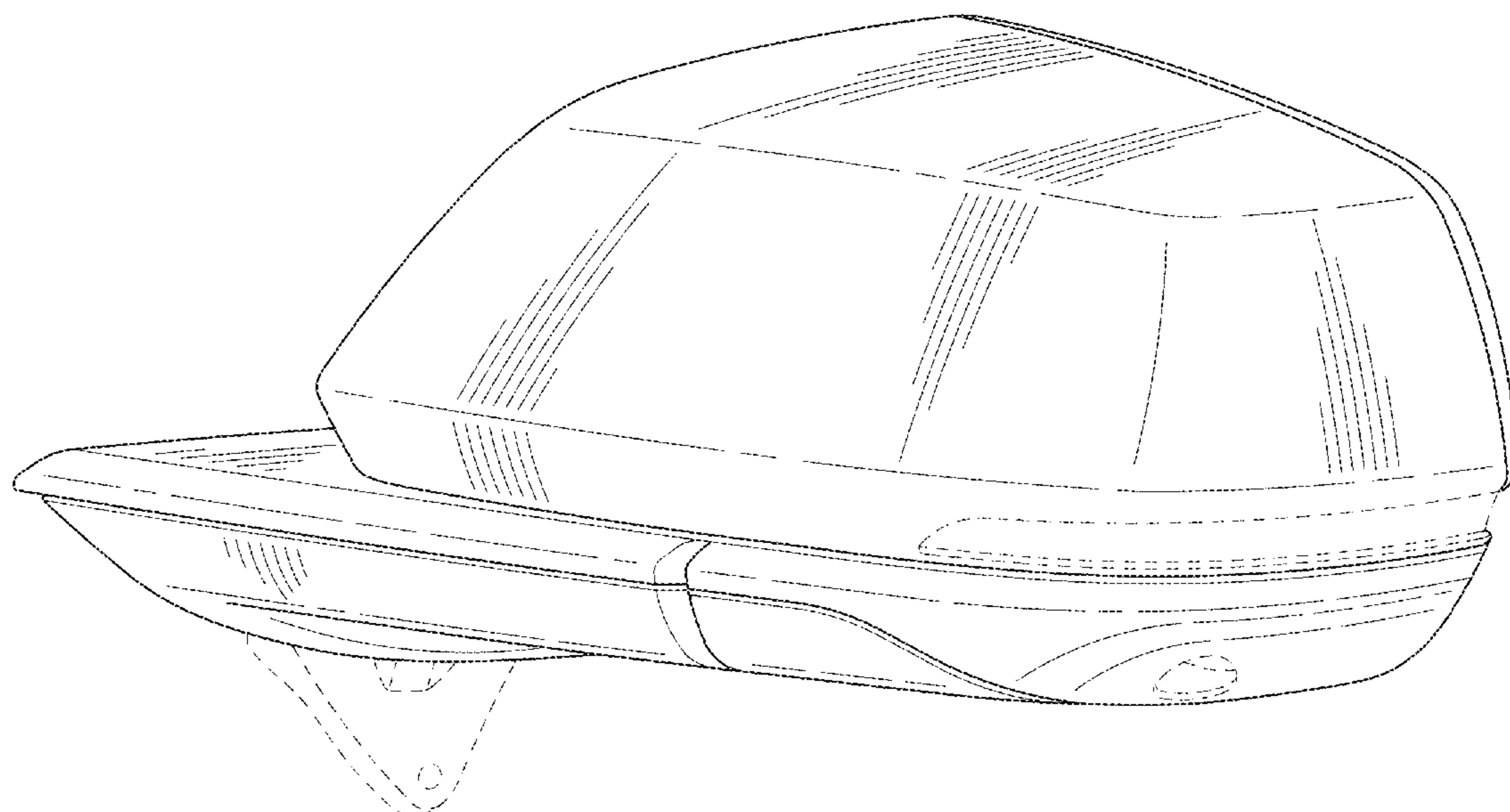
The ornamental design for a vehicle outside mirror, as shown and described.

**DESCRIPTION**

FIG. 1 is a front and left perspective view of a vehicle outside mirror showing my new design; the mirror image of the vehicle outside mirror is claimed, but not shown; FIG. 2 is a front elevation view of the vehicle outside mirror of FIG. 1; FIG. 3 is a left elevation view thereof; FIG. 4 is a right elevation view thereof; FIG. 5 is a top plan view thereof; FIG. 6 is a back elevation view thereof; and, FIG. 7 is a bottom plan view thereof. The broken lines depict portions of the vehicle outside mirror that form no part of the claimed design.

**1 Claim, 7 Drawing Sheets**

- (56) **References Cited**  
U.S. PATENT DOCUMENTS
- D724,510 S 3/2015 McMahan et al.
- D782,379 S 3/2017 Wassell
- D784,226 S 4/2017 Cheng
- D793,311 S 8/2017 Whitla et al.
- D797,537 S 9/2017 Cooper et al.
- D802,502 S 11/2017 McMahan
- D804,378 S 12/2017 Perkins
- D804,379 S 12/2017 McMahan
- D807,263 S \* 1/2018 Piscitelli ..... D12/187
- D809,442 S 2/2018 Zipfel et al.
- D818,915 S 5/2018 Kozub et al.
- D839,157 S 1/2019 Smith et al.
- D840,303 S 2/2019 Park Cheng



(56)

**References Cited**

U.S. PATENT DOCUMENTS

D915,961 S *	4/2021	Woodhouse .....	D12/187
D942,909 S *	2/2022	Kim .....	D12/187
D942,910 S *	2/2022	Kim .....	D12/187
D944,162 S *	2/2022	Kim .....	D12/187

\* cited by examiner

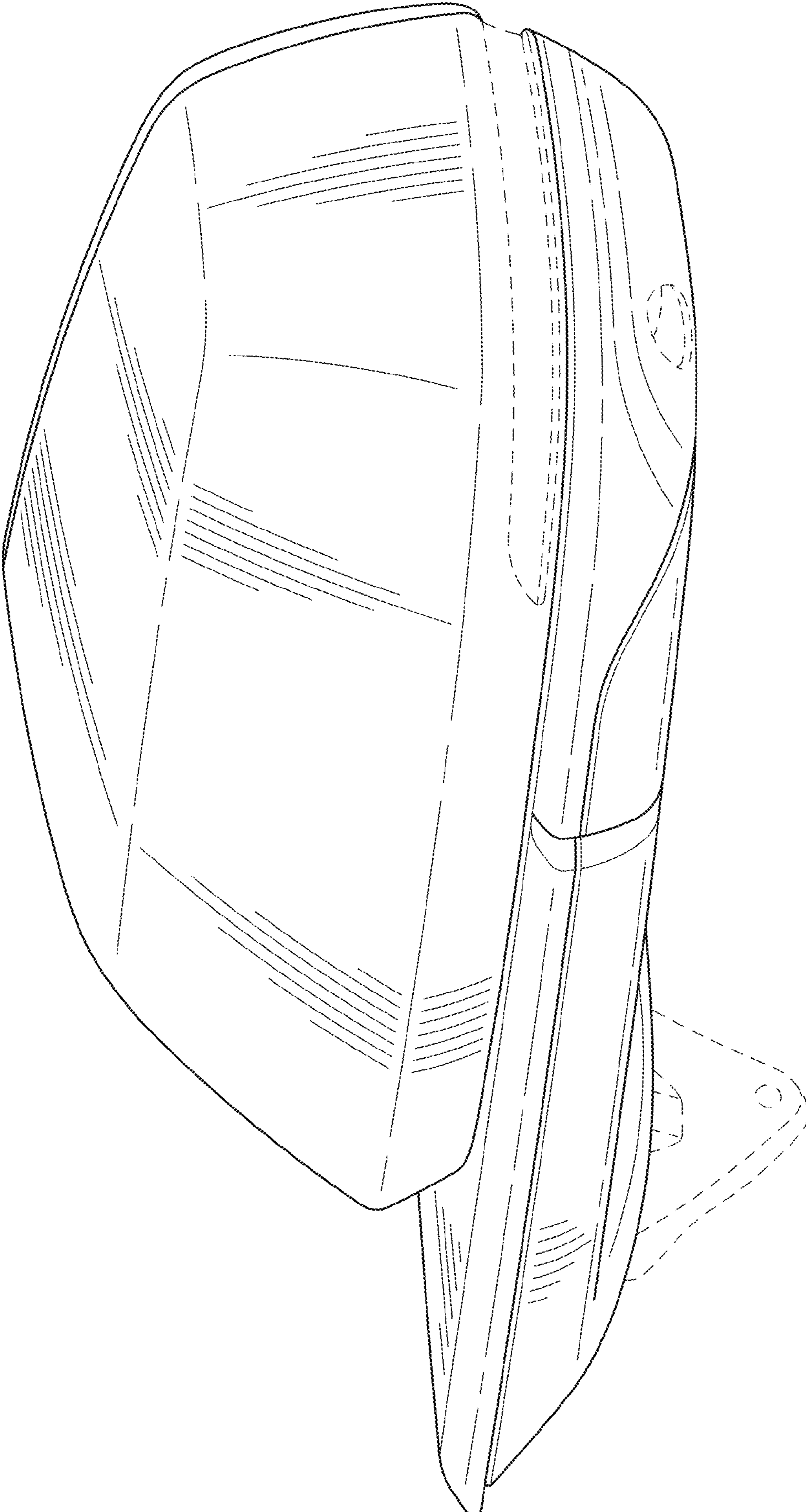


FIG. 1

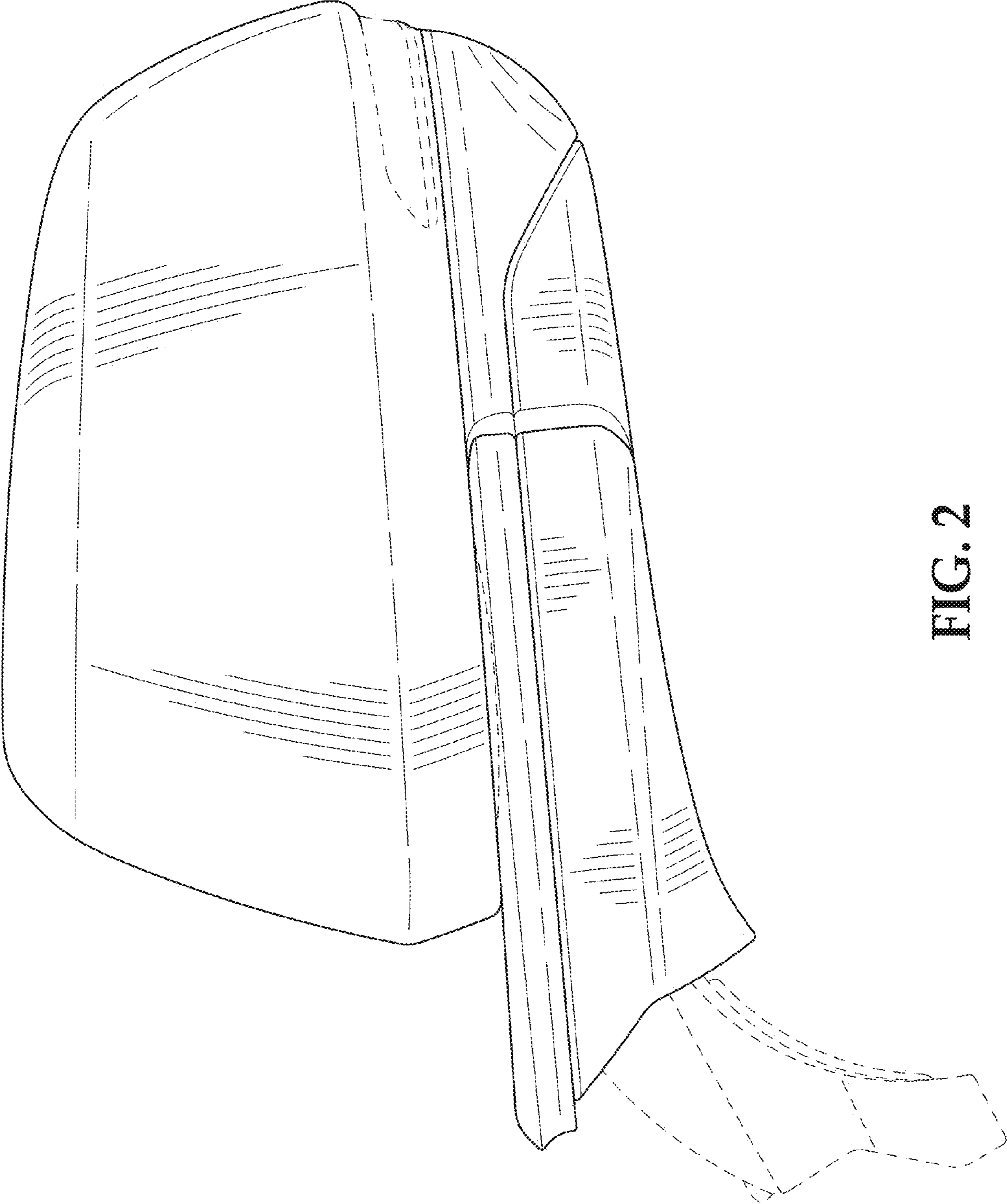


FIG. 2

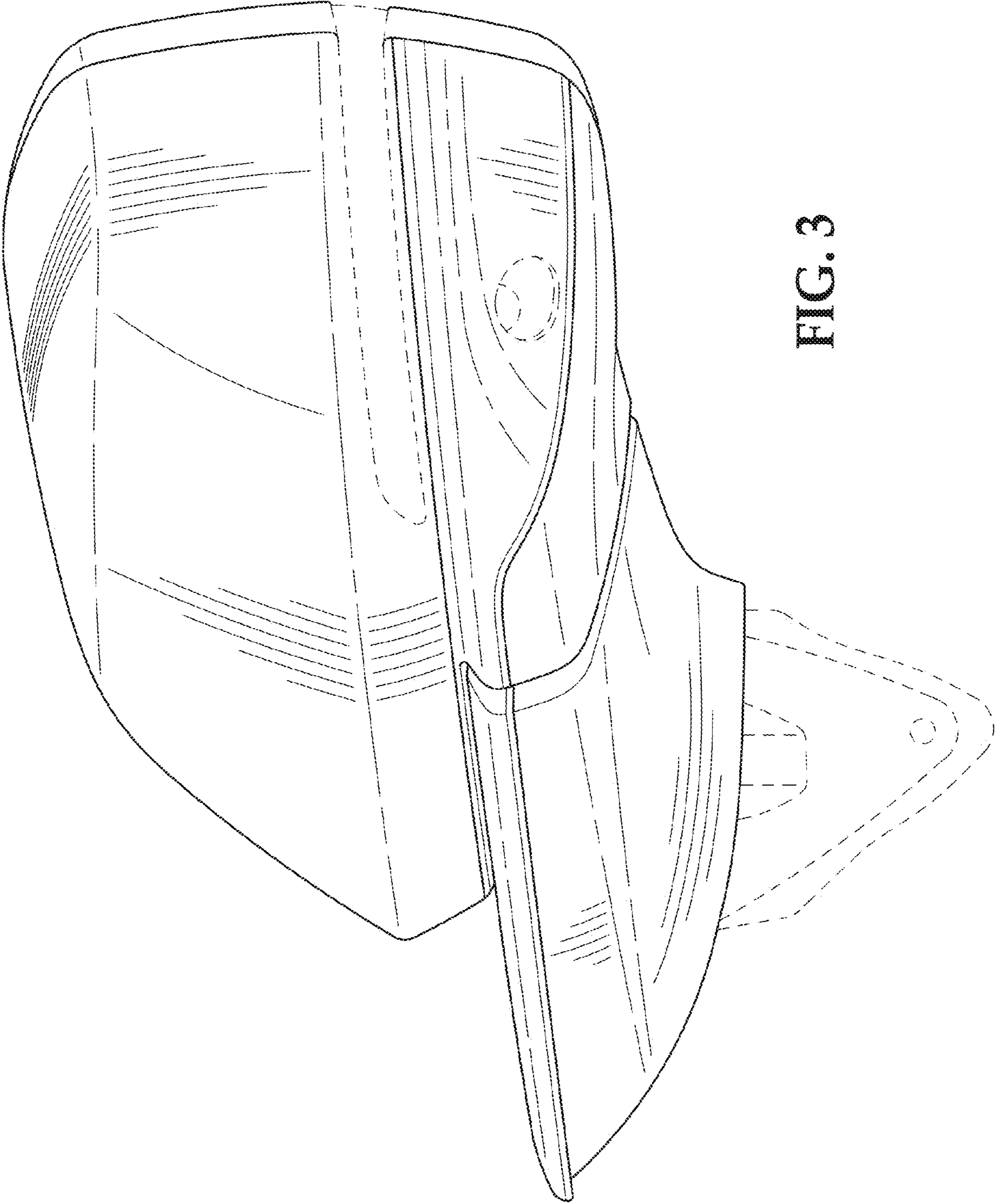


FIG. 3

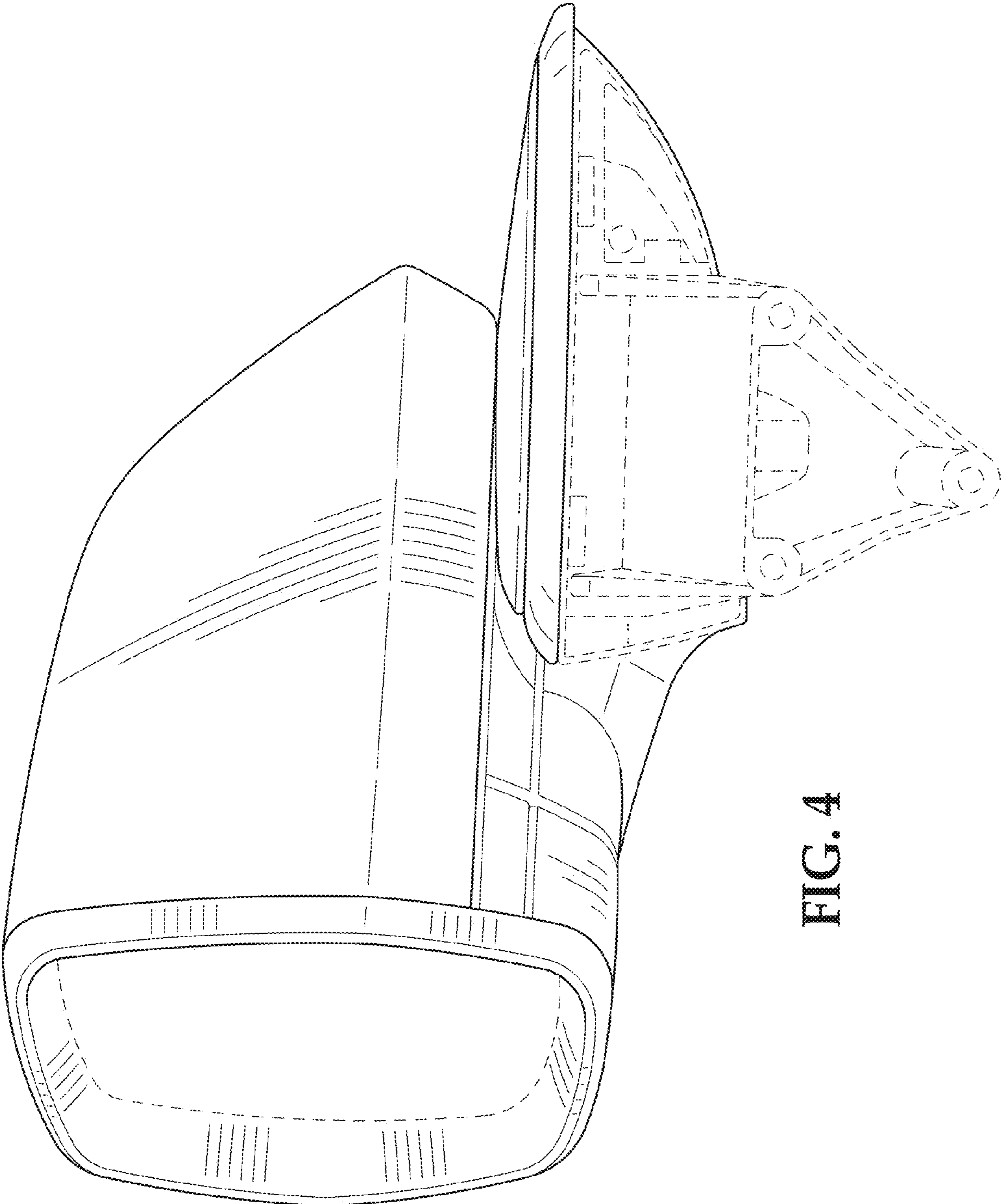


FIG. 4

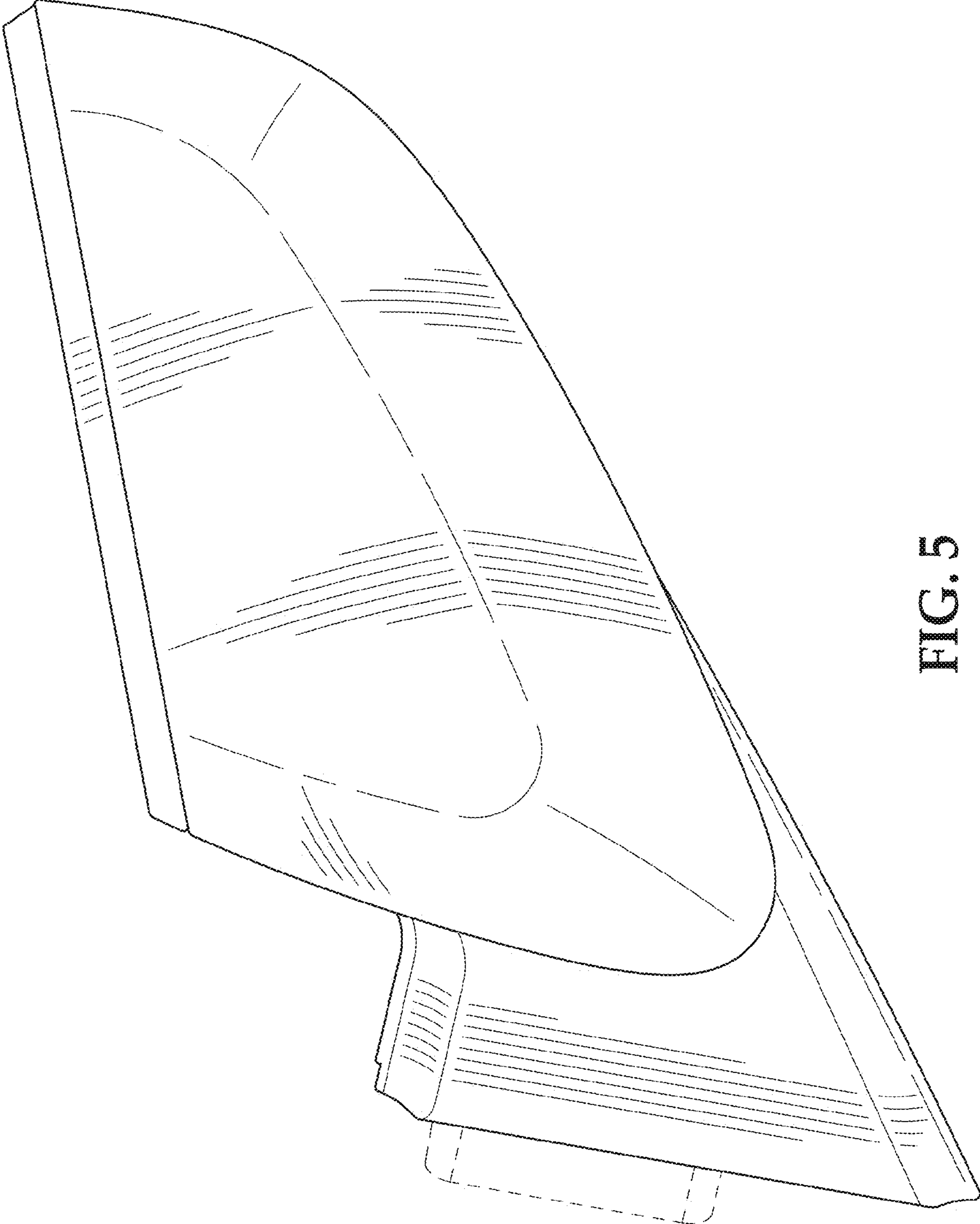


FIG. 5

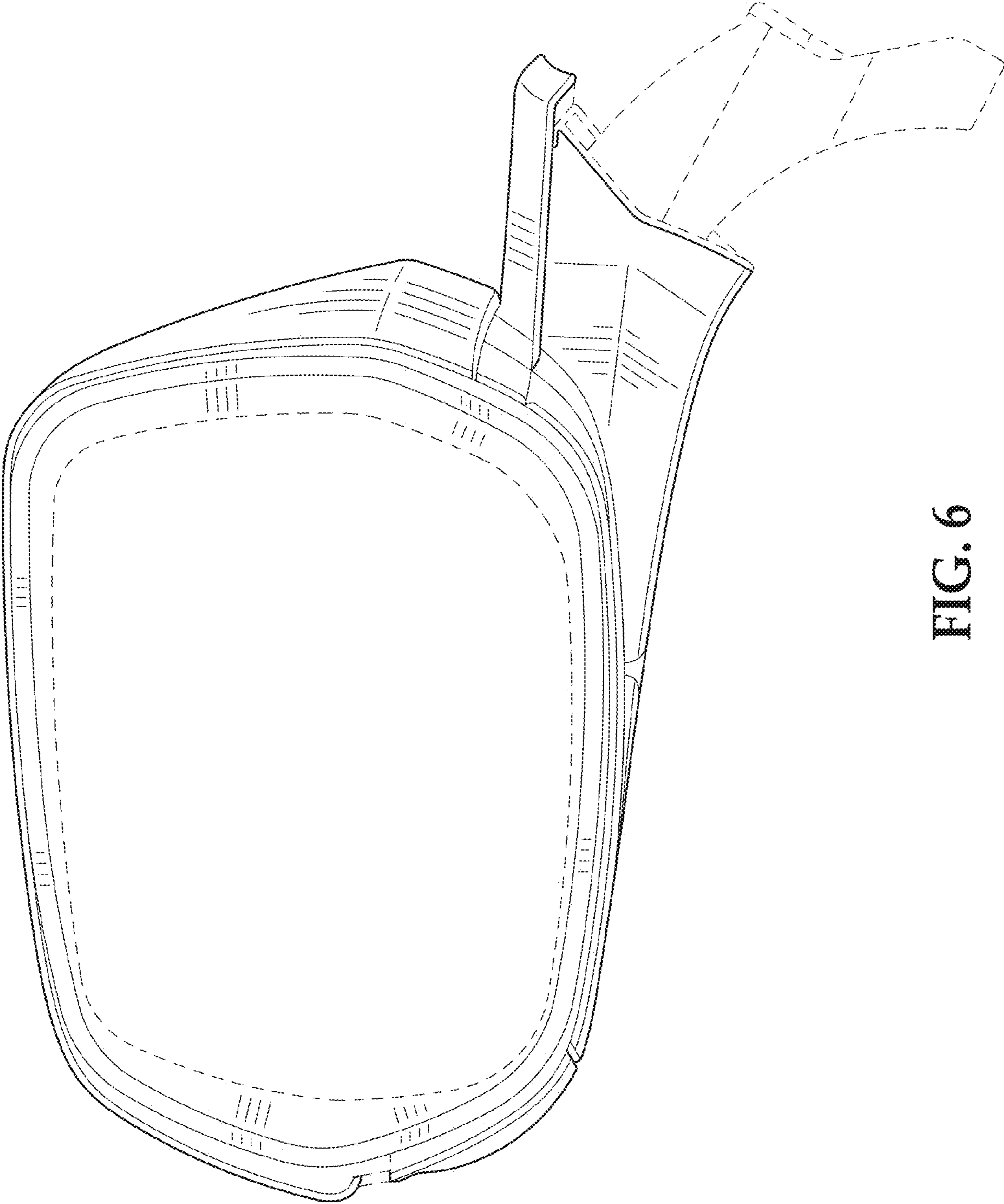


FIG. 6



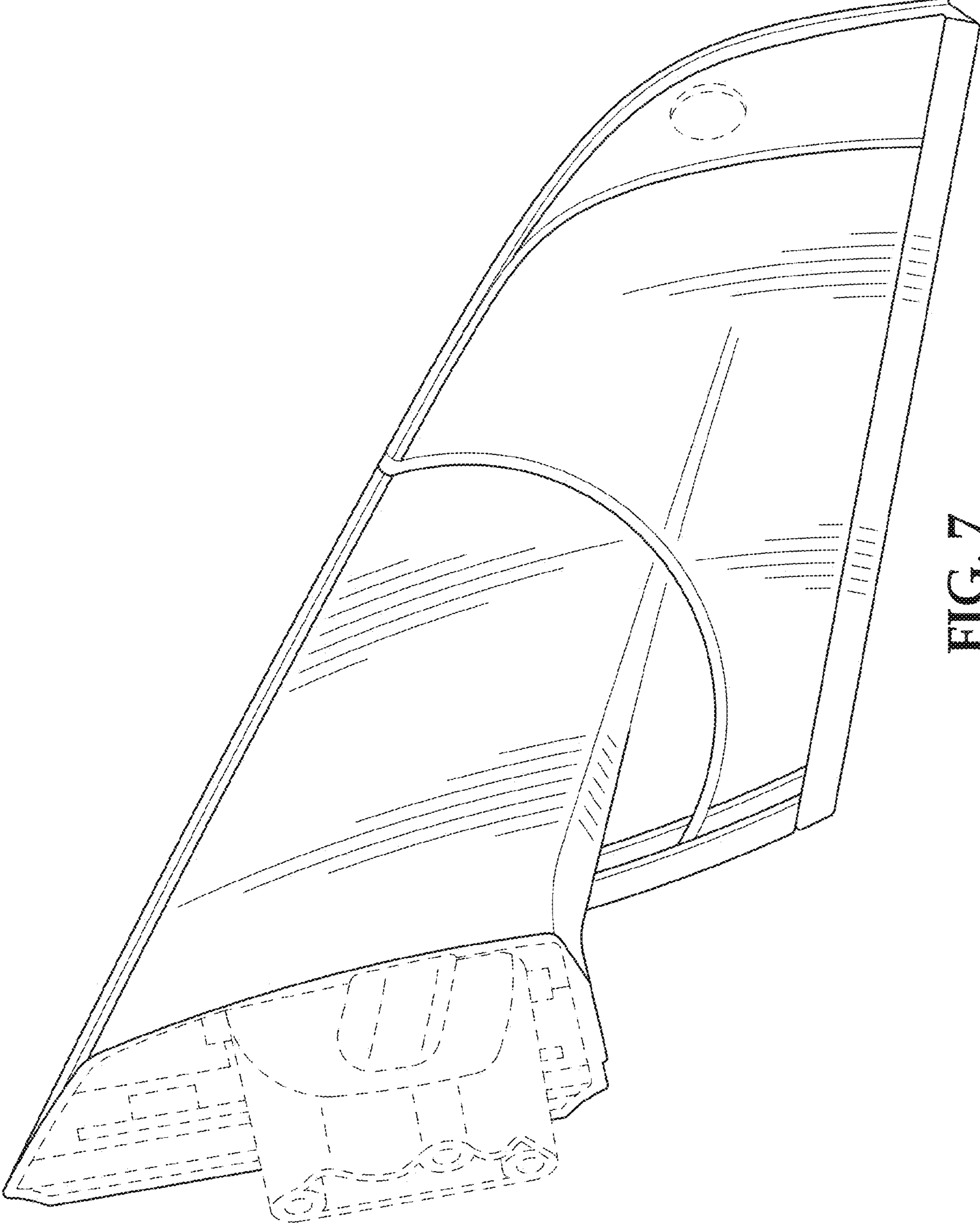


FIG. 7