



US00D969041S

(12) **United States Design Patent** (10) **Patent No.:** **US D969,041 S**  
**Montoya Bueloni** (45) **Date of Patent:** **\*\* Nov. 8, 2022**

(54) **VEHICLE BUMPER UNIT**  
(71) Applicant: **VOLKSWAGEN AKTIENGESELLSCHAFT**,  
Wolfsburg (DE)  
(72) Inventor: **Felipe Montoya Bueloni**, Wolfsburg  
(DE)  
(73) Assignee: **VOLKSWAGEN AKTIENGESELLSCHAFT**,  
Wolfsburg (DE)  
(\*\*) Term: **15 Years**

D885,994 S *	6/2020	Metros	.....	D12/163
D887,317 S *	6/2020	Metros	.....	D12/163
D901,342 S *	11/2020	Yang	.....	D12/163
D902,093 S *	11/2020	Behmer	.....	D12/163
D910,503 S *	2/2021	Battams	.....	D12/163
D911,231 S *	2/2021	Bucher	.....	D12/169
D914,554 S *	3/2021	Bischoff	.....	D12/169
D915,957 S *	4/2021	Bischoff	.....	D12/169
D932,388 S *	10/2021	Montoya Bueloni	.....	D12/169
D932,391 S *	10/2021	Montoya Bueloni	.....	D12/169
D932,392 S *	10/2021	Akcay	.....	D12/169
D932,396 S *	10/2021	Giumentaro	.....	D12/169
D932,757 S *	10/2021	Kanata	.....	D2/951
D934,751 S *	11/2021	Taubert	.....	D12/169
D939,401 S *	12/2021	Becker	.....	D12/169

(21) Appl. No.: **29/781,641**  
(22) Filed: **Apr. 30, 2021**  
(30) **Foreign Application Priority Data**  
Dec. 1, 2020 (WO) ..... WIPO99891  
(51) **LOC (13) Cl.** ..... **12-16**  
(52) **U.S. Cl.**  
USPC ..... **D12/169**  
(58) **Field of Classification Search**  
USPC ..... D12/169, 196, 86, 90-92, 163, 190, 98,  
D12/164; 293/102, 113, 115, 117, 120,  
293/193.11; 296/180.1, 180.2  
CPC ..... B60R 19/02; B60R 19/04; B62D 25/08  
See application file for complete search history.

**FOREIGN PATENT DOCUMENTS**

WO DM208738 6/2020

\* cited by examiner

*Primary Examiner* — Melody N Brown  
(74) *Attorney, Agent, or Firm* — Lucas & Mercanti, LLP;  
Klaus P. Stoffel

(57) **CLAIM**

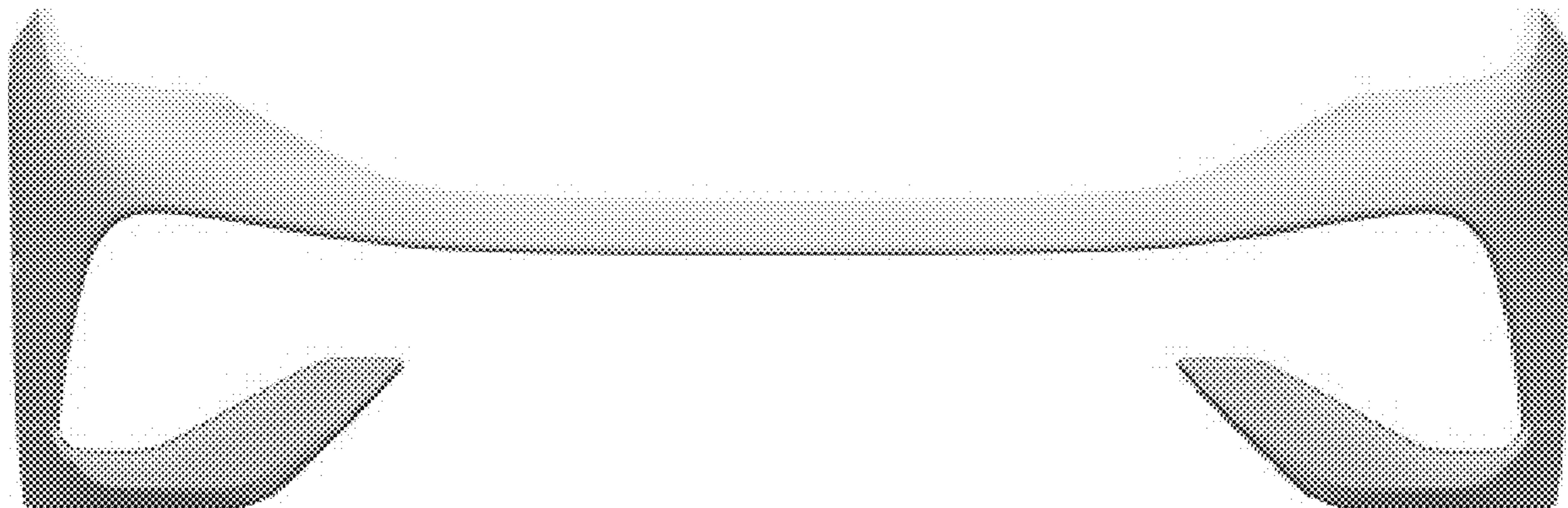
The ornamental design for a vehicle bumper unit, as shown and described.

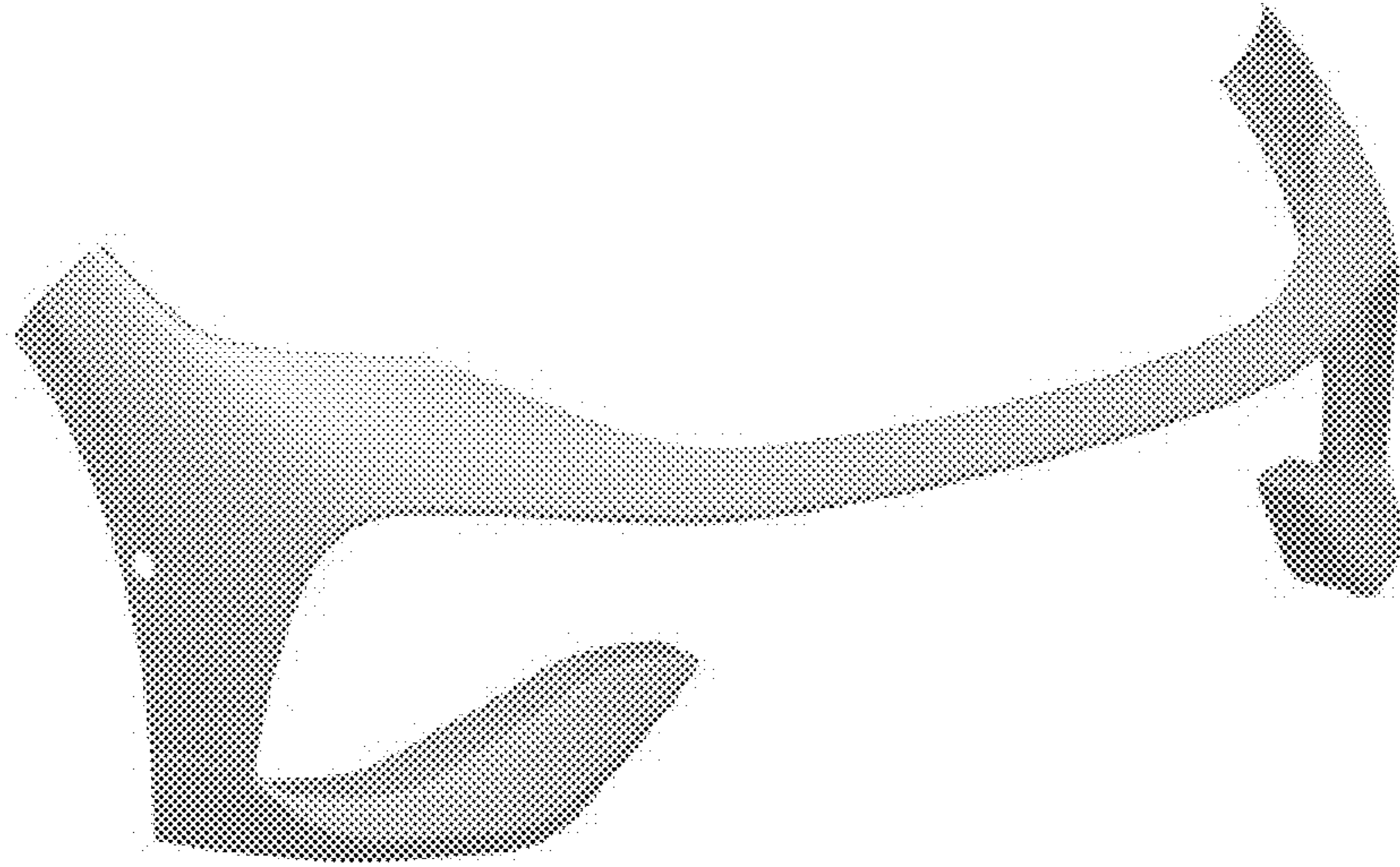
**DESCRIPTION**

FIG. 1 is a front and left side perspective view of a vehicle bumper unit showing my new design;  
FIG. 2 is a rear and right side perspective view thereof;  
FIG. 3 is a front view thereof;  
FIG. 4 is a rear view thereof;  
FIG. 5 is a left side view thereof;  
FIG. 6 is a right side view thereof;  
FIG. 7 is a bottom view thereof; and,  
FIG. 8 is a top view thereof.

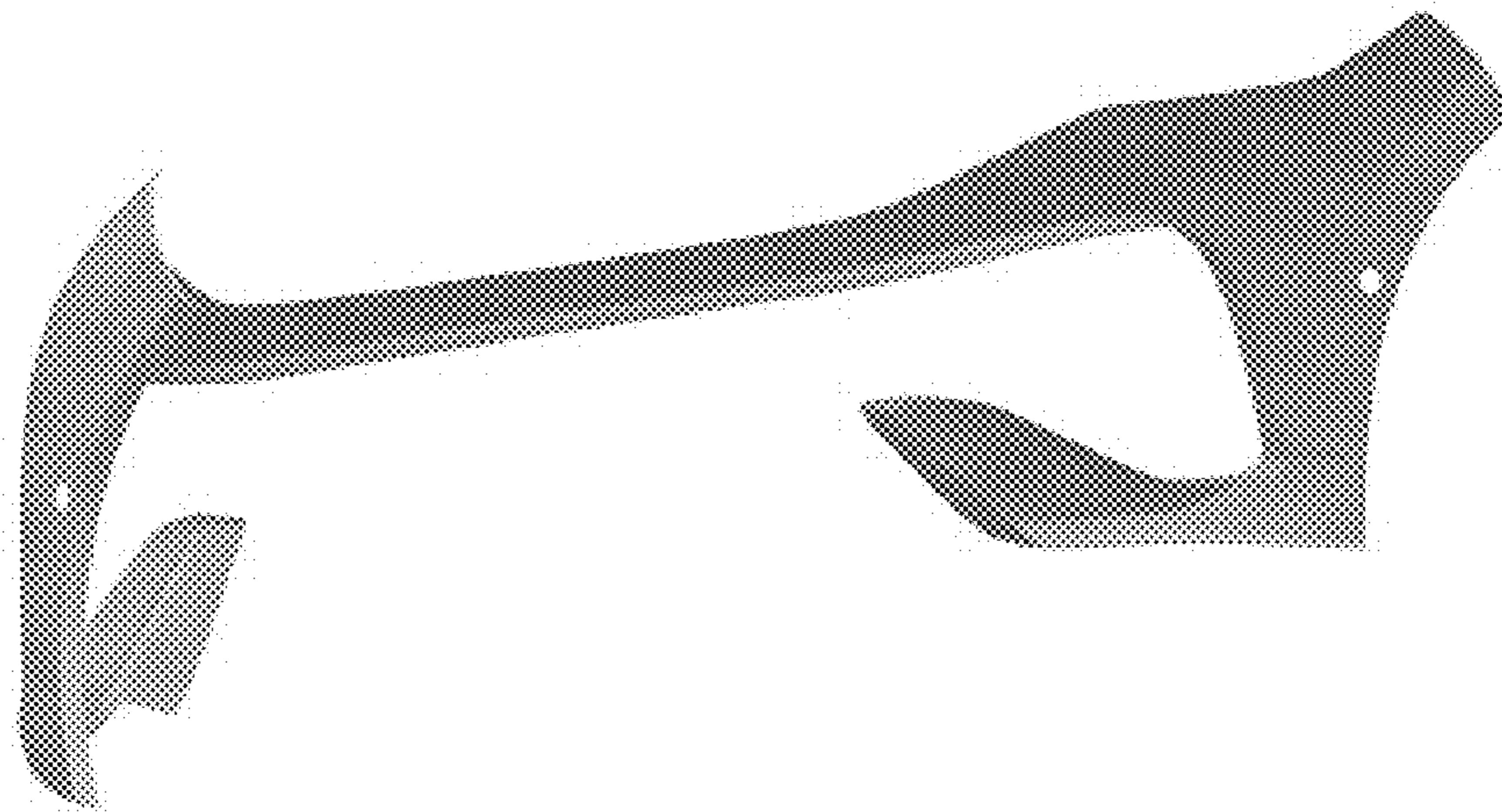
**1 Claim, 4 Drawing Sheets**

(56) **References Cited**  
U.S. PATENT DOCUMENTS  
D600,602 S \* 9/2009 Endoh ..... D12/169  
D664,904 S \* 8/2012 Koyama ..... D12/169  
D708,997 S \* 7/2014 Koizumi ..... D12/169  
D736,683 S \* 8/2015 Glover ..... D12/169  
D855,502 S \* 8/2019 Behmer ..... D12/163  
D877,668 S \* 3/2020 Bucher ..... D12/169

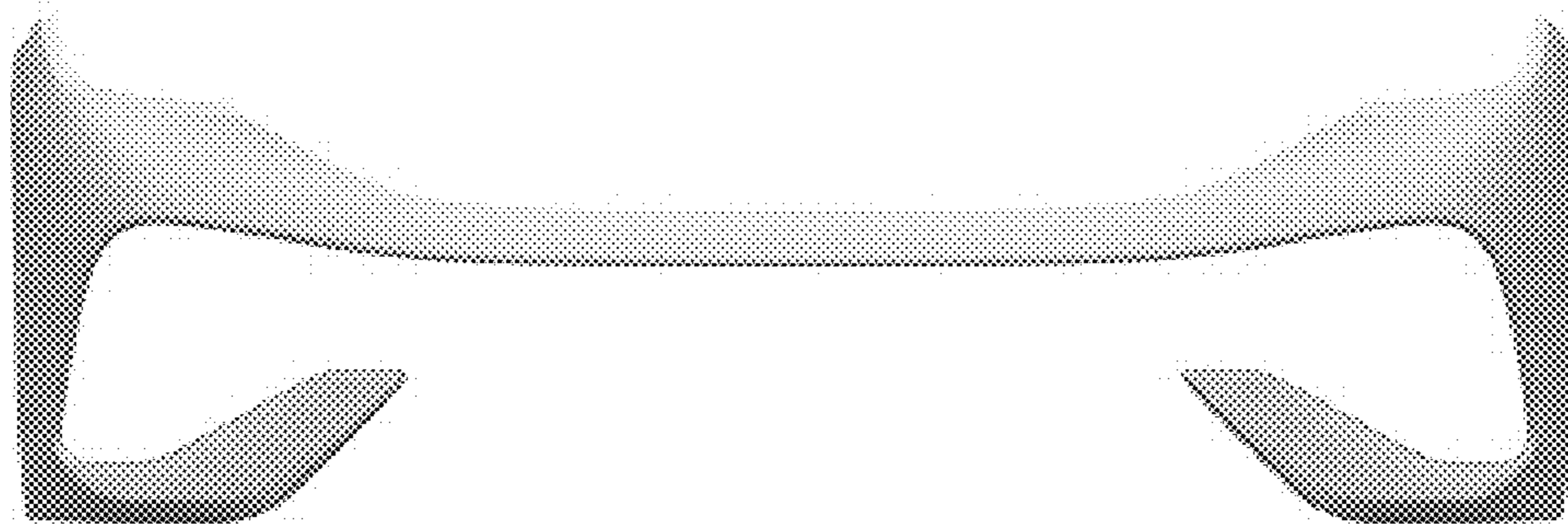




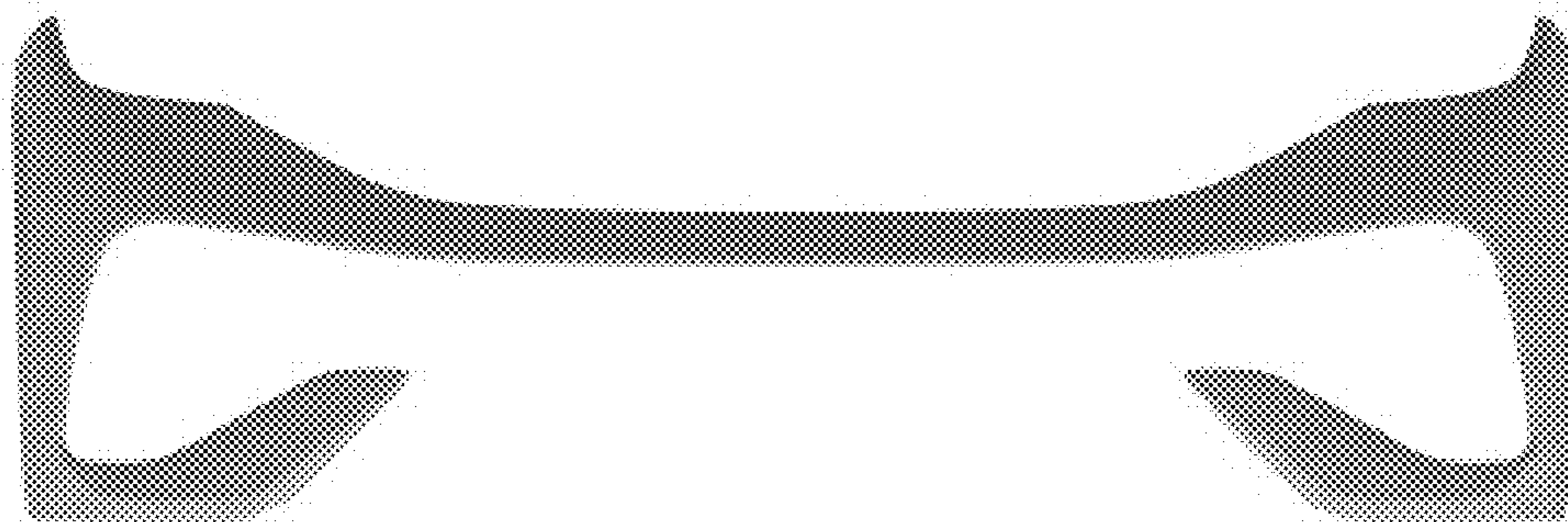
**Fig. 1**



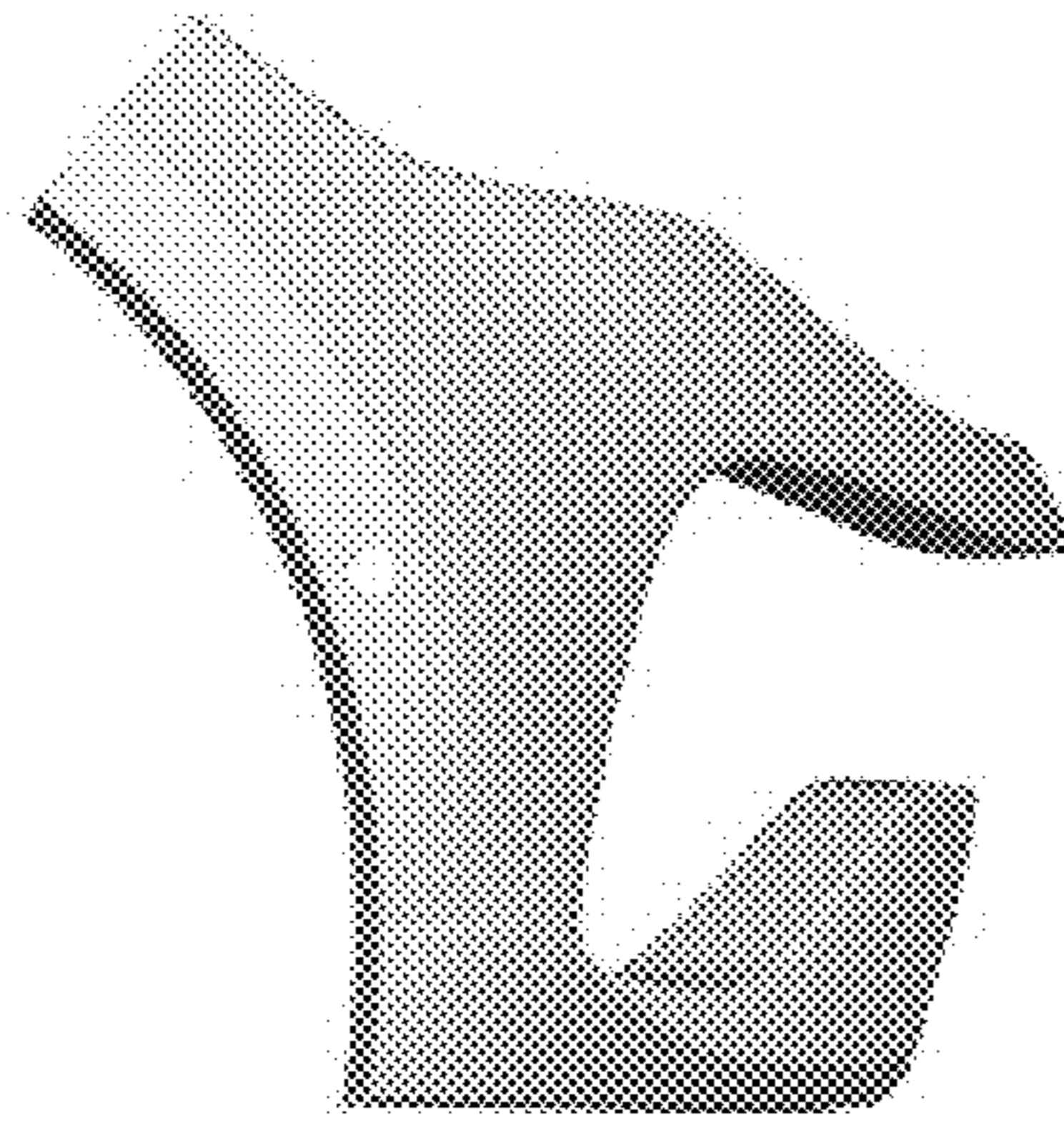
**Fig. 2**



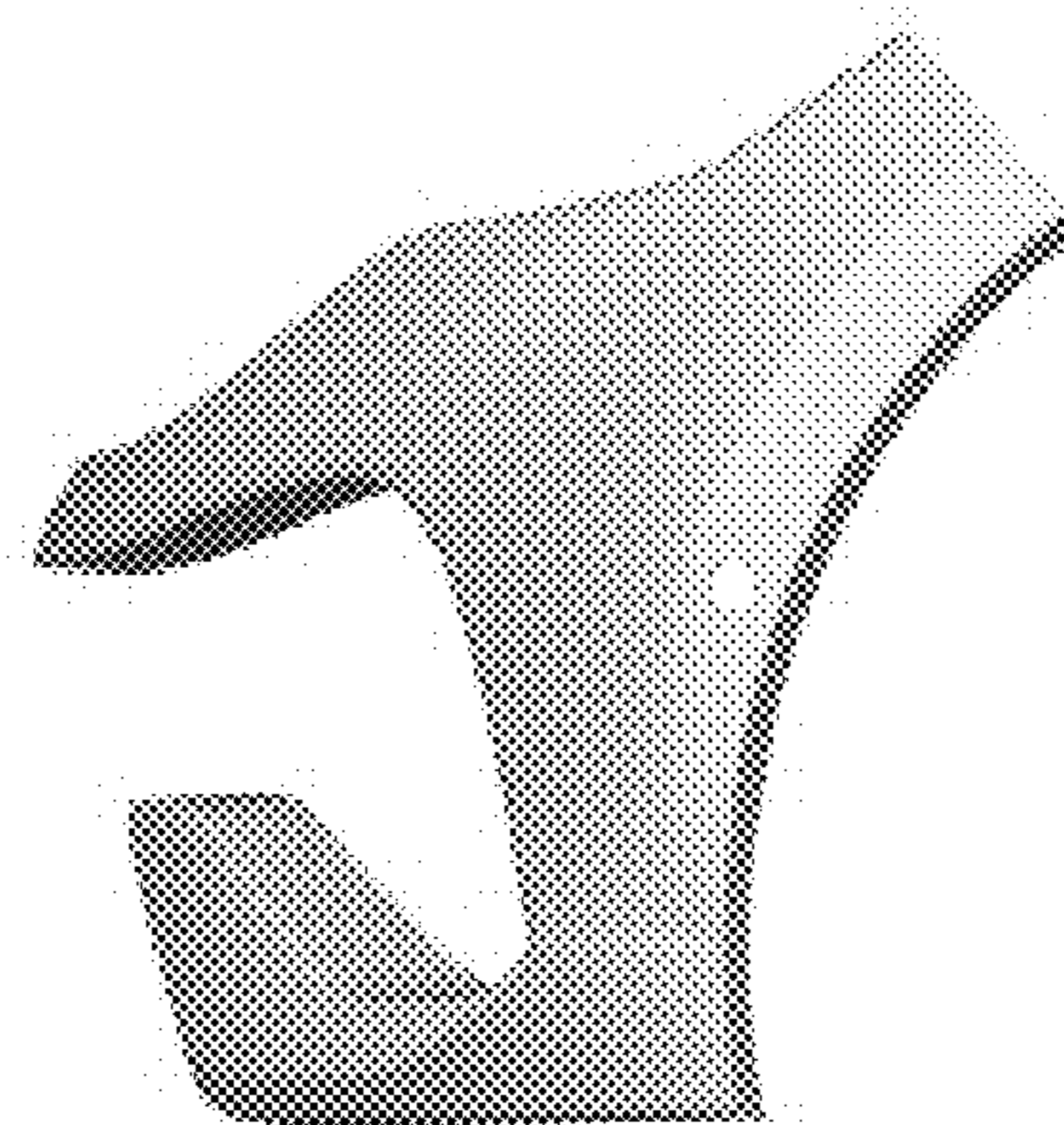
**Fig. 3**



**Fig. 4**



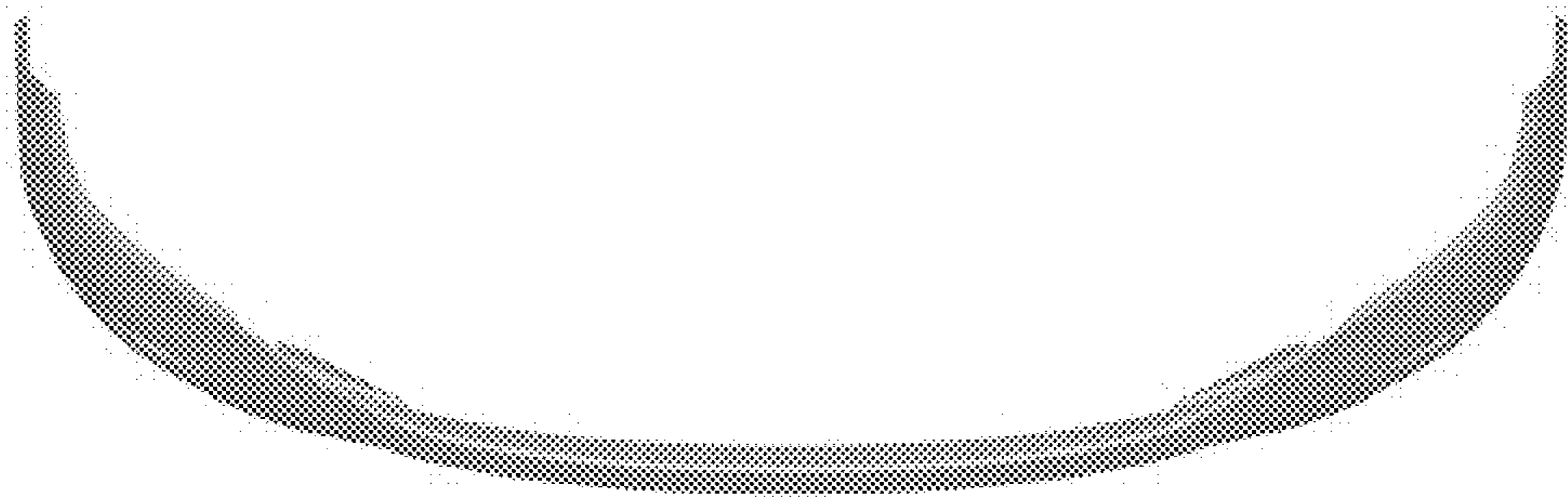
**Fig. 5**



**Fig. 6**



**Fig. 7**



**Fig. 8**