

US00D969039S

(12) **United States Design Patent** (10) **Patent No.:** **US D969,039 S**
Sterner et al. (45) **Date of Patent:** **** Nov. 8, 2022**

(54) **FRONT END OF AN AUTOMOBILE EXTERIOR**

(71) Applicant: **VOLVO CAR CORPORATION**,
Gothenburg (SE)

(72) Inventors: **Örjan Sterner**, Västra Frölunda (SE);
Eric Seunghun Beak, Torslanda (SE)

(73) Assignee: **VOLVO CAR CORPORATION**,
Gothenburg (SE)

(**) Term: **15 Years**

(21) Appl. No.: **29/744,292**

(22) Filed: **Jul. 28, 2020**

(30) **Foreign Application Priority Data**

Feb. 5, 2020 (EM) 007663273-0001

(51) **LOC (13) Cl.** **12-16**

(52) **U.S. Cl.**
USPC **D12/164**

(58) **Field of Classification Search**
USPC D12/86, 90-92, 88, 164; D21/424, 433,
D21/434, 533; 296/181.1-181.5, 183.1
CPC B62D 25/00; B62D 33/00; B62D 35/00
See application file for complete search history.

(56) **References Cited**

U.S. PATENT DOCUMENTS

D642,494 S * 8/2011 Loeb D12/91
D699,156 S * 2/2014 Perini D12/92
D775,009 S * 12/2016 Baum D12/169
D796,997 S * 9/2017 Varga D12/91
D802,479 S * 11/2017 Sakaue D12/91
D804,357 S * 12/2017 Jeon D12/91
D804,369 S * 12/2017 Akita D12/164
D814,353 S * 4/2018 Kim D12/91

D830,246 S * 10/2018 Yoshimine D12/164
D830,906 S * 10/2018 Yoshimine D12/91
D835,000 S * 12/2018 Tomasson D12/91
D864,025 S * 10/2019 Tomasson D12/91
D872,650 S * 1/2020 Tomasson D12/91
D881,755 S * 4/2020 Tomasson D12/91
D892,685 S * 8/2020 Ishizuka D12/164
D894,047 S * 8/2020 Tomasson D12/91
D906,440 S * 12/2020 Sterner D12/91
D926,081 S * 7/2021 Zvenigorodskyy D12/91
D929,904 S * 9/2021 Noguchi D12/91
D931,144 S * 9/2021 Sterner D12/91

FOREIGN PATENT DOCUMENTS

EM 001405690-0001 1/2014

* cited by examiner

Primary Examiner — Melody N Brown

(74) *Attorney, Agent, or Firm* — Berenato & White, LLC

(57) **CLAIM**

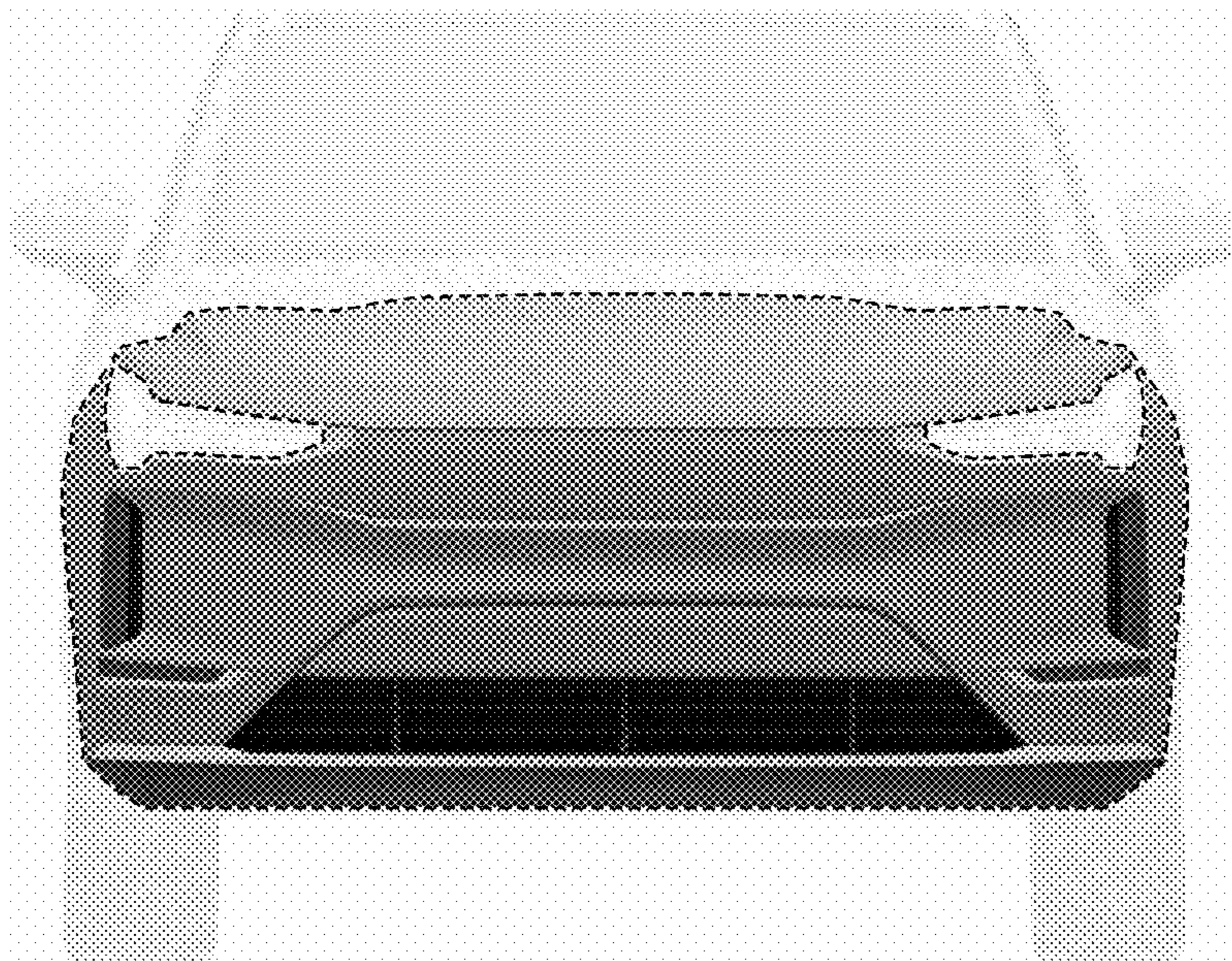
The ornamental design for a front end of an automobile exterior, as shown and described.

DESCRIPTION

FIG. 1 is a front view of a front end of an automobile exterior showing our new design;
FIG. 2 is a front and left side perspective view thereof;
FIG. 3 is a rear and right side perspective view thereof;
FIG. 4 is a left side view thereof;
FIG. 5 is a right side view thereof; and,
FIG. 6 is a top view thereof.

The portions of the vehicle shown in de-emphasized and half-tone portions outside the broken lines and the broken lines representing the boundary and configuration of what is claimed as the design are for environmental and illustrative purposes and form no part of the claimed design.

1 Claim, 6 Drawing Sheets



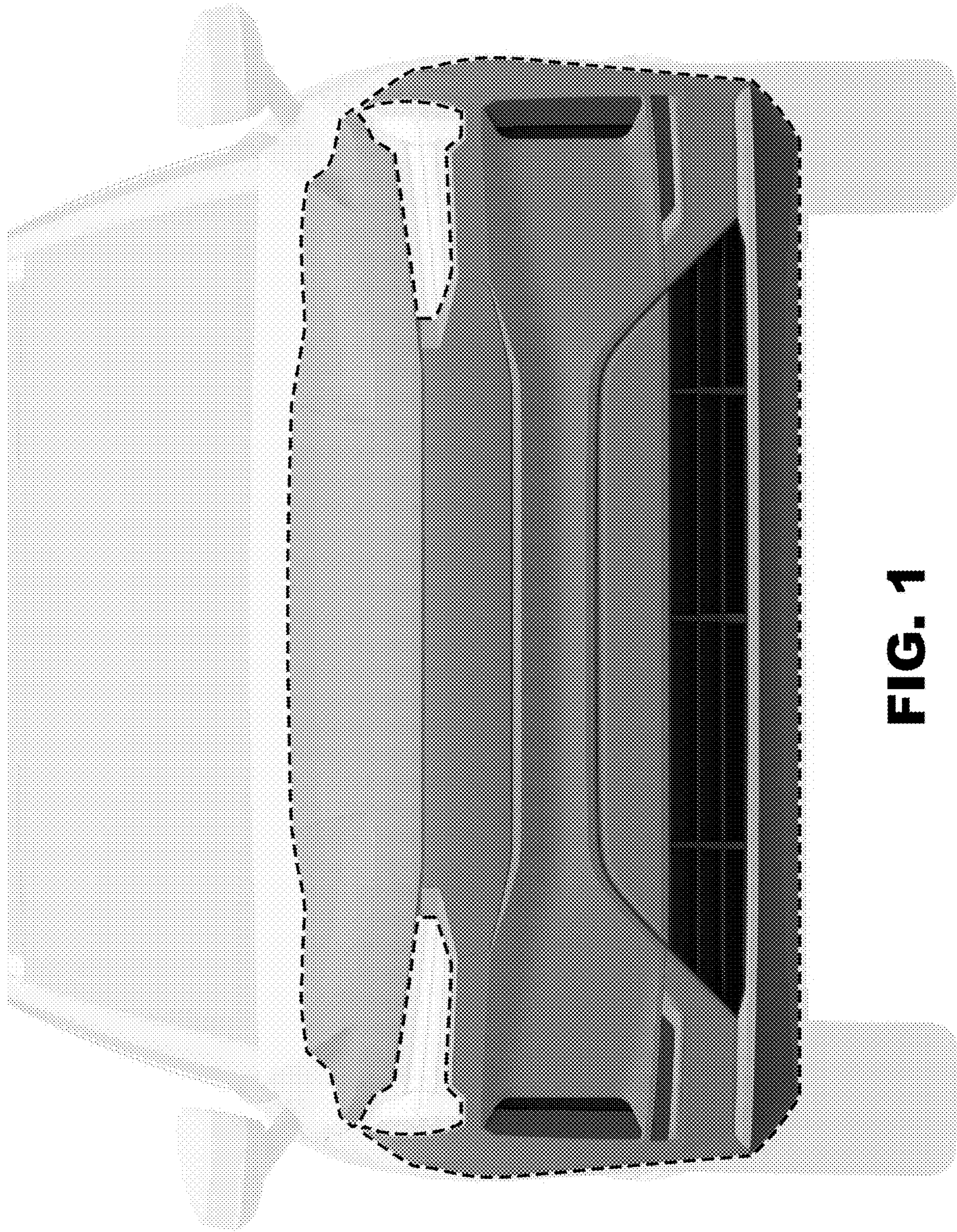


FIG. 1

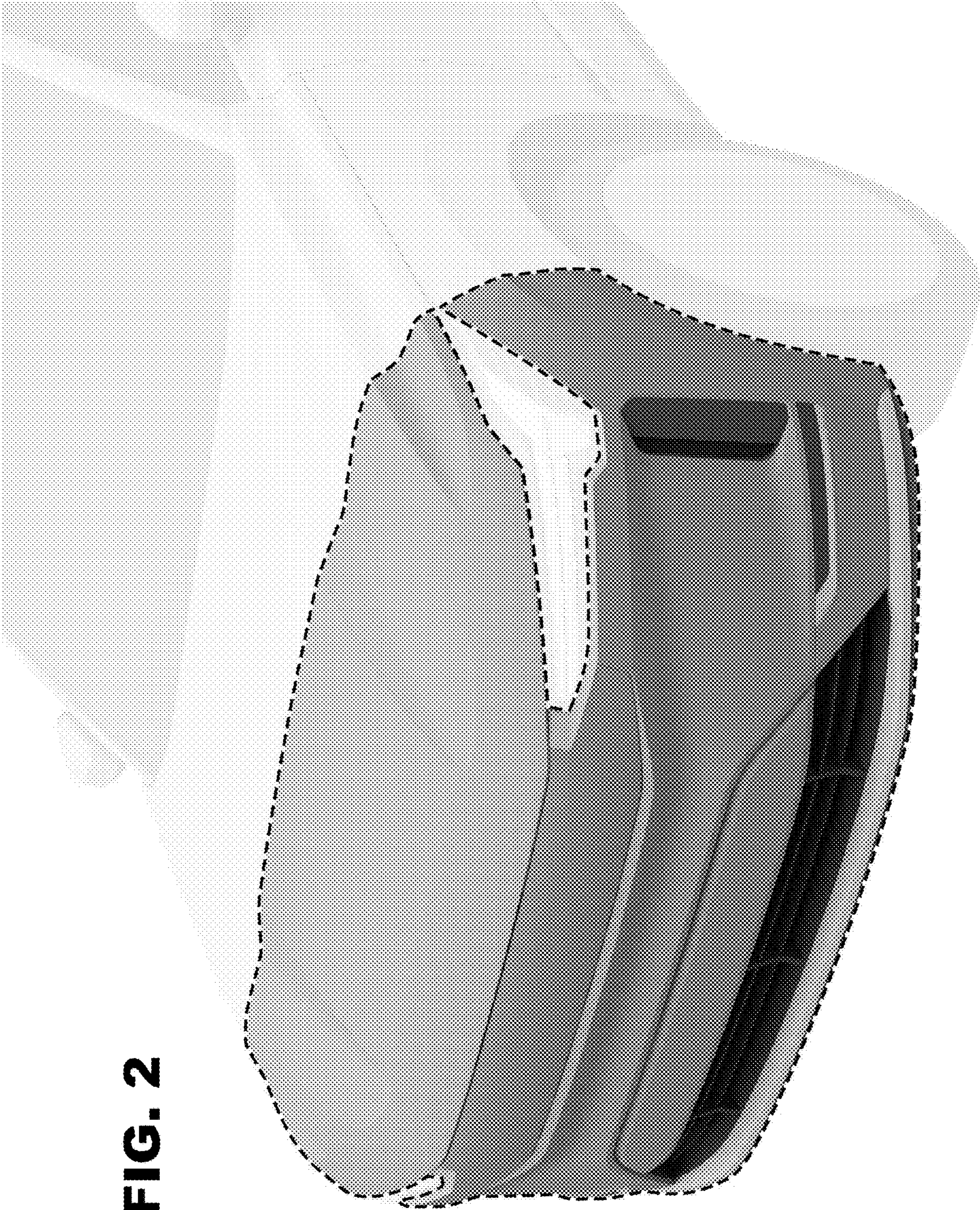
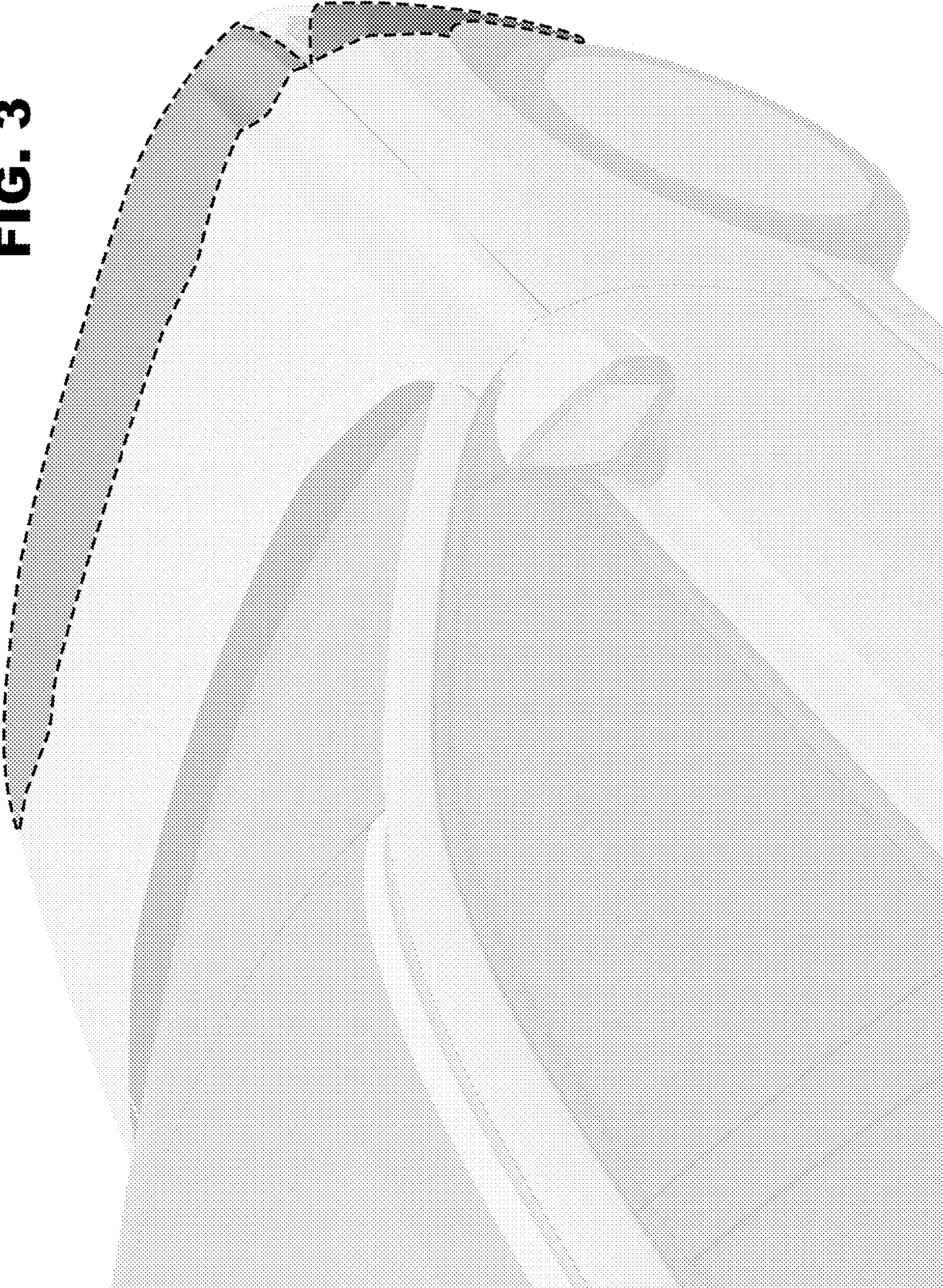


FIG. 2

FIG. 3



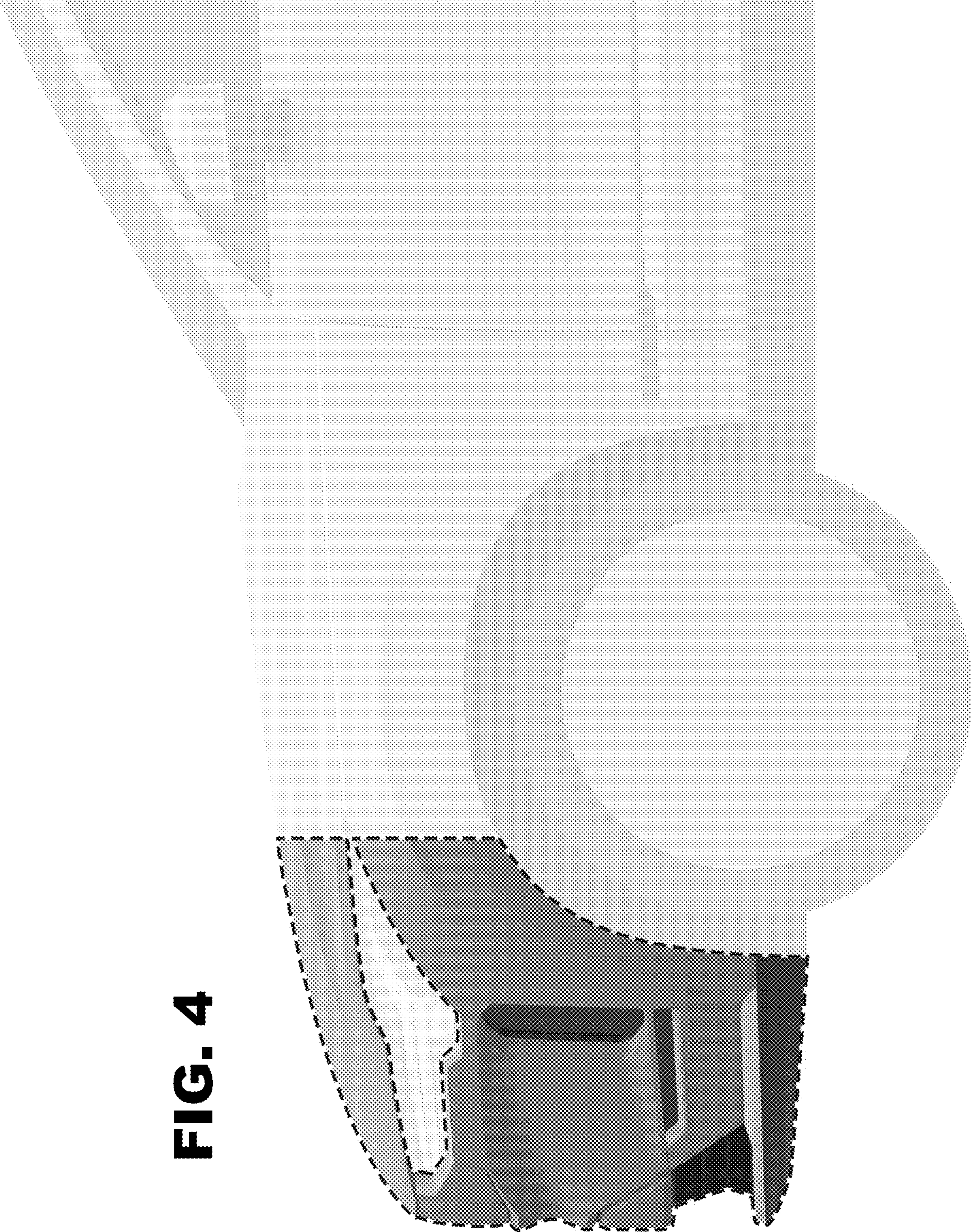
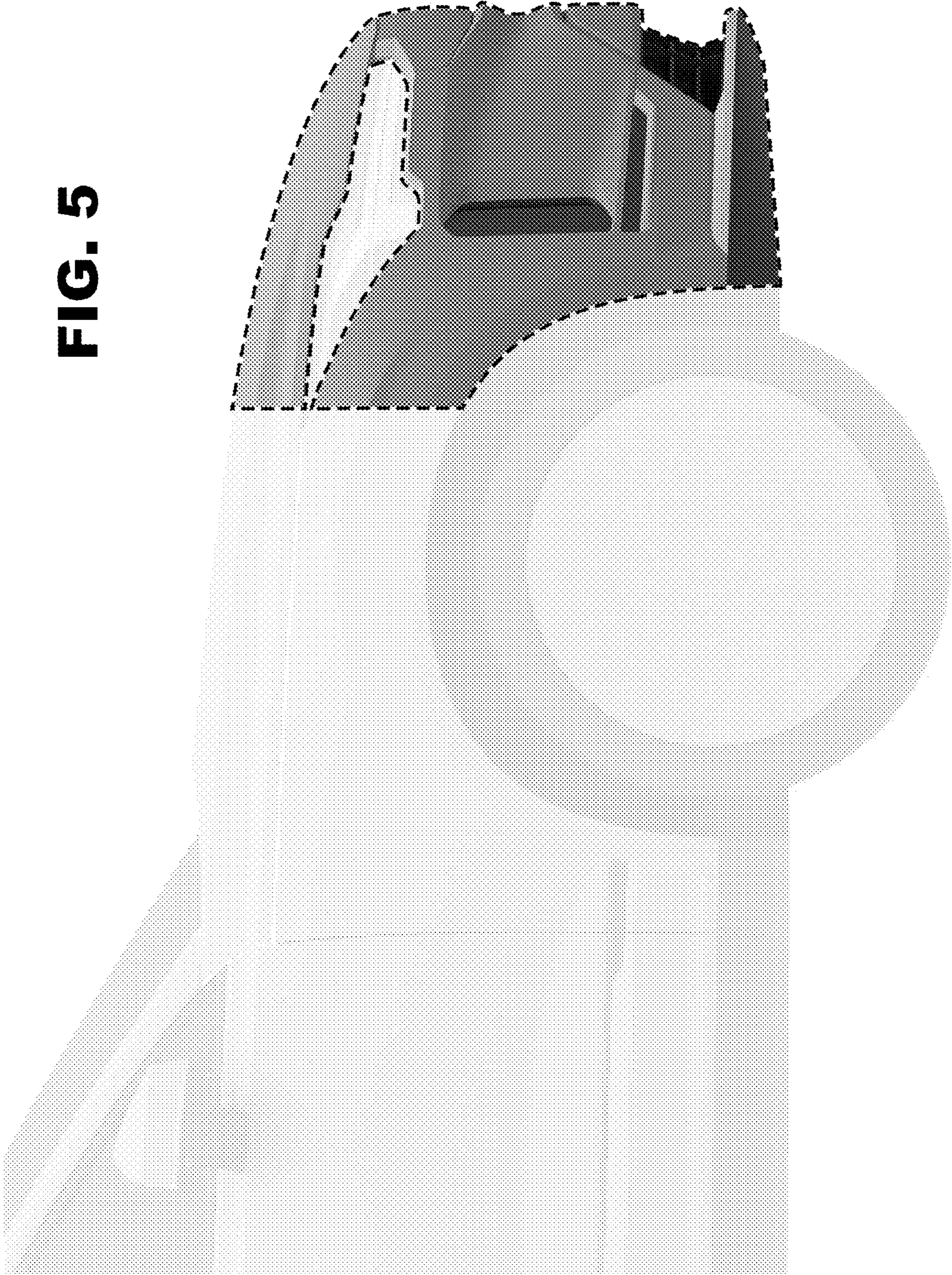


FIG. 4

FIG. 5



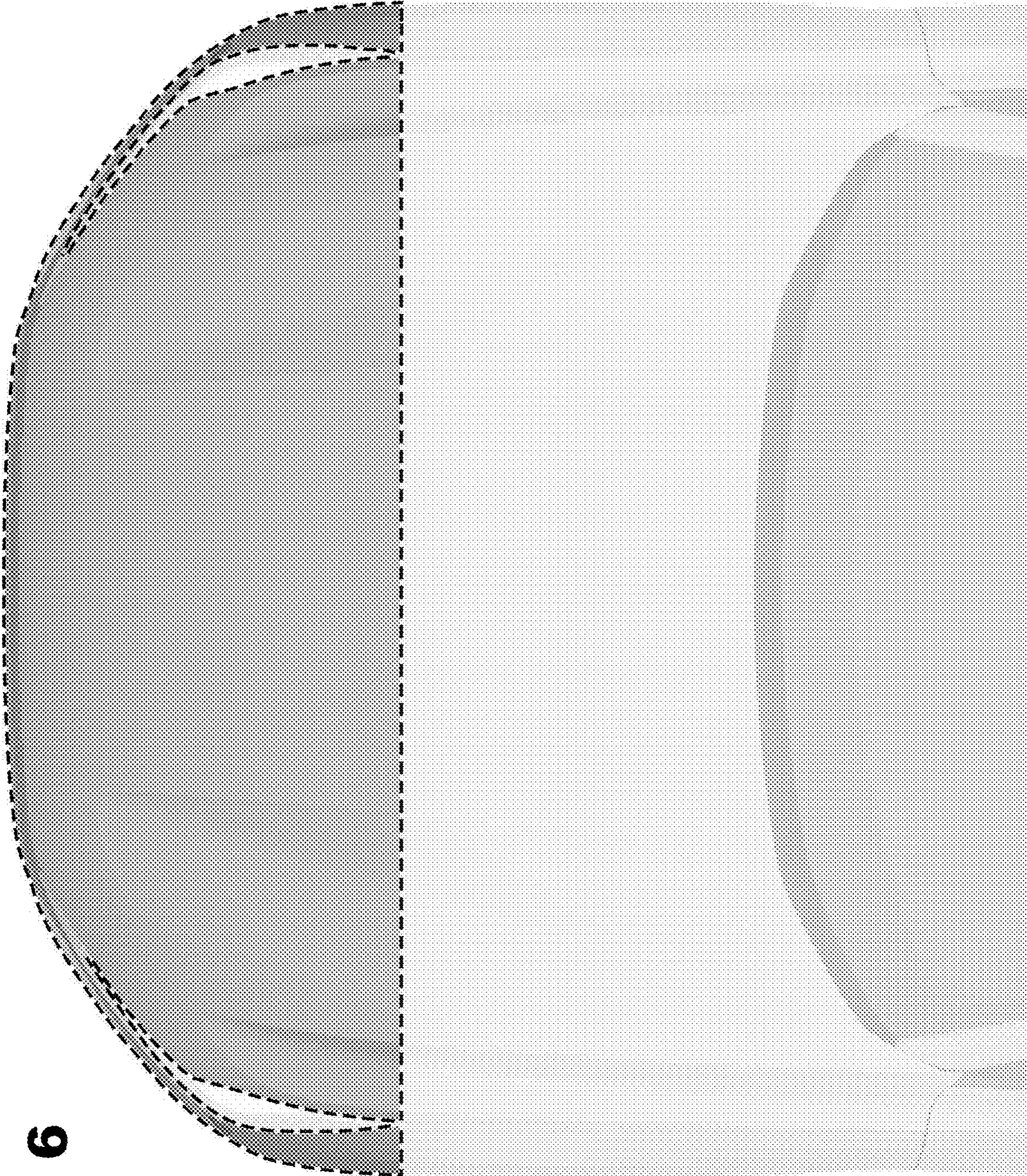


FIG. 6