



US00D969036S

(12) **United States Design Patent**
Mascull

(10) **Patent No.:** **US D969,036 S**

(45) **Date of Patent:** **** Nov. 8, 2022**

(54) **SET OF CONTOURING UNITS**

(71) Applicant: **ROGER THOMAS MASCULL AND ELIZABETH JOCELYN MASCULL AS TRUSTEES OF THE RT AND EJ FAMILY TRUST**, Rolleston (NZ)

(72) Inventor: **Roger Thomas Mascull**, Ashburton (NZ)

(73) Assignees: **Roger Thomas Mascull**, Rolleston (NZ), Trustees of the RT and EJ Family Trust; **Elizabeth Jocelyn Mascull**, Rolleston (NZ), Trustees of the RT and EJ Family Trust

(**) Term: **15 Years**

(21) Appl. No.: **29/686,958**

(22) Filed: **Apr. 9, 2019**

Related U.S. Application Data

(63) Continuation of application No. 29/559,630, filed on Mar. 30, 2016, now Pat. No. Des. 860,067.

(30) **Foreign Application Priority Data**

Sep. 30, 2015 (AU) 365754

(51) **LOC (13) Cl.** **12-12**

(52) **U.S. Cl.**
USPC **D12/133**

(58) **Field of Classification Search**
USPC D12/128–133
CPC A61G 5/00–14; A61G 15/00; A47C 27/10; A47C 27/15; A47C 27/20
See application file for complete search history.

(56) **References Cited**

U.S. PATENT DOCUMENTS

3,720,956 A 3/1973 Zysman
3,720,966 A * 3/1973 Zysman A47C 7/20
297/DIG. 2

4,484,778 A 11/1984 Cousins et al.
5,101,811 A 4/1992 Brunswick
D435,305 S * 12/2000 Pullen D25/164
7,120,956 B1 * 10/2006 Liao A47C 23/002
5/719
7,740,015 B2 * 6/2010 Hyde A61F 5/05
128/845
7,865,989 B2 * 1/2011 Steppat A47C 27/144
5/719
8,099,812 B2 * 1/2012 Steppat A47C 27/144
5/655.9
8,307,481 B2 * 11/2012 Katan A61G 7/0573
5/709
8,584,286 B2 * 11/2013 Call A47C 7/021
5/654
D724,863 S * 3/2015 Seeker D6/601
2009/0265857 A1 * 10/2009 Habegger A61G 7/05715
5/709
2012/0131752 A1 5/2012 Mason

* cited by examiner

Primary Examiner — Charles D Hanson

(74) *Attorney, Agent, or Firm* — Merchant & Gould P.C.

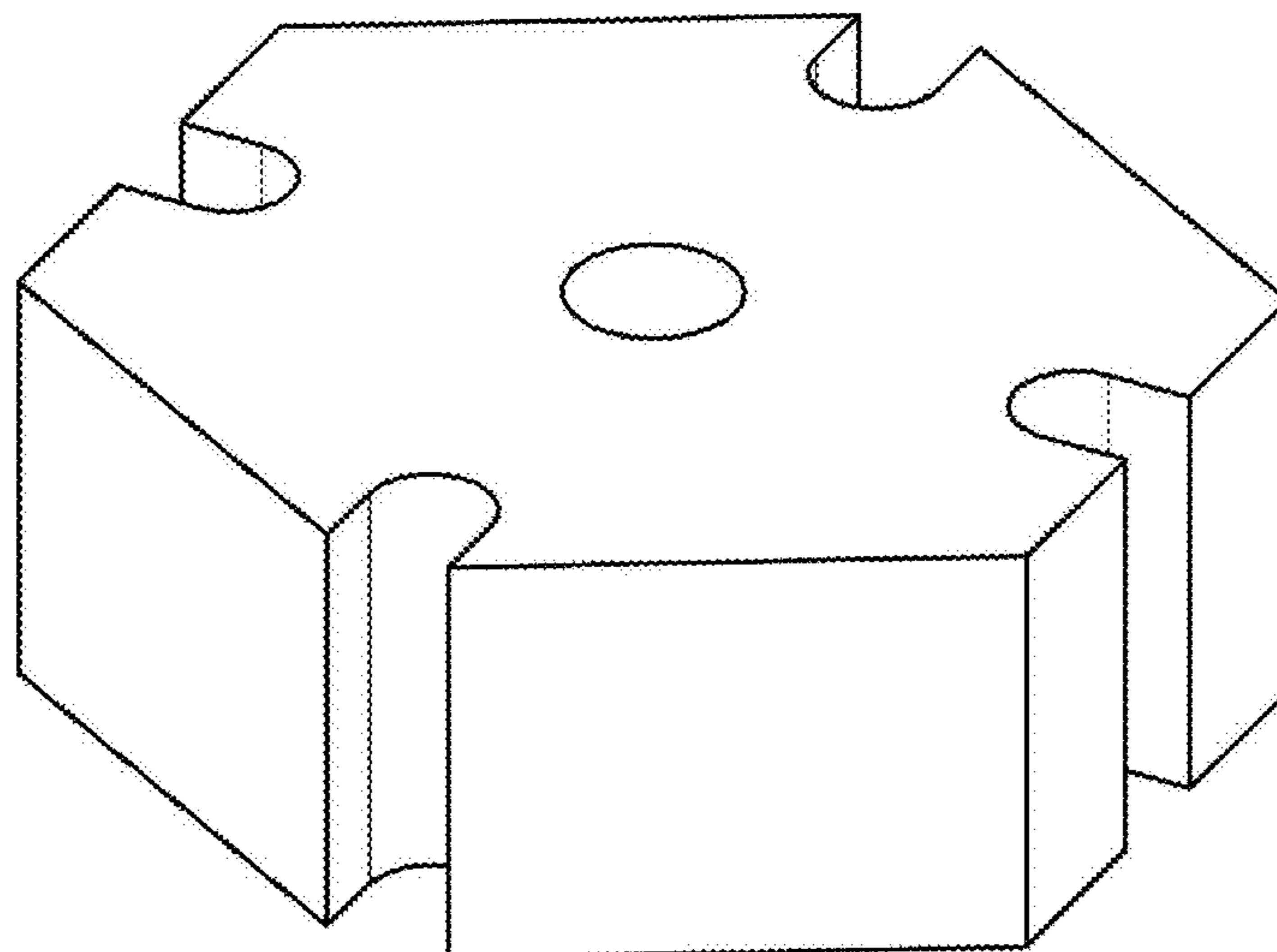
(57) **CLAIM**

The ornamental design for set of contouring units, as shown and described.

DESCRIPTION

FIG. 1 is a front perspective view of a first embodiment of my design;
FIG. 2 is a top plan view of FIG. 1;
FIG. 3 is a horizontal side view of FIG. 1;
FIG. 4 is a vertical side of FIG. 1;
FIG. 5 is a front perspective view of a second embodiment of my design;
FIG. 6 is a top plan view of FIG. 5;
FIG. 7 is a horizontal side view of FIG. 5; and,
FIG. 8 is a vertical side of FIG. 5.

1 Claim, 4 Drawing Sheets



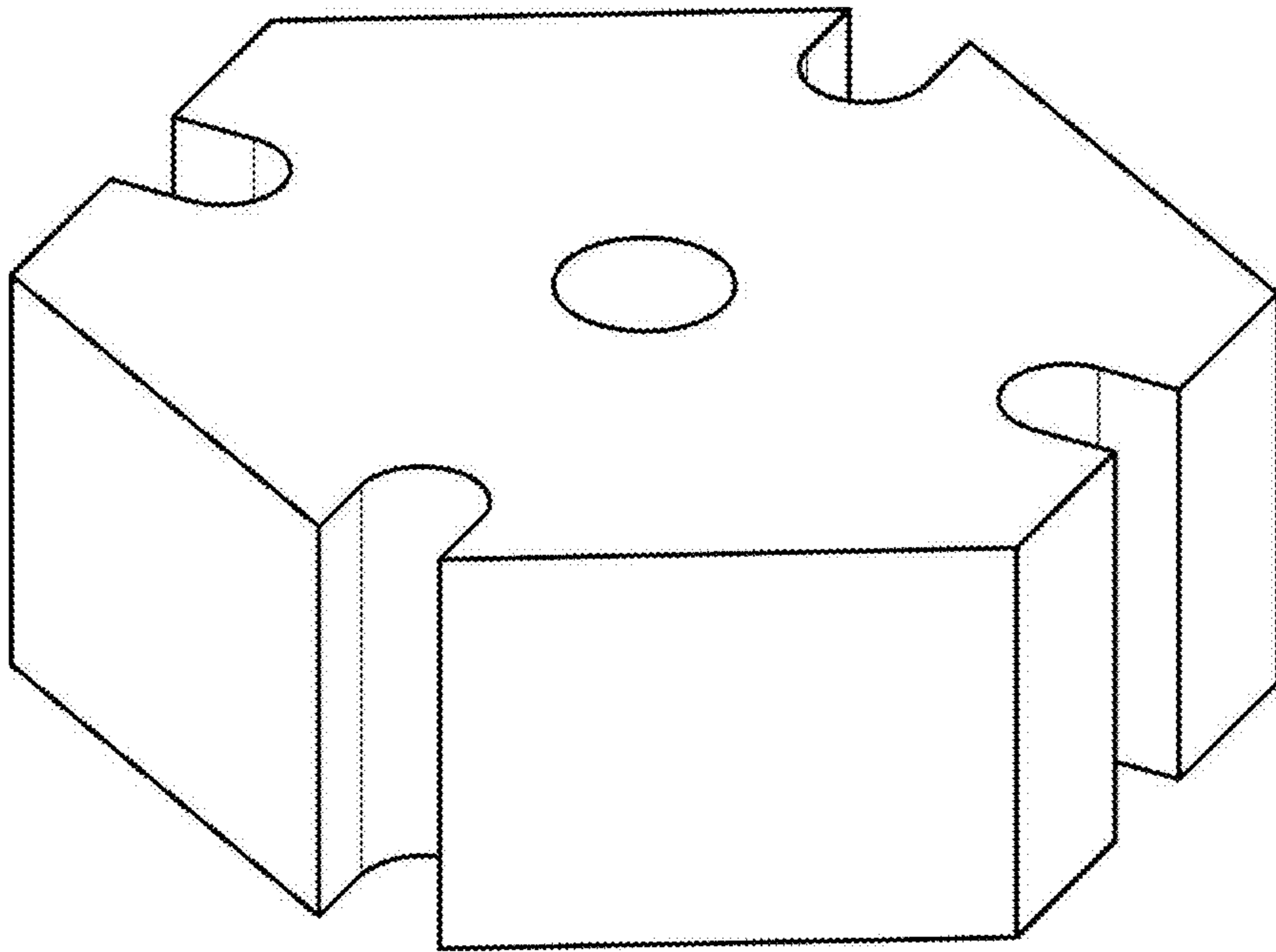


FIGURE 1

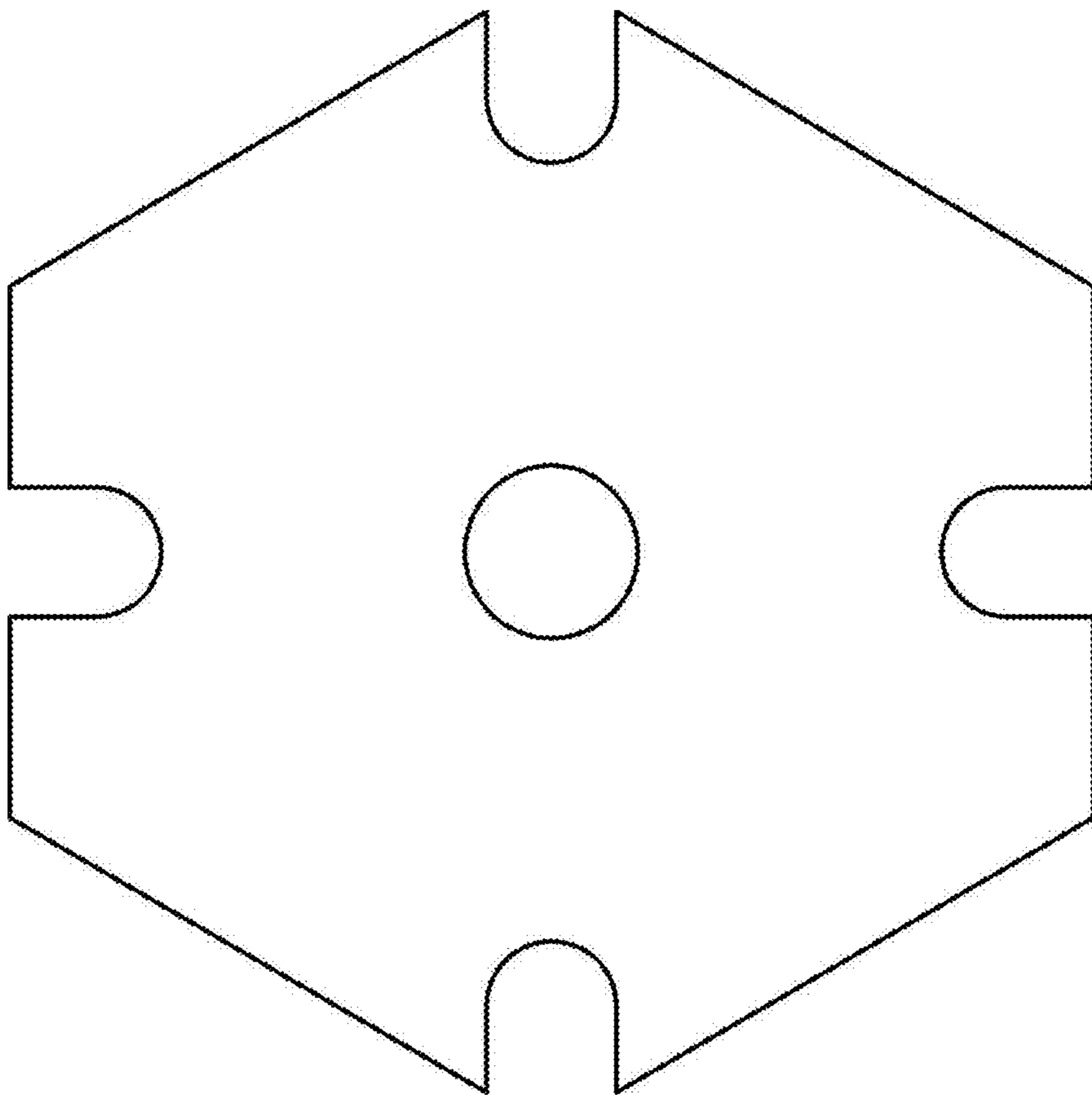


FIGURE 2

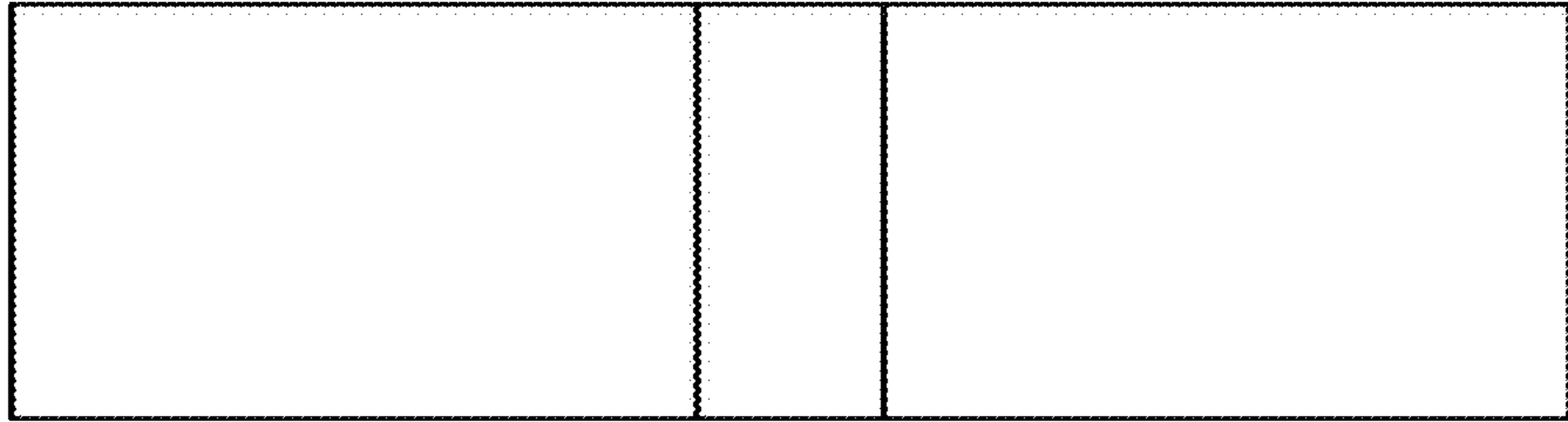


FIGURE 3

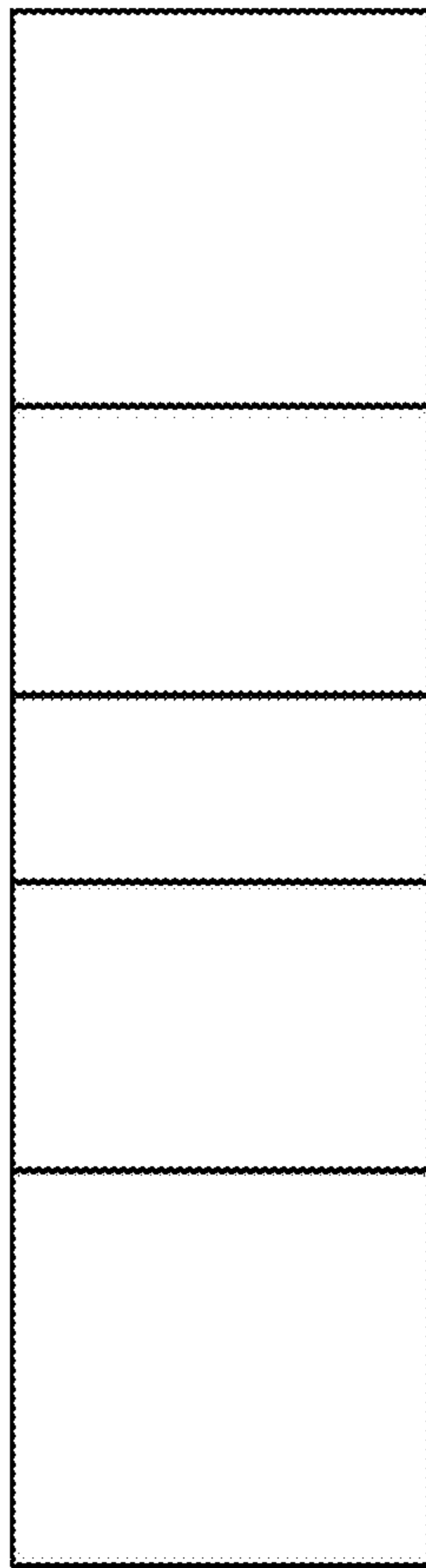


FIGURE 4

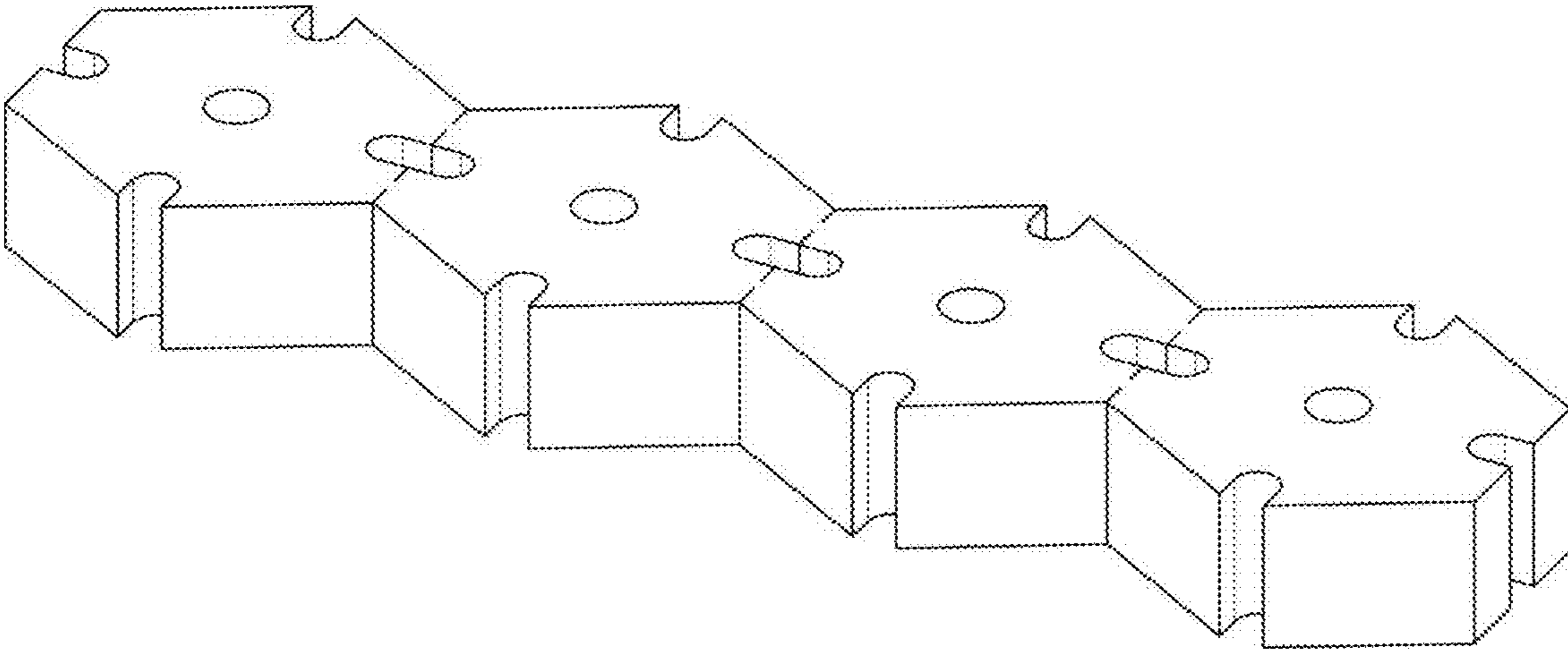


FIGURE 5

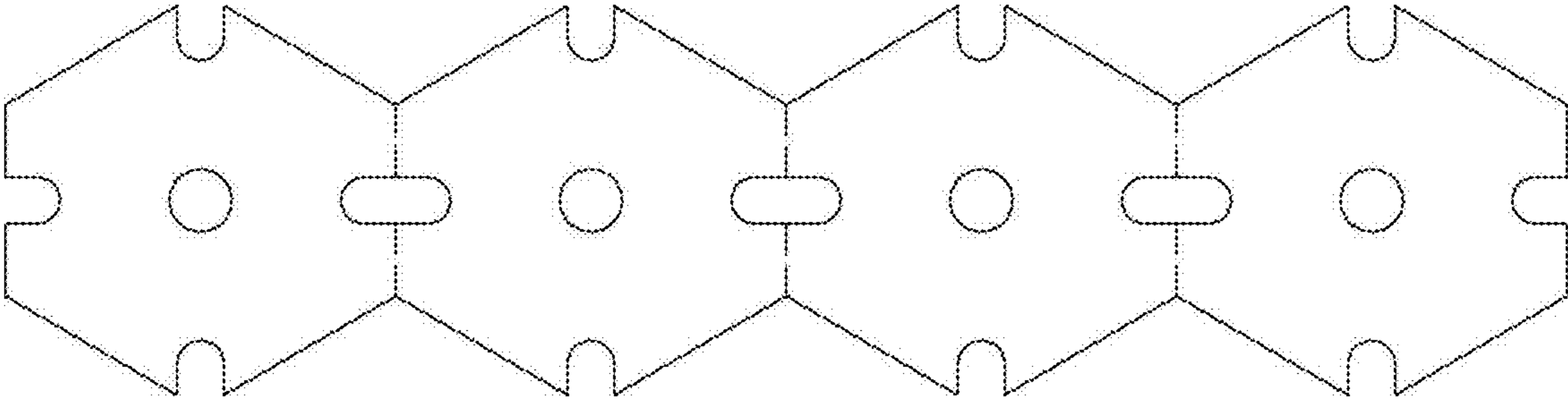


FIGURE 6

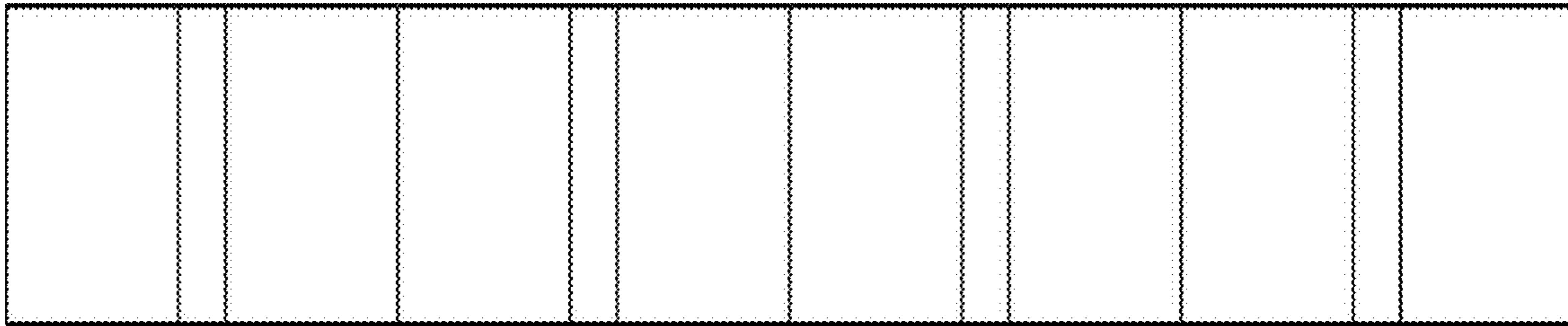


FIGURE 7

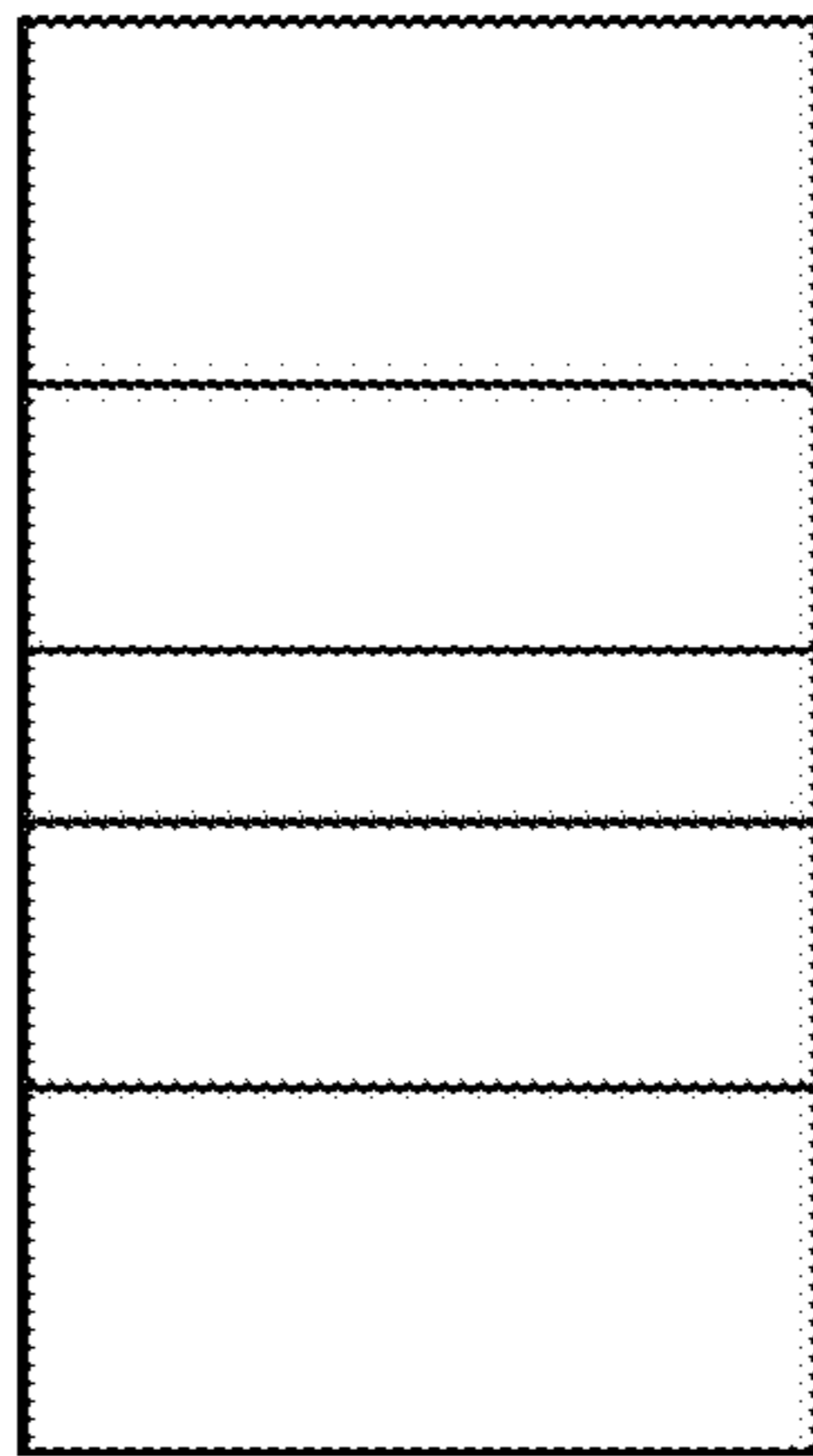


FIGURE 8