



US00D969035S

(12) **United States Design Patent**
Lu

(10) **Patent No.:** **US D969,035 S**
(45) **Date of Patent:** **** Nov. 8, 2022**

(54) **FOUR WHEELER**

Primary Examiner — Charles D Hanson

(71) Applicant: **Foshan HCT Medical Equipment Co., Ltd.**, Foshan (CN)

(72) Inventor: **Yonghua Lu**, Shangrao (CN)

(**) Term: **15 Years**

(21) Appl. No.: **29/780,209**

(22) Filed: **Apr. 23, 2021**

(30) **Foreign Application Priority Data**

Dec. 31, 2020 (CN) 202023349193.1

(51) **LOC (13) Cl.** **12-12**

(52) **U.S. Cl.**
USPC **D12/130**

(58) **Field of Classification Search**
USPC D12/130
CPC A61H 3/00; A61H 3/04; A61H
2003/001-007; A61H 2003/043; A61H
2003/046
See application file for complete search history.

(56) **References Cited**

U.S. PATENT DOCUMENTS

D396,437 S *	7/1998	Liljedahl	D12/130
D503,909 S *	4/2005	Tolfsen	D12/130
D519,423 S *	4/2006	Tolfsen	D12/130
D739,314 S *	9/2015	Wang	D12/130
D754,568 S *	4/2016	Wang	D12/130
D766,139 S *	9/2016	Chen	D12/130
D819,503 S *	6/2018	Huang	D12/130
D941,193 S *	1/2022	Cheng	D12/130
D953,210 S *	5/2022	Lu	D12/130
2014/0265238 A1 *	9/2014	Storm	A47C 7/52 280/304.1

* cited by examiner

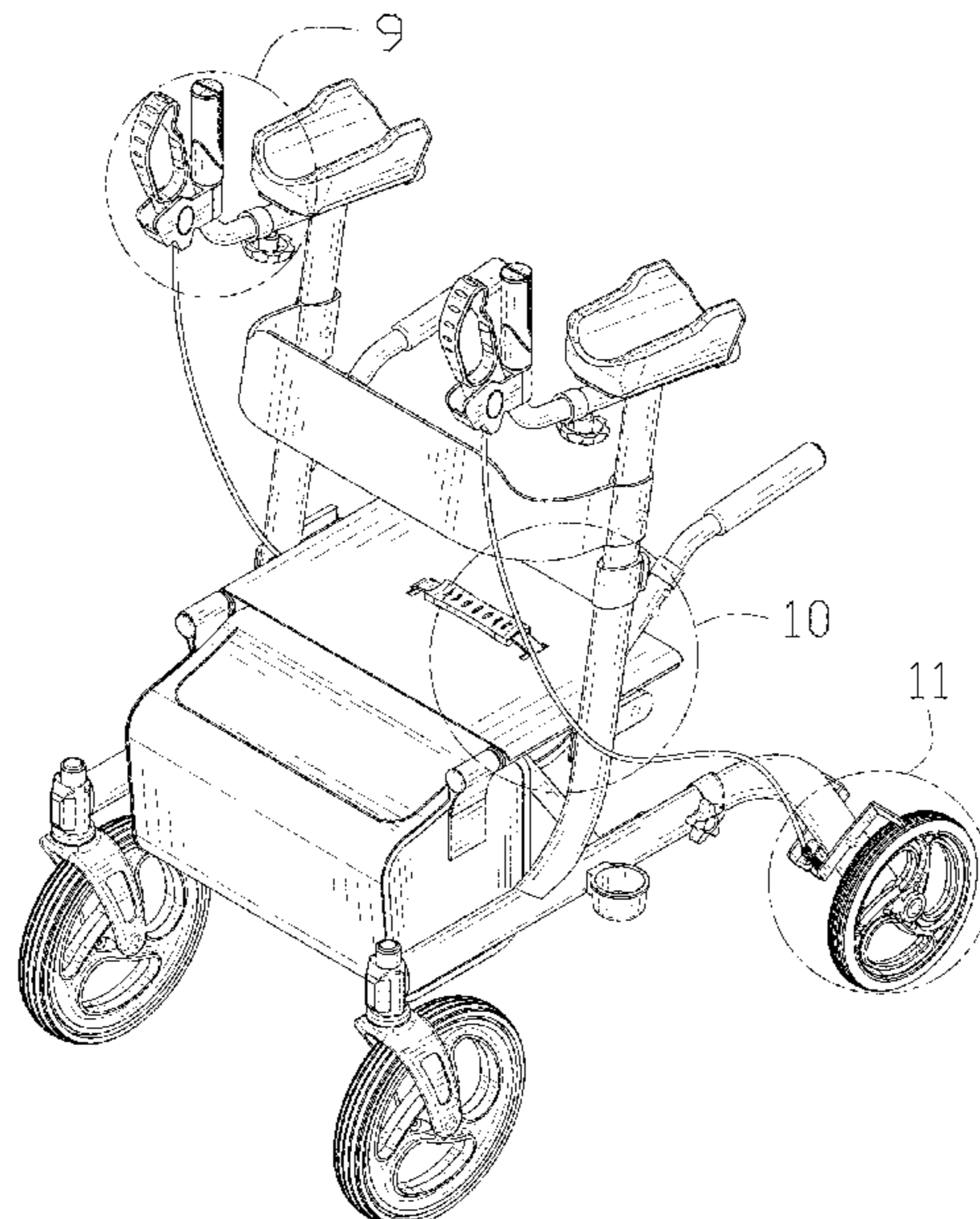
(57) **CLAIM**

The ornamental design for a four wheeler, as shown and described.

DESCRIPTION

FIG. 1 is a first perspective view of a four wheeler showing my new design;
 FIG. 2 is a second perspective view thereof;
 FIG. 3 is a front view thereof;
 FIG. 4 is a back view thereof;
 FIG. 5 is a left side view thereof;
 FIG. 6 is a right side view thereof;
 FIG. 7 is a top view thereof;
 FIG. 8 is a bottom view thereof;
 FIG. 9 is an enlarged view of the selected portion in FIG. 1;
 FIG. 10 is an enlarged view of the selected portion in FIG. 1;
 FIG. 11 is an enlarged view of the selected portion in FIG. 1;
 FIG. 12 is an enlarged view of the selected portion in FIG. 2;
 FIG. 13 is an enlarged view of the selected portion in FIG. 2;
 FIG. 14 is an enlarged view of the selected portion in FIG. 2; and,
 FIG. 15 is an enlarged view of the selected portion in FIG. 7.
 The broken lines shown in the drawings depict portions of the four wheeler in which the design is embodied that form no part of the claimed design.

1 Claim, 15 Drawing Sheets



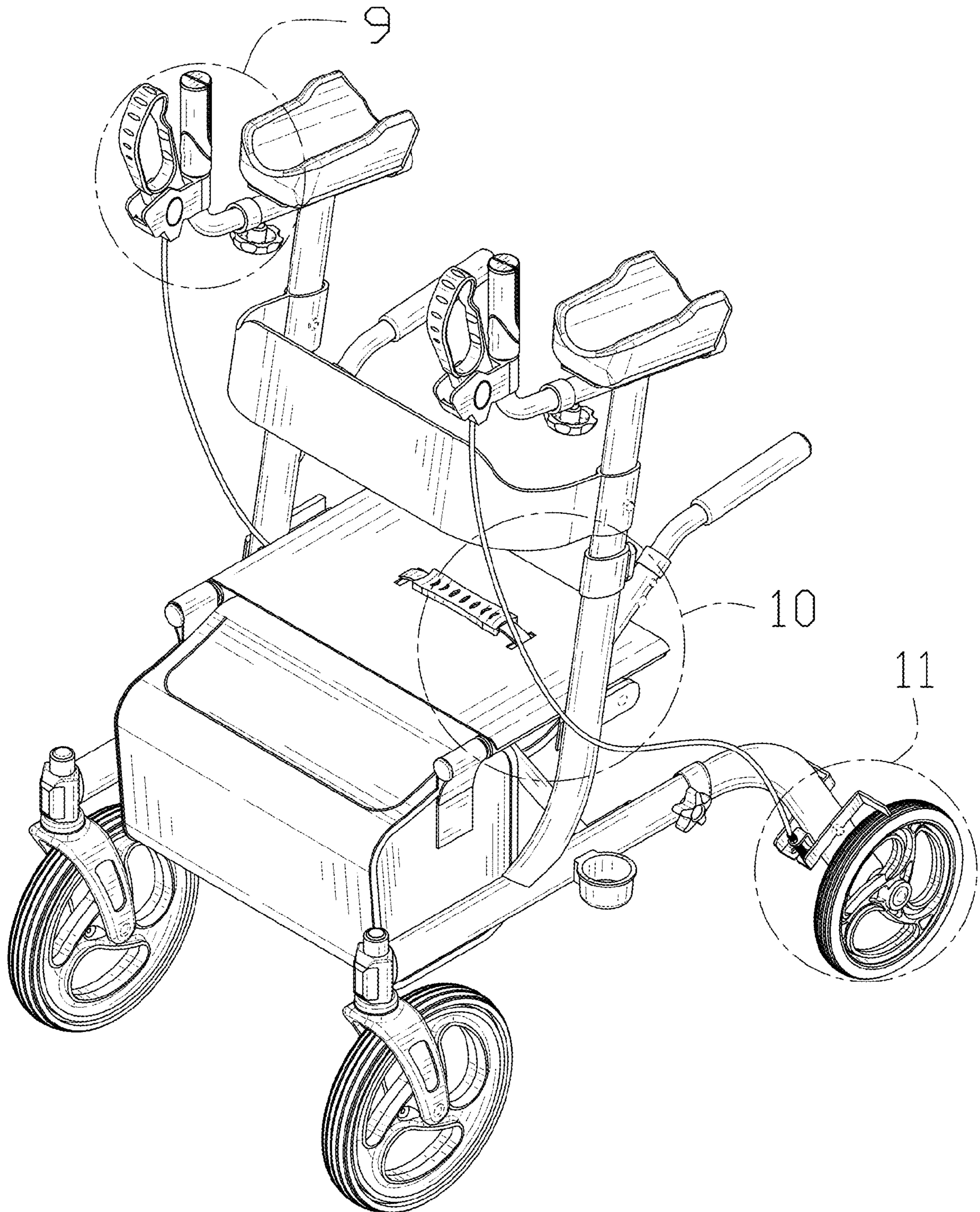


FIG. 1

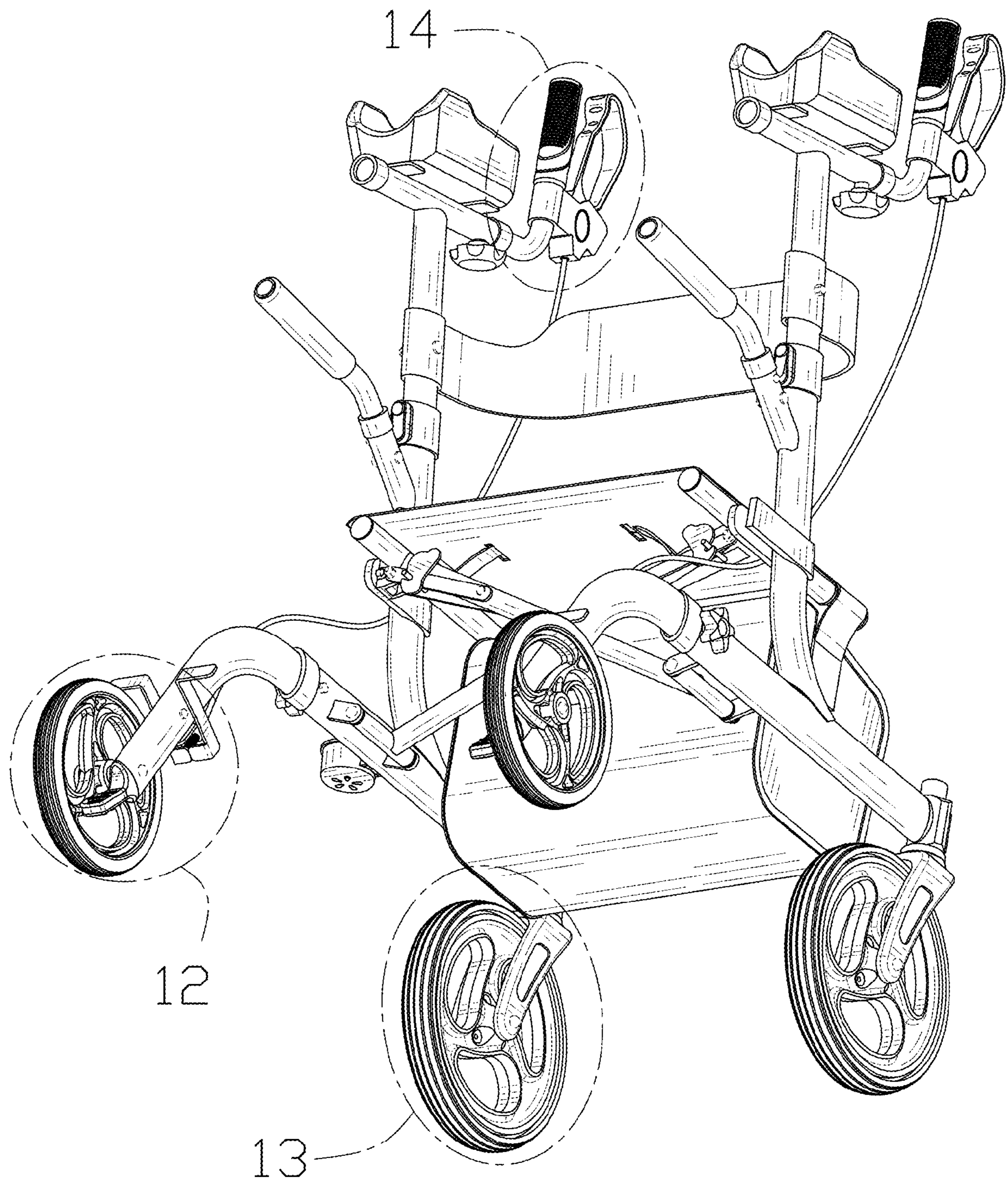


FIG. 2

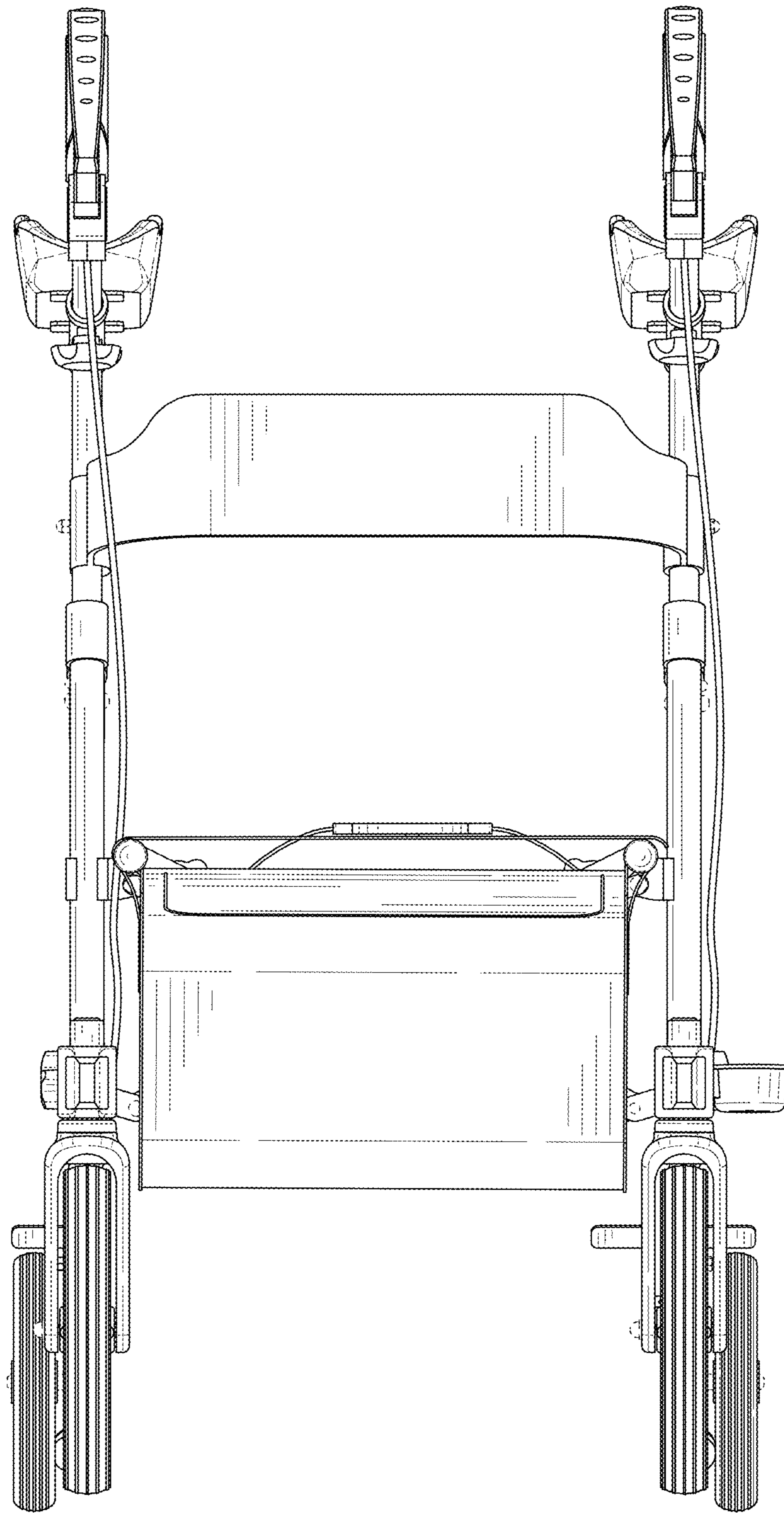


FIG. 3

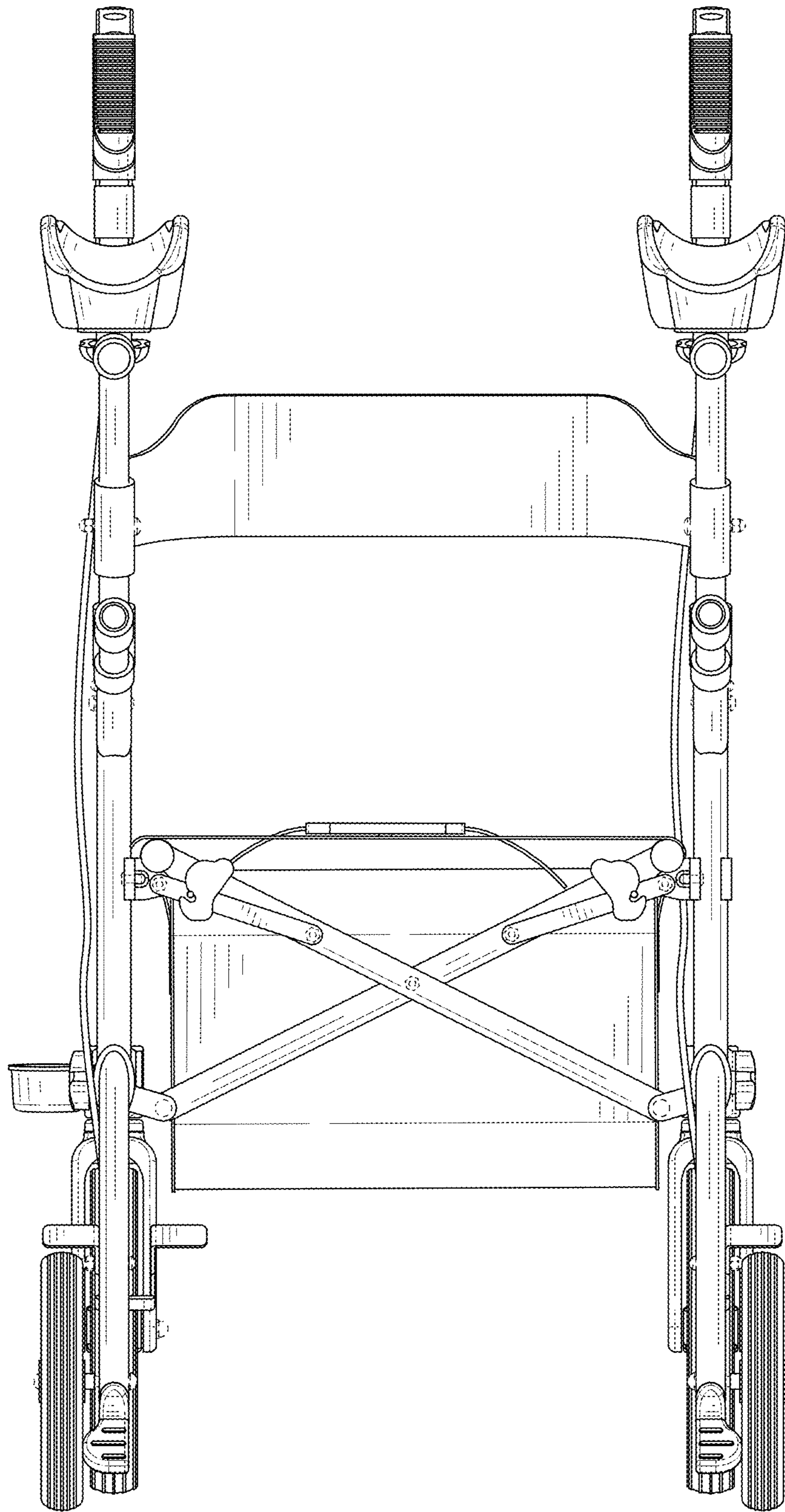


FIG. 4

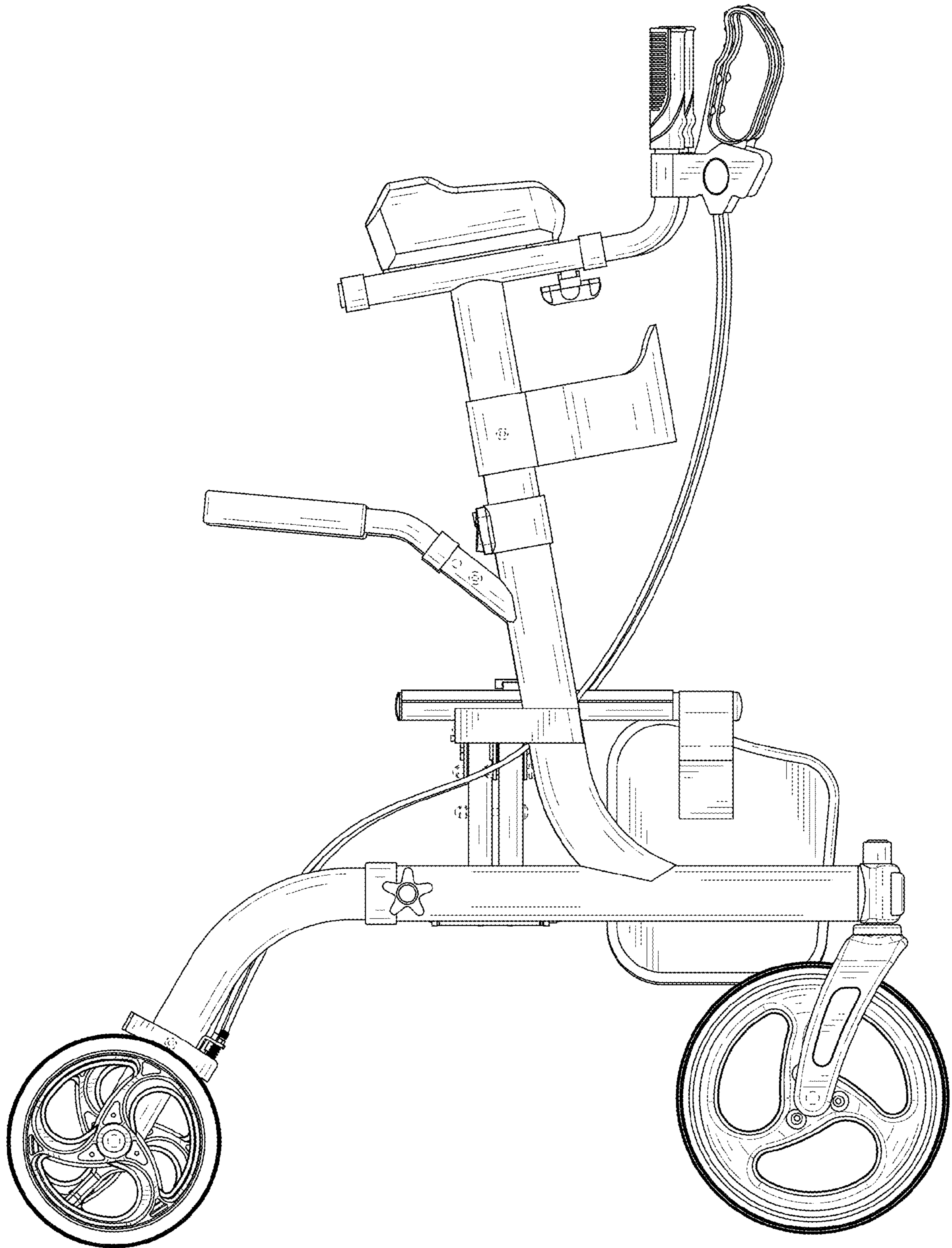


FIG. 5

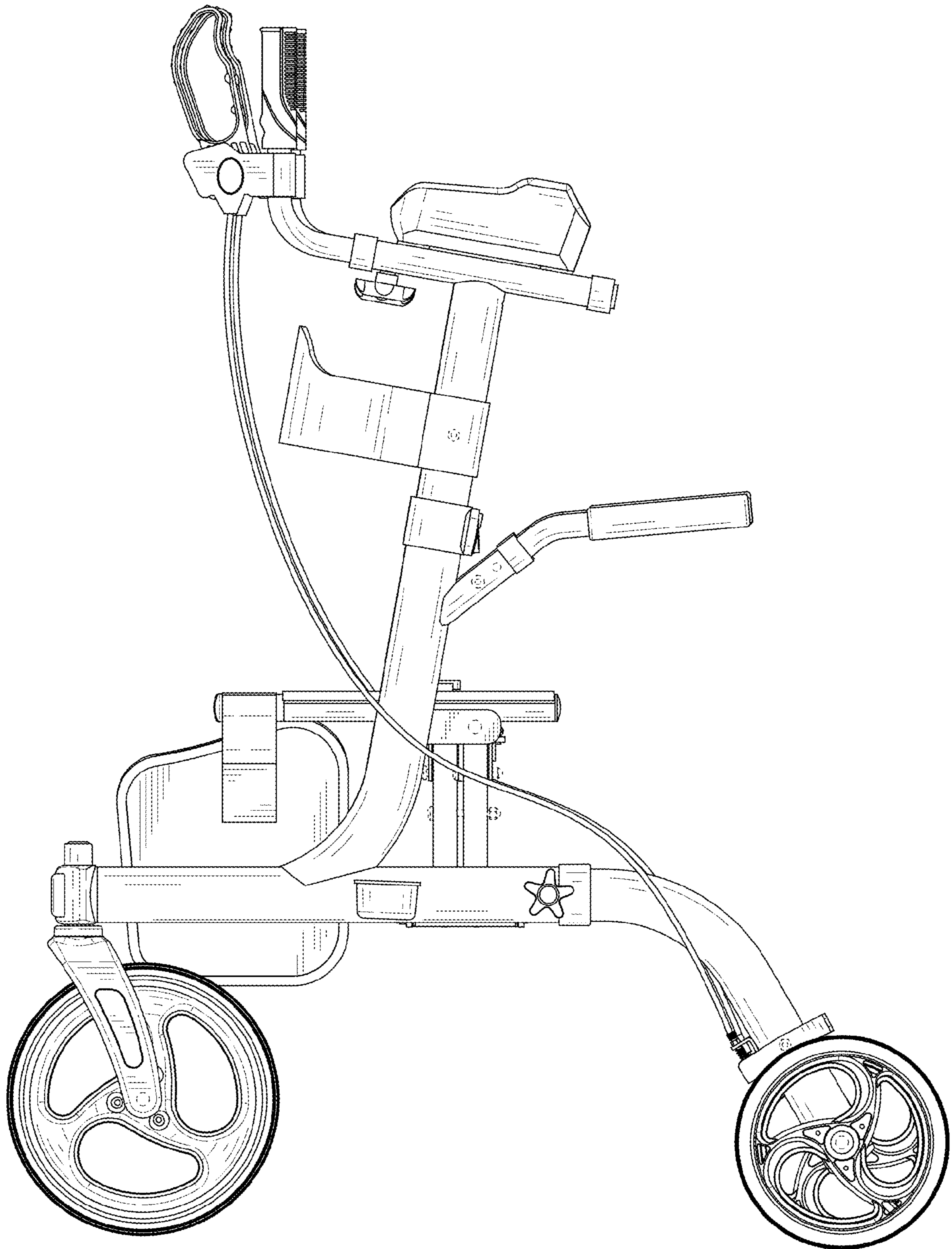


FIG. 6

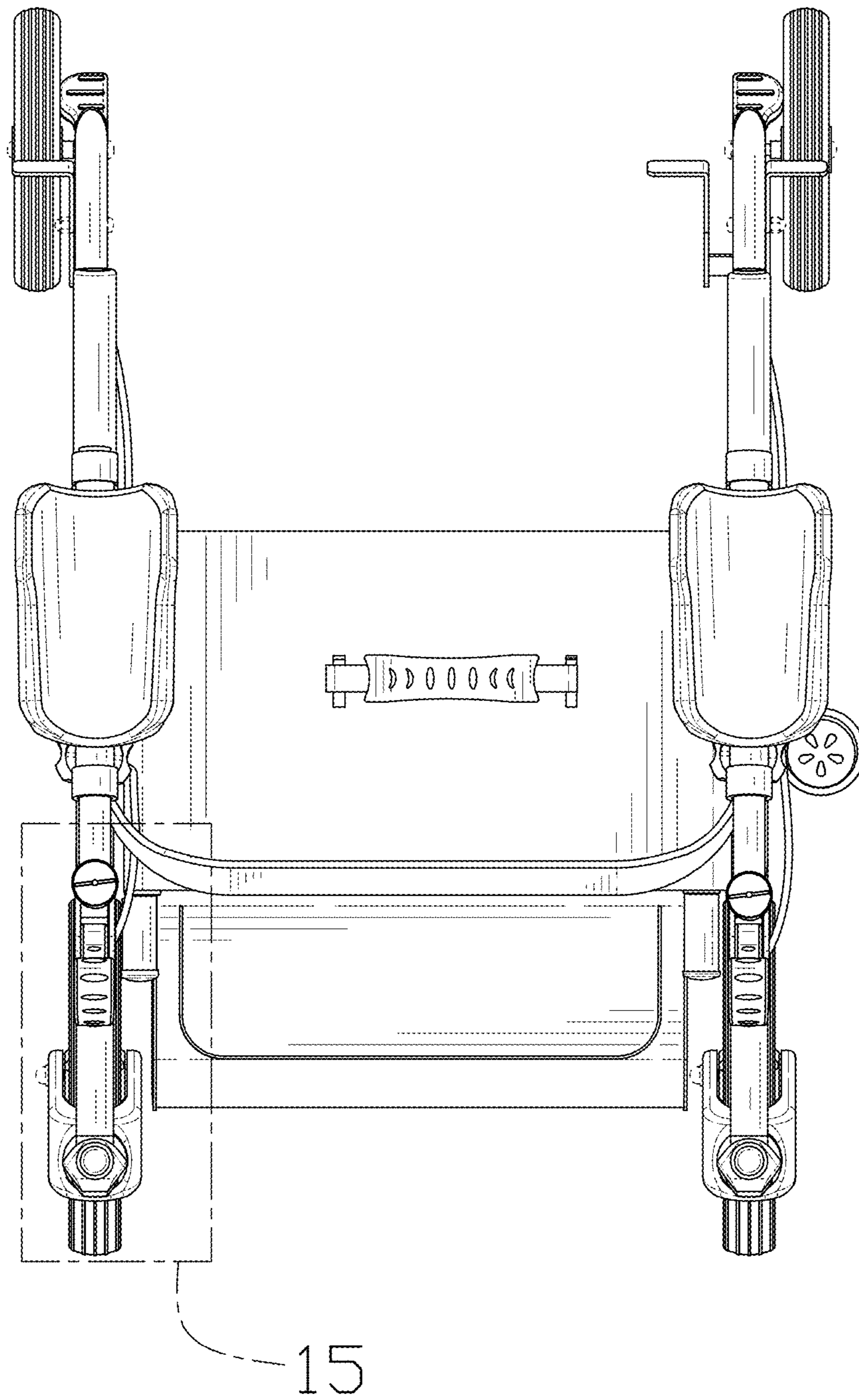


FIG. 7

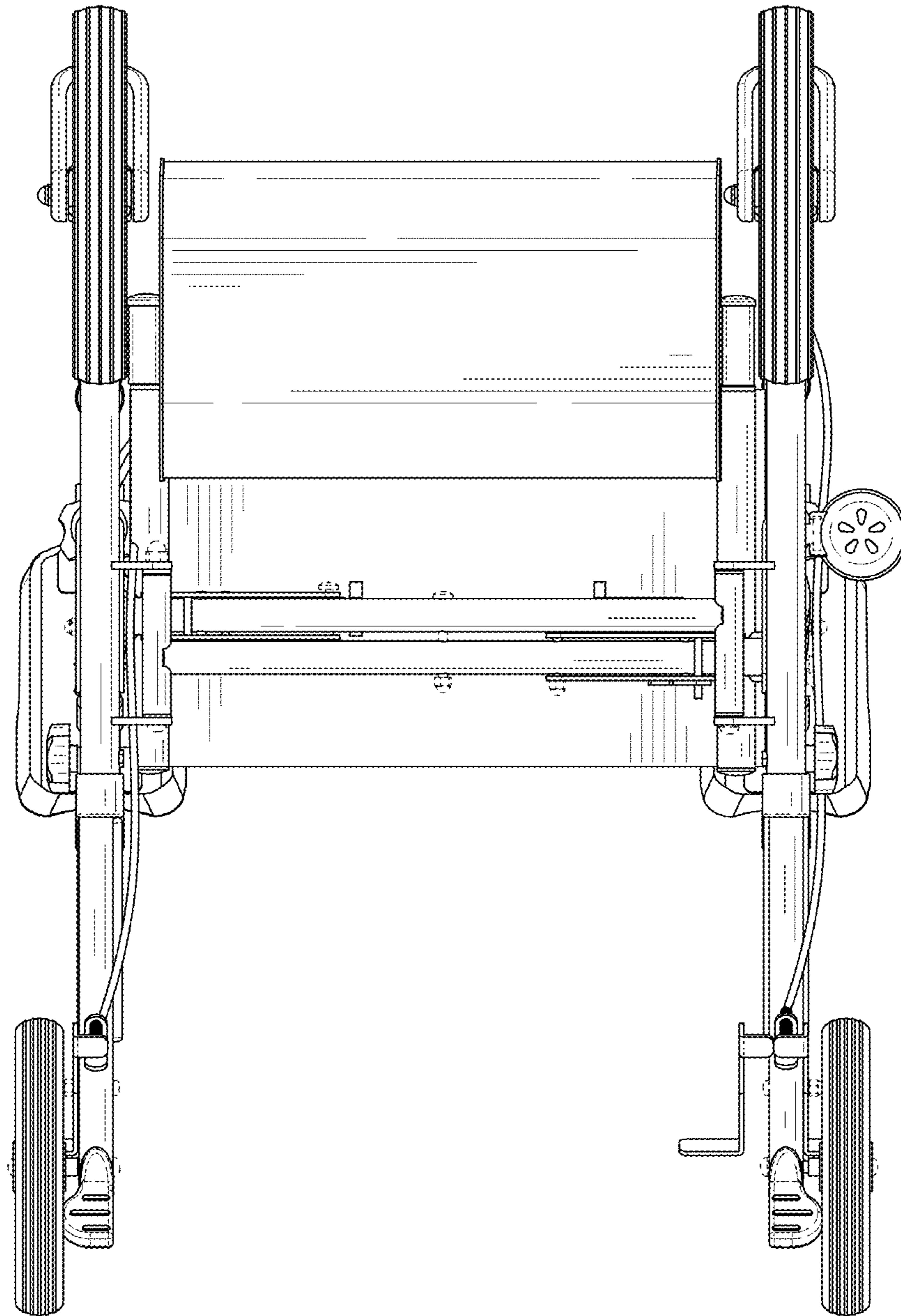


FIG. 8

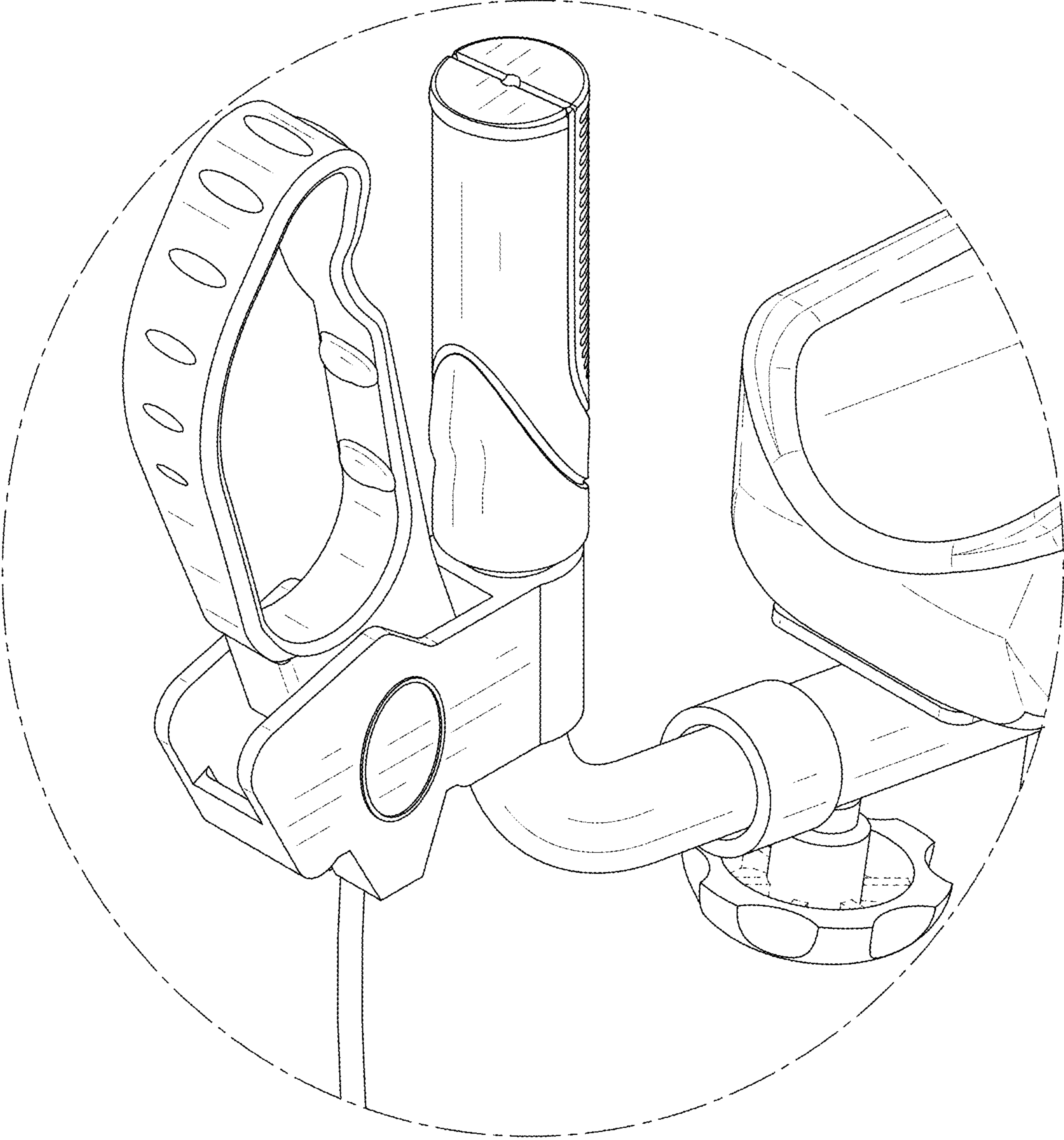


FIG. 9

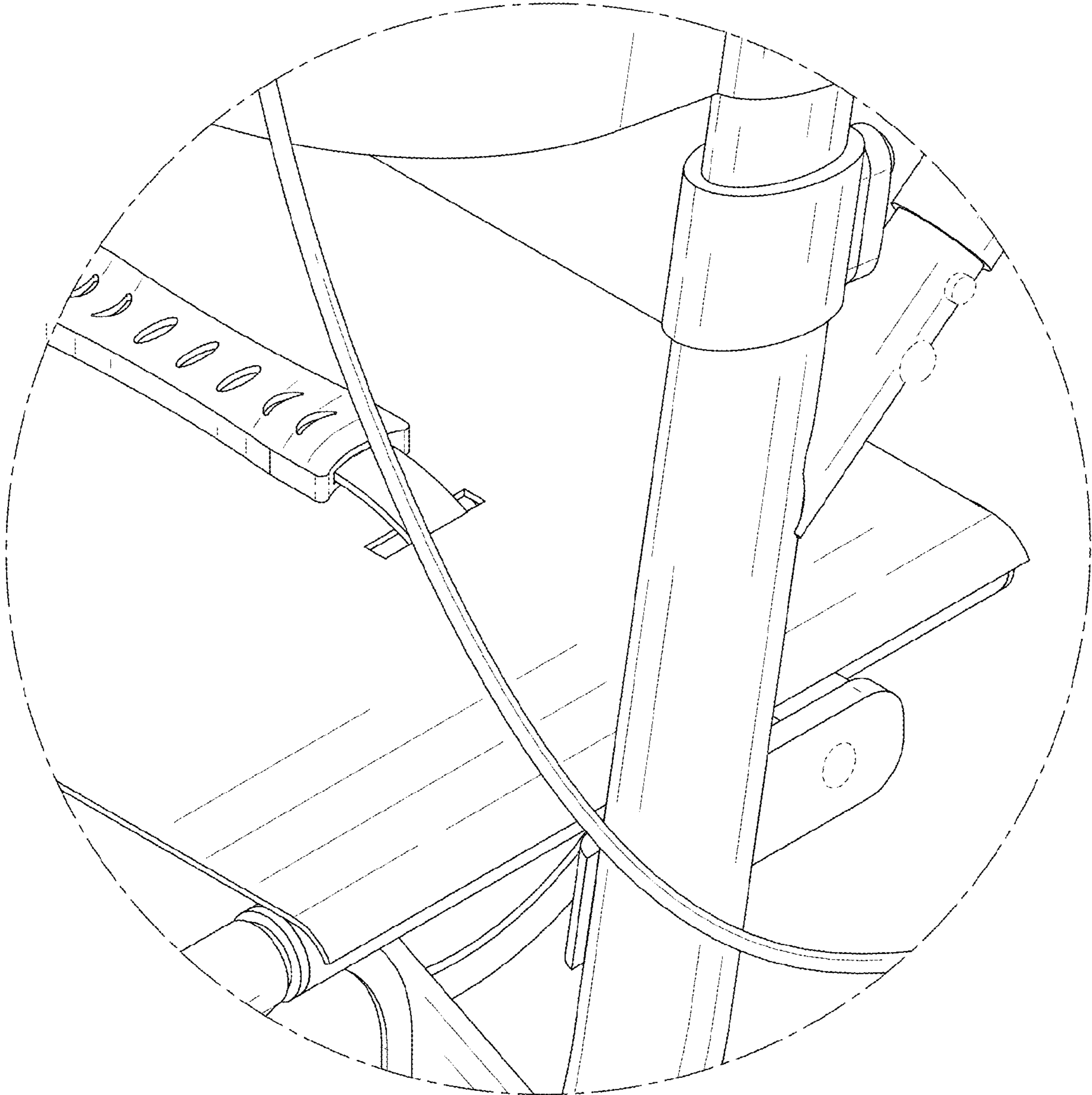


FIG. 10

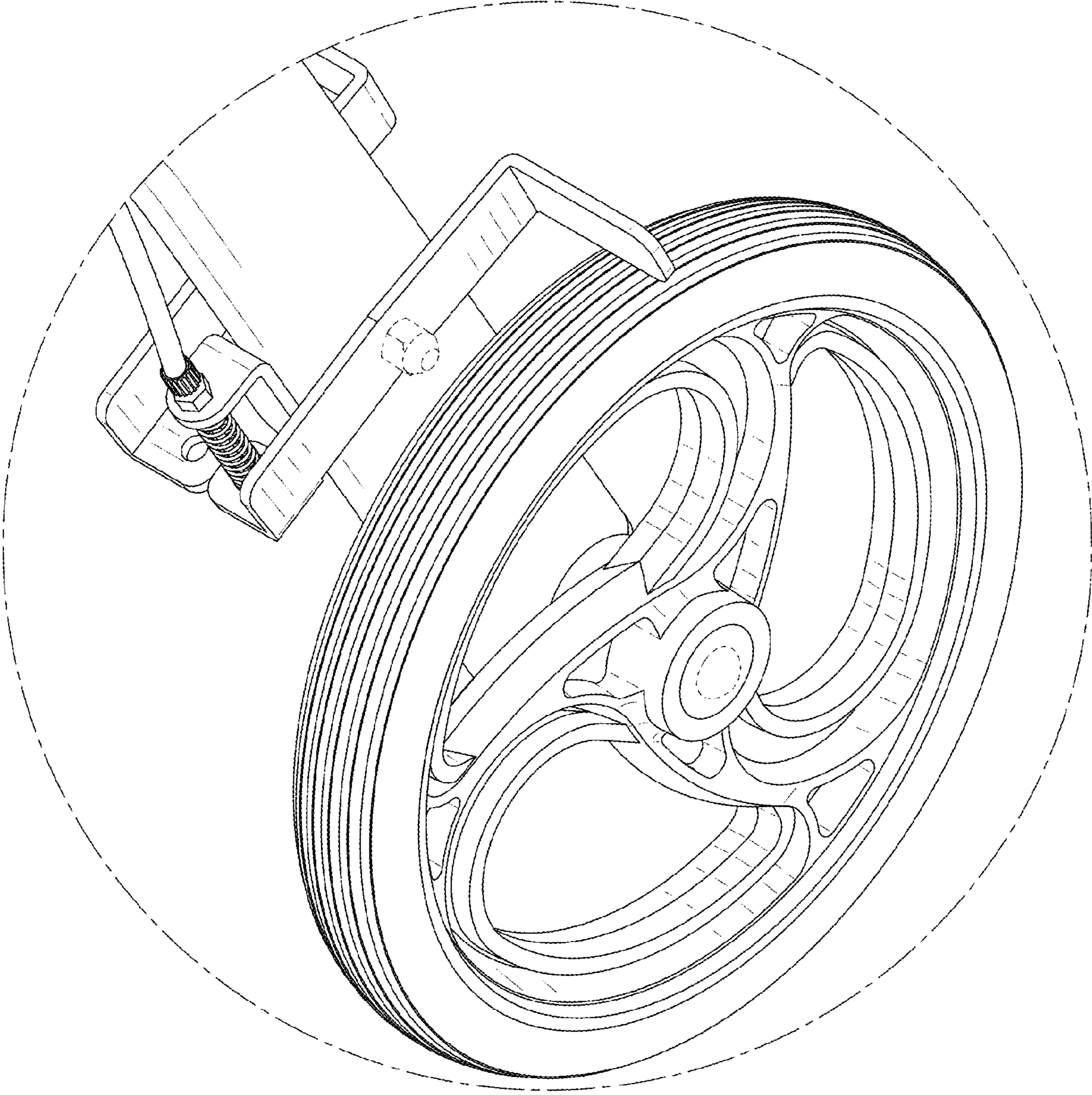


FIG. 11

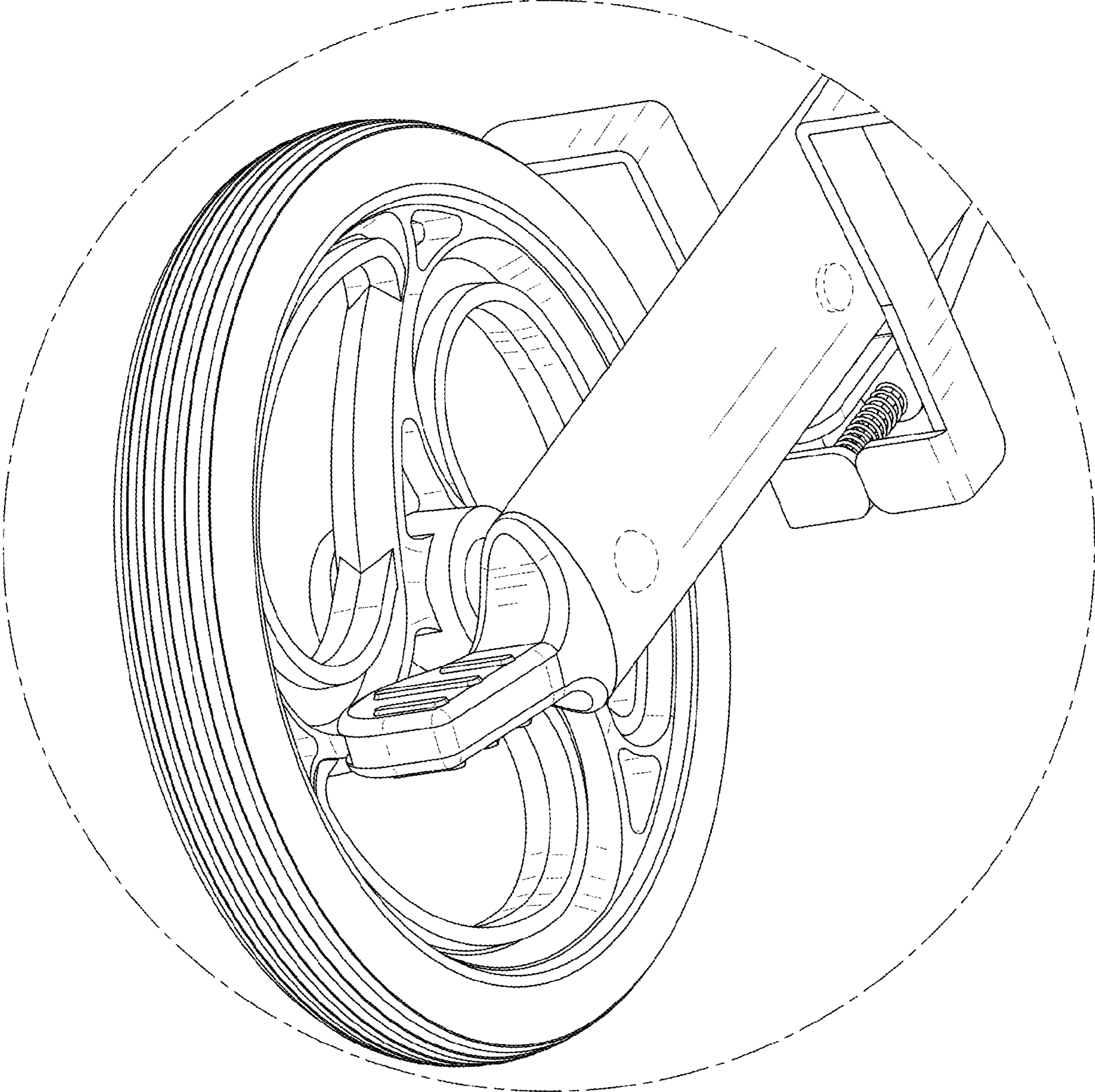


FIG. 12

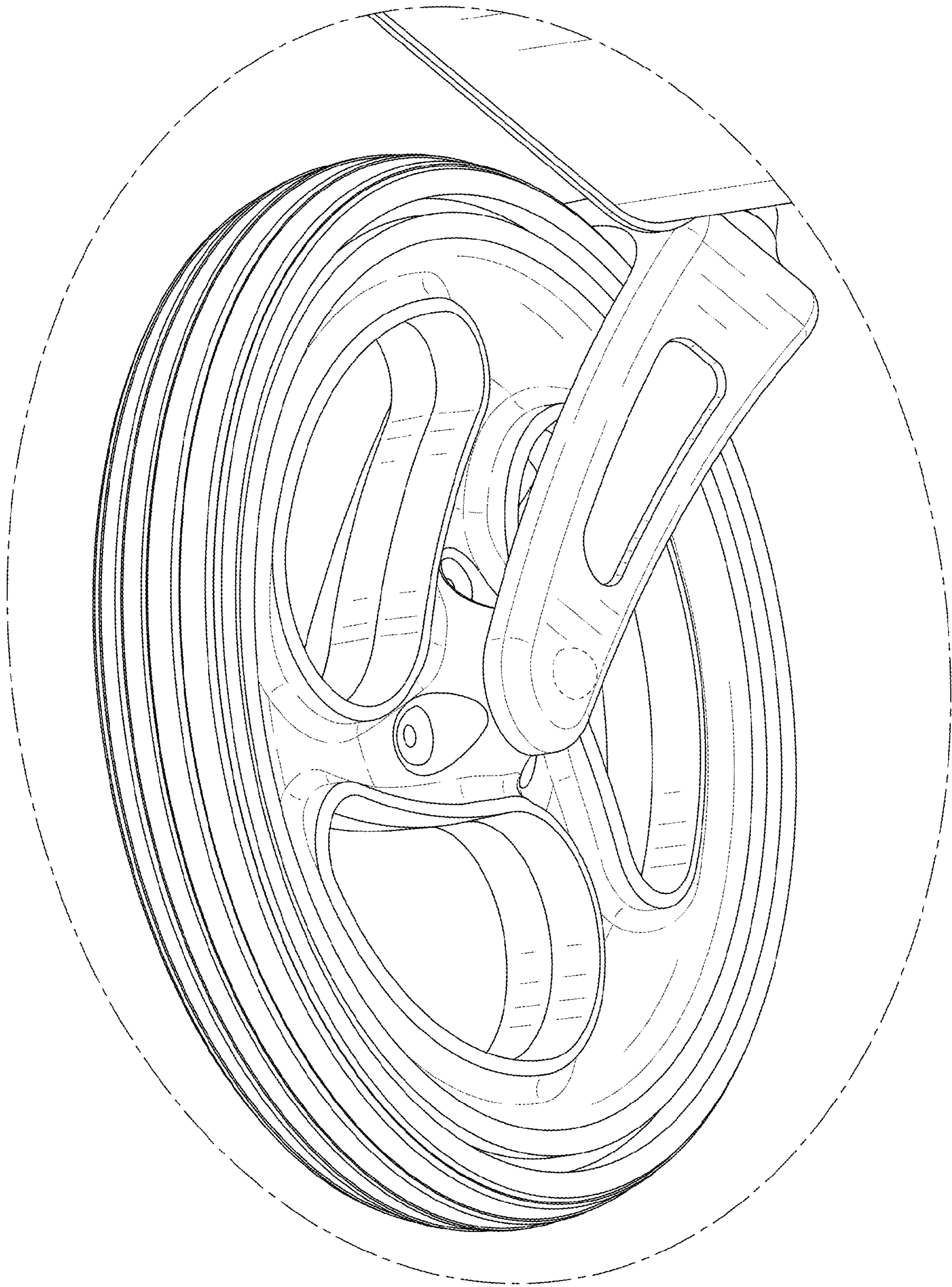


FIG. 13

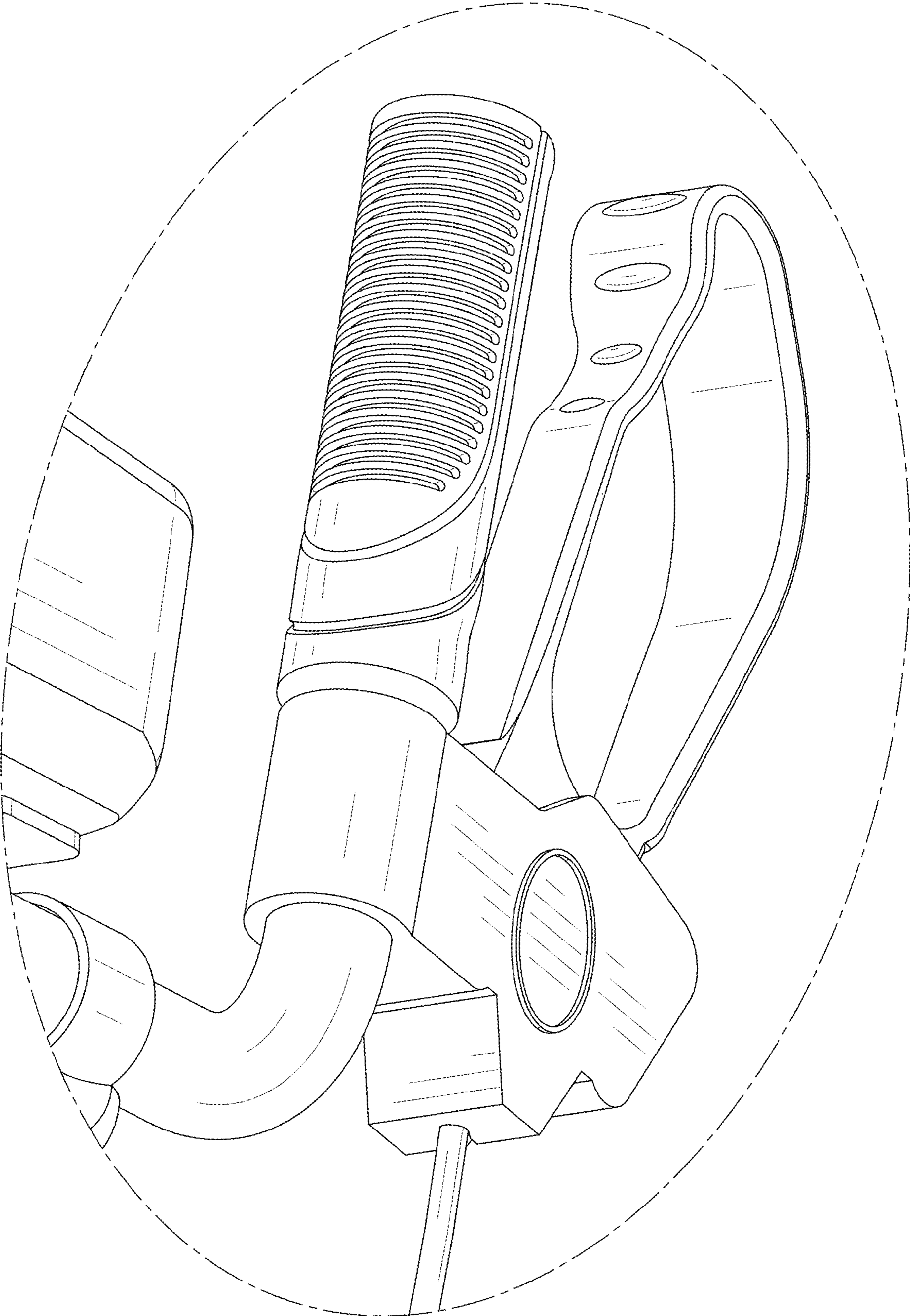


FIG. 14

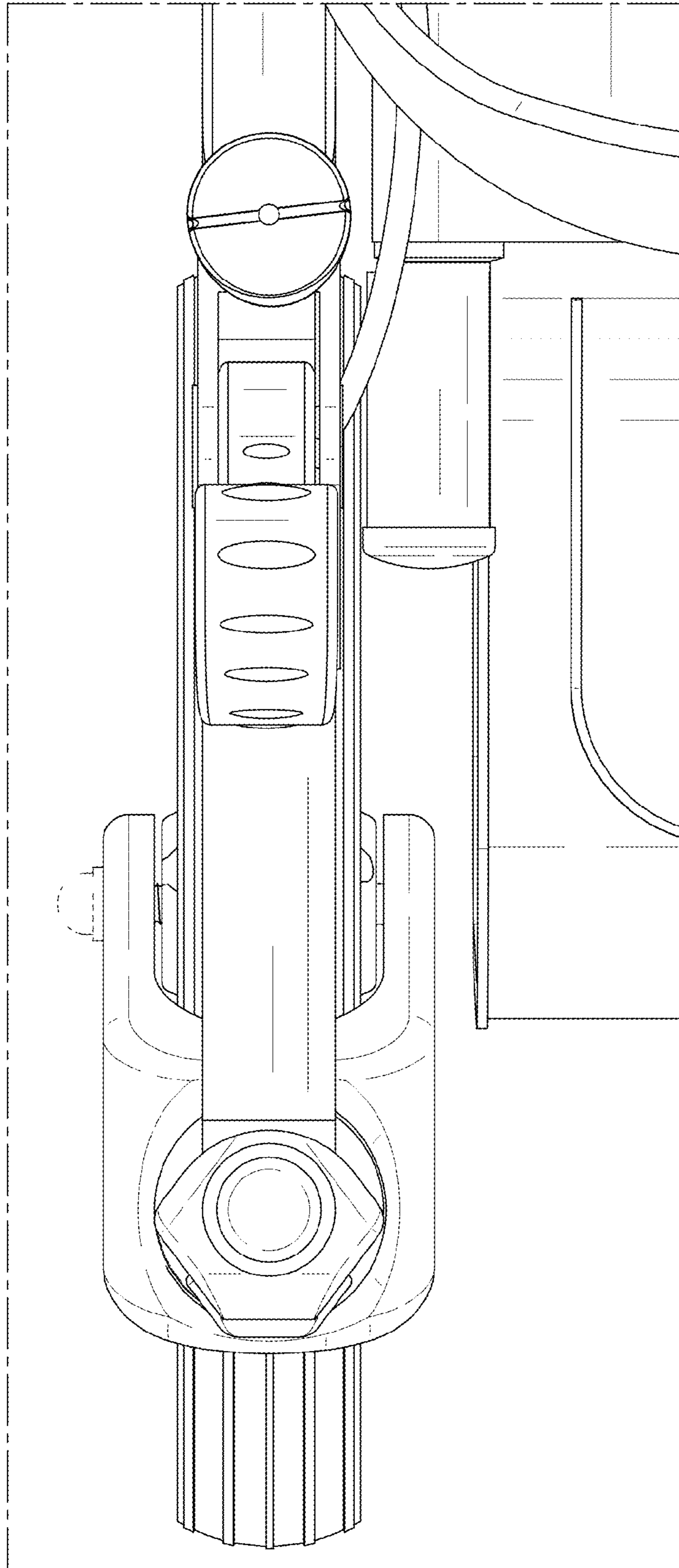


FIG. 15