



US00D969033S

(12) **United States Design Patent**
Huntley

(10) **Patent No.:** **US D969,033 S**

(45) **Date of Patent:** **** Nov. 8, 2022**

(54) **STROLLER**

(71) Applicant: **Wonderland Switzerland AG,**
Steinhausen (CH)

(72) Inventor: **John Huntley,** Philadelphia, PA (US)

(73) Assignee: **WONDERLAND SWITZERLAND**
AG, Steinhausen (CH)

(**) Term: **15 Years**

(21) Appl. No.: **29/742,276**

(22) Filed: **Jul. 15, 2020**

(51) **LOC (13) Cl.** **12-12**

(52) **U.S. Cl.**
USPC **D12/129**

(58) **Field of Classification Search**
USPC D12/128, 129, 130, 131, 132, 133;
D34/12, 14, 16, 17, 19, 20, 21, 22, 23,
D34/27; D21/419, 421, 534, 535
CPC B62B 9/00; B62B 9/02; B62B 9/04; B62B
9/08; B62B 9/10; B62B 9/102; B62B
9/104; B62B 9/106; B62B 9/12; B62B
9/14; B62B 9/142; B62B 9/16; B62B
9/18; B62B 9/20; B62B 9/203; B62B
9/22; B62B 9/24; B62B 9/26; B62B 7/00;
B62B 7/006; B62B 7/02; B62B 7/04;
B62B 7/06; B62B 7/062; B62B 7/064;
B62B 7/08; B62B 7/10; B62B 7/12;
B62B 3/00; B62B 3/022; B62B 1/00;
B62B 1/042

See application file for complete search history.

(56) **References Cited**

U.S. PATENT DOCUMENTS

D476,926 S	*	7/2003	Chen	D12/129
D480,994 S	*	10/2003	Grohmann	D12/129
D509,773 S	*	9/2005	Fox	D12/129
D515,473 S	*	2/2006	Cheng	D12/129
D519,420 S	*	4/2006	Cheng	D12/129

D532,721 S	*	11/2006	Wu	D12/129
D579,826 S	*	11/2008	Grim	D12/129
D581,841 S	*	12/2008	Toussaint	D12/129
D596,996 S	*	7/2009	Yang	D12/129
D620,846 S	*	8/2010	Grim	D12/129
D721,015 S	*	1/2015	Bassan	D12/129
D726,078 S	*	4/2015	Liao	D12/129
9,044,104 B2	*	6/2015	Smith	E05D 7/00
D815,569 S	*	4/2018	Kuenen	D12/133
D852,683 S	*	7/2019	Holleis	D12/129
D864,044 S	*	10/2019	Holleis	D12/129

(Continued)

OTHER PUBLICATIONS

Graco NimbleLite Stroller, Published date unavailable [online], [retrieved on Nov. 4, 2021]. Retrieved from the Internet: <https://www.amazon.com/Graco-NimbleLite-Stroller-Lightweight-Compatible/dp/B07Y5TWJRS> (Year: 2021).*

Primary Examiner — Cary M Robinson

Assistant Examiner — Adam C Mager

(74) *Attorney, Agent, or Firm* — Bacon & Thomas, PLLC

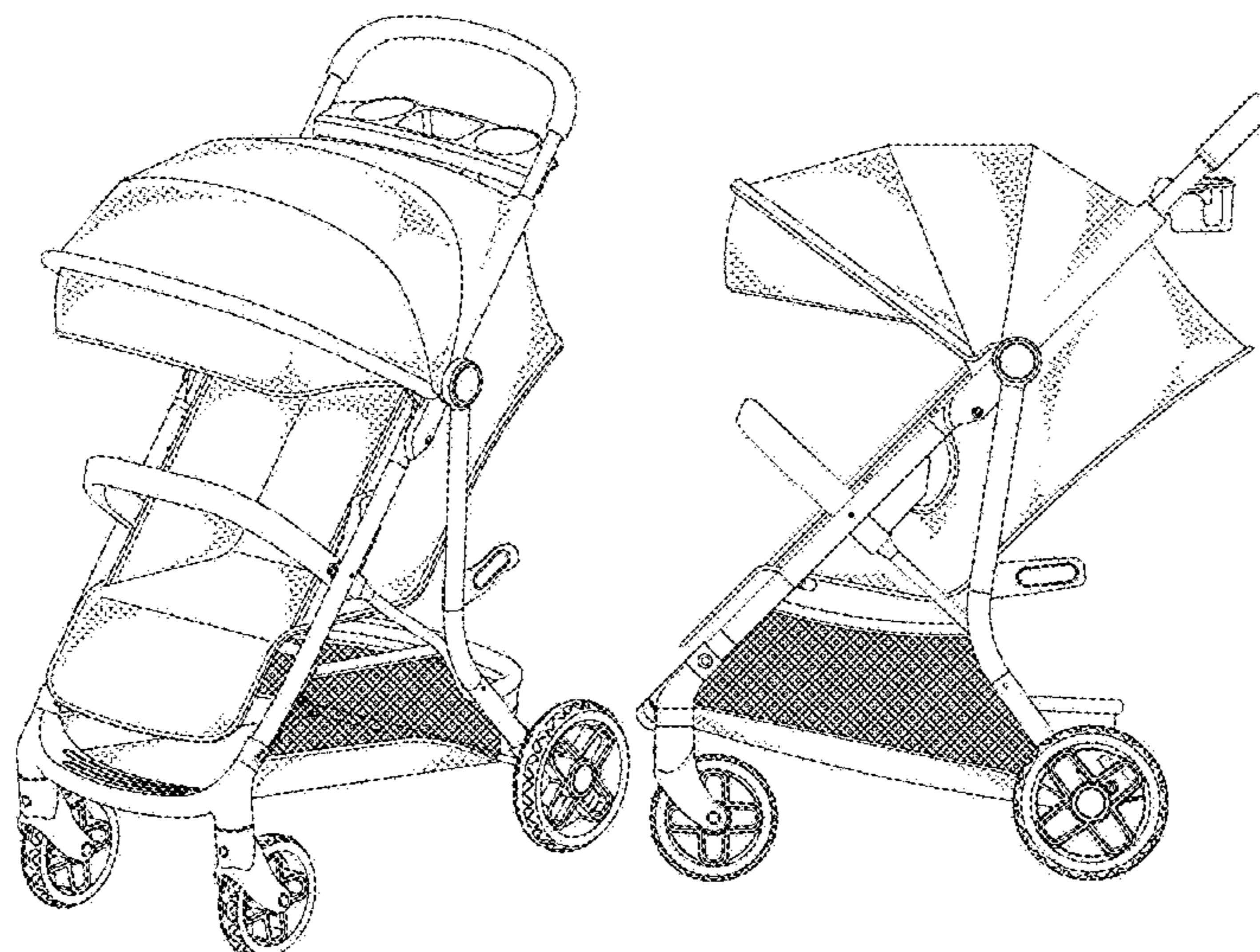
(57) **CLAIM**

The ornamental design for a stroller, as shown and described.

DESCRIPTION

FIG. 1 is a perspective view of a stroller in accordance with my new design;
FIG. 2 is a front view thereof;
FIG. 3 is a rear view thereof;
FIG. 4 is a left side view thereof;
FIG. 5 is a right side view thereof;
FIG. 6 is a top view thereof;
FIG. 7 is a bottom view thereof; and,
FIG. 8 is a perspective view showing the stroller in use.
The broken lines on the stroller illustrate stitching and form part of the claimed design. The drink and snack tray accessory shown in broken lines viewed in FIG. 8 forms no part of the claimed design.

1 Claim, 8 Drawing Sheets



(56)

References Cited

U.S. PATENT DOCUMENTS

D875,618 S * 2/2020 Hauser D12/129
D889,324 S * 7/2020 Altenhofen D12/129
D891,993 S * 8/2020 Altenhofen D12/129
D893,359 S * 8/2020 Holleis D12/129
D906,900 S * 1/2021 Walker D12/129
2005/0225056 A1 * 10/2005 Dotsey B62B 9/20
280/642
2017/0217470 A1 * 8/2017 Popp B62B 7/064
2020/0001908 A1 * 1/2020 Ambar B62B 7/08
2020/0339173 A1 * 10/2020 Kravchenko B62B 9/082

* cited by examiner

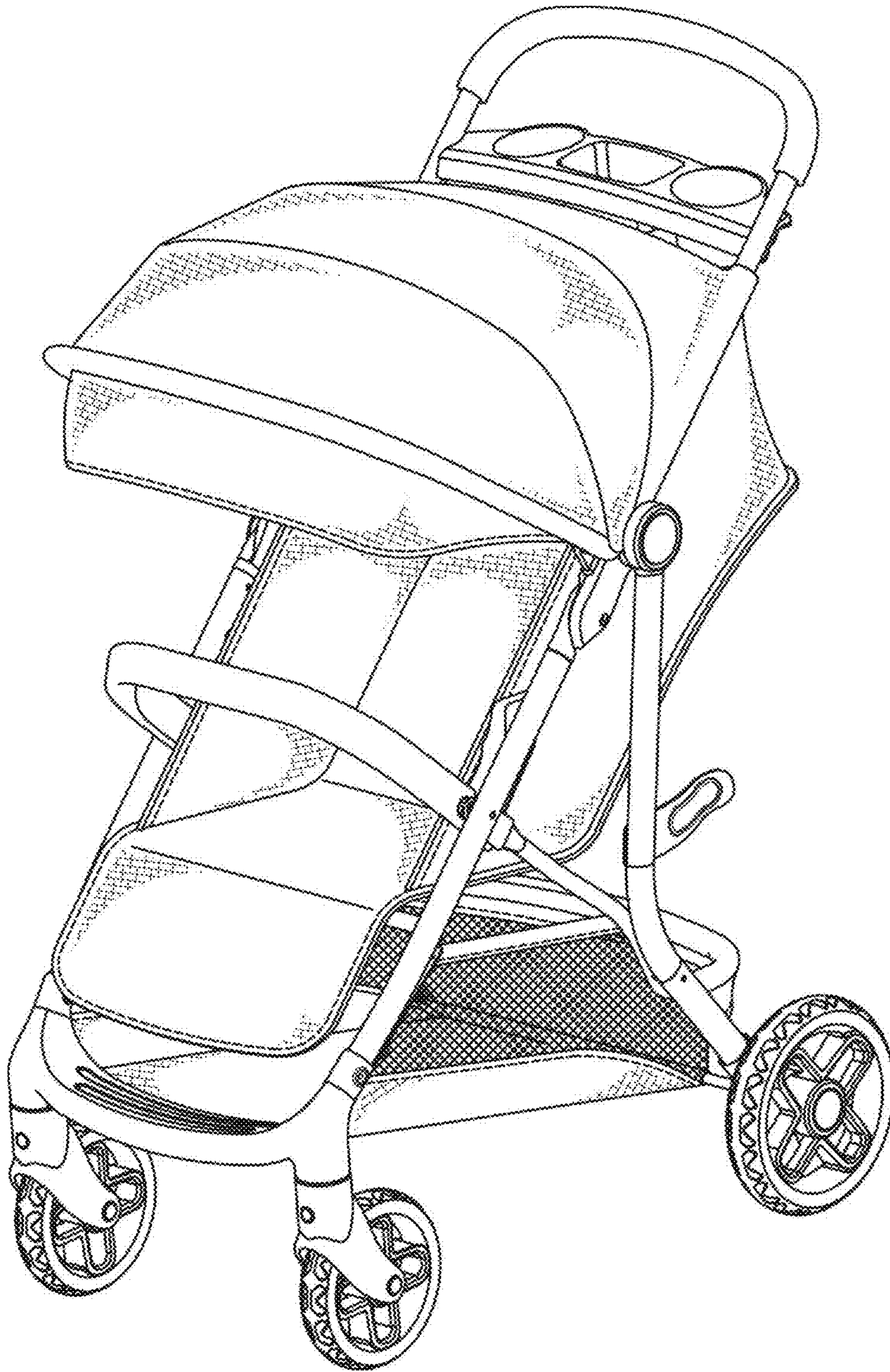


FIG. 1

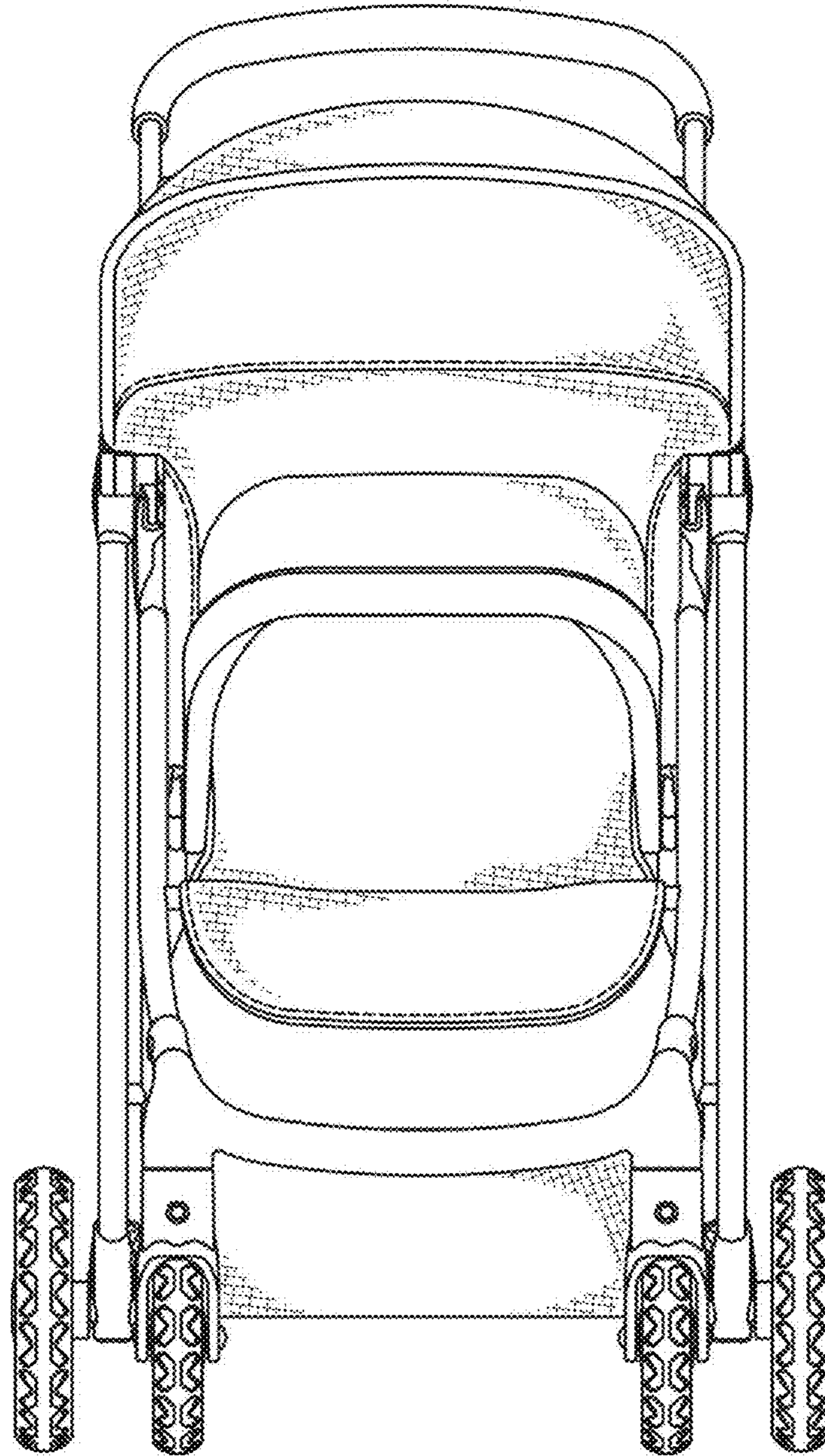


FIG. 2

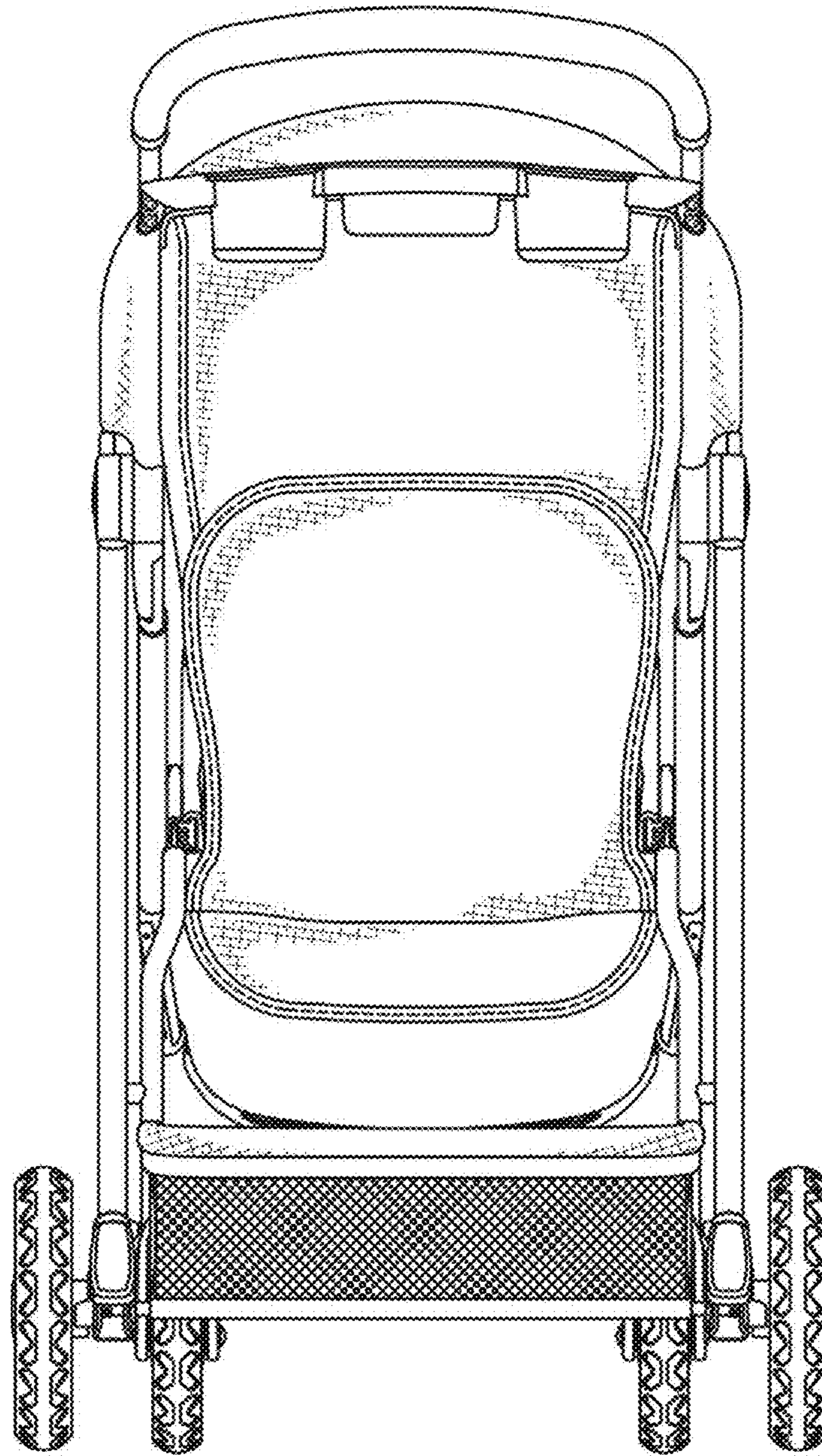


FIG. 3

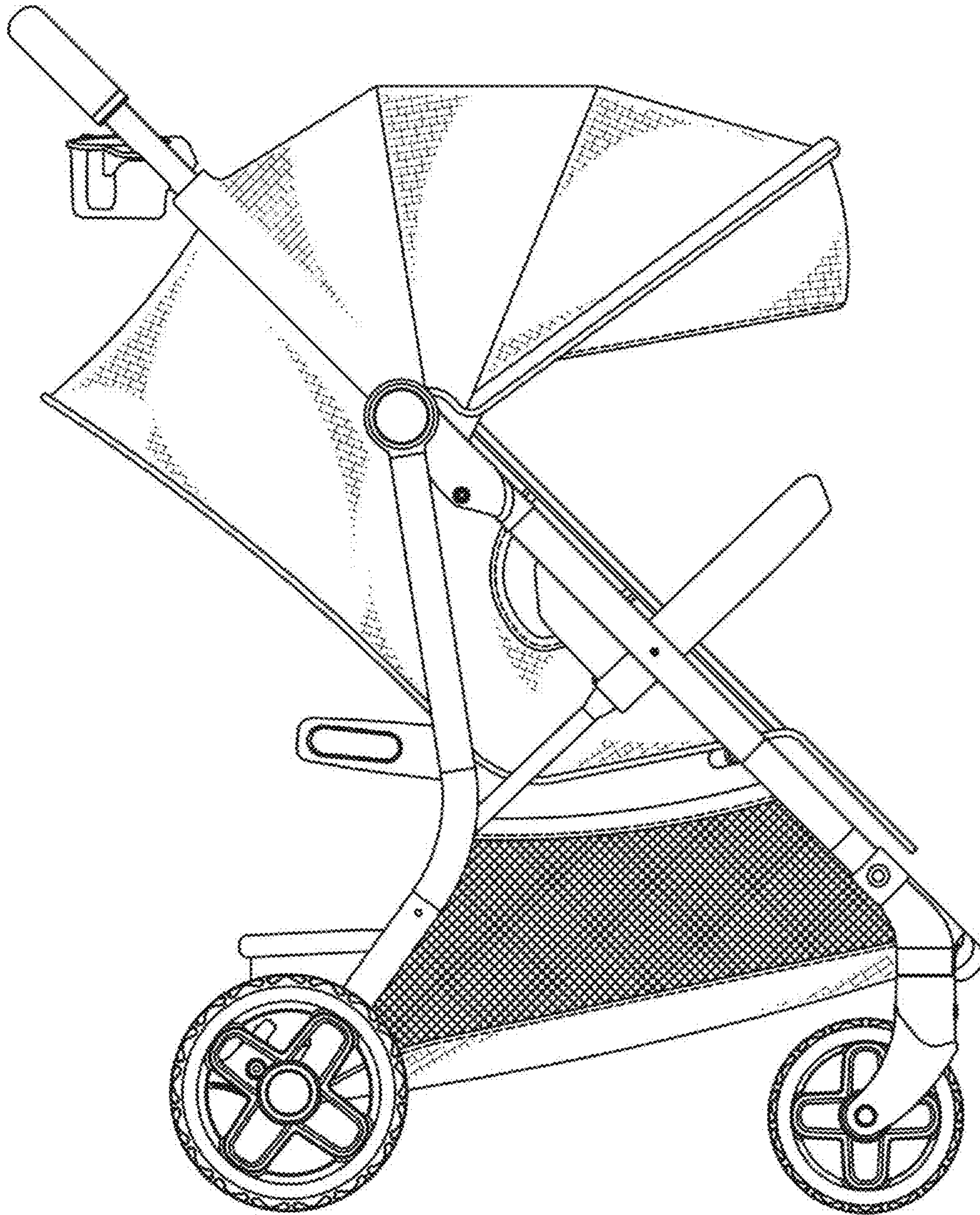


FIG. 4

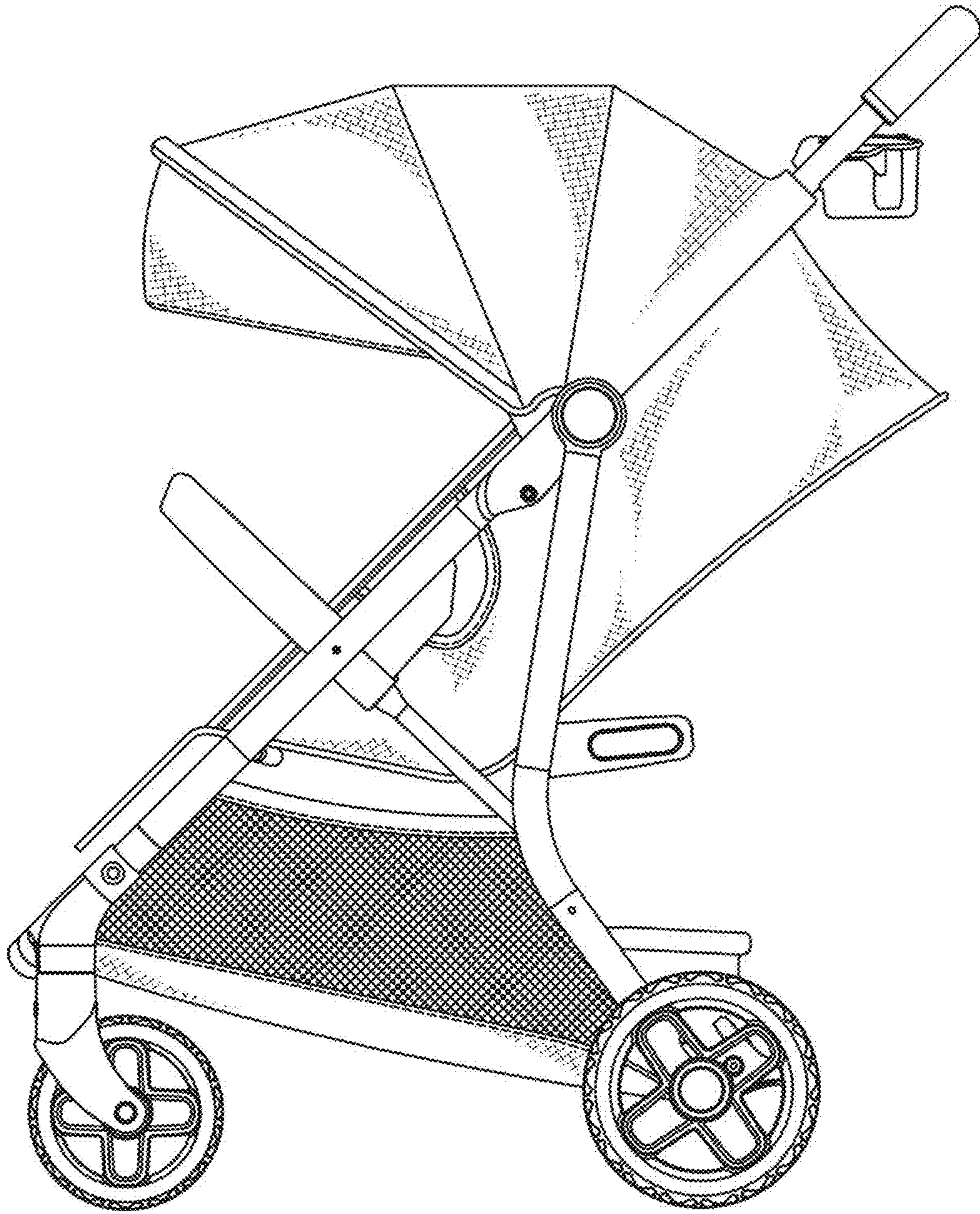


FIG. 5

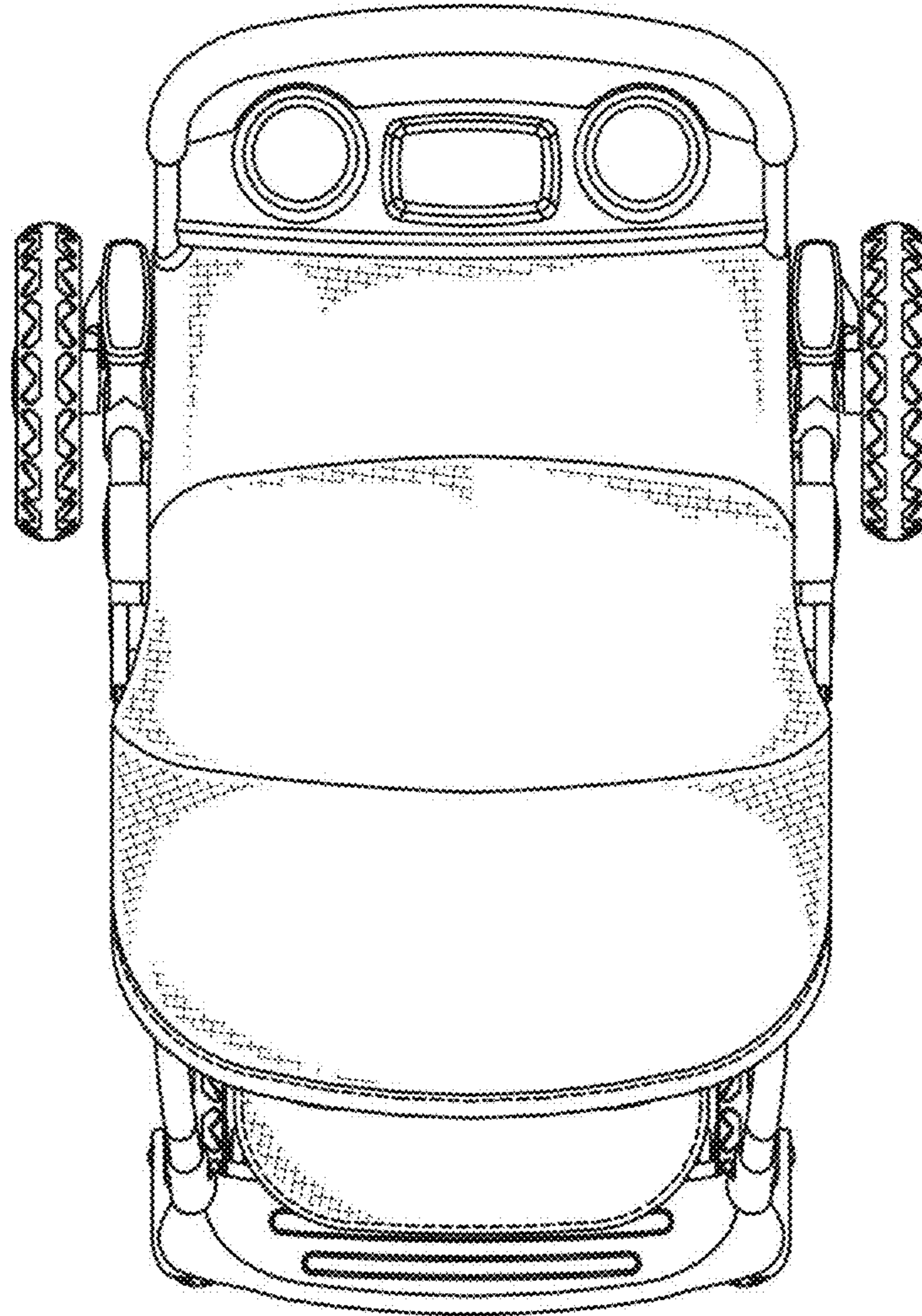


FIG. 6

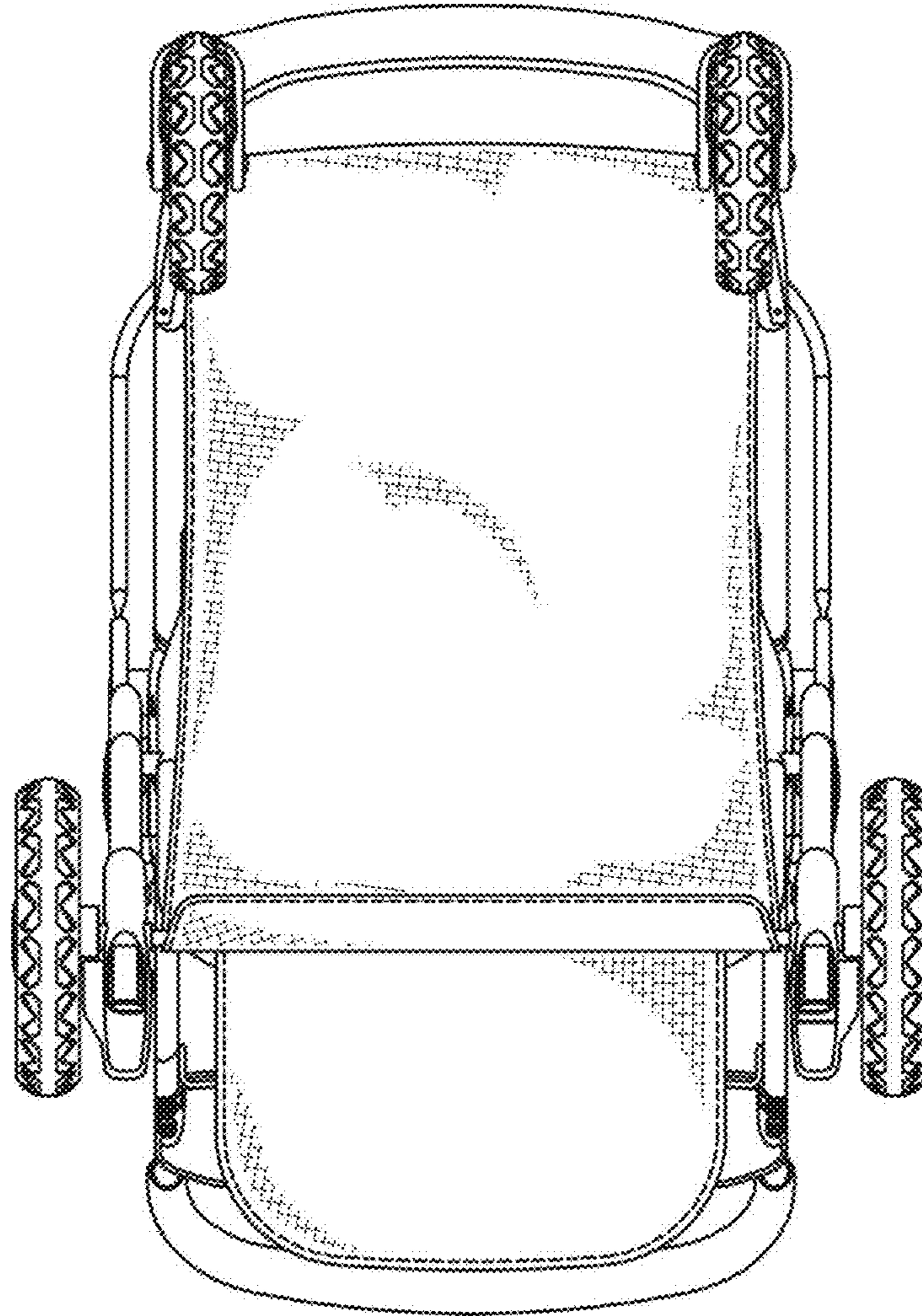


FIG. 7

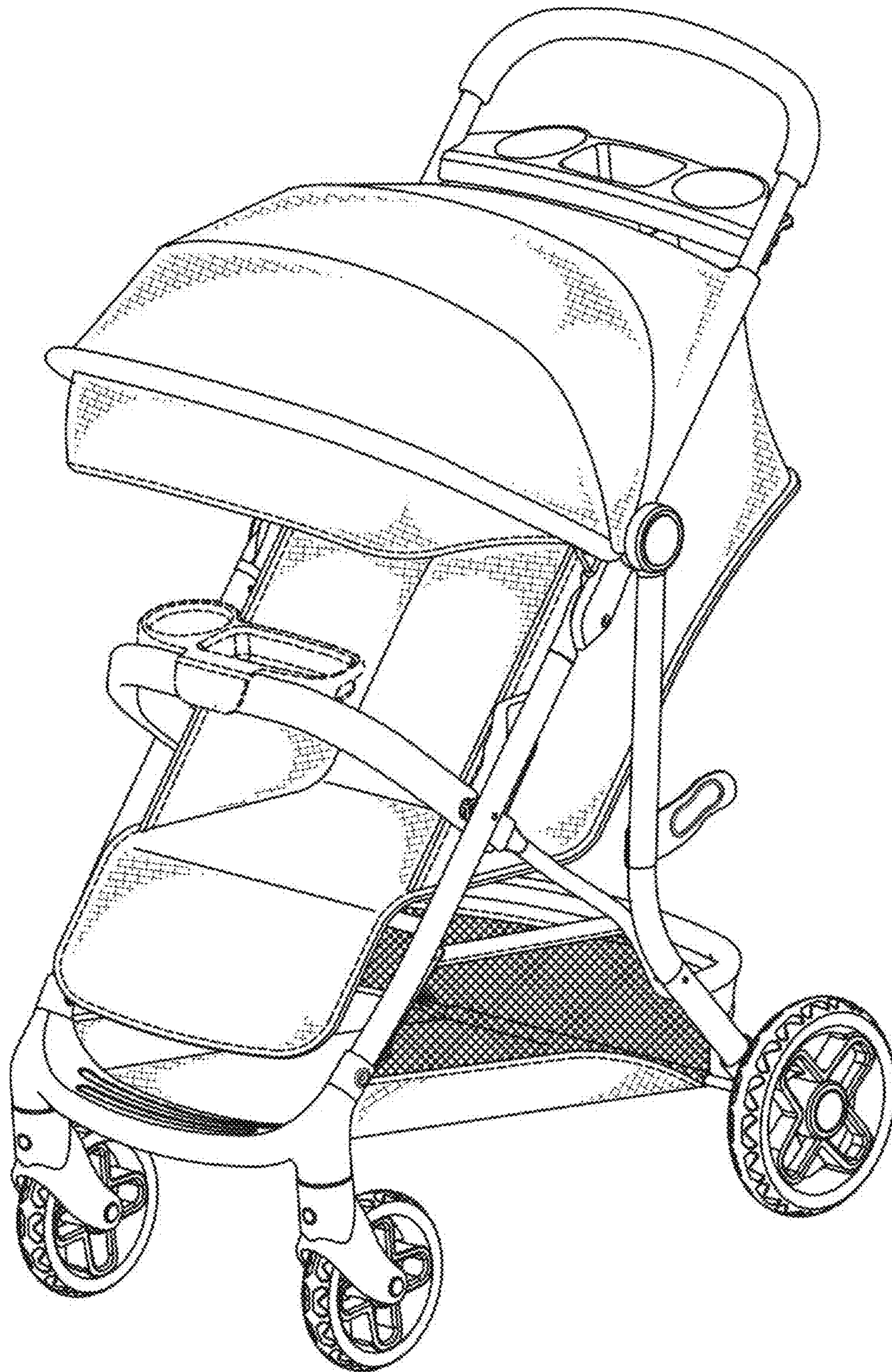


FIG. 8