



US00D969032S

(12) **United States Design Patent** (10) **Patent No.:** **US D969,032 S**
Lin (45) **Date of Patent:** **** Nov. 8, 2022**

(54) **BIKE CLEAT**
(71) Applicant: **Shipeng Lin**, Huizhou (CN)
(72) Inventor: **Shipeng Lin**, Huizhou (CN)
(**) Term: **15 Years**
(21) Appl. No.: **29/824,235**
(22) Filed: **Jan. 23, 2022**
(51) **LOC (13) Cl.** **12-11**
(52) **U.S. Cl.**
USPC **D12/125**
(58) **Field of Classification Search**
USPC D12/125, 174, 190; D21/663, 694, 768;
D2/906, 962
CPC B62M 3/00; B62M 3/086; A43B 5/14;
A47G 27/0206; G05G 1/30; G05G 1/483;
A43C 11/14
See application file for complete search history.

2007/0094898 A1* 5/2007 Xie A43B 5/14
36/131
2020/0031427 A1* 1/2020 Fouche B62M 3/086
2020/0062338 A1* 2/2020 Hsieh B62M 3/086
2020/0094915 A1* 3/2020 Chen A43B 5/14

OTHER PUBLICATIONS

Thinvik, Published Mar. 1, 2022 [online], [retrieved on Sep, 12, 2022]. Retrieved from the Internet: <https://www.amazon.com/Thinvik-Cleats-Shimano-Locking-Cycling/dp/B09TNCL9T6?th=1> (Year: 2022).*

* cited by examiner

Primary Examiner — Cary M Robinson
Assistant Examiner — Adam C Mager

(57) **CLAIM**

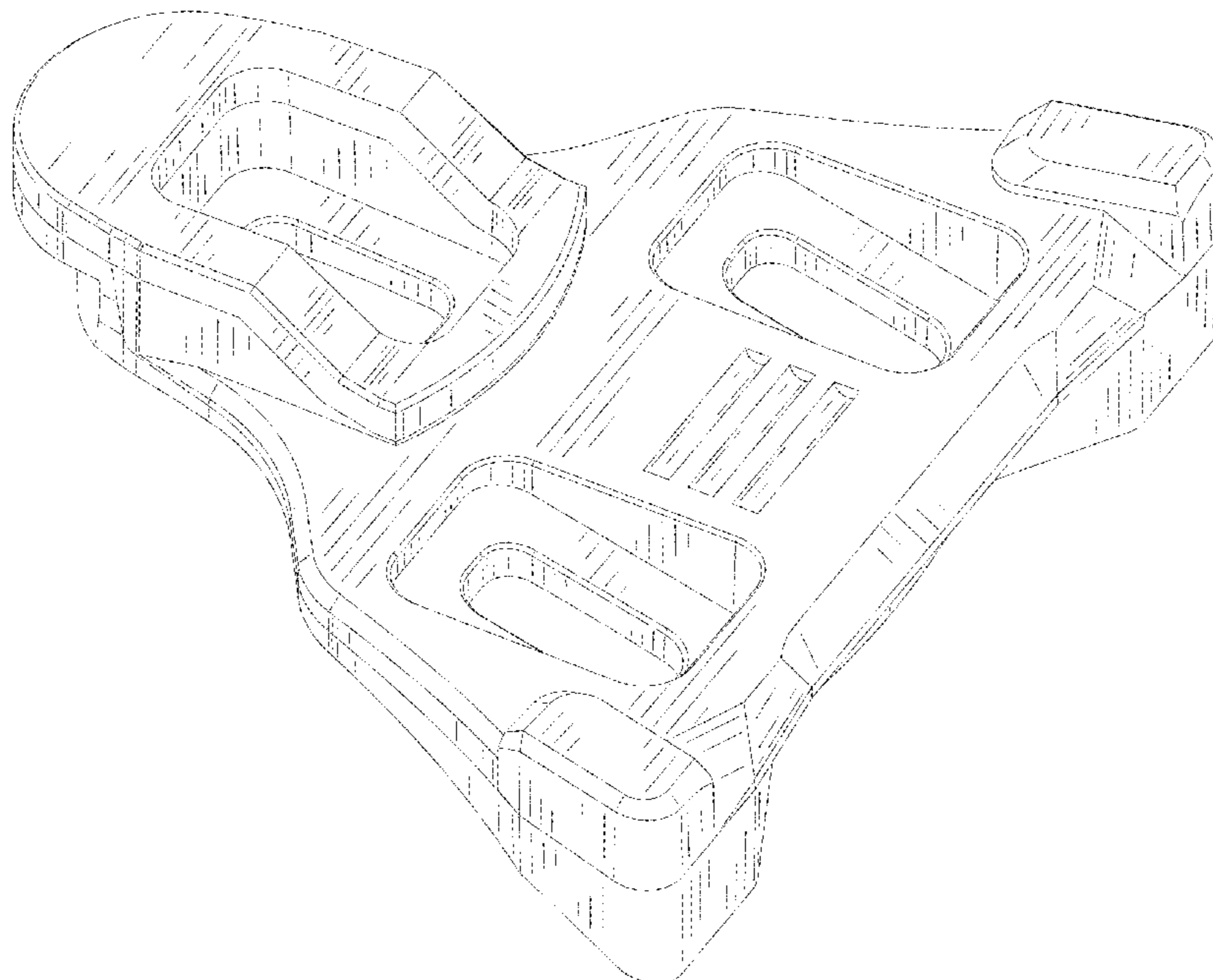
The ornamental design for a bike cleat, as shown and described.

DESCRIPTION

FIG. 1 is a perspective view of a bike cleat showing my new design;
FIG. 2 is another perspective view thereof;
FIG. 3 is another perspective view thereof;
FIG. 4 is a front elevational view thereof;
FIG. 5 is a rear elevational view thereof;
FIG. 6 is a left side elevational view thereof;
FIG. 7 is a right side elevational view thereof;
FIG. 8 is a top plan view thereof;
FIG. 9 is a bottom plan view thereof; and,
FIG. 10 is an enlarged view of portion 10 shown in FIG. 3.
The dot-dash broken lines represent the boundary of the enlarged portion and form no part of the claimed design.

(56) **References Cited**
U.S. PATENT DOCUMENTS
4,864,887 A * 9/1989 Rapisarda B62M 3/086
36/131
5,381,708 A * 1/1995 Liao B62M 3/086
36/131
D425,828 S * 5/2000 Ueda D12/125
D506,308 S * 6/2005 Chretien D2/962
8,646,359 B2 * 2/2014 Hsieh B62M 3/086
74/594.6
D846,968 S 4/2019 Müller
D847,606 S 5/2019 Heinemann et al.
10,517,349 B2 * 12/2019 Martin B62M 3/086
10,625,816 B2 * 4/2020 Hsieh B62M 3/086
10,800,483 B2 * 10/2020 Chen A43B 5/14
11,325,675 B1 * 5/2022 Hsieh B62M 3/086

1 Claim, 10 Drawing Sheets



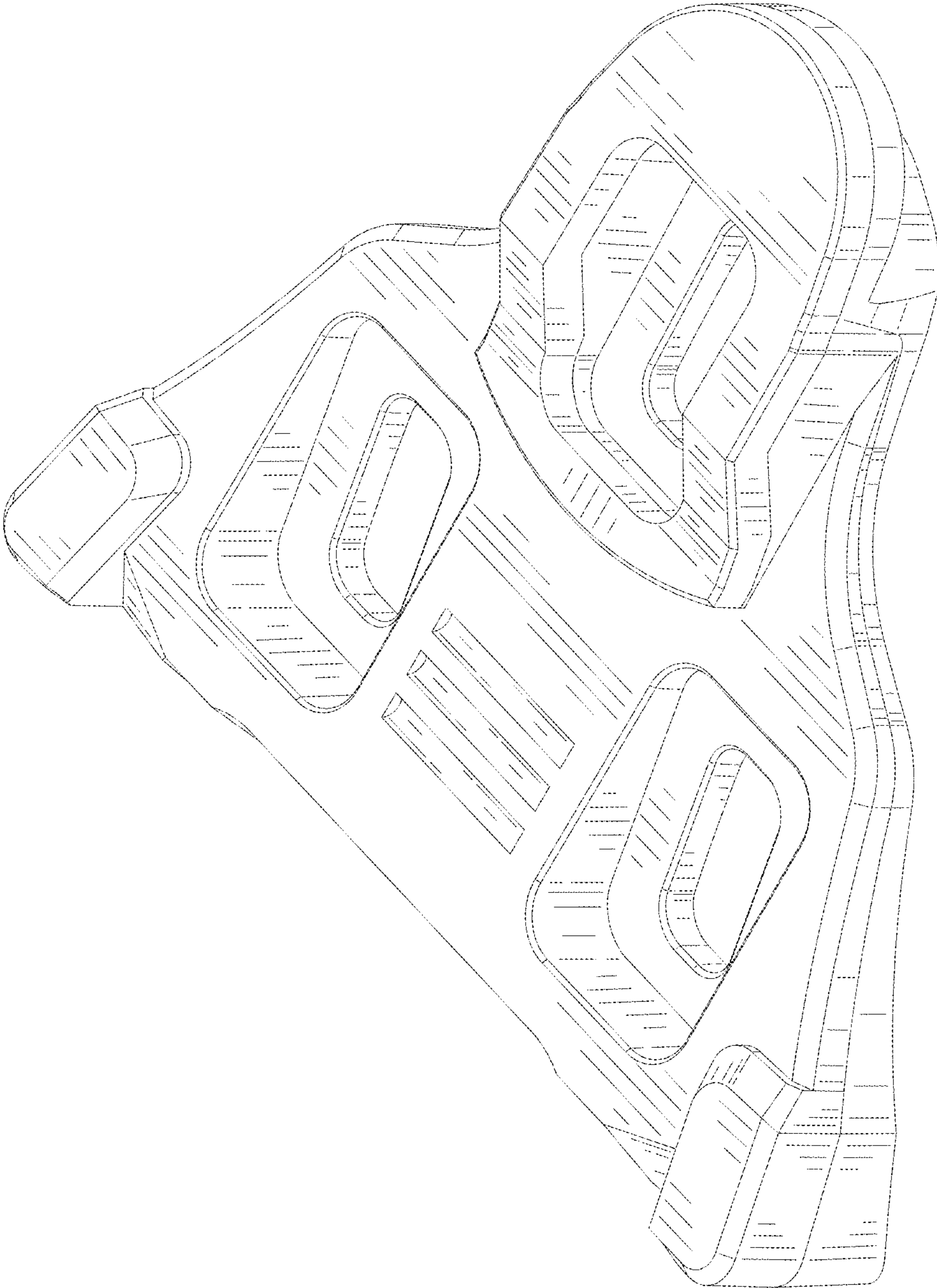


FIG. 1

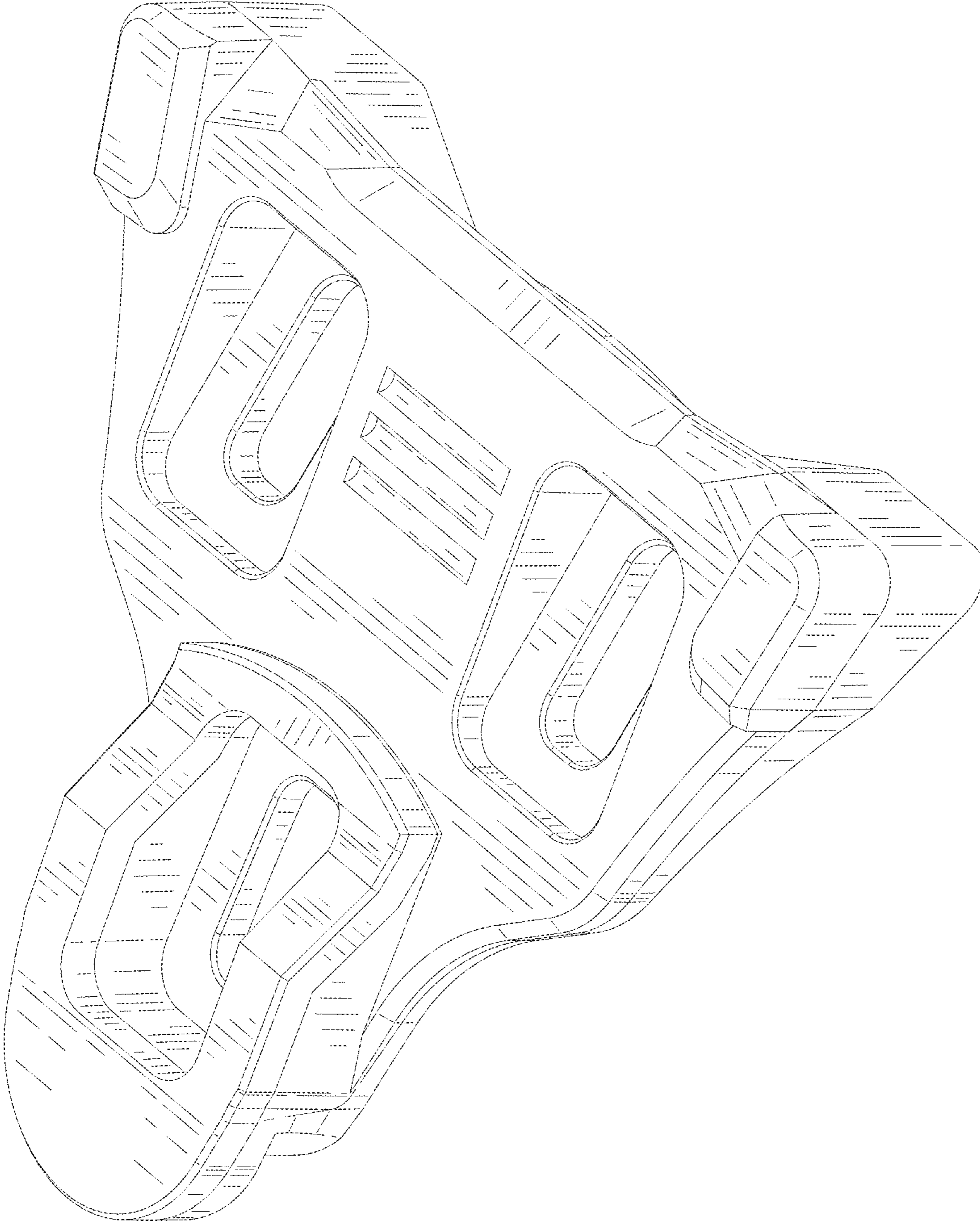


FIG. 2

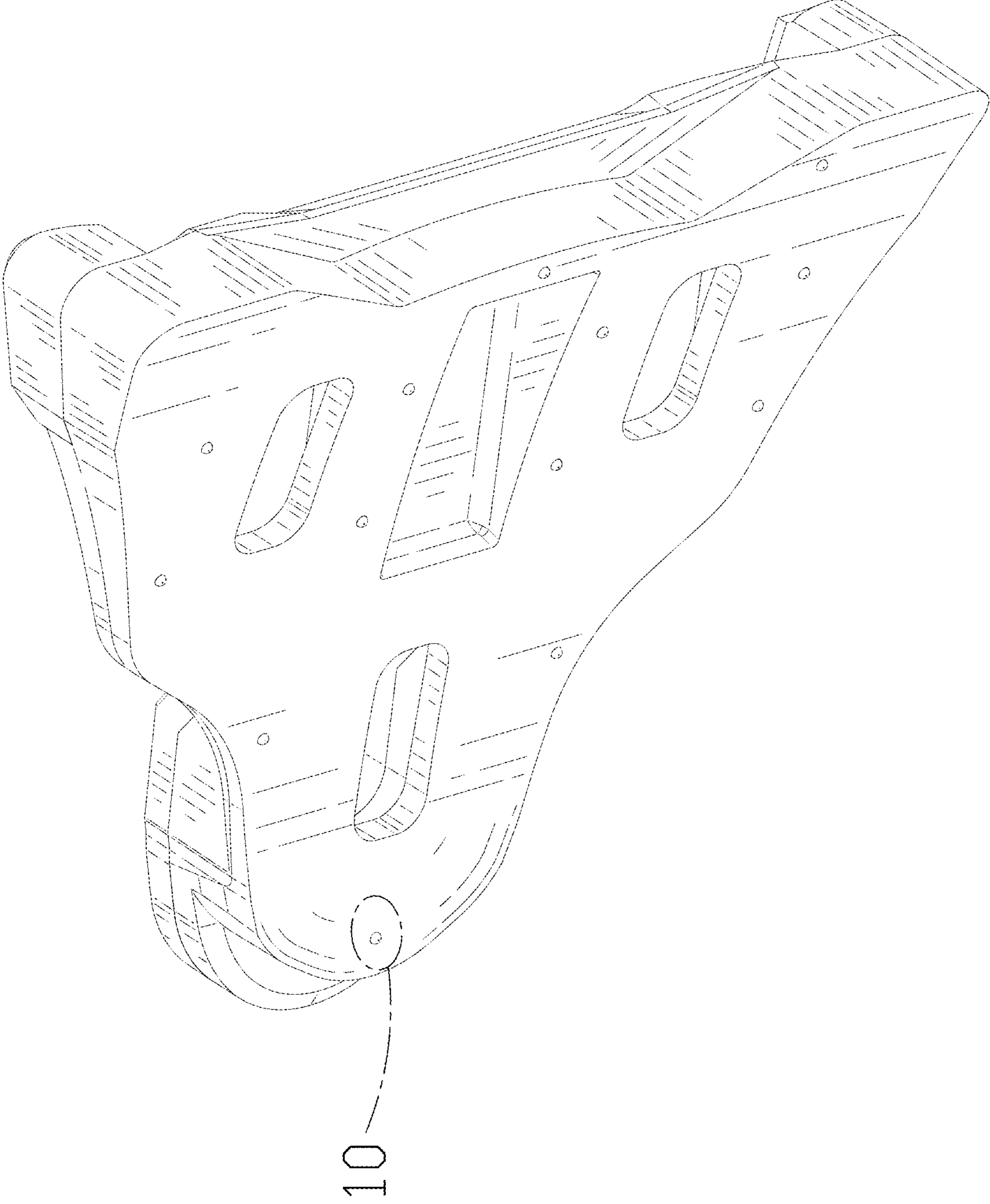


FIG. 3

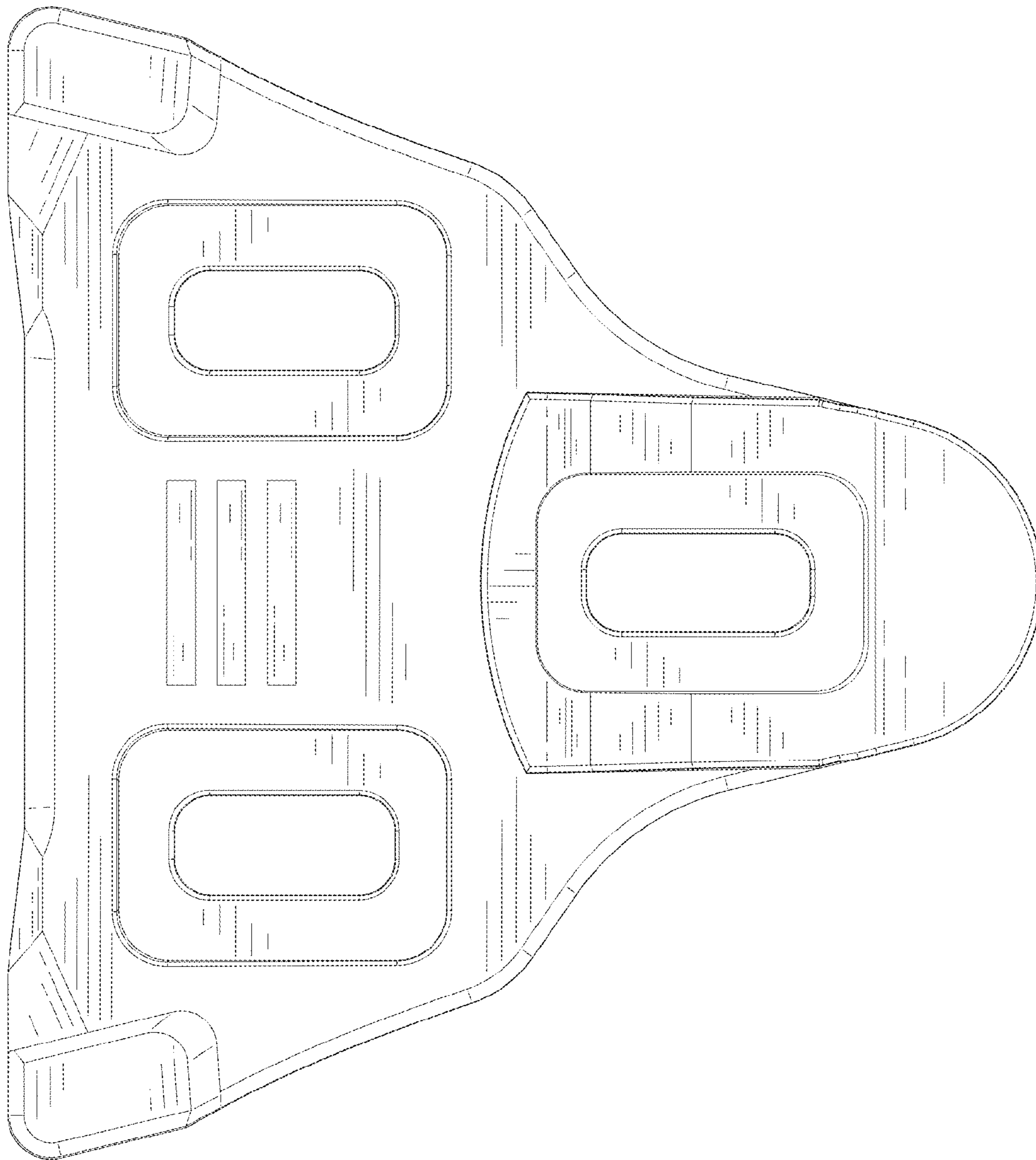


FIG. 4

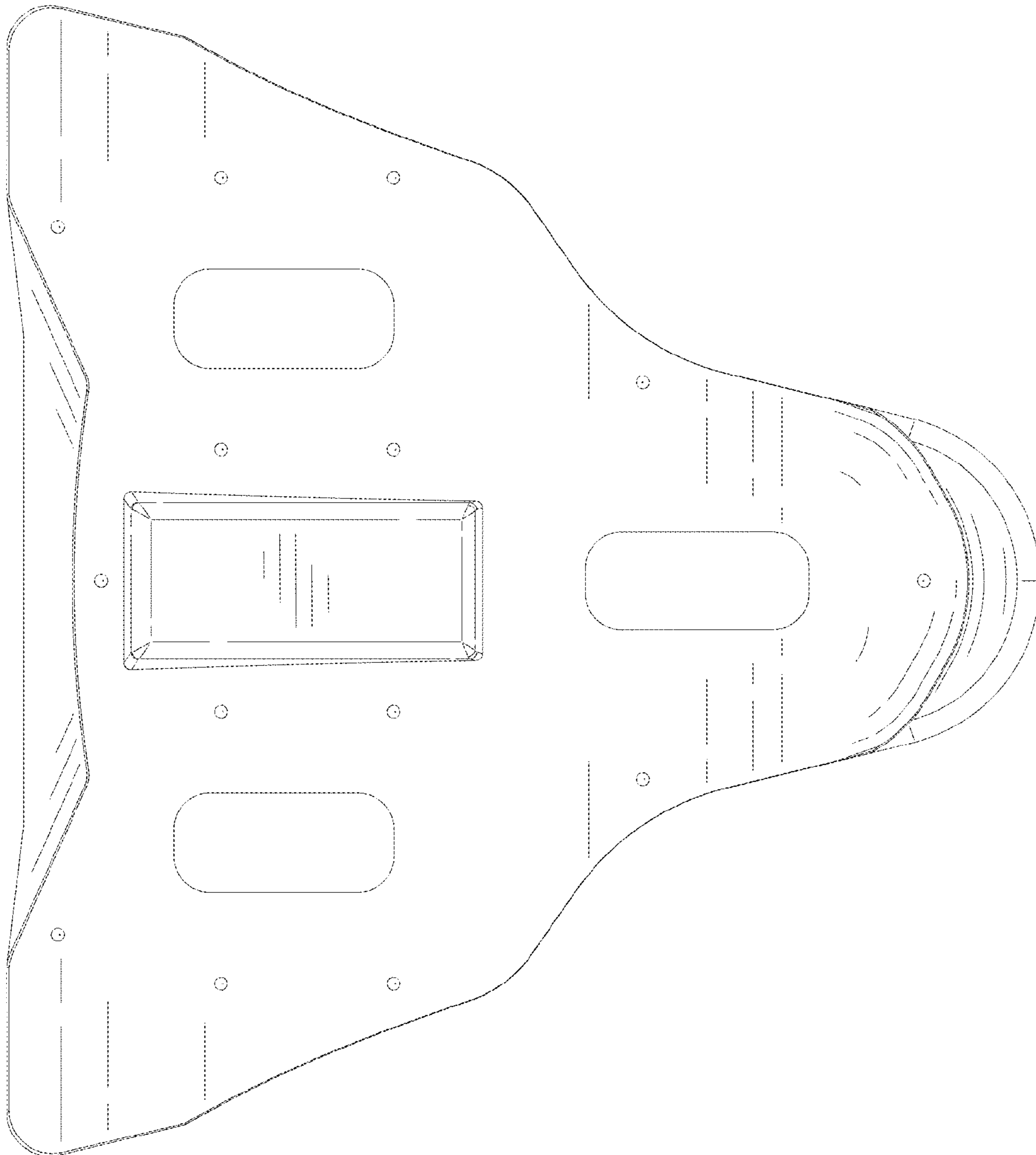


FIG. 5

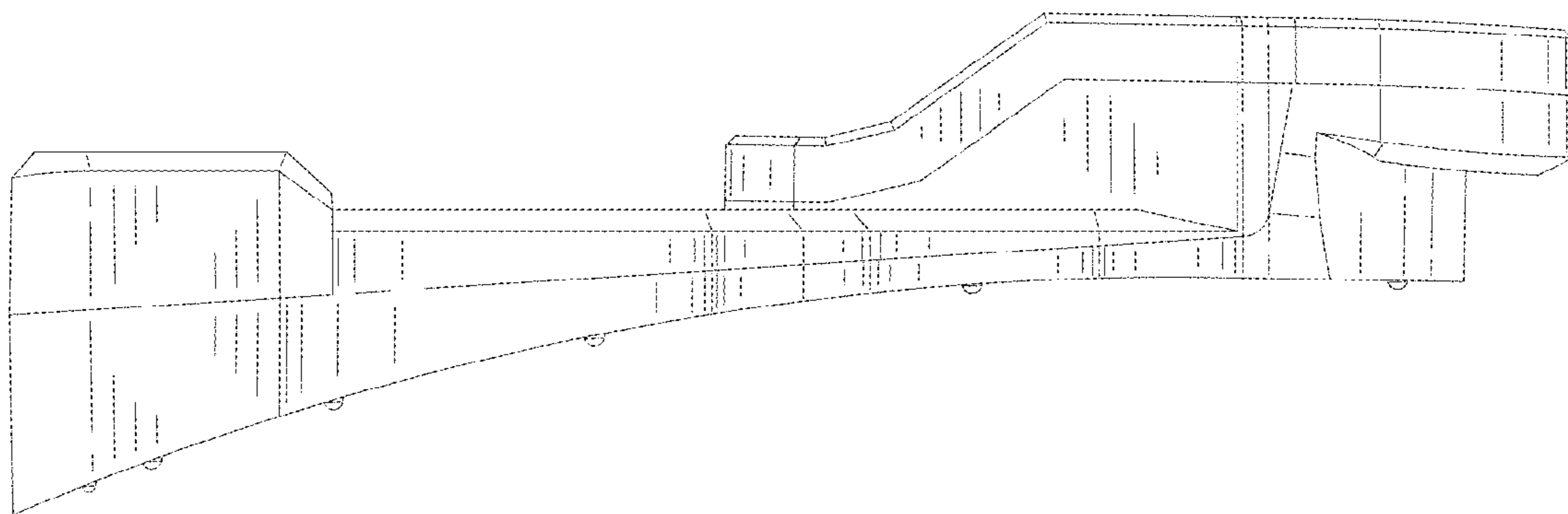


FIG. 6

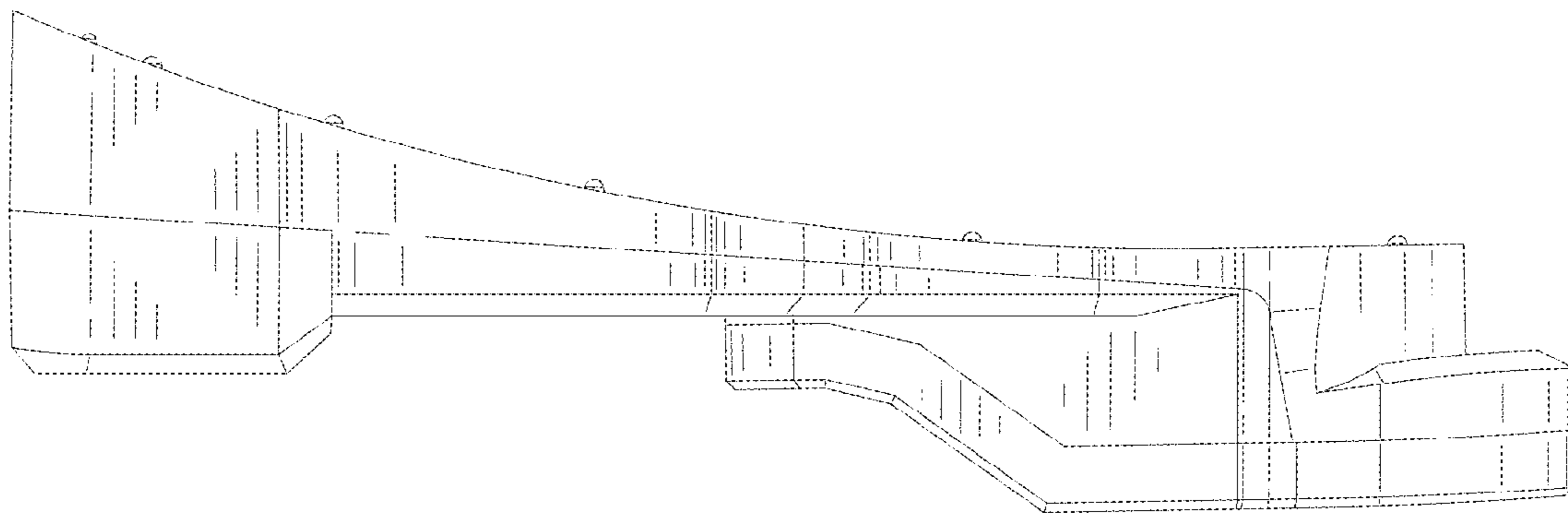


FIG. 7

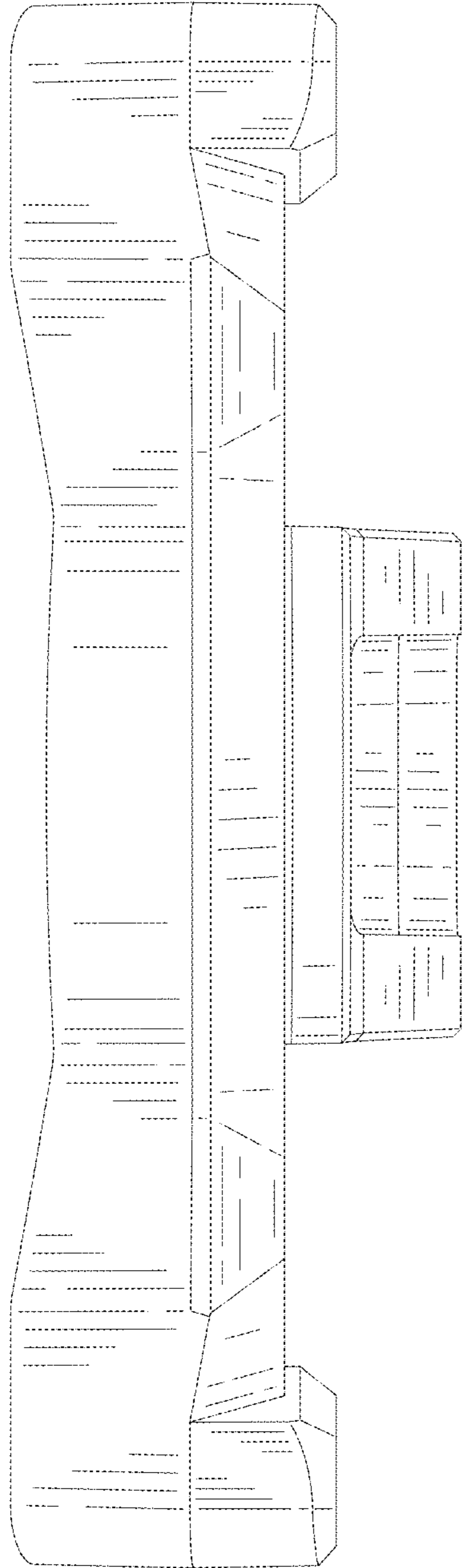


FIG. 8

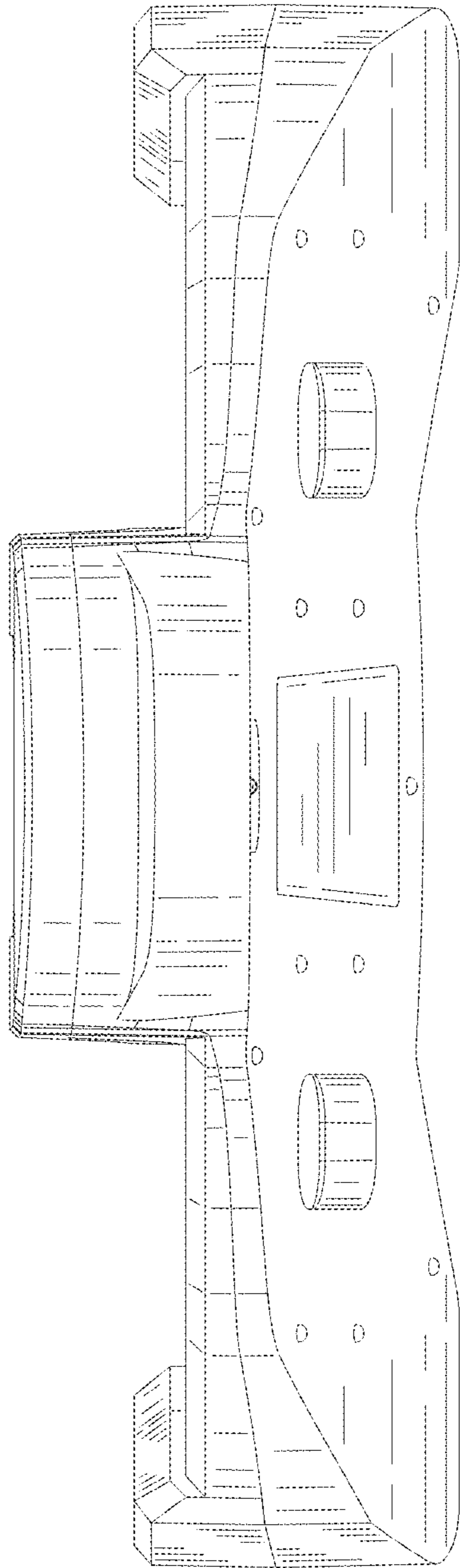


FIG. 9

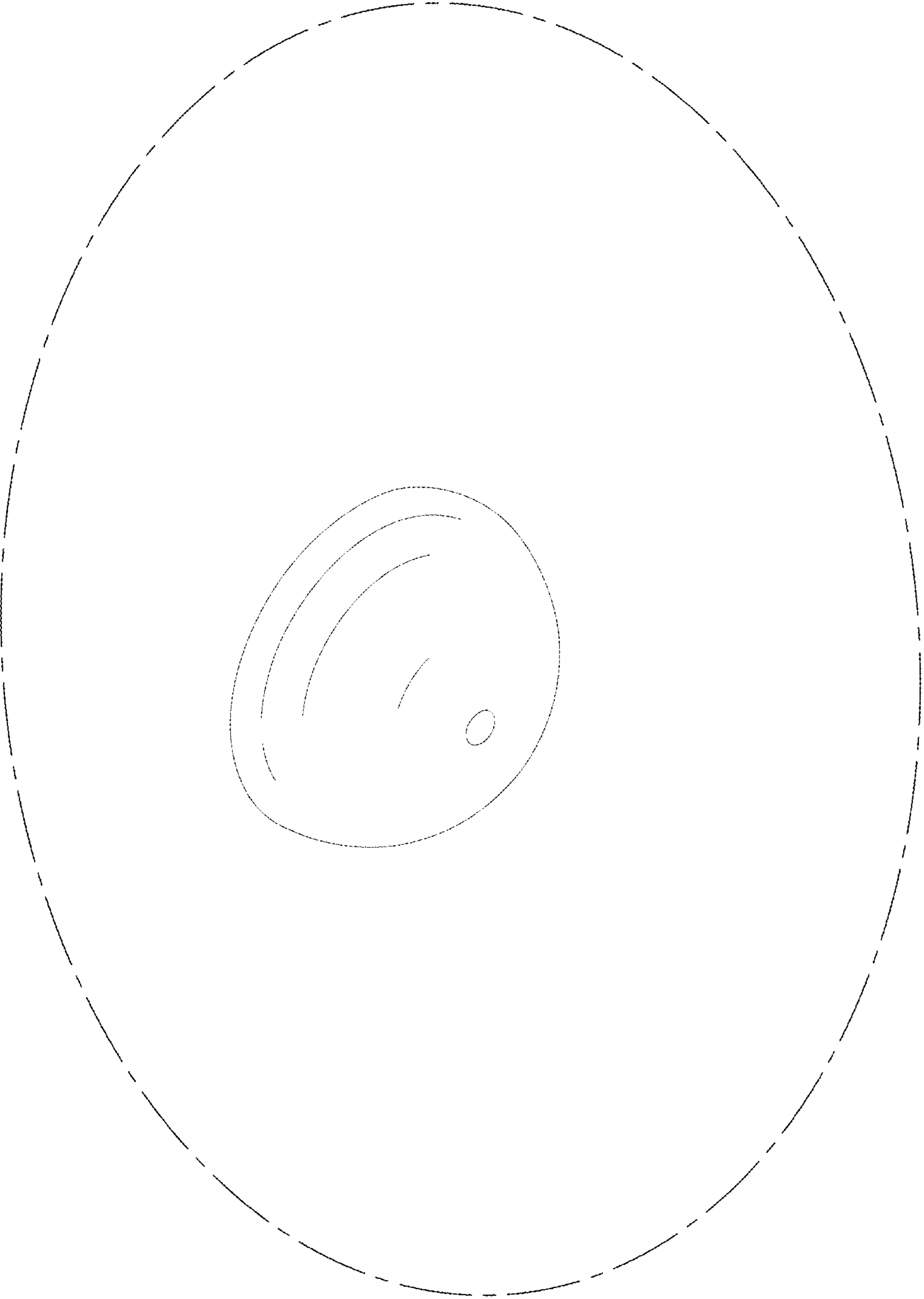


FIG. 10