



US00D969030S

(12) **United States Design Patent**
Chen

(10) **Patent No.:** **US D969,030 S**
(45) **Date of Patent:** **** Nov. 8, 2022**

(54) **ELECTRIC SCOOTER**

FOREIGN PATENT DOCUMENTS

(71) Applicant: **DongGuan LvKang Energy-saving Technology Co., Ltd., Dongguan (CN)**

CN	301889942	*	4/2012
CN	302488849	*	7/2013
EM	003796135-0001	*	3/2017
IN	343899-001-0001	*	5/2022

(72) Inventor: **Ruqian Chen, Dongguan (CN)**

(73) Assignee: **DongGuan LvKang Energy-saving Technology Co., Ltd., Dongguan (CN)**

OTHER PUBLICATIONS

(**) Term: **15 Years**

Ajoosos X60 Electric Scooter with Seat Quick Release Fold, available in Amazon.com, date first available Feb. 10, 2022 [online], [site visited Sep. 2, 2022], Available from the internet URL: https://www.amazon.com/AJOOSOS-Electric-X60-High-Power-Capacity/dp/B09S5TDBGX/ref=sr_1_34?crd=4VD28R2IJSYF&keywords=dual+motor+.*

Top 10 Best Dual Motor Electric Scooters of 2022, announced in YouTube on Jun. 30, 2022 [online], [site visited Sep. 2, 2022], Available from the internet URL: https://www.youtube.com/watch?v=qF9GArsffJU.*

(21) Appl. No.: **29/842,128**

(22) Filed: **Jun. 10, 2022**

(51) **LOC (13) Cl.** **12-11**

(52) **U.S. Cl.**
USPC **D12/110**

(58) **Field of Classification Search**
USPC D12/1, 8, 108, 110, 112, 113; D21/419, D21/421, 423, 426-428, 432, 435, 760, D21/763, 765, 771
CPC B60Y 2200/126; B62K 3/002; B62K 9/00; B62K 9/02; B62K 2202/00; B62K 15/00; B62K 2015/001; B62K 2015/003
See application file for complete search history.

* cited by examiner

Primary Examiner — Darlington Ly
Assistant Examiner — D. Ryan Tisdale
(74) *Attorney, Agent, or Firm* — Nitin Kaushik

(56) **References Cited**

(57) **CLAIM**

The ornamental design for an electric scooter, as shown and described.

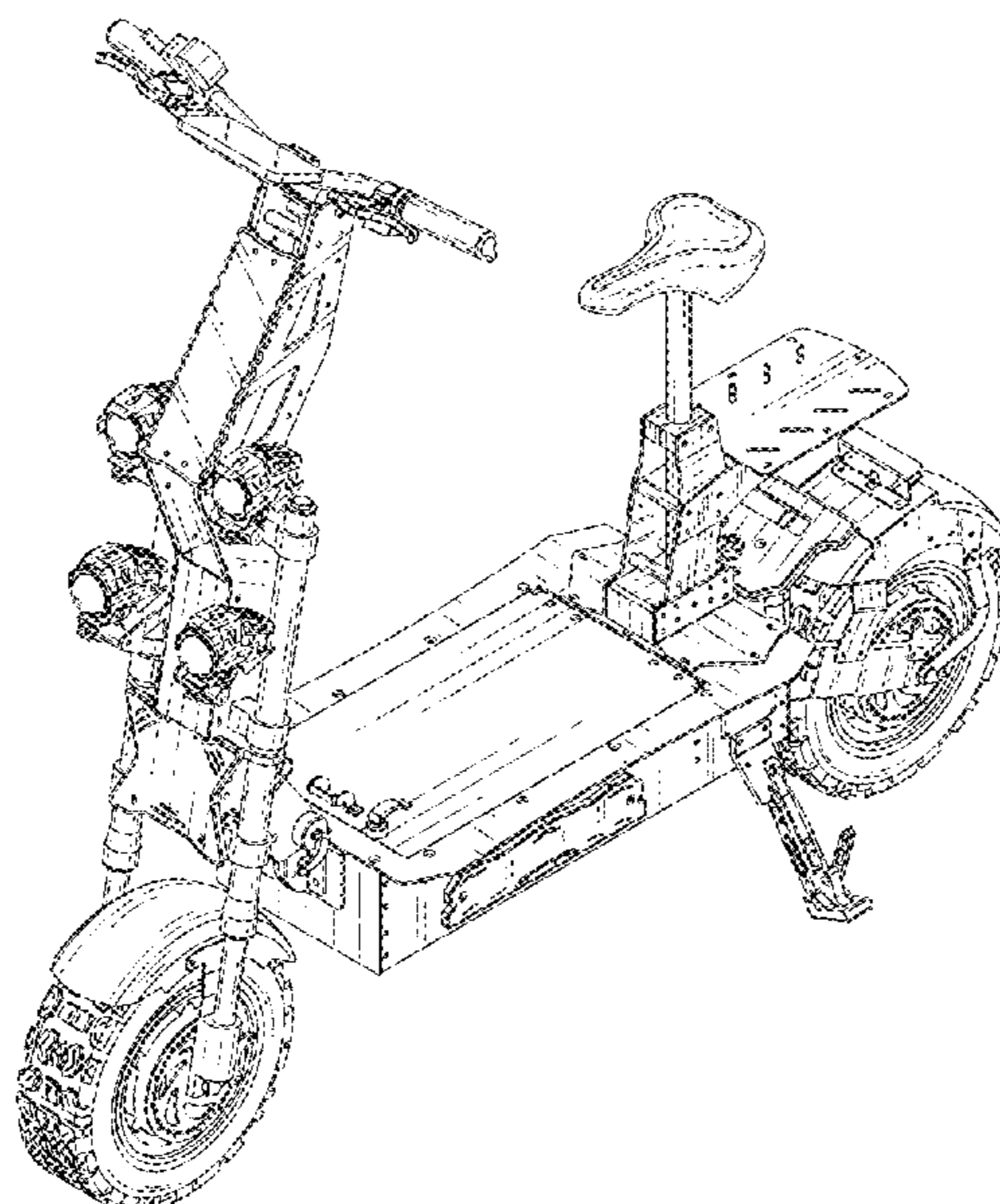
U.S. PATENT DOCUMENTS

DESCRIPTION

D803,948 S *	11/2017	Chis	D21/423
D814,978 S *	4/2018	Niu	D21/423
D830,911 S *	10/2018	Li	D12/110
D846,031 S *	4/2019	Dröge	D21/423
D883,396 S *	5/2020	Deng	D21/423
D929,269 S *	8/2021	Chen	D12/111
D947,723 S *	4/2022	Hu	D12/111
D951,145 S	5/2022	Hu et al.		
D956,143 S *	6/2022	Xie	D21/423
D961,458 S *	8/2022	Xie	D12/110
2004/0016582 A1 *	1/2004	Ho	B62M 7/08 180/181

FIG. 1 is a front perspective view of an electric scooter, showing my new design;
FIG. 2 is a front view thereof;
FIG. 3 is a rear view thereof;
FIG. 4 is a left side view thereof;
FIG. 5 is a right side view thereof;
FIG. 6 is a top view thereof; and,
FIG. 7 is a bottom view thereof.

1 Claim, 7 Drawing Sheets



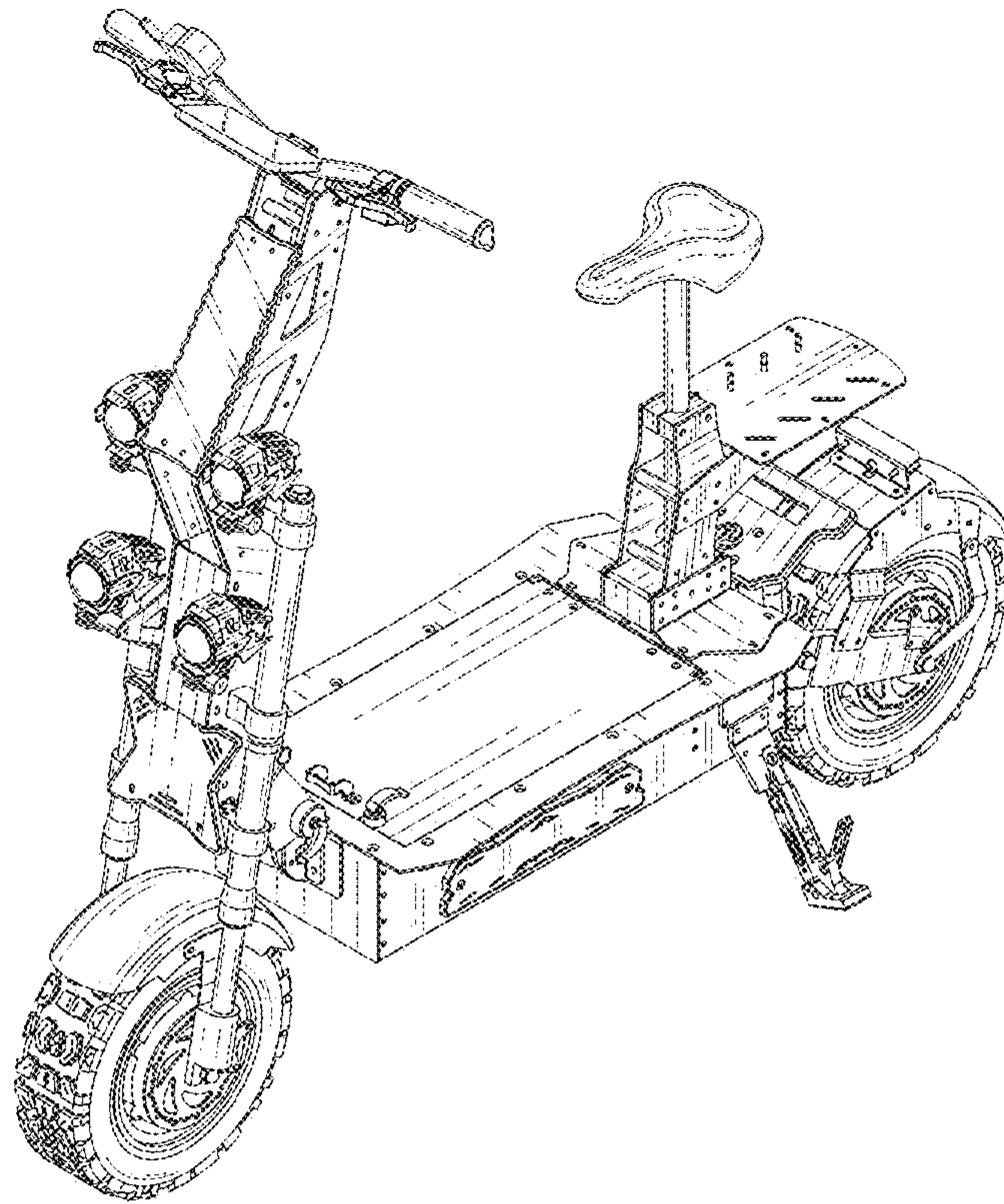


FIG. 1

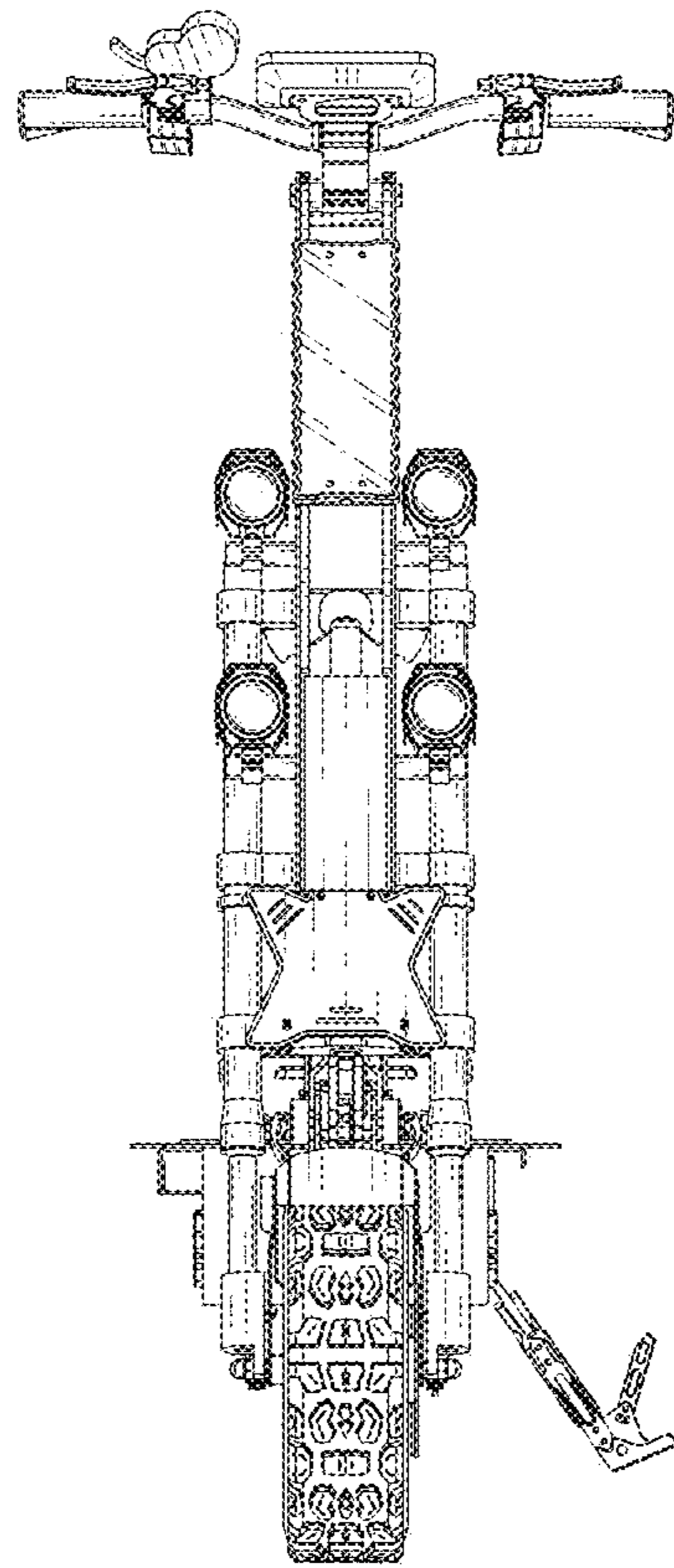


FIG. 2

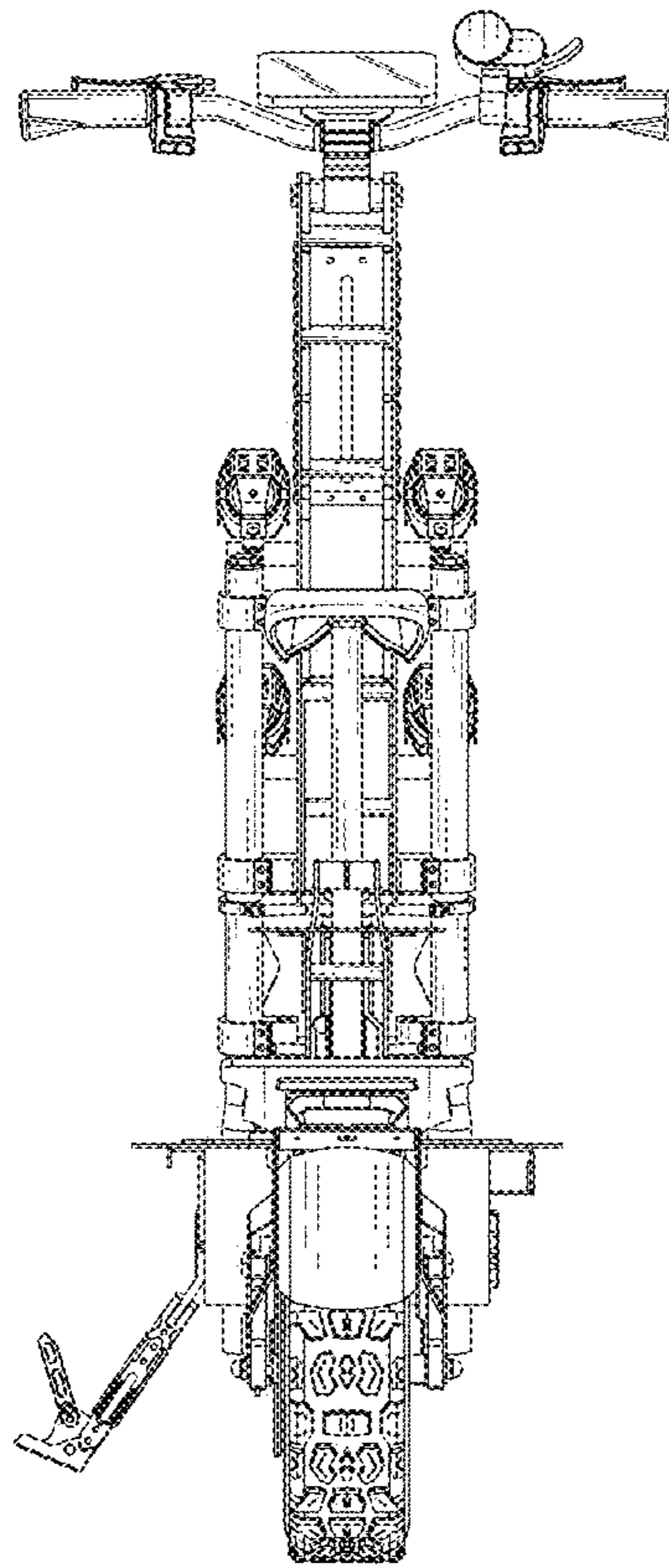


FIG. 3

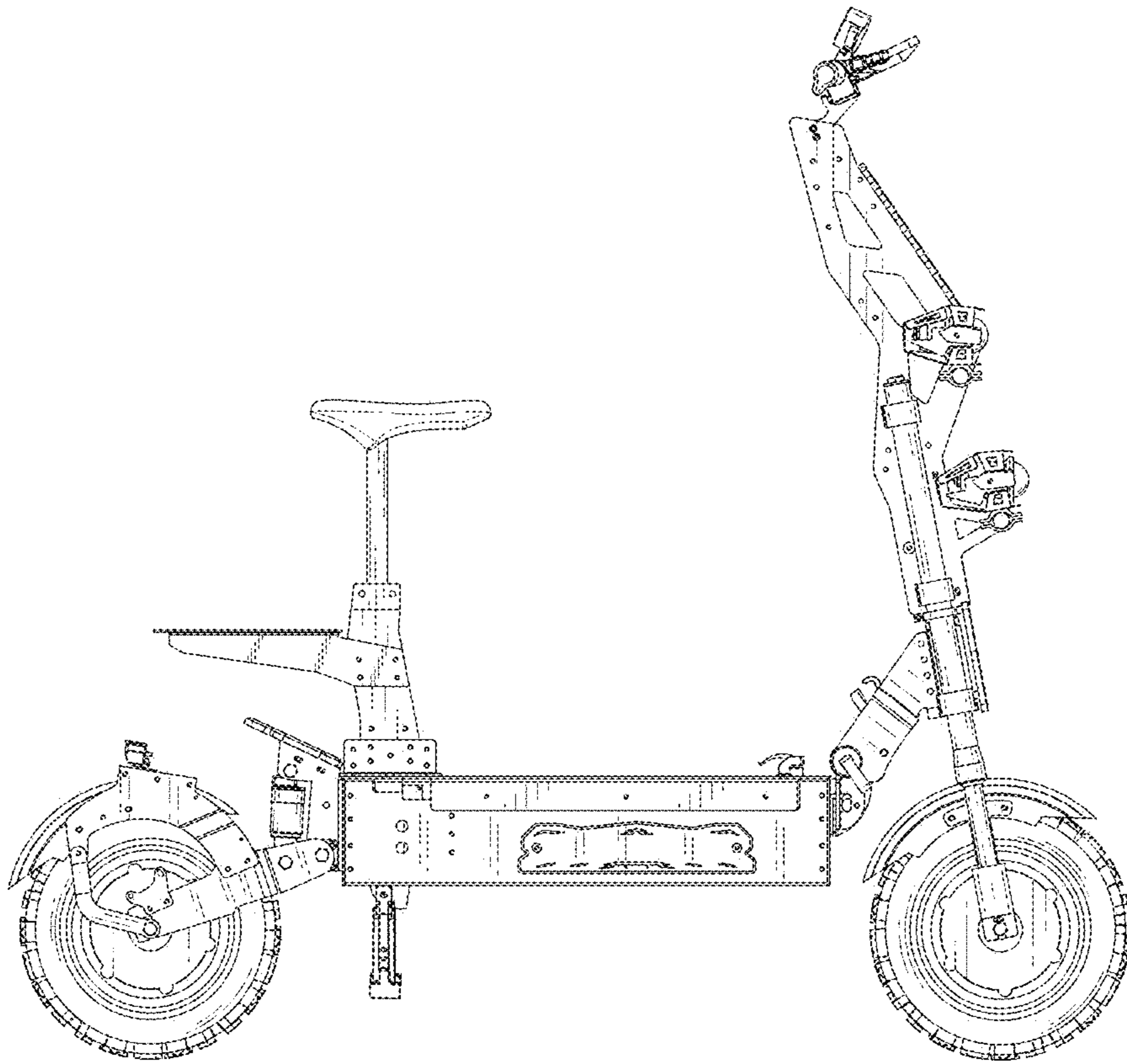


FIG. 4

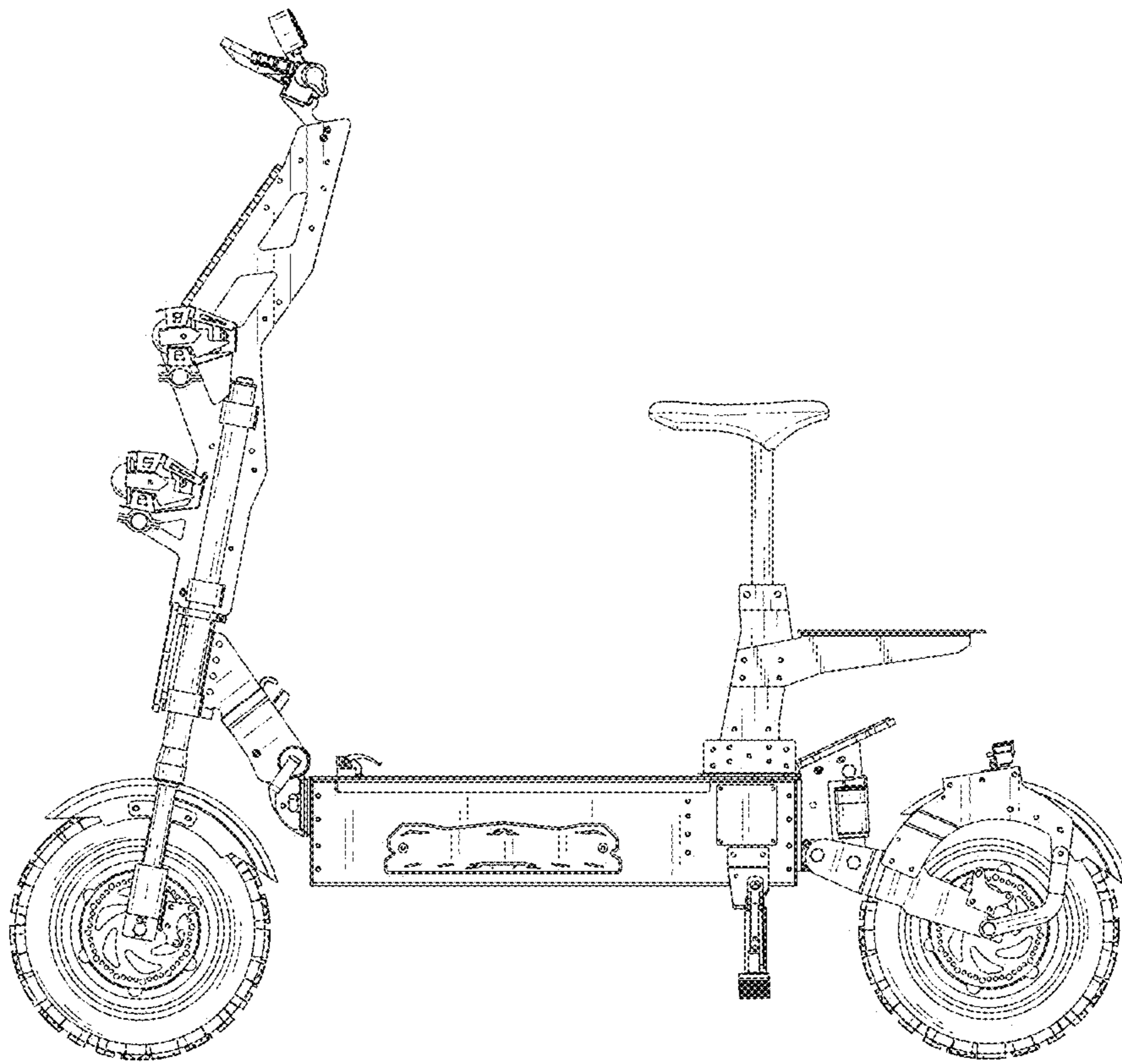


FIG. 5

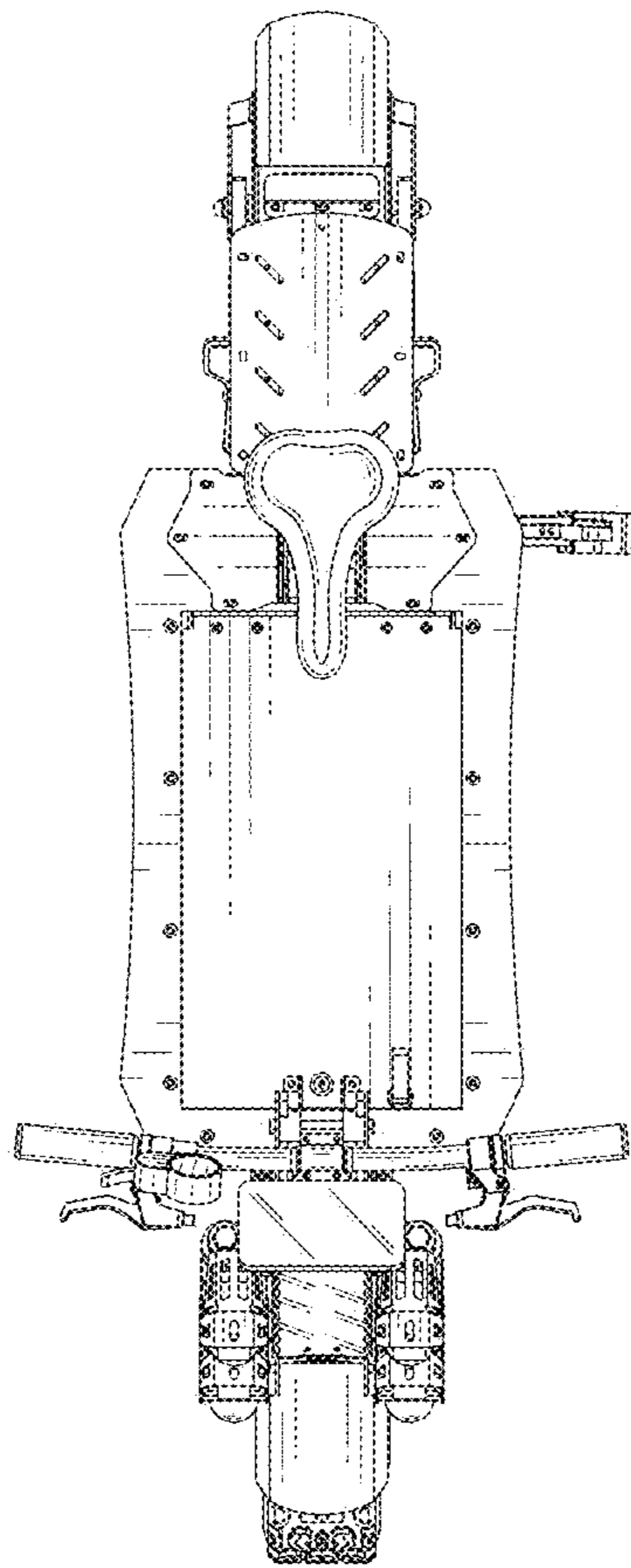


FIG. 6

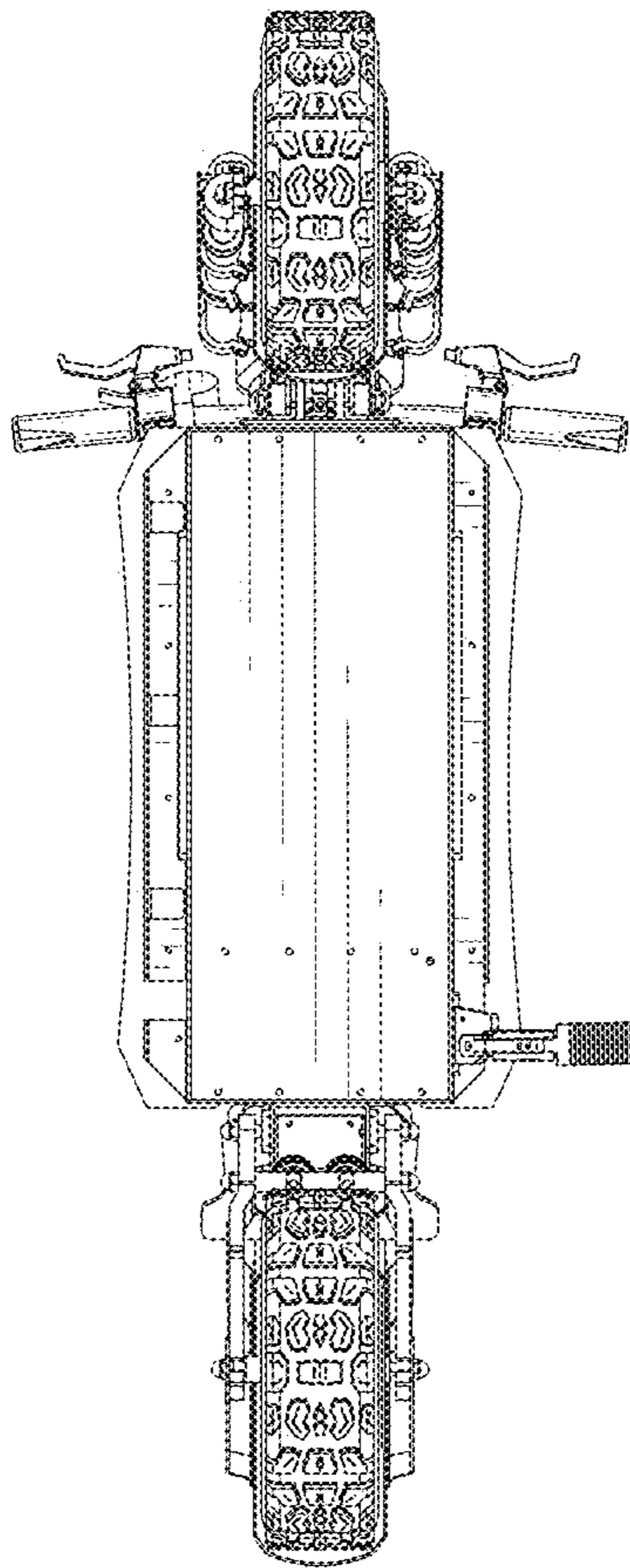


FIG. 7