



US00D969029S

(12) **United States Design Patent**
Neufeld et al.

(10) **Patent No.:** **US D969,029 S**
(45) **Date of Patent:** **** Nov. 8, 2022**

(54) **TRAILER BOX**

(71) Applicant: **HORIZON TRAILERS LLC**, El Paso, TX (US)

(72) Inventors: **Bernhard Loewen Neufeld**, Riva Palacio (MX); **Antonio Marquez Palacios**, Riva Palacio (MX); **David Armando Garcia Villezcas**, Cuauhtemoc (MX)

(73) Assignee: **Horizon Trailers LLC**, El Paso, TX (US)

(**) Term: **15 Years**

(21) Appl. No.: **29/837,494**

(22) Filed: **May 5, 2022**

(51) **LOC (13) Cl.** **12-16**

(52) **U.S. Cl.**
USPC **D12/105**

(58) **Field of Classification Search**
USPC D12/19, 129, 100–106, 111–112;
D21/435, 425; D34/412, 416–419
CPC B60P 3/10; B60P 3/1033; B60P 3/0257;
B60P 3/38; B60P 3/34; B62D 33/077;
B62D 33/0612; B62D 24/04
See application file for complete search history.

(56) **References Cited**

U.S. PATENT DOCUMENTS

1,148,739 A * 8/1915 Bartholomew F16P 3/08
192/133
3,163,463 A 12/1964 Femrite
4,035,015 A 7/1977 Smith
4,239,258 A 12/1980 Burris
5,291,722 A 3/1994 Schweigert

6,283,537 B1 9/2001 DeVore, III
6,637,808 B1 10/2003 Ling et al.
8,857,848 B2 10/2014 Lomas et al.
(Continued)

FOREIGN PATENT DOCUMENTS

DE 240356 A1 10/1986
DE 202017003455 U1 11/2017
KR 200178602 Y1 4/2000

Primary Examiner — Katrina A Betton

(74) *Attorney, Agent, or Firm* — Trendak IP Law LLC;
Paul N. Dunlap, Esq

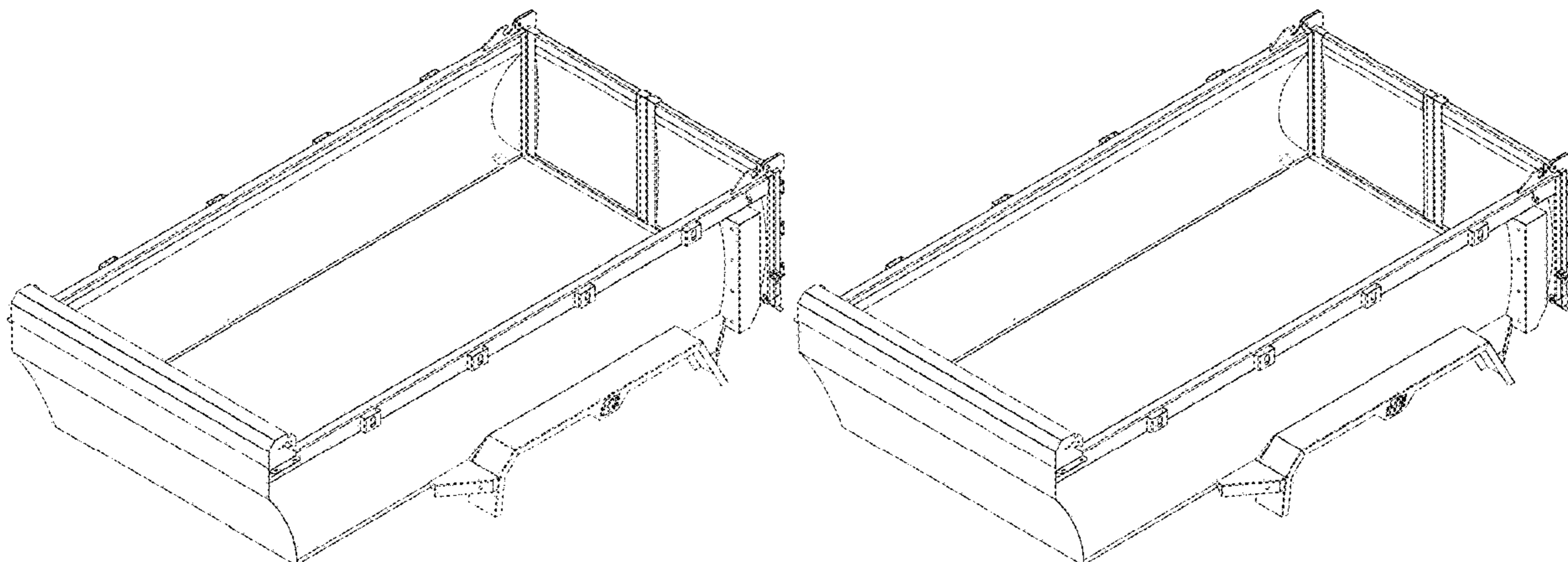
(57) **CLAIM**

The ornamental design for a trailer box, as shown and described.

DESCRIPTION

FIG. 1 is a front perspective view.
FIG. 2 is a front perspective view showing a possible use.
FIG. 3 is a right side elevation view.
FIG. 4 is a left side elevation view.
FIG. 5 is a front elevation view.
FIG. 6 is a rear elevation view.
FIG. 7 is a top plan view.
FIG. 8 is a bottom plan view.
FIG. 9 is a front perspective view of a second embodiment.
FIG. 10 is a front perspective view showing a possible use of the second embodiment.
FIG. 11 is a right side elevation view of the second embodiment.
FIG. 12 is a left side elevation view of the second embodiment.
FIG. 13 is a front elevation view of the second embodiment.
FIG. 14 is a rear elevation view of the second embodiment.
FIG. 15 is a top plan view of the second embodiment; and
FIG. 16 is a bottom plan view of the second embodiment.
Dashed lines show optional features not a part of the claim.

1 Claim, 16 Drawing Sheets



(56)

References Cited

U.S. PATENT DOCUMENTS

D737,725	S	*	9/2015	Bell	D12/102
D738,806	S		9/2015	Williamson et al.		
D779,380	S	*	2/2017	van den Berg	D12/101
D822,544	S	*	7/2018	Black	D12/102
D836,037	S	*	12/2018	Tran	D12/102
D845,176	S	*	4/2019	McElwain	D12/101
D867,216	S	*	11/2019	Van Wyk	D12/102
D873,720	S	*	1/2020	Carter	D12/101
D886,681	S	*	6/2020	Hickok	D12/102
D887,308	S	*	6/2020	Carlson	D13/102
D888,616	S	*	6/2020	Brawley	D12/102
D906,219	S	*	12/2020	Medina	D12/221
11,285,859	B2		3/2022	King et al.		

* cited by examiner

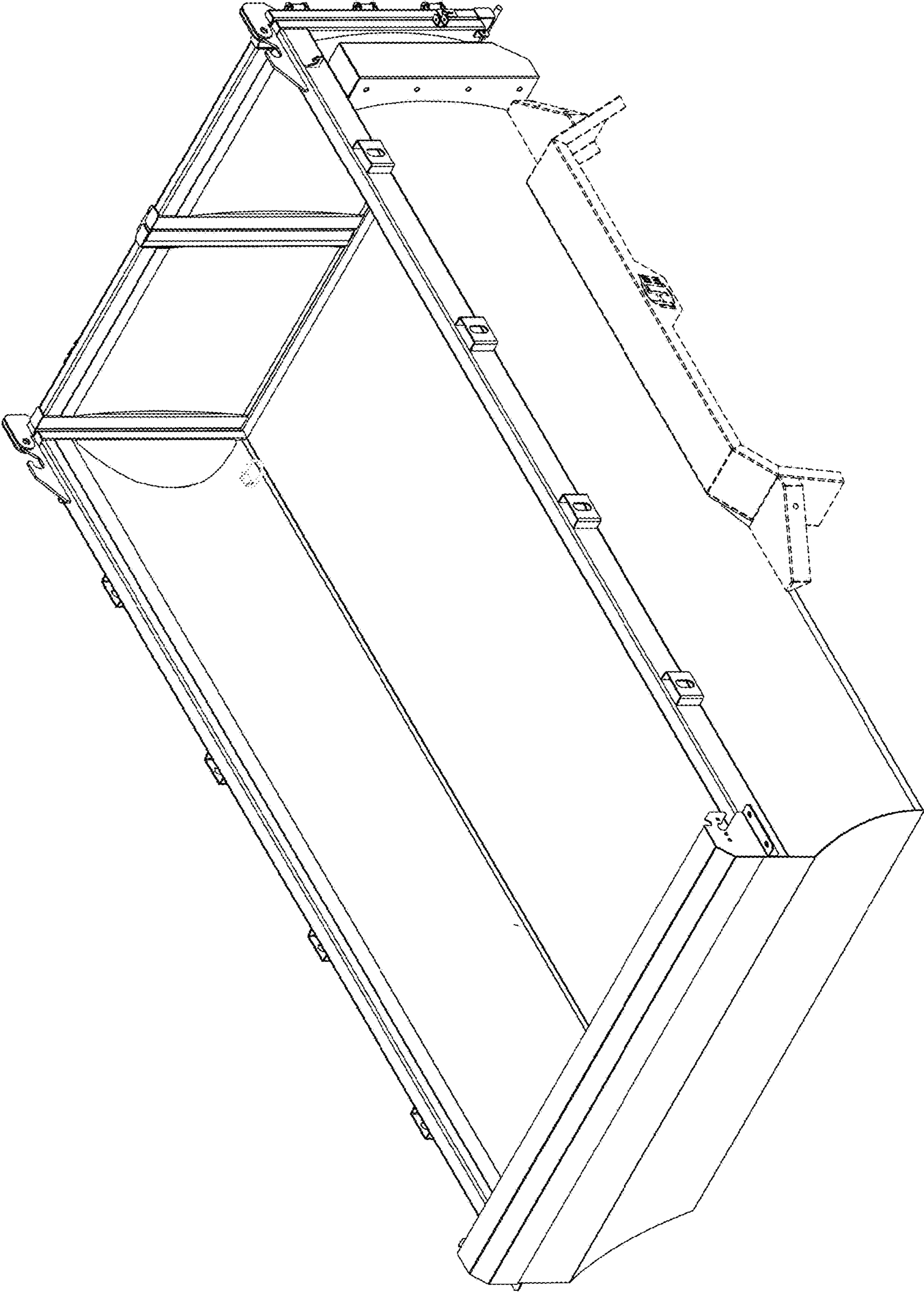


FIG. 1

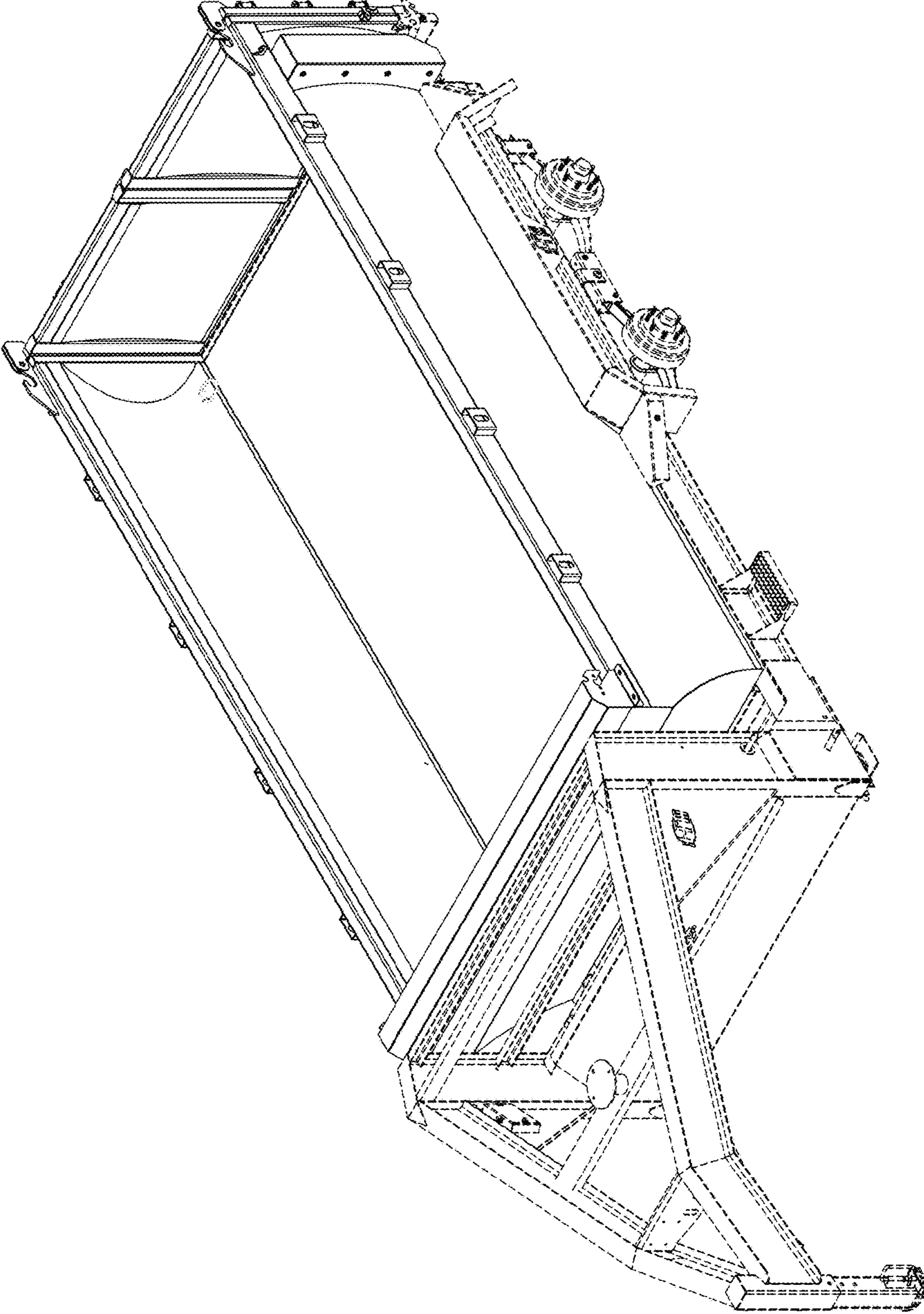


FIG. 2

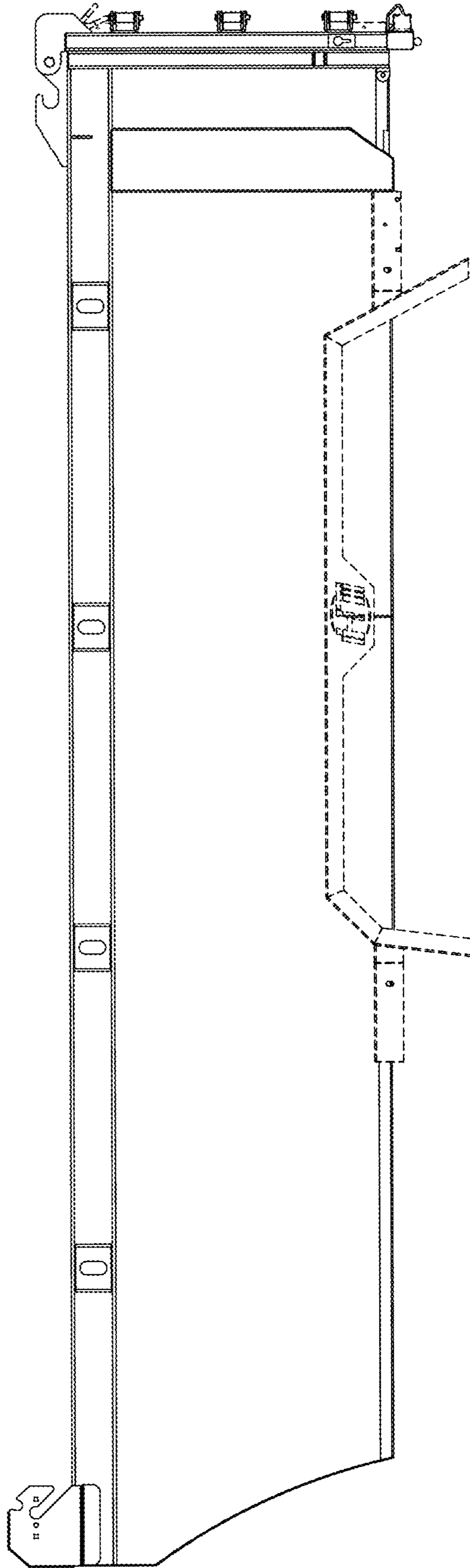


FIG. 3

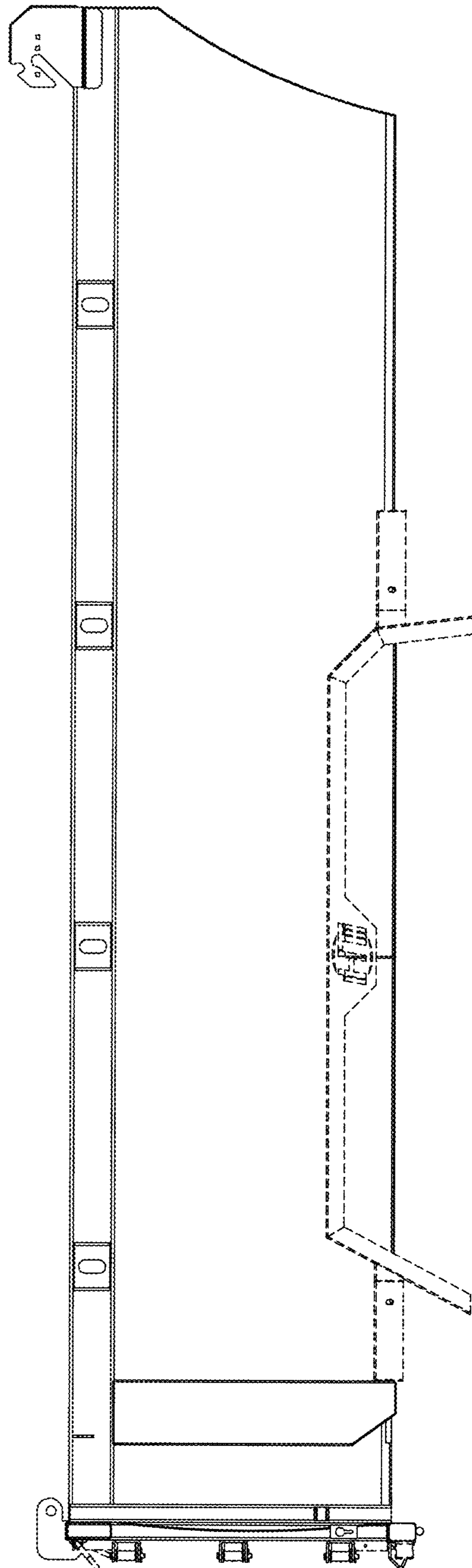


FIG. 4

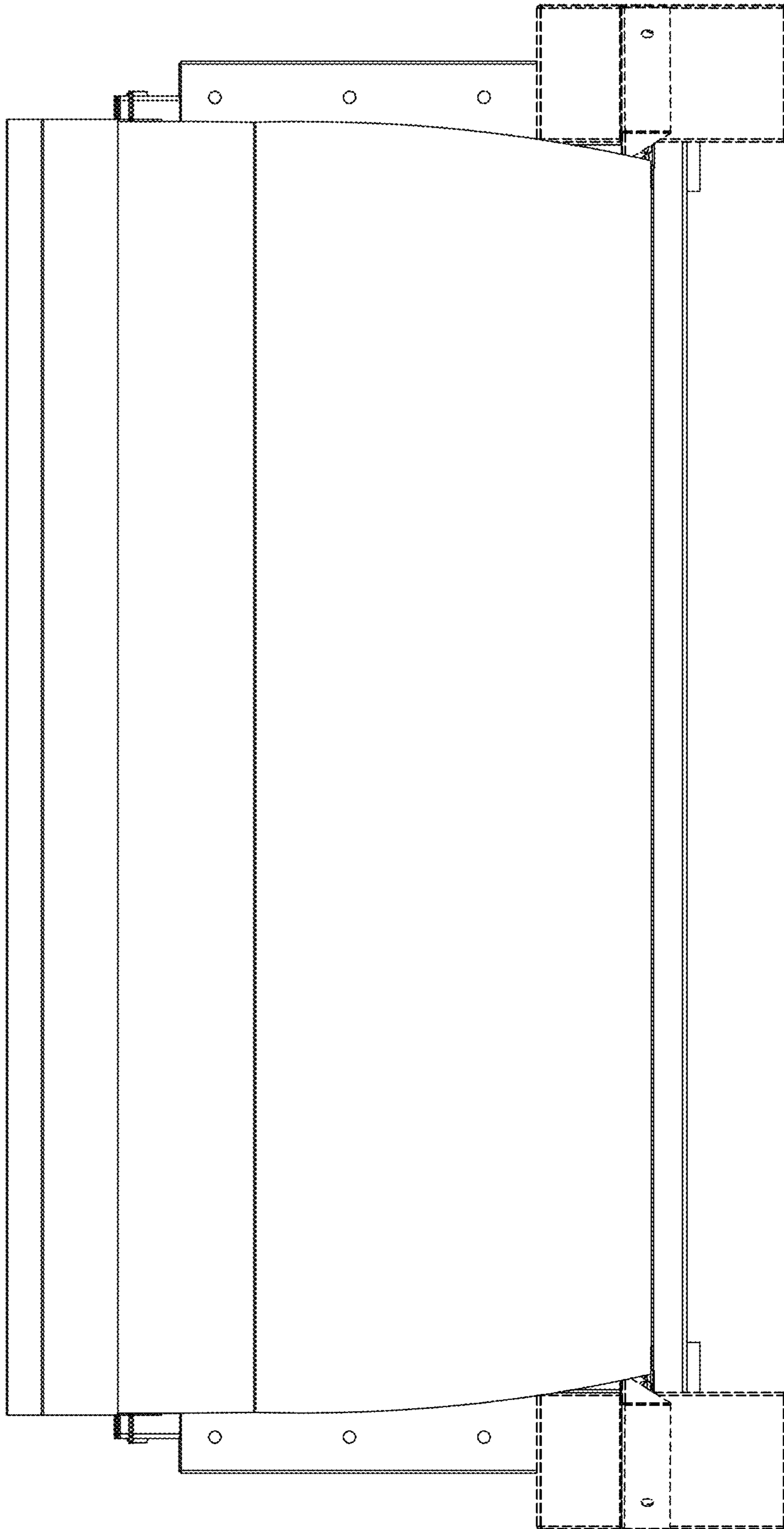


FIG. 5

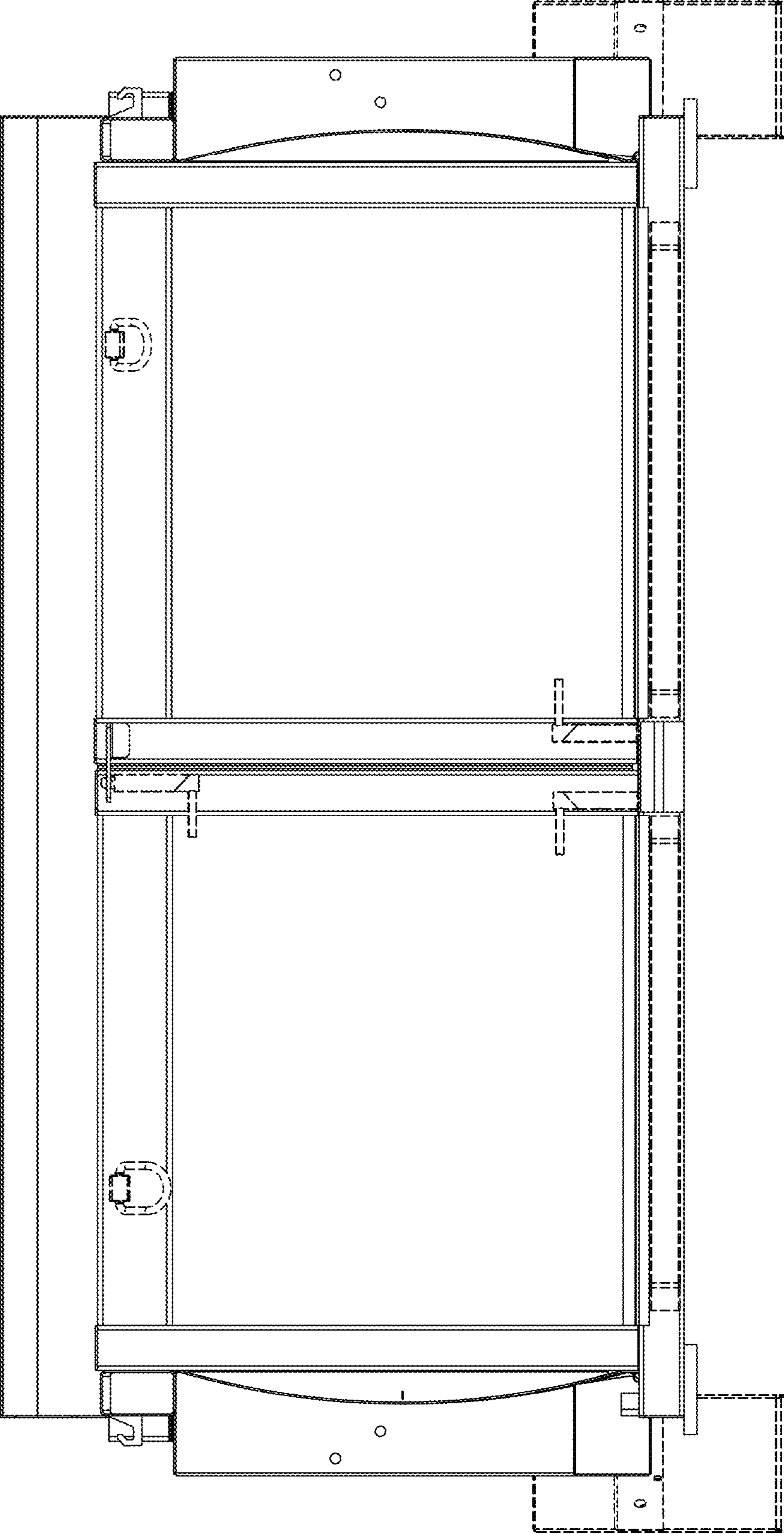


FIG. 6

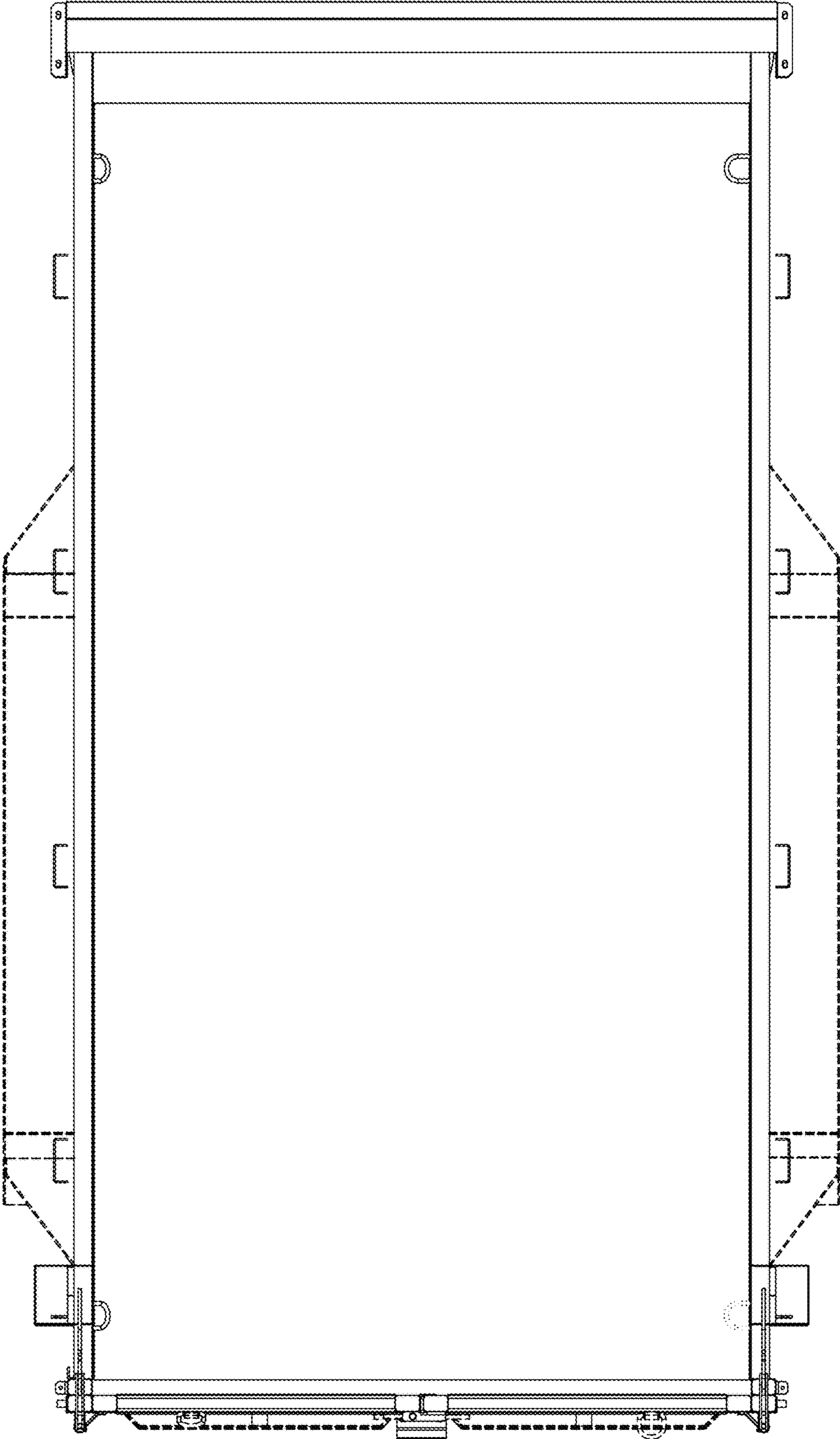


FIG. 7

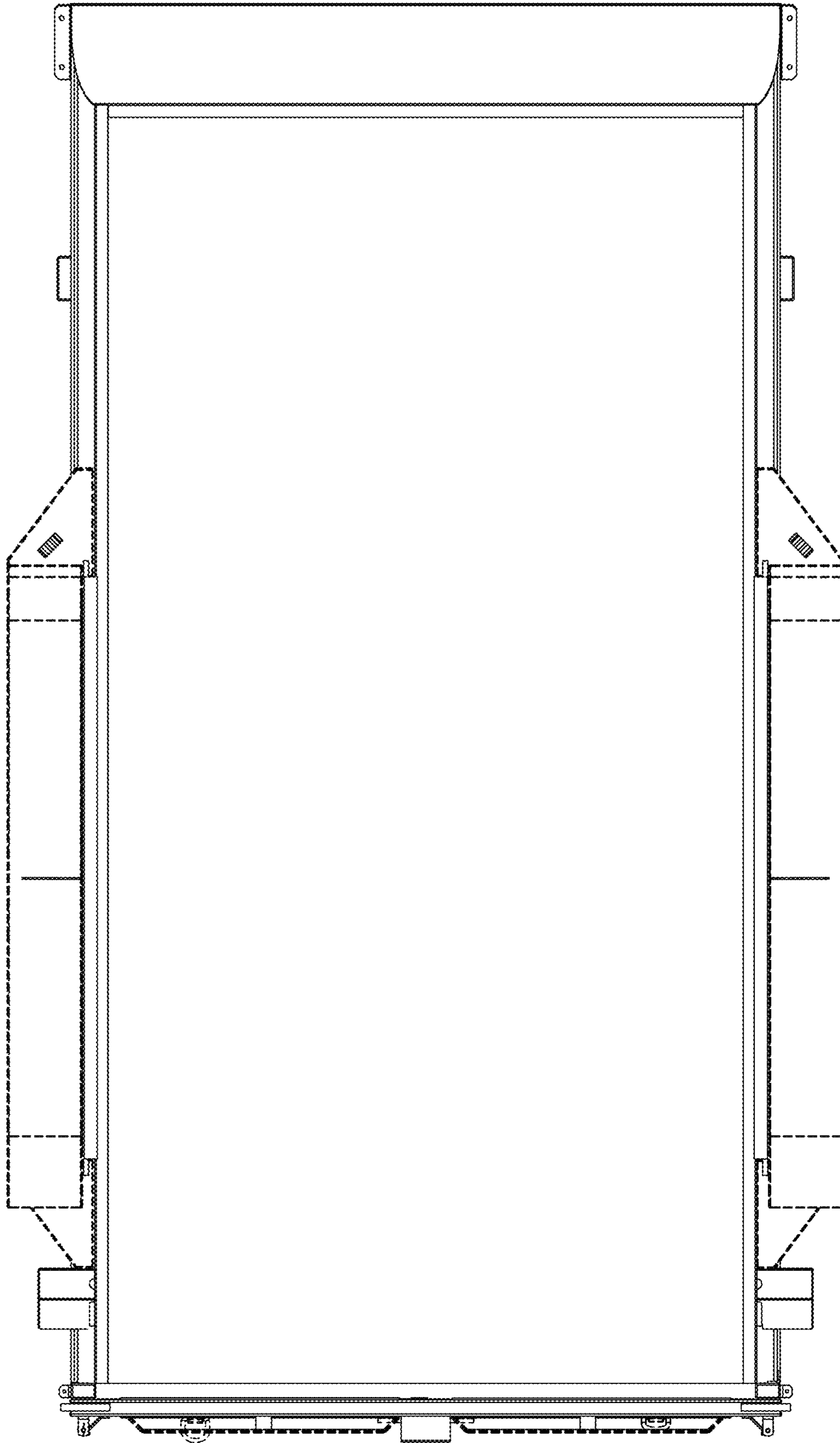


FIG. 8

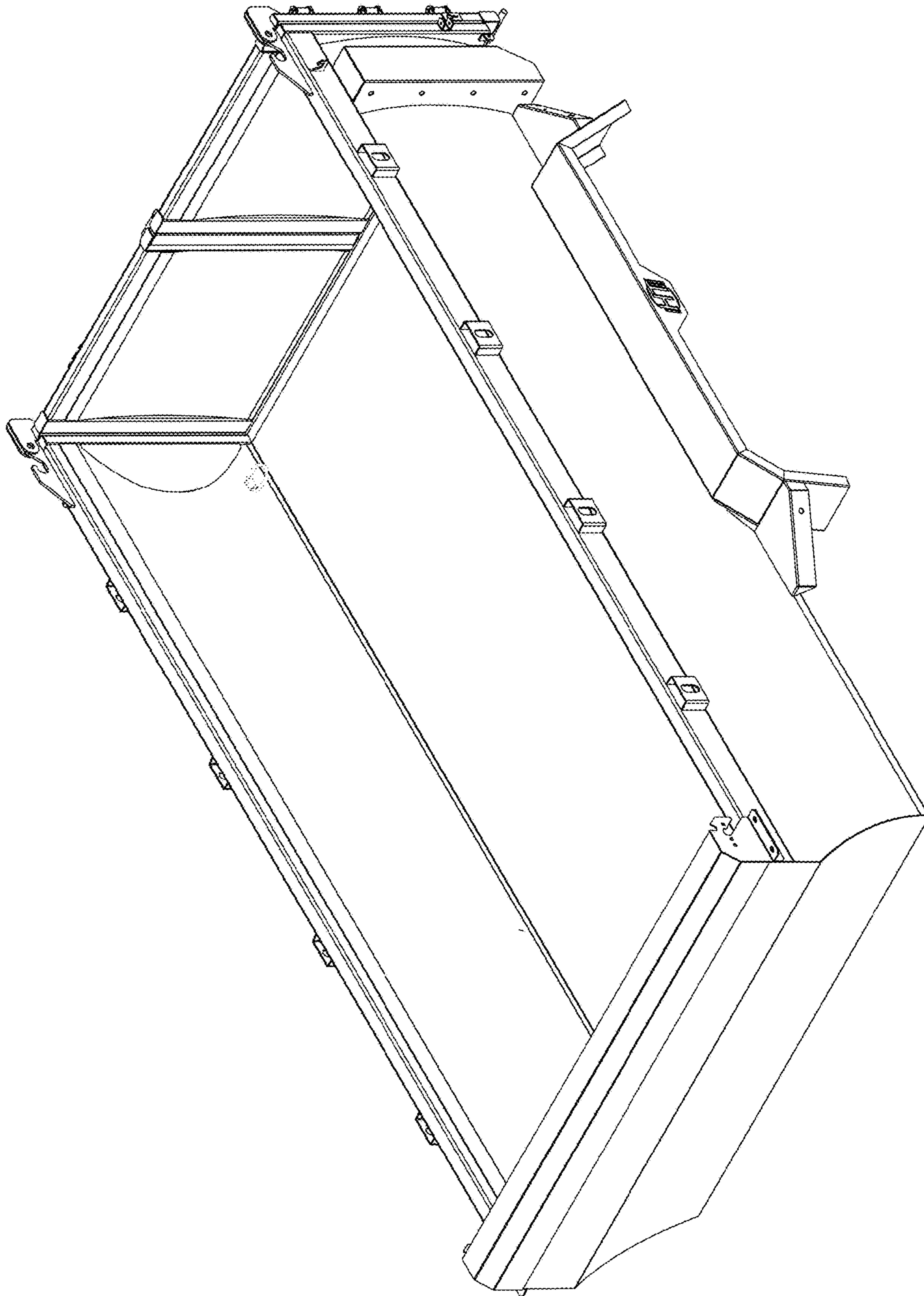


FIG. 9

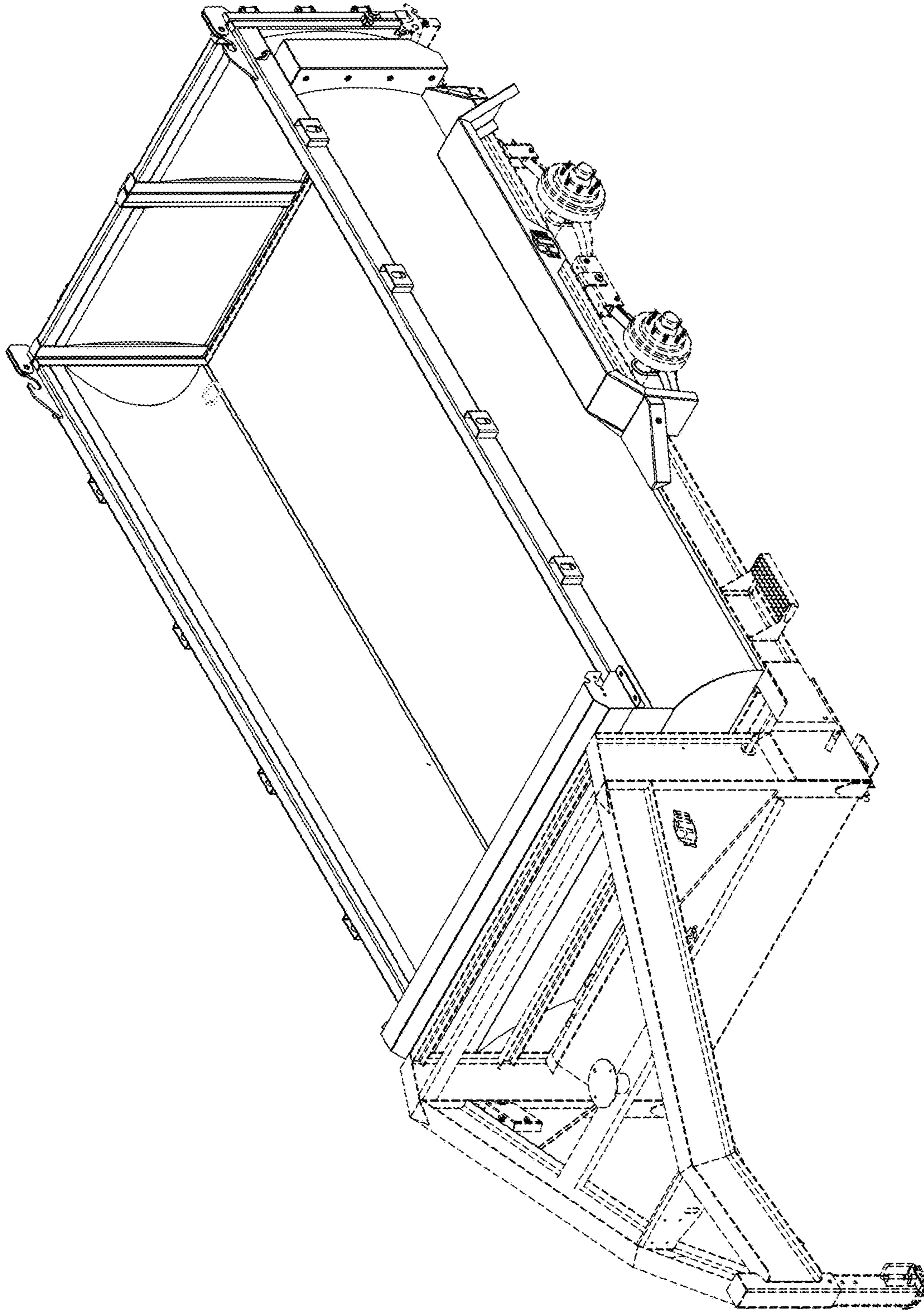


FIG. 10

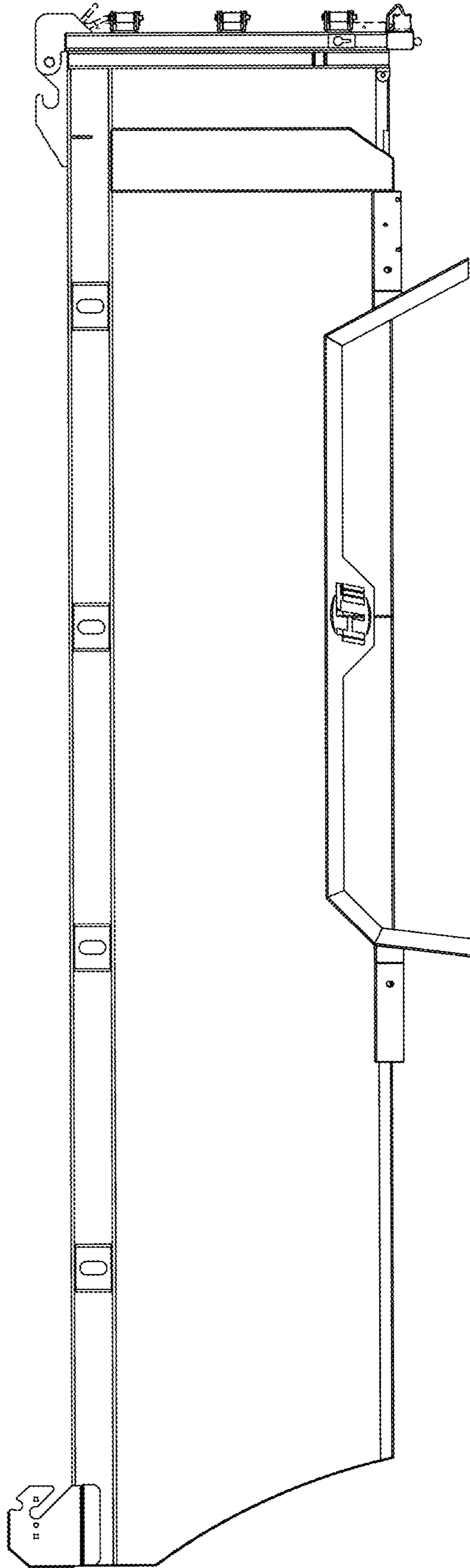


FIG. 11

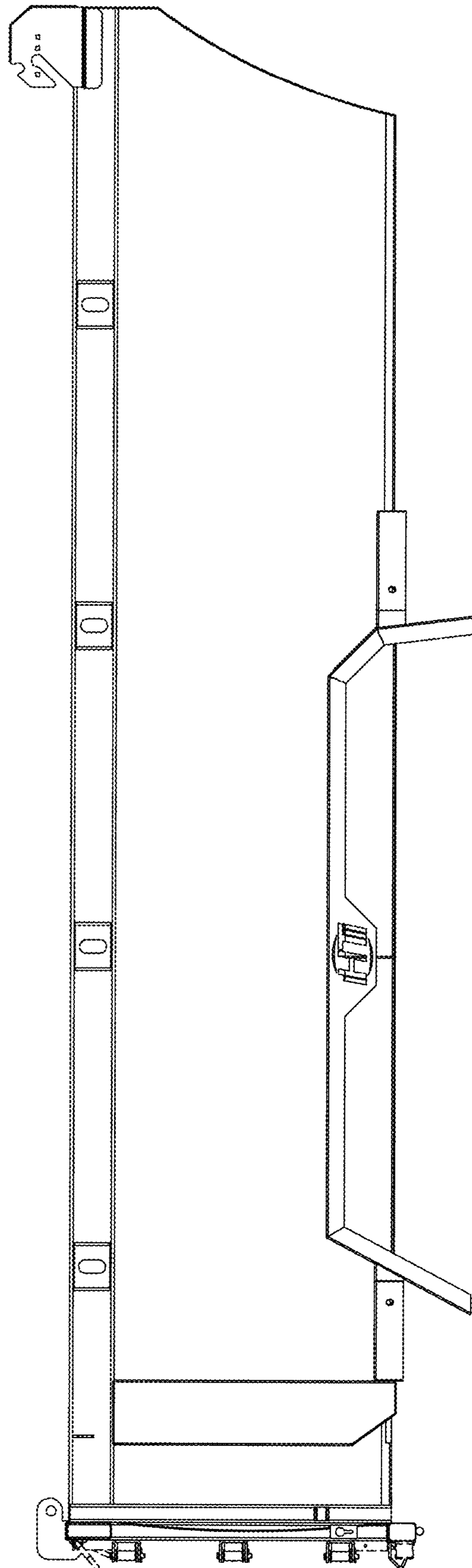


FIG. 12

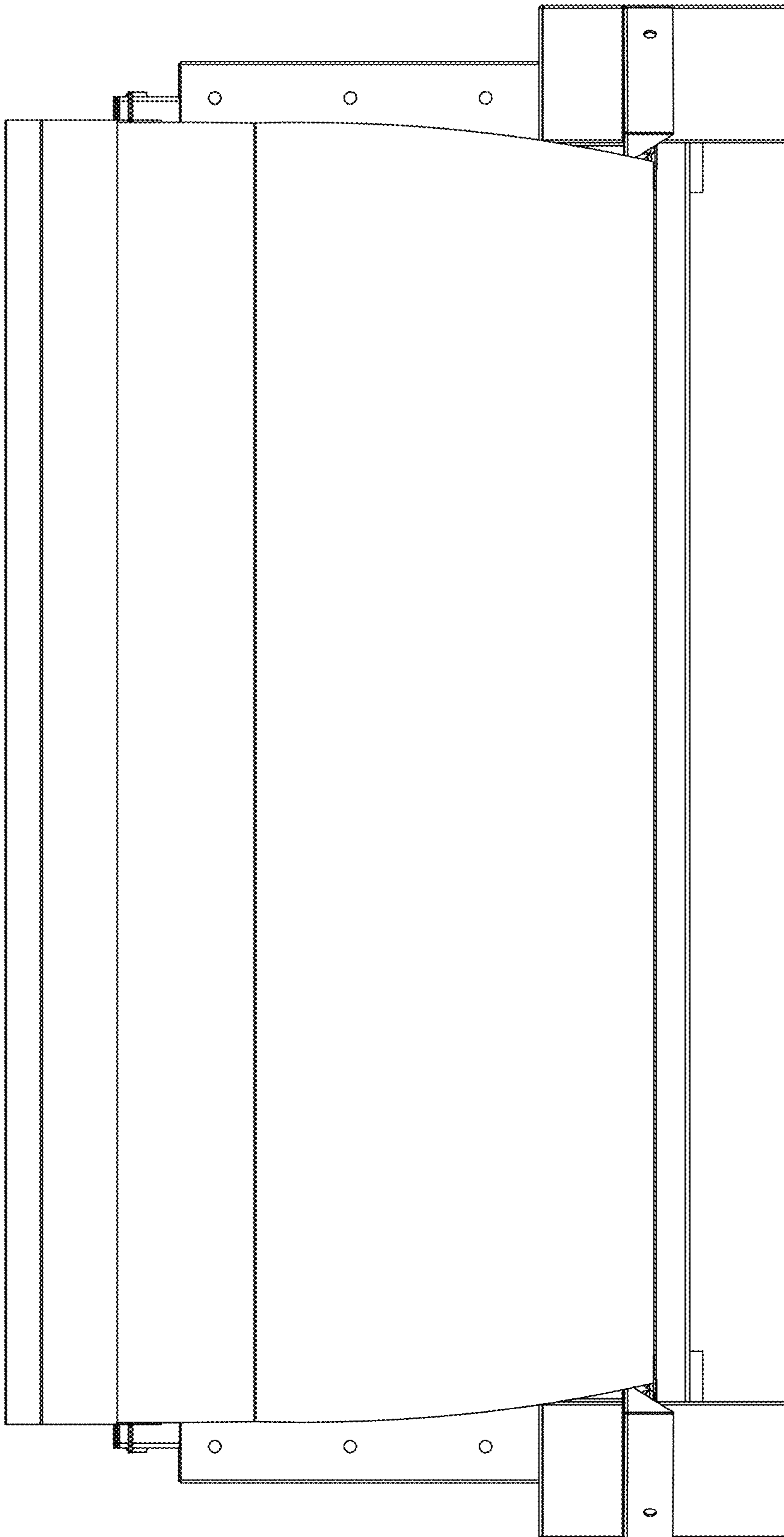


FIG. 13

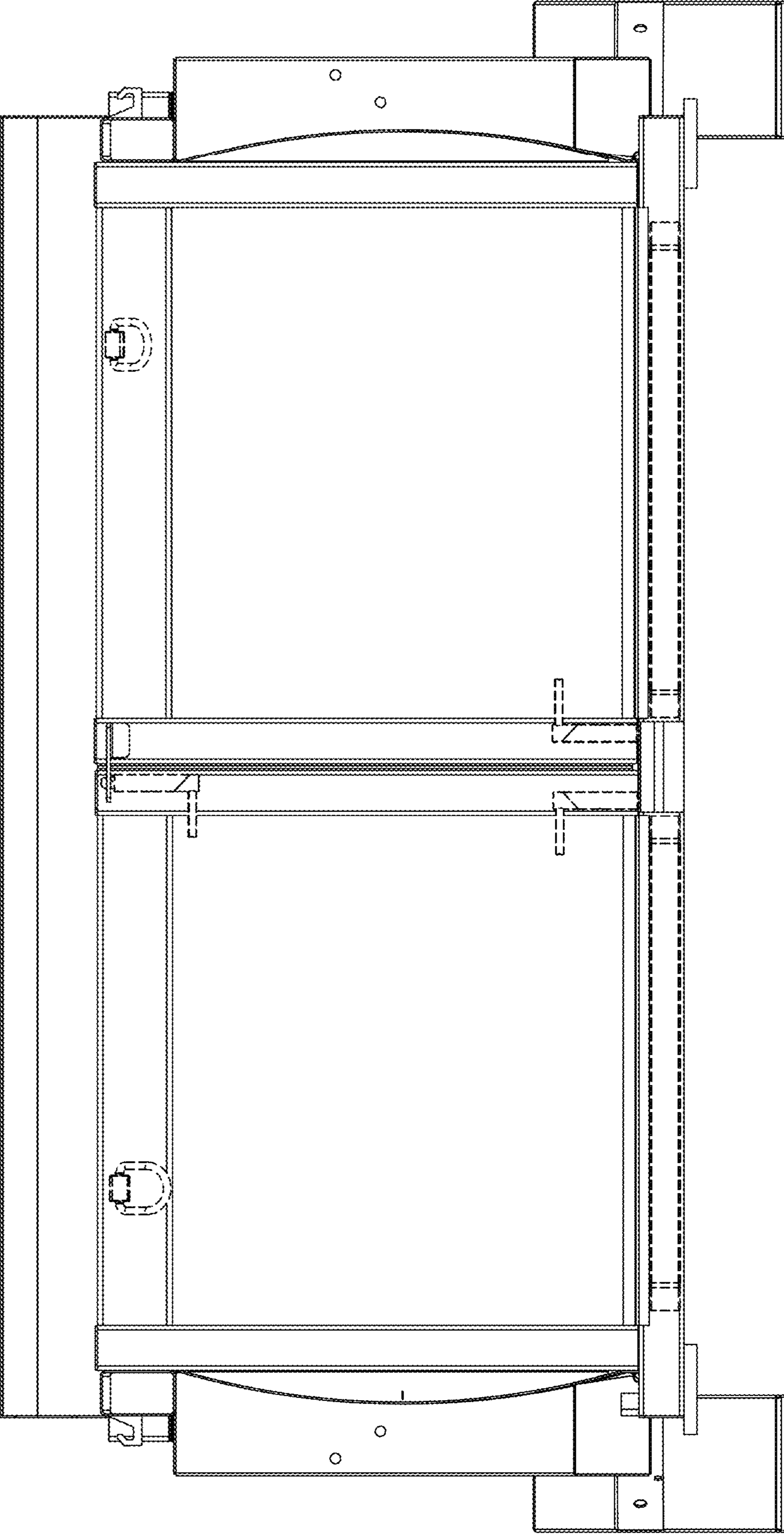


FIG. 14

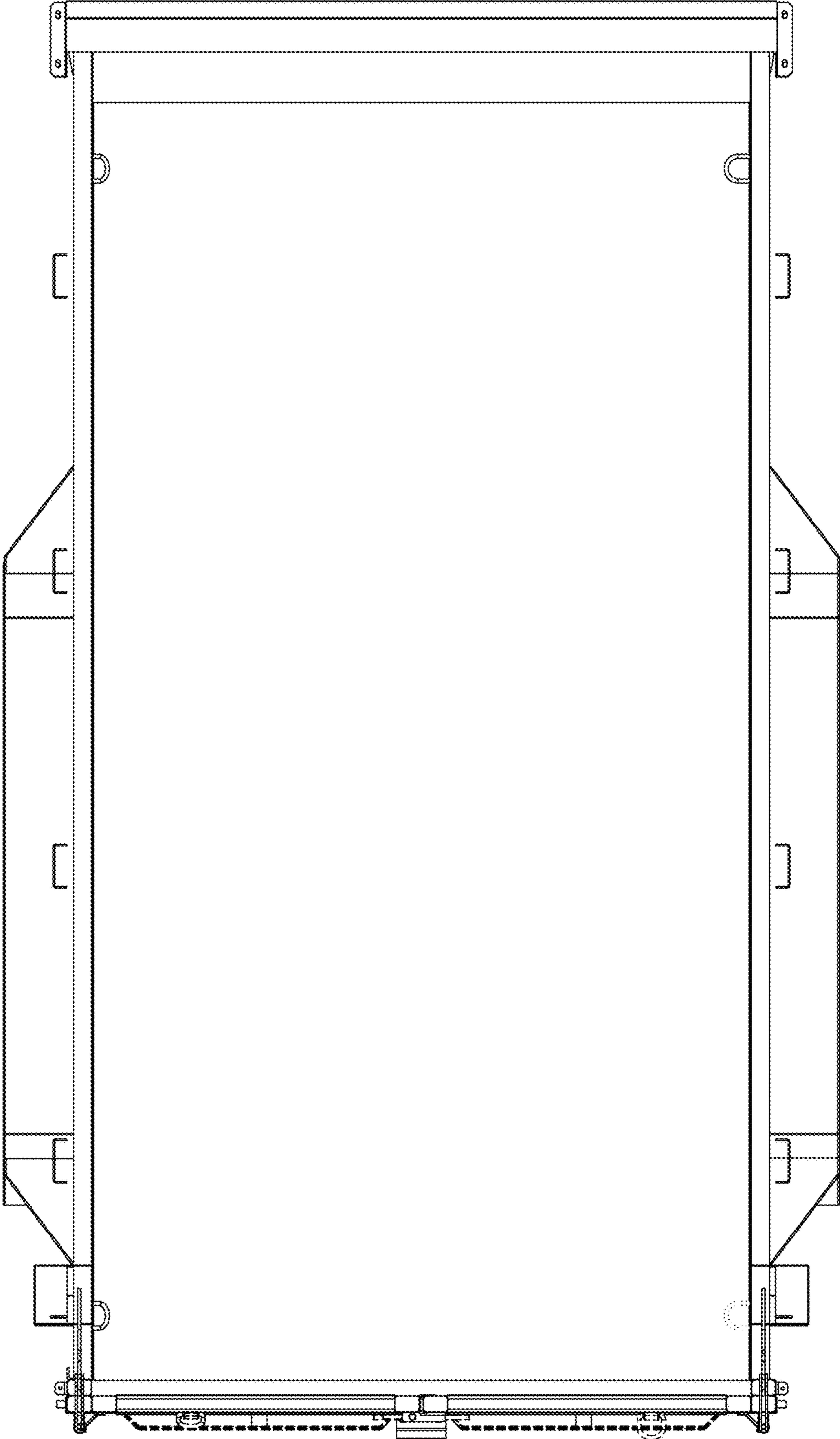


FIG. 15

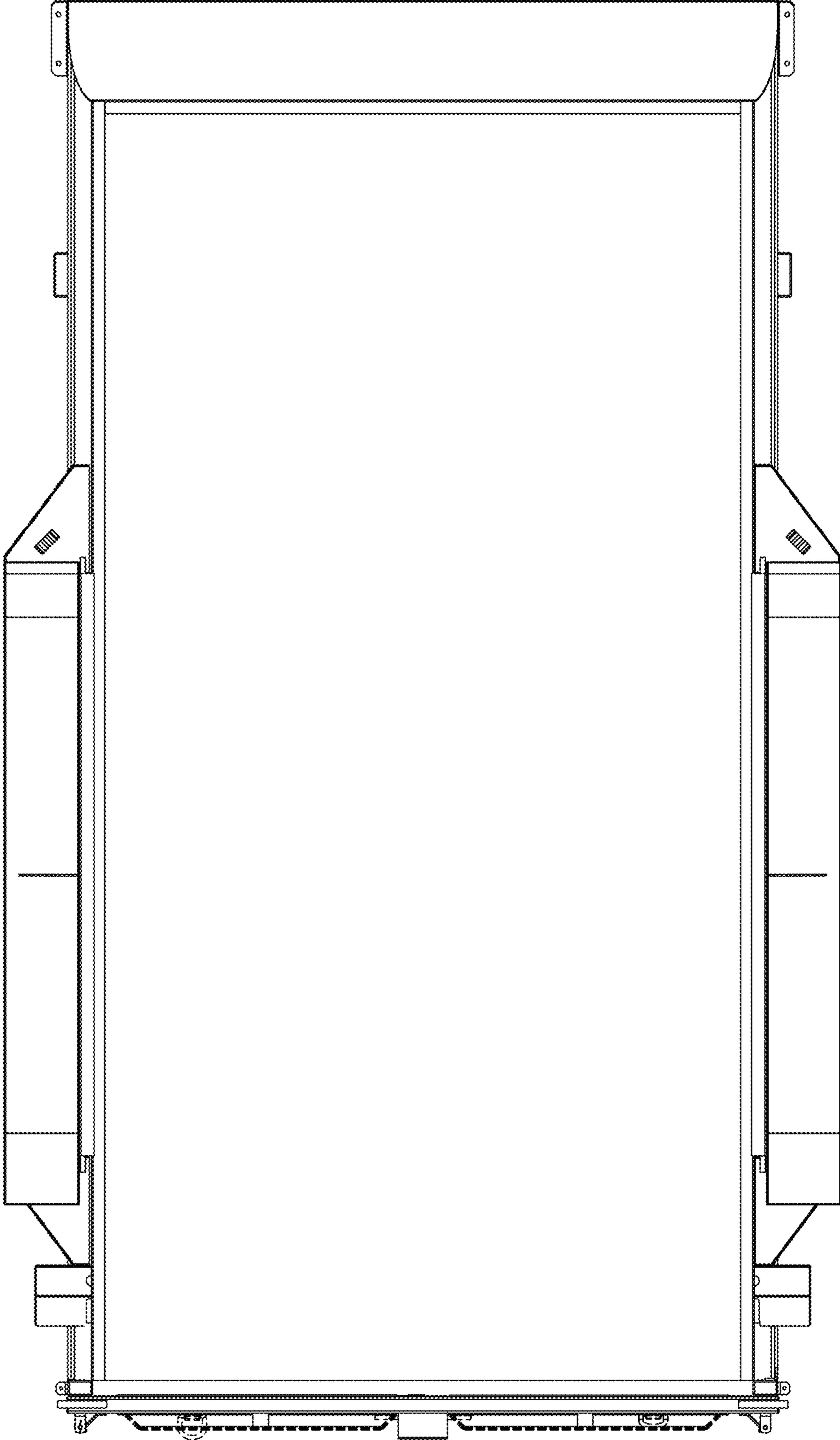


FIG. 16