

US00D969027S

(12) **United States Design Patent** (10) **Patent No.:** **US D969,027 S**
Willing et al. (45) **Date of Patent:** **** Nov. 8, 2022**

(54) **MOTOR VEHICLE, TOY REPLICA, AND/OR OTHER REPLICA**

(56) **References Cited**

U.S. PATENT DOCUMENTS

(71) Applicant: **Ford Global Technologies, LLC**,
Dearborn, MI (US)
(72) Inventors: **Todd Willing**, Grosse Pointe, MI (US);
Max Wolff, Elsternwick (AU); **Max Tran**,
Pascoe Vale (AU); **Leigh H. Cosentino**,
Campbellfield (AU); **Tae Hoon Kang**,
Essendon (AU); **Lee P. Imrie**, Bundoora
(AU); **Nick D. Eterovic**, Brunswick West (AU);
Andrew Beard, Glenaroua (AU)
(73) Assignee: **Ford Global Technologies, LLC**,
Dearborn, MI (US)

D763,738 S *	8/2016	Dewitt	D12/98
D775,551 S *	1/2017	Platto	D12/98
D809,428 S *	2/2018	Platto	D12/98
D809,429 S *	2/2018	Platto	D12/98
D811,274 S *	2/2018	Platto	D12/98
D828,227 S *	9/2018	Ninov	D12/98
D869,991 S *	12/2019	Dewitt	D12/98
D869,992 S *	12/2019	Dewitt	D12/98
D896,129 S *	9/2020	Platto	D12/98
D899,313 S *	10/2020	Dewitt	D12/98
D899,314 S *	10/2020	Dewitt	D12/98
D899,315 S *	10/2020	Dewitt	D12/98
D899,316 S *	10/2020	Dewitt	D12/98
D899,317 S *	10/2020	Dewitt	D12/98
D899,318 S *	10/2020	Dewitt	D12/98
D899,319 S *	10/2020	Dewitt	D12/98
D899,973 S *	10/2020	Dewitt	D12/98
D907,533 S *	1/2021	Dewitt	D12/98

(Continued)

Primary Examiner — Melody N Brown

(74) *Attorney, Agent, or Firm* — Michael Spenner

(**) Term: **15 Years**
(21) Appl. No.: **29/816,157**
(22) Filed: **Nov. 19, 2021**

(57) **CLAIM**

The ornamental design for a motor vehicle, toy replica, and/or other replica, as shown and described.

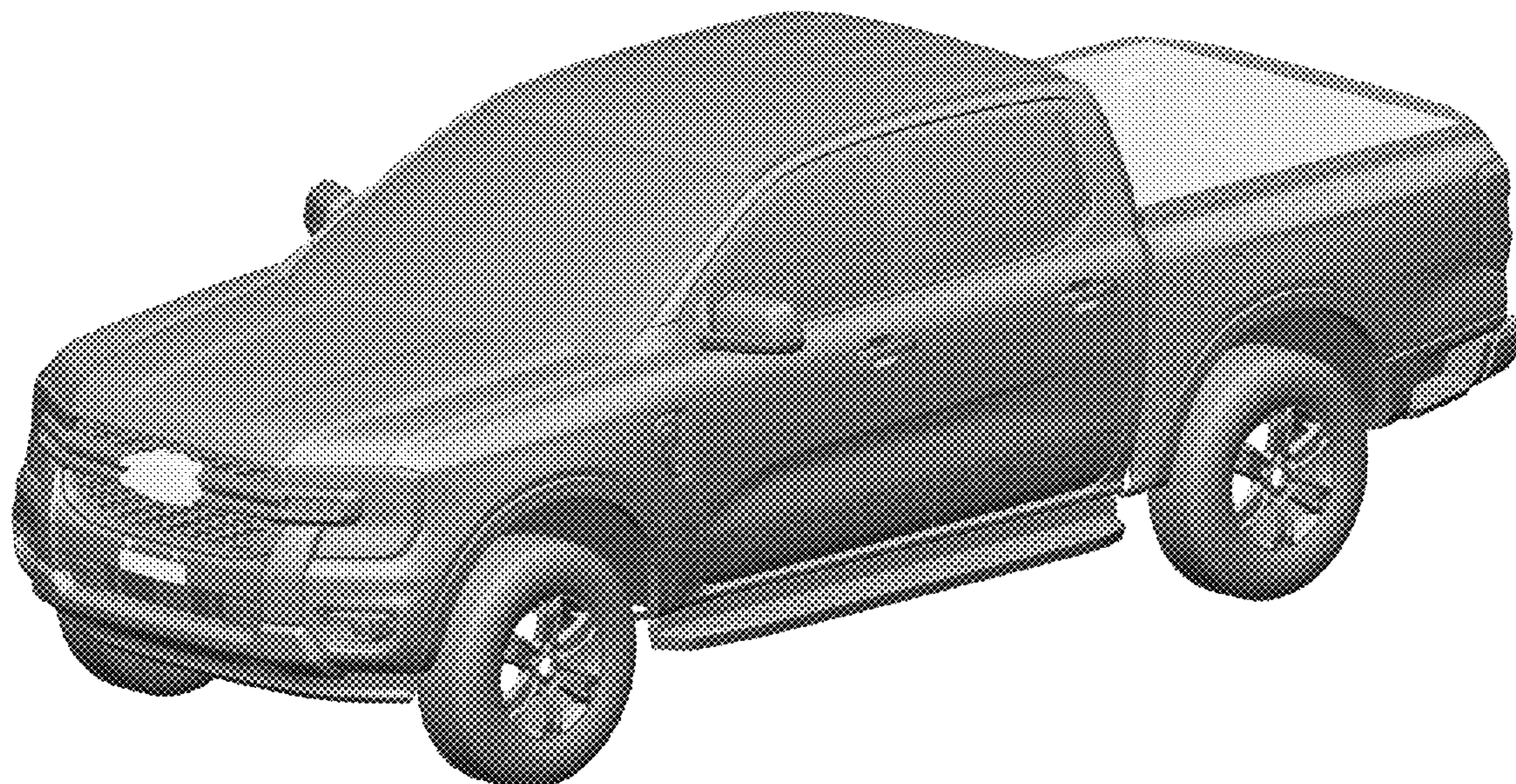
DESCRIPTION

FIG. 1 is a front elevational view of a motor vehicle, toy replica, and/or other replica showing our new design; FIG. 2 is a rear elevational view thereof; FIG. 3 is a left side elevational view thereof; FIG. 4 is a right side elevational view thereof; FIG. 5 is a top plan view thereof; FIG. 6 is a top, front, and left side perspective view thereof; and, FIG. 7 is a top, rear, and left side perspective view thereof. The claimed design is indicated by the relatively dark portions in the figures. The de-emphasized and relatively light portions form no part of the claimed design.

Related U.S. Application Data

(63) Continuation-in-part of application No. 29/794,374, filed on Jun. 11, 2021.
(51) **LOC (13) Cl.** **12-08**
(52) **U.S. Cl.**
USPC **D12/98**
(58) **Field of Classification Search**
USPC D12/86, 90-92, 164, 98; D21/424, 433,
D21/434, 533; 296/181.1, 181.5, 181.3,
296/183.1, 37.6
CPC B60R 9/06; B62D 35/00
See application file for complete search history.

1 Claim, 7 Drawing Sheets



(56)

References Cited

U.S. PATENT DOCUMENTS

D908,539	S	*	1/2021	Dewitt	D12/98
D912,580	S	*	3/2021	Dewitt	D12/98
D913,163	S	*	3/2021	Kaoud	D12/98
D929,261	S	*	8/2021	Kaoud	D12/98
D929,262	S	*	8/2021	Kaoud	D12/98
D929,263	S	*	8/2021	Kaoud	D12/98

* cited by examiner

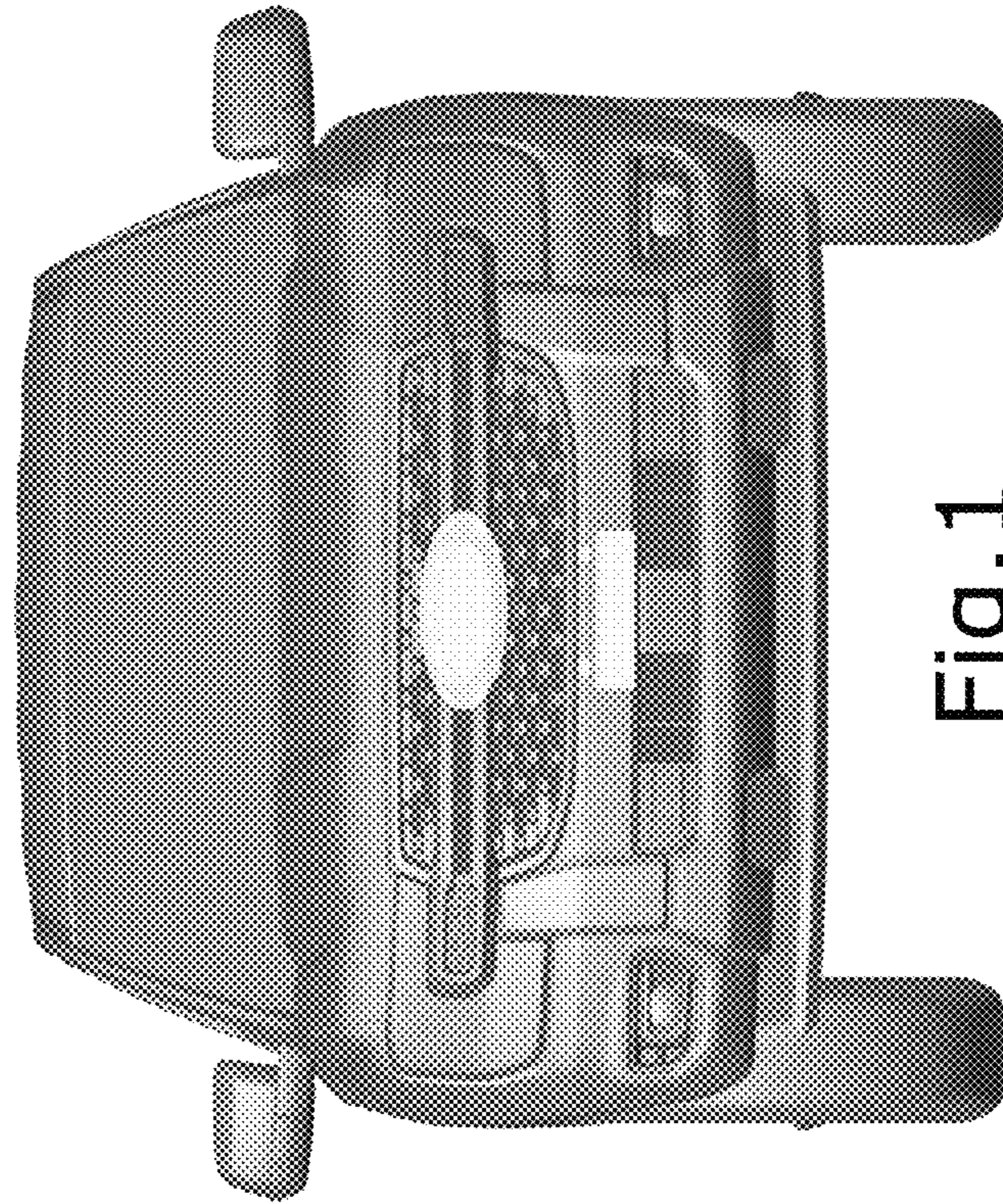


Fig.1

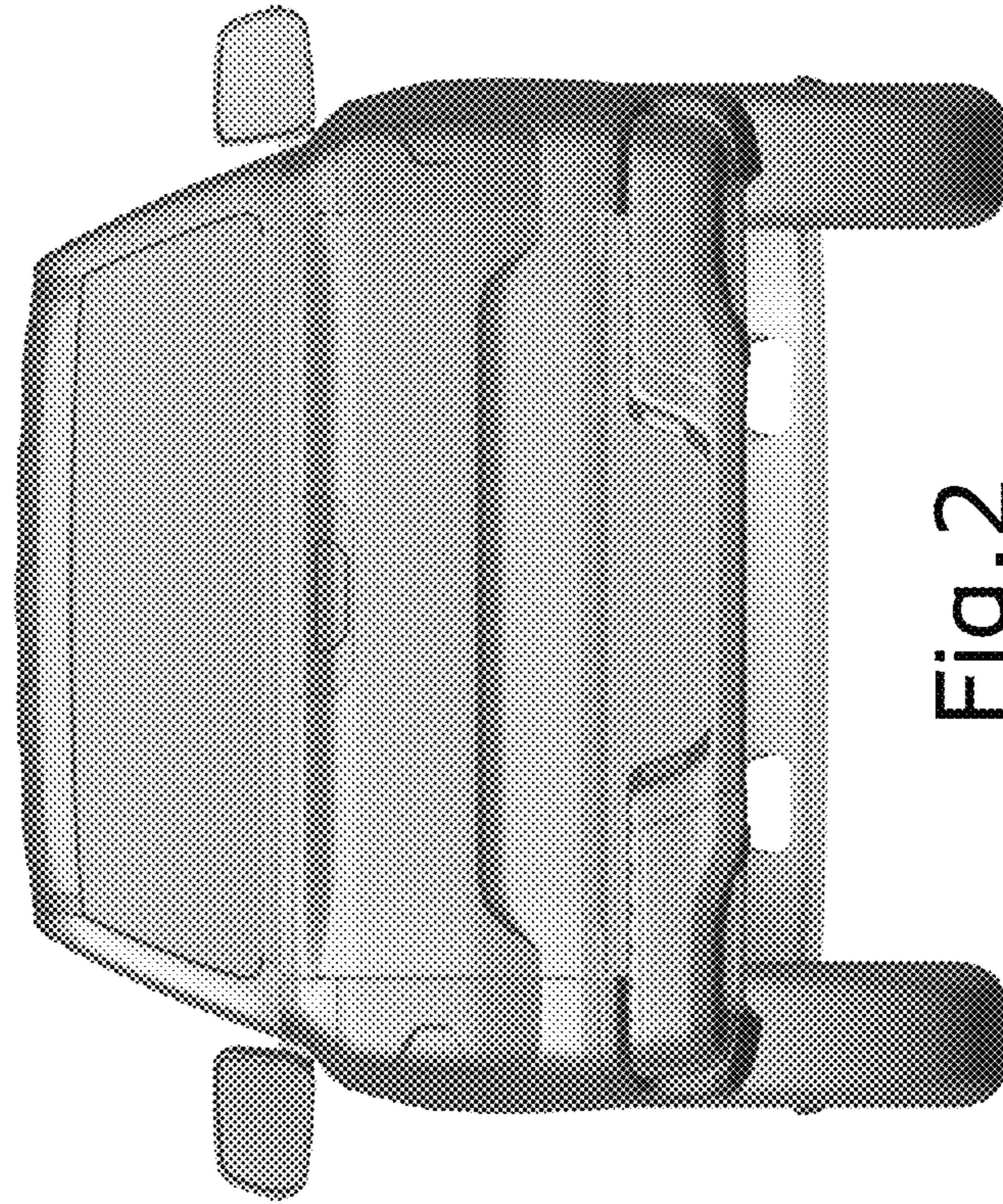


Fig. 2

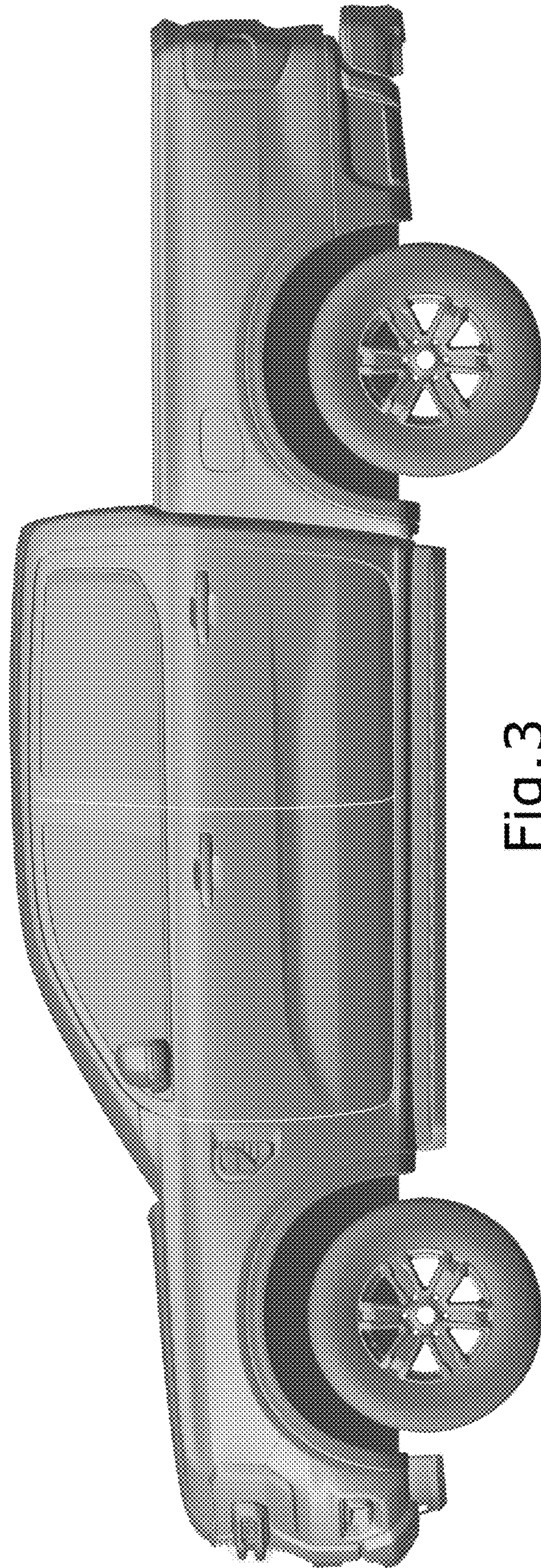


Fig. 3

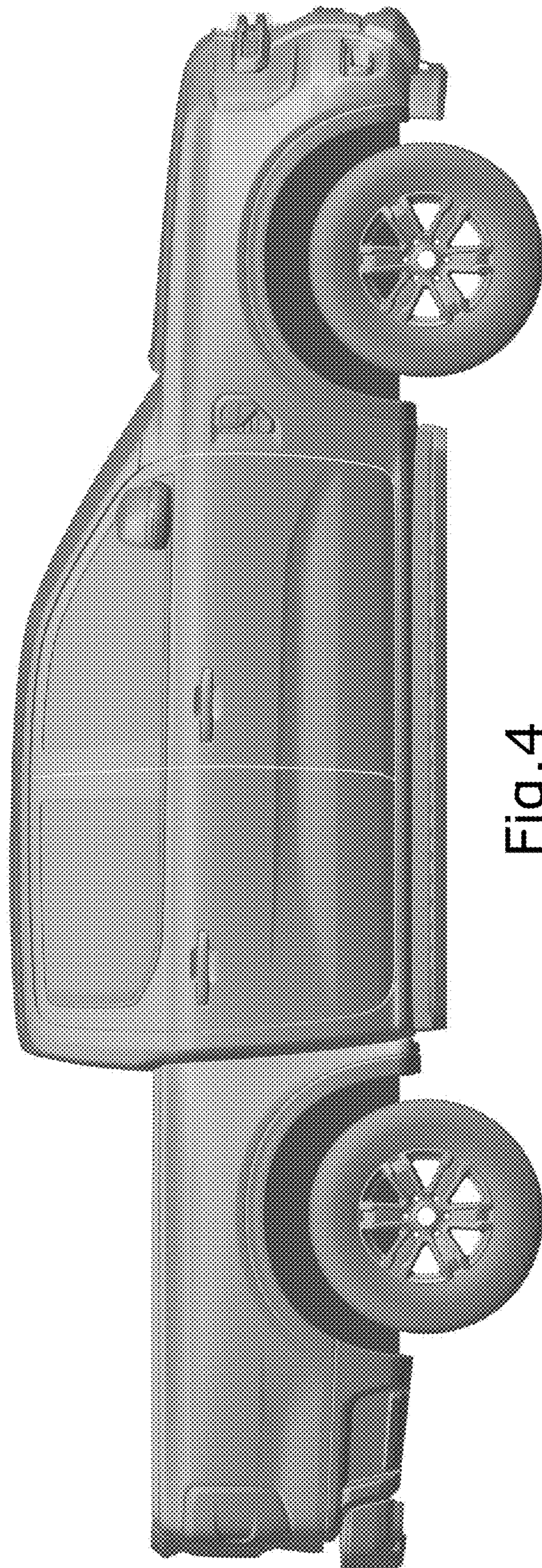


Fig.4

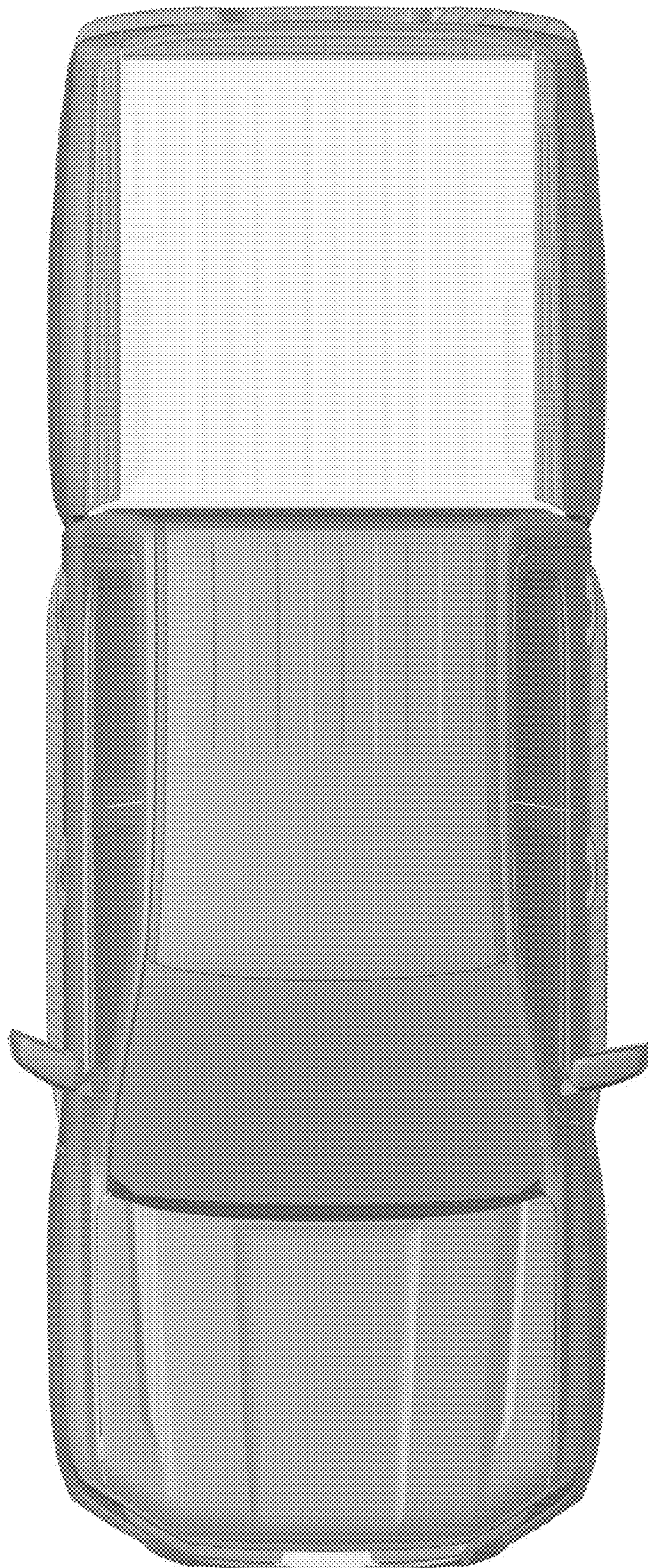


Fig. 5



Fig. 6



Fig. 7