



US00D969025S

(12) **United States Design Patent**
Wraith et al.

(10) **Patent No.:** **US D969,025 S**

(45) **Date of Patent:** **** Nov. 8, 2022**

(54) **MOTOR VEHICLE, TOY REPLICA, AND/OR OTHER REPLICAS**

(71) Applicant: **Ford Global Technologies, LLC**,
Dearborn, MI (US)

(72) Inventors: **Paul Wraith**, West Bloomfield, MI (US); **Ryan A. Olsson**, Farmington Hills, MI (US); **Si Jian Guan**, Southfield, MI (US); **Daniel J. Kangas**, Livonia, MI (US); **Melissa Coolsaet**, Ferndale, MI (US)

(73) Assignee: **Ford Global Technologies, LLC**,
Dearborn, MI (US)

(**) Term: **15 Years**

(21) Appl. No.: **29/758,822**

(22) Filed: **Nov. 18, 2020**

(51) **LOC (13) Cl.** **12-08**

(52) **U.S. Cl.**
USPC **D12/93**

(58) **Field of Classification Search**
USPC ... D12/1, 14, 82, 84, 85, 86, 87, 88, 89, 90,
D12/91, 92, 93, 94, 96, 97, 98, 99, 100;
D21/533, 548, 552, 561
CPC B60Y 2200/10; B60Y 2200/14; B60Y
2200/22; B60Y 2200/41; B60Y 2200/90;
B60Y 2200/91; B60Y 2200/112; B60Y
2200/141; B60Y 2200/142; B60Y
2200/1422; B62D 33/00; B62D 33/06;
B62D 33/077; B62D 33/0604; B62D
33/0612; B62D 29/045; B62D 31/00;
B62D 31/003; B62D 25/00

See application file for complete search history.

(56) **References Cited**

U.S. PATENT DOCUMENTS

D389,438 S * 1/1998 Guichard D12/98
D513,395 S * 1/2006 Pizzuti D12/91

D573,507 S * 7/2008 Moushegian D12/91
D624,851 S * 10/2010 Feng D12/91
D649,088 S * 11/2011 Hu D12/87
D782,935 S * 4/2017 Knox D12/87
D801,860 S * 11/2017 Piscitelli D12/91
D810,626 S * 2/2018 Macey D12/91
D811,266 S * 2/2018 Knox D12/87
D860,866 S * 9/2019 Goodrich D12/91
D913,853 S * 3/2021 Wraith D12/91

(Continued)

OTHER PUBLICATIONS

2021 Ford Bronco, Published Dec. 30, 2020 [online], [retrieved on Jul. 13, 2022]. Retrieved from the Internet: <https://tflcar.com/2020/12/2021-ford-bronco-production-schedule-post/> (Year: 2020).*

Primary Examiner — Cary M Robinson

Assistant Examiner — Adam C Mager

(74) *Attorney, Agent, or Firm* — Michael Spenner

(57) **CLAIM**

The ornamental design for a motor vehicle, toy replica, and/or other replicas, as shown and described.

DESCRIPTION

FIG. 1 is a top, front, and left side perspective view of a motor vehicle, toy replica, and/or other replicas showing our new design;

FIG. 2 is a top, rear, and left side perspective view thereof;

FIG. 3 is a left side elevational view thereof;

FIG. 4 is a right side elevational view thereof;

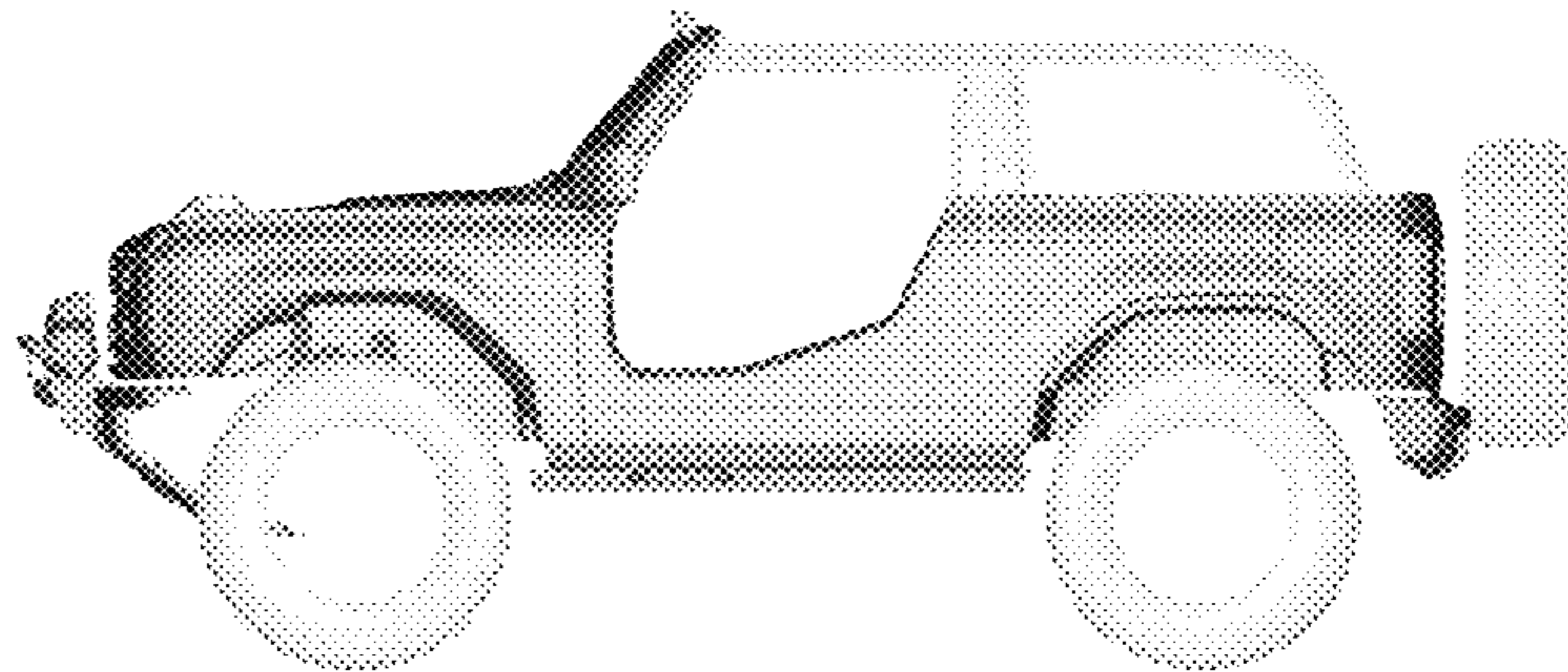
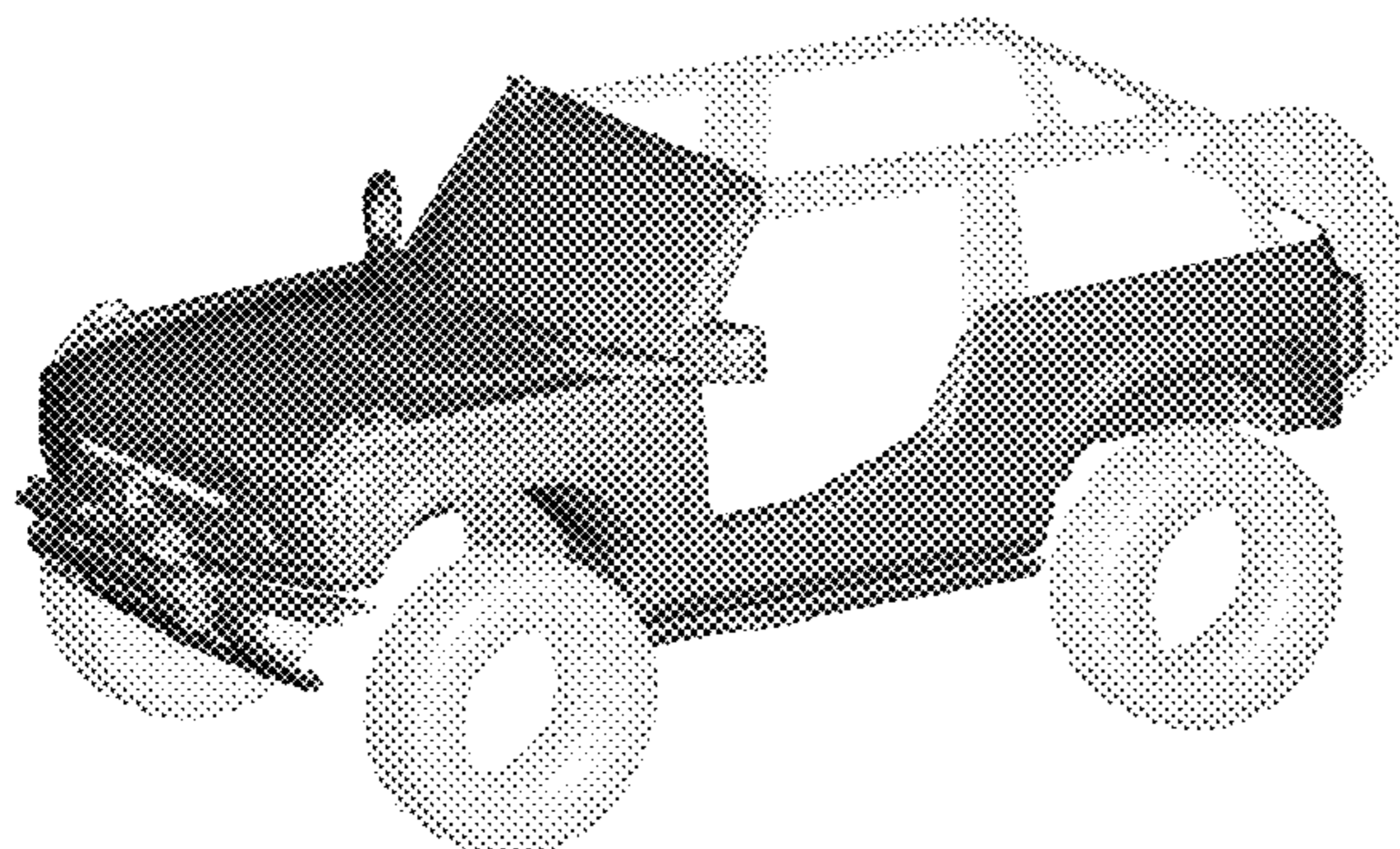
FIG. 5 is a front elevational view thereof.

FIG. 6 is a rear elevational view thereof; and,

FIG. 7 is a top plan view thereof.

The claimed design is indicated by the relatively dark portions in the figures. The de-emphasized and relatively light portions form no part of the claimed design.

1 Claim, 7 Drawing Sheets



(56)

References Cited

U.S. PATENT DOCUMENTS

D938,307 S * 12/2021 Hall D12/87
D944,121 S * 2/2022 Wraith D12/91

* cited by examiner

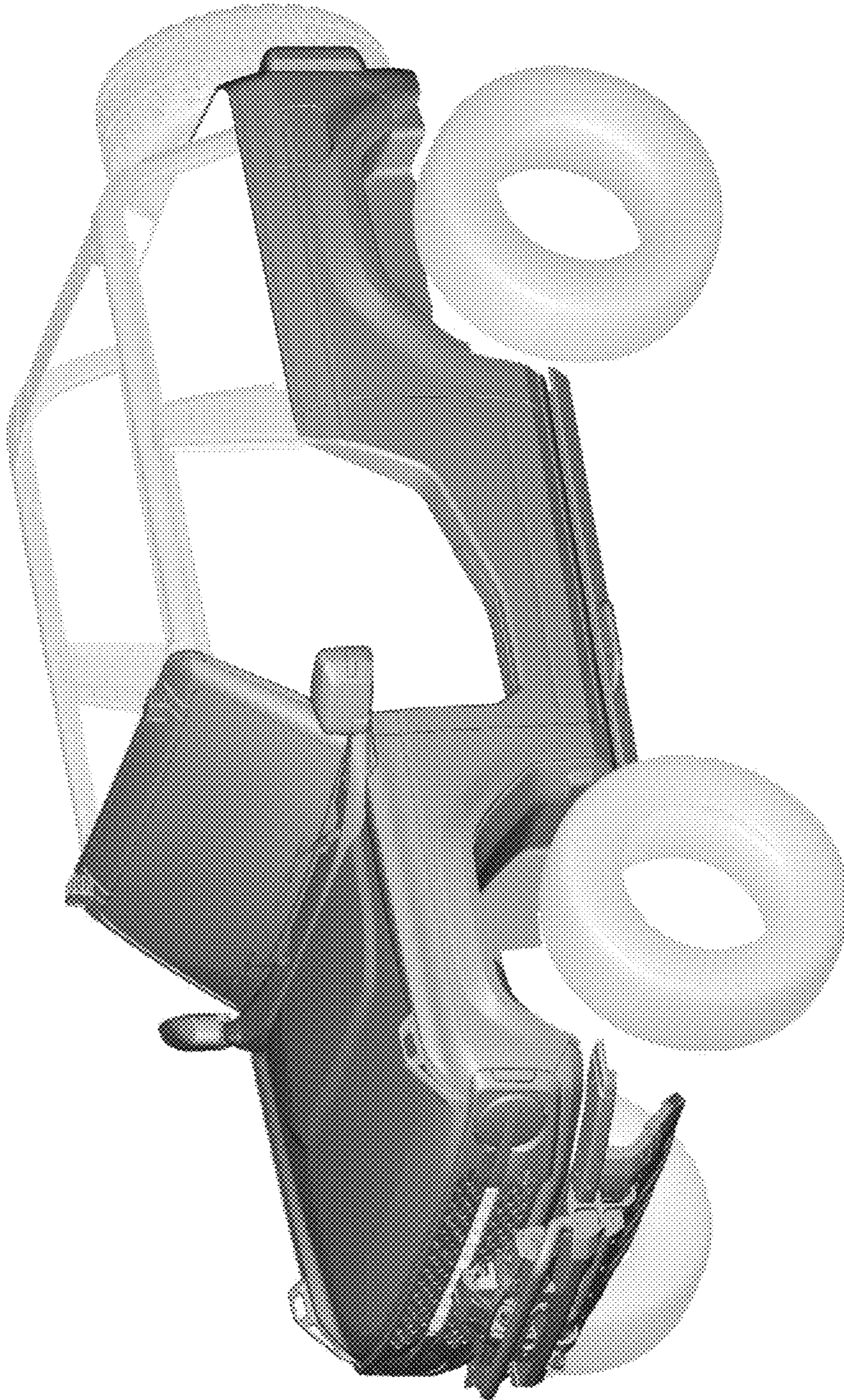


Fig.1

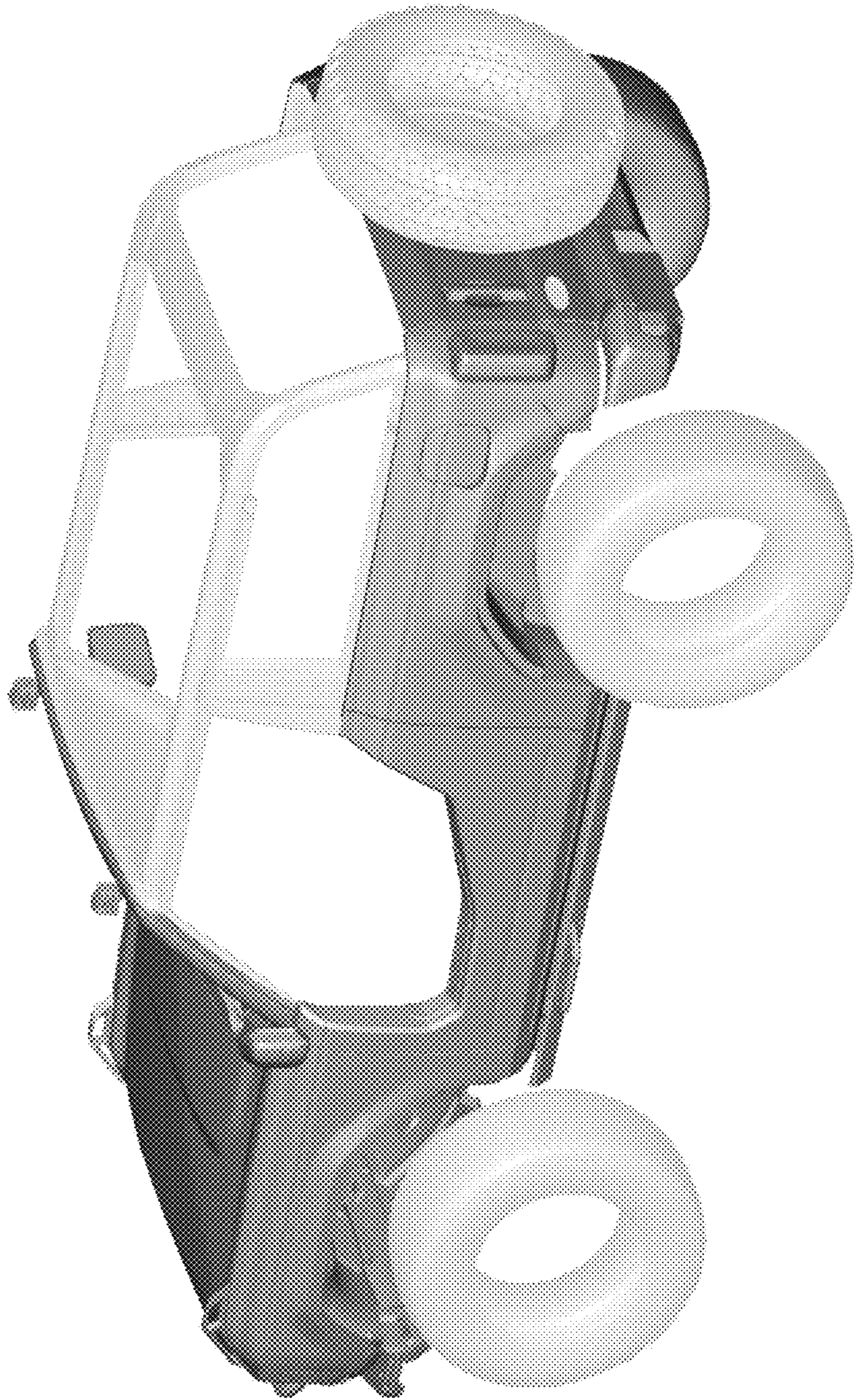


Fig. 2

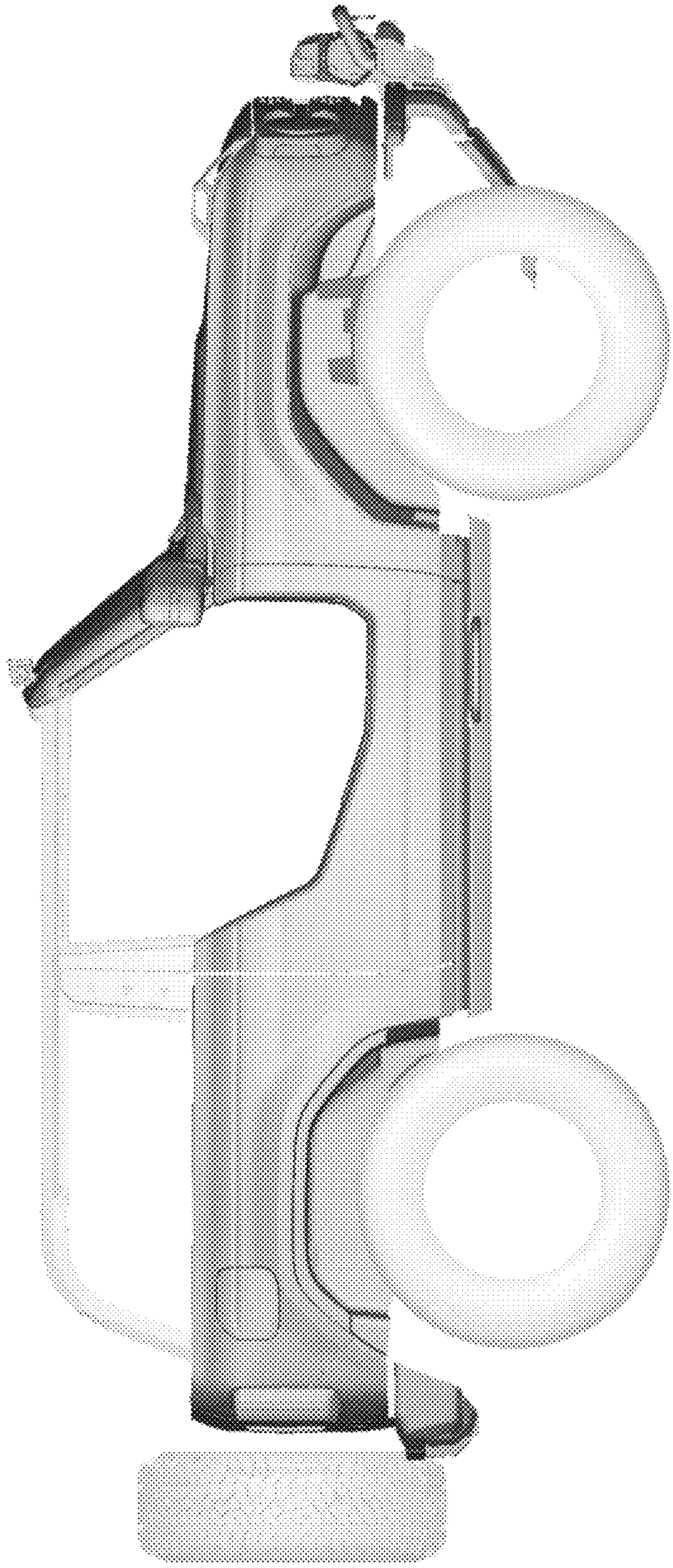


Fig.4

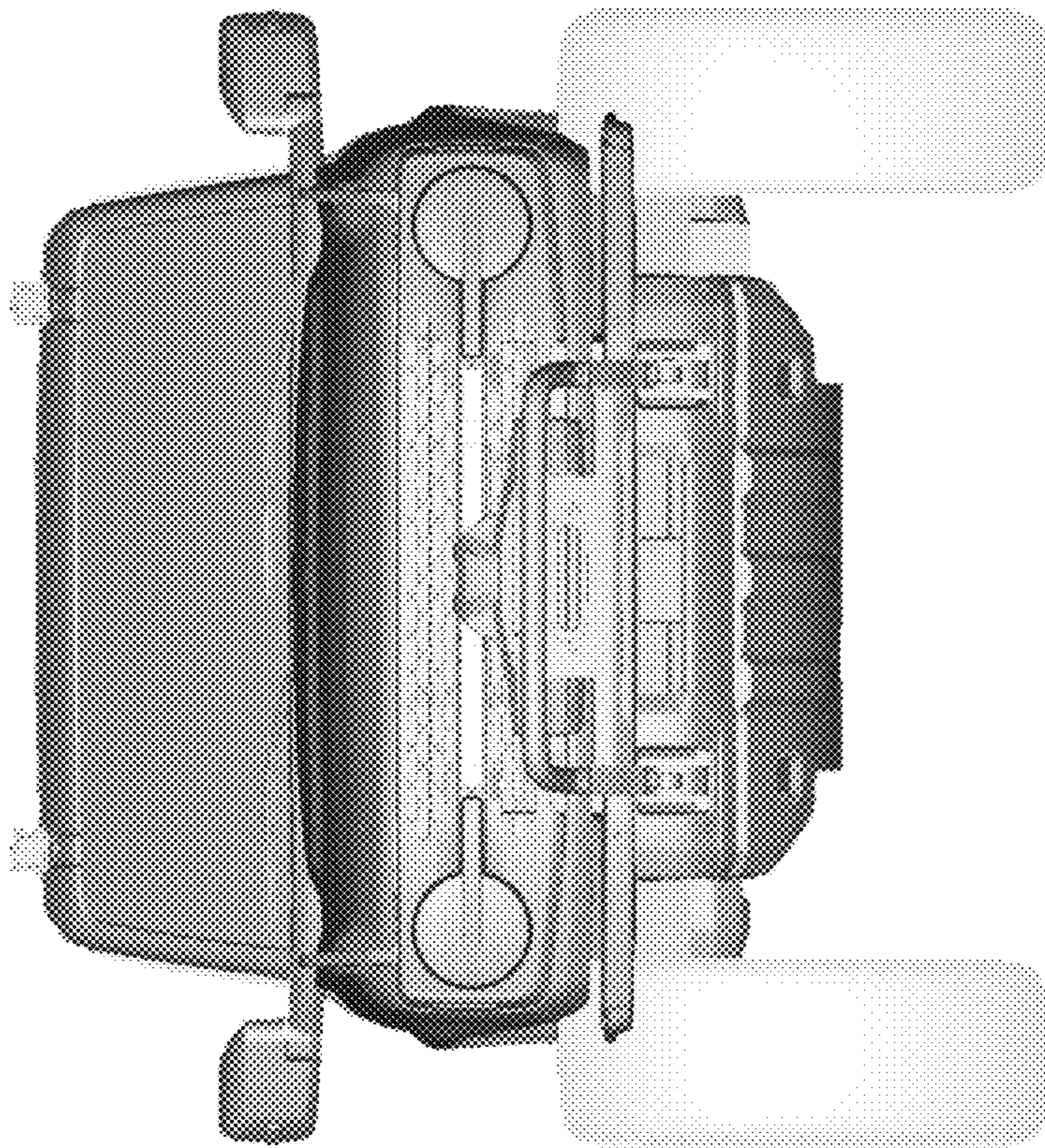


Fig. 5

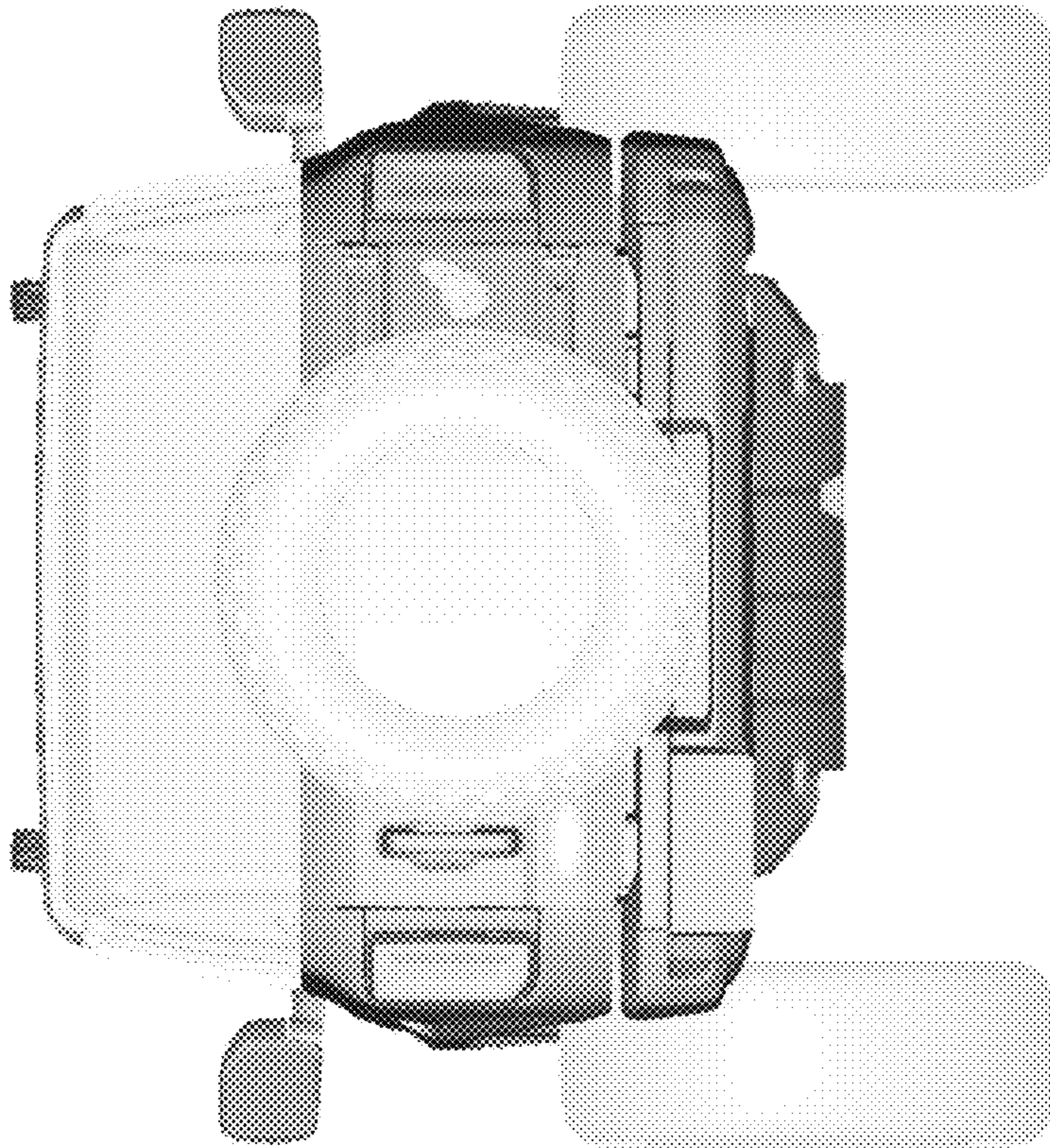


Fig.6

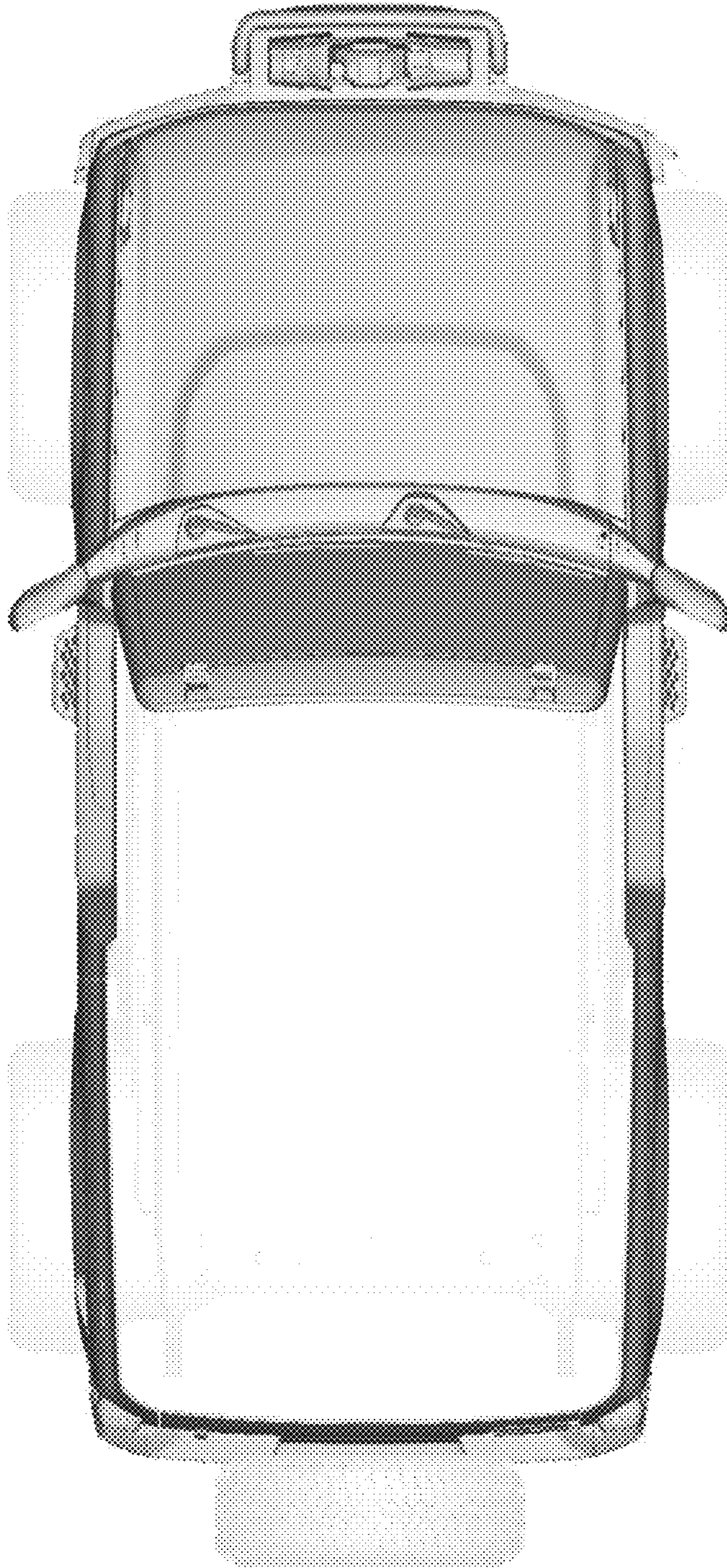


Fig. 7