



US00D969023S

(12) **United States Design Patent** (10) **Patent No.:** **US D969,023 S**
Sterner et al. (45) **Date of Patent:** **** Nov. 8, 2022**

(54) **AUTOMOBILE**
(71) Applicant: **VOLVO CAR CORPORATION**,
Gothenburg (SE)
(72) Inventors: **Örjan Sterner**, Västra Frölunda (SE);
Eric Seunghun Beak, Torslanda (SE)
(73) Assignee: **VOLVO CAR CORPORATION**,
Gothenburg (SE)
(**) Term: **15 Years**

D804,369 S * 12/2017 Akita D12/164
D814,353 S * 4/2018 Kim D12/91
D830,246 S * 10/2018 Yoshimine D12/164
D830,906 S * 10/2018 Yoshimine D12/91
D835,000 S * 12/2018 Tomasson D12/91
D864,025 S * 10/2019 Tomasson D12/91
D872,650 S * 1/2020 Tomasson D12/91
D881,755 S * 4/2020 Tomasson D12/91
D894,047 S * 8/2020 Tomasson D12/91
D906,440 S * 12/2020 Sterner D12/91
D926,081 S * 7/2021 Zvenigorodskyy D12/91
D929,904 S * 9/2021 Noguchi D12/91
D931,144 S * 9/2021 Sterner D12/91

(21) Appl. No.: **29/744,290**
(22) Filed: **Jul. 28, 2020**

FOREIGN PATENT DOCUMENTS

EM 001405690-0001 1/2014

* cited by examiner

(30) **Foreign Application Priority Data**
Feb. 5, 2020 (EM) 007663778-0001

Primary Examiner — Melody N Brown

(74) *Attorney, Agent, or Firm* — Berenato & White, LLC

(51) **LOC (13) Cl.** **12-08**

(57) **CLAIM**

(52) **U.S. Cl.**
USPC **D12/91**

The ornamental design for an automobile, as shown and described.

(58) **Field of Classification Search**
USPC D12/86, 90-92, 88, 164; D21/424, 433,
D21/434, 533; 296/181.1-181.5, 183.1
CPC B62D 25/00; B62D 25/06; B62D 33/00;
B62D 35/00
See application file for complete search history.

DESCRIPTION

FIG. 1 is a front view of an automobile showing our new design;
FIG. 2 is a front and left side perspective view thereof;
FIG. 3 is a rear and left side perspective view thereof;
FIG. 4 is a left side view thereof;
FIG. 5 is a right side view thereof;
FIG. 6 is a rear view thereof; and,
FIG. 7 is a top view thereof.
The broken lines illustrate portions of the automobile that form no part of the claimed design.

(56) **References Cited**
U.S. PATENT DOCUMENTS

D642,494 S * 8/2011 Loeb D12/91
D699,156 S * 2/2014 Perini D12/92
D775,009 S * 12/2016 Baum D12/169
D796,997 S * 9/2017 Varga D12/91
D802,479 S * 11/2017 Sakaue D12/91
D804,357 S * 12/2017 Jeon D12/91

1 Claim, 7 Drawing Sheets

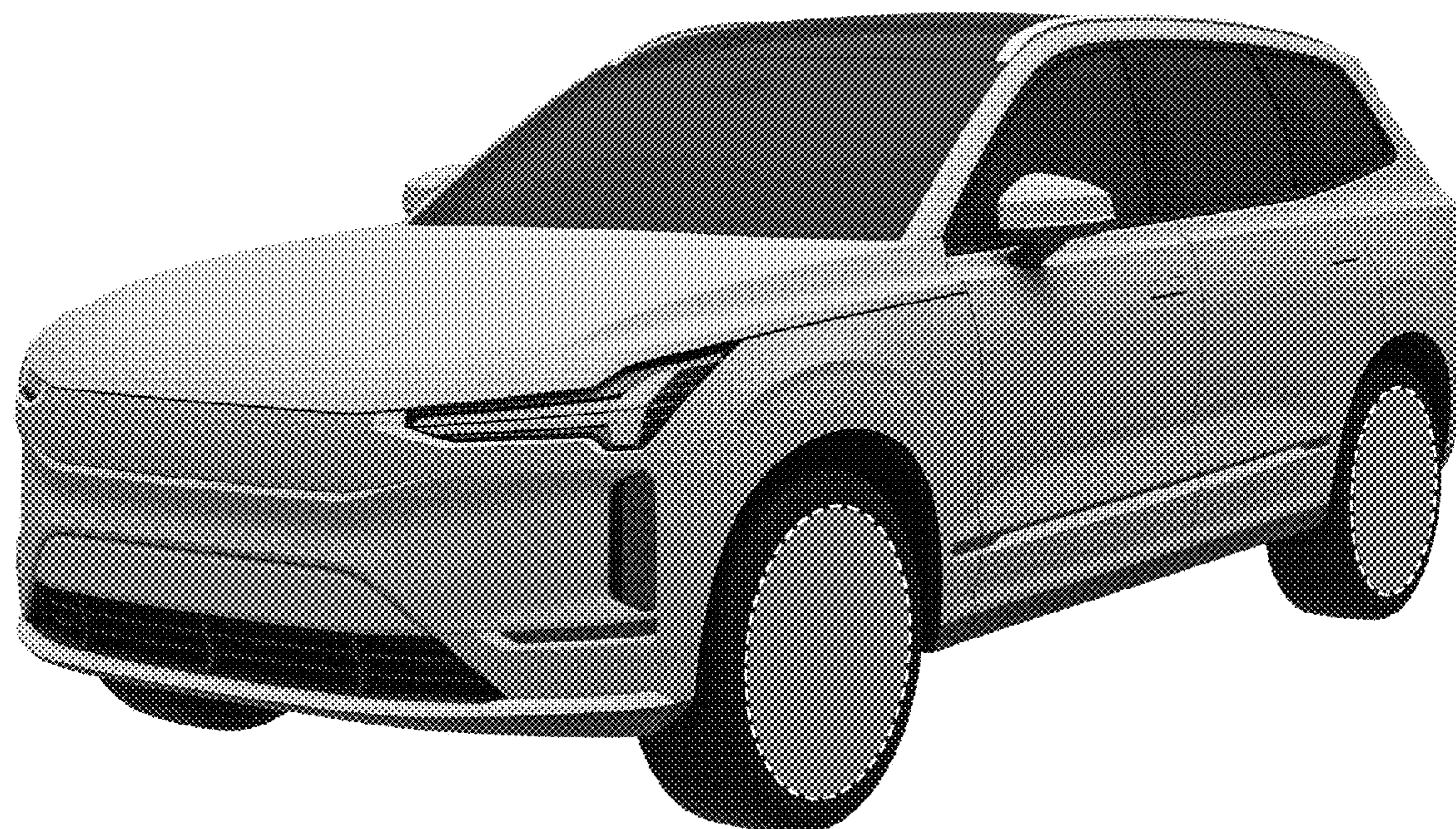


FIG. 1

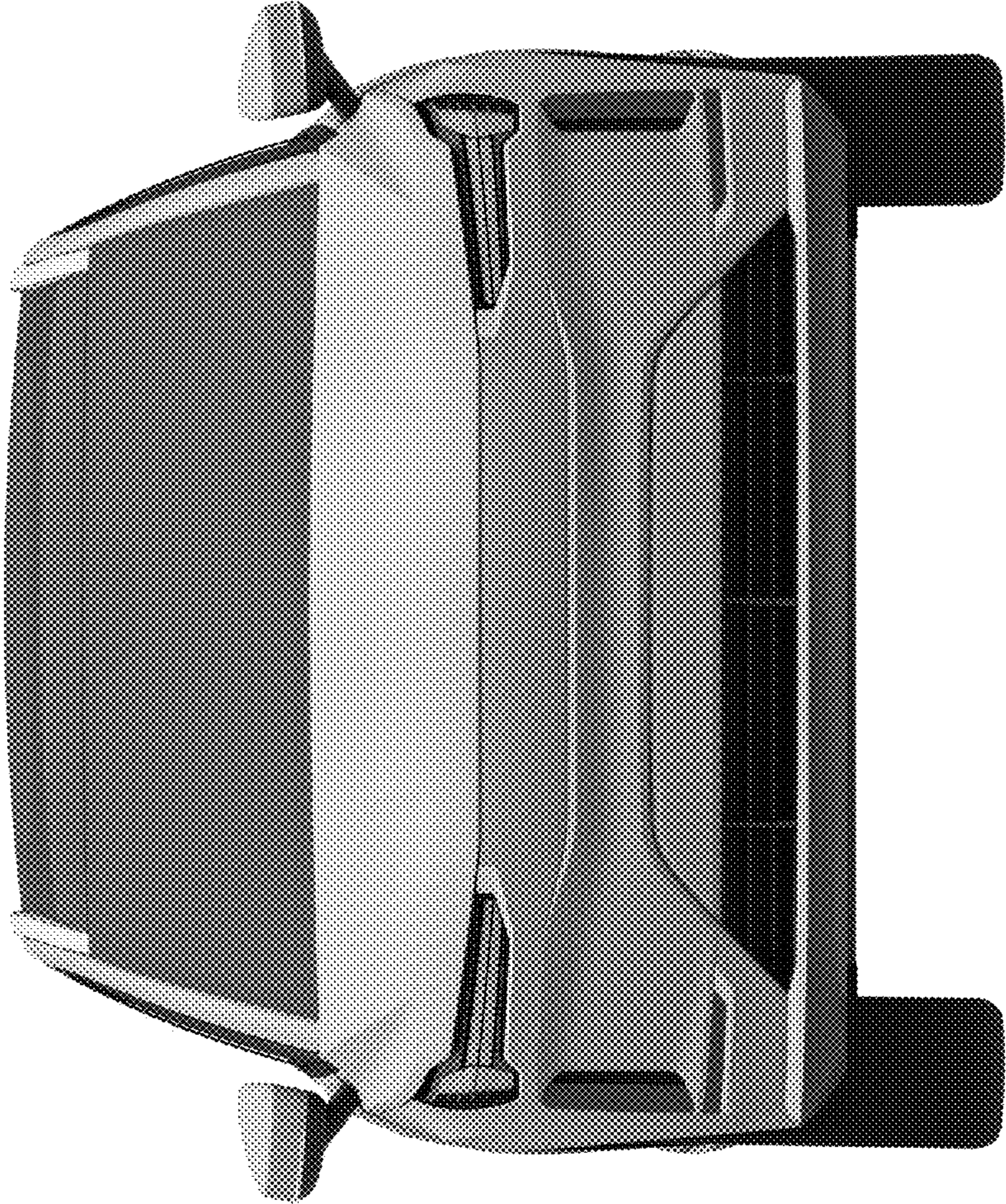


FIG. 2



FIG. 3



FIG. 4

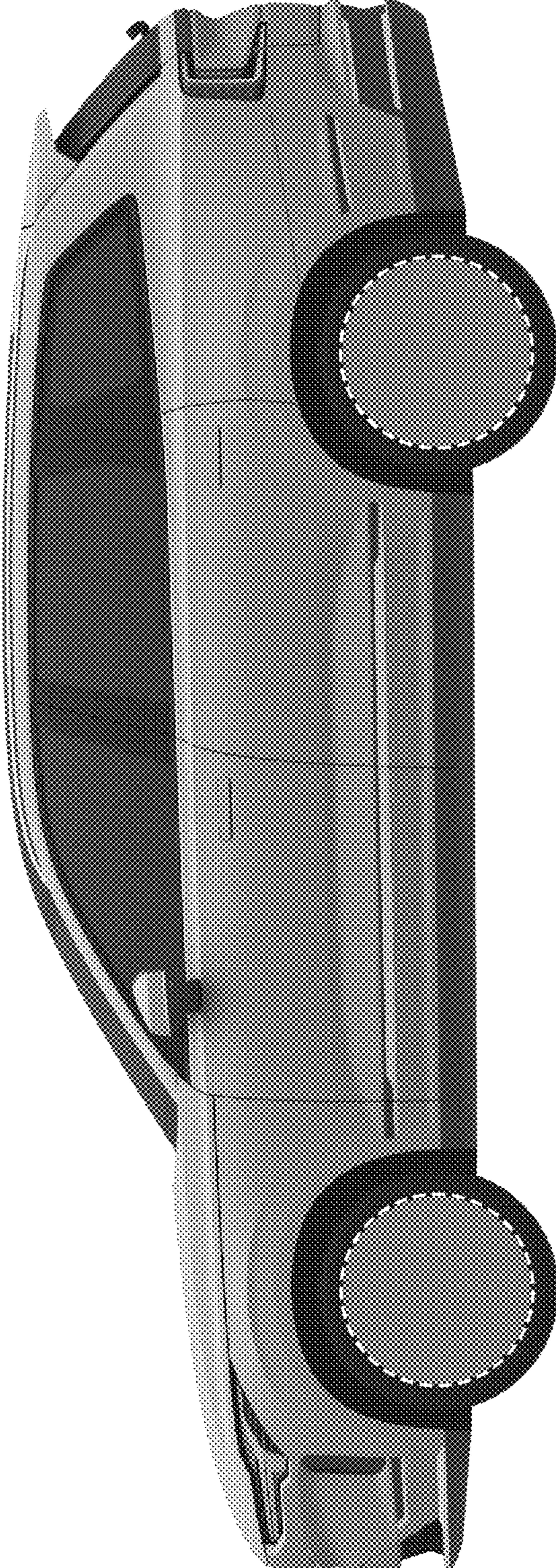


FIG. 5

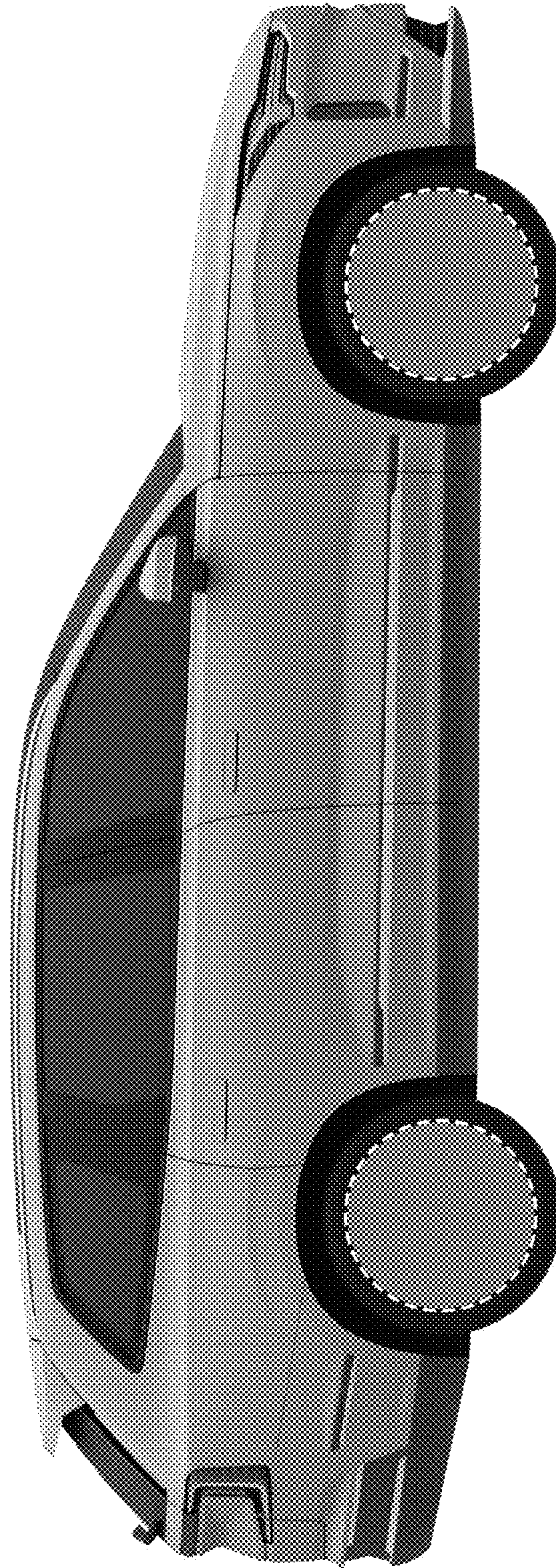


FIG. 6

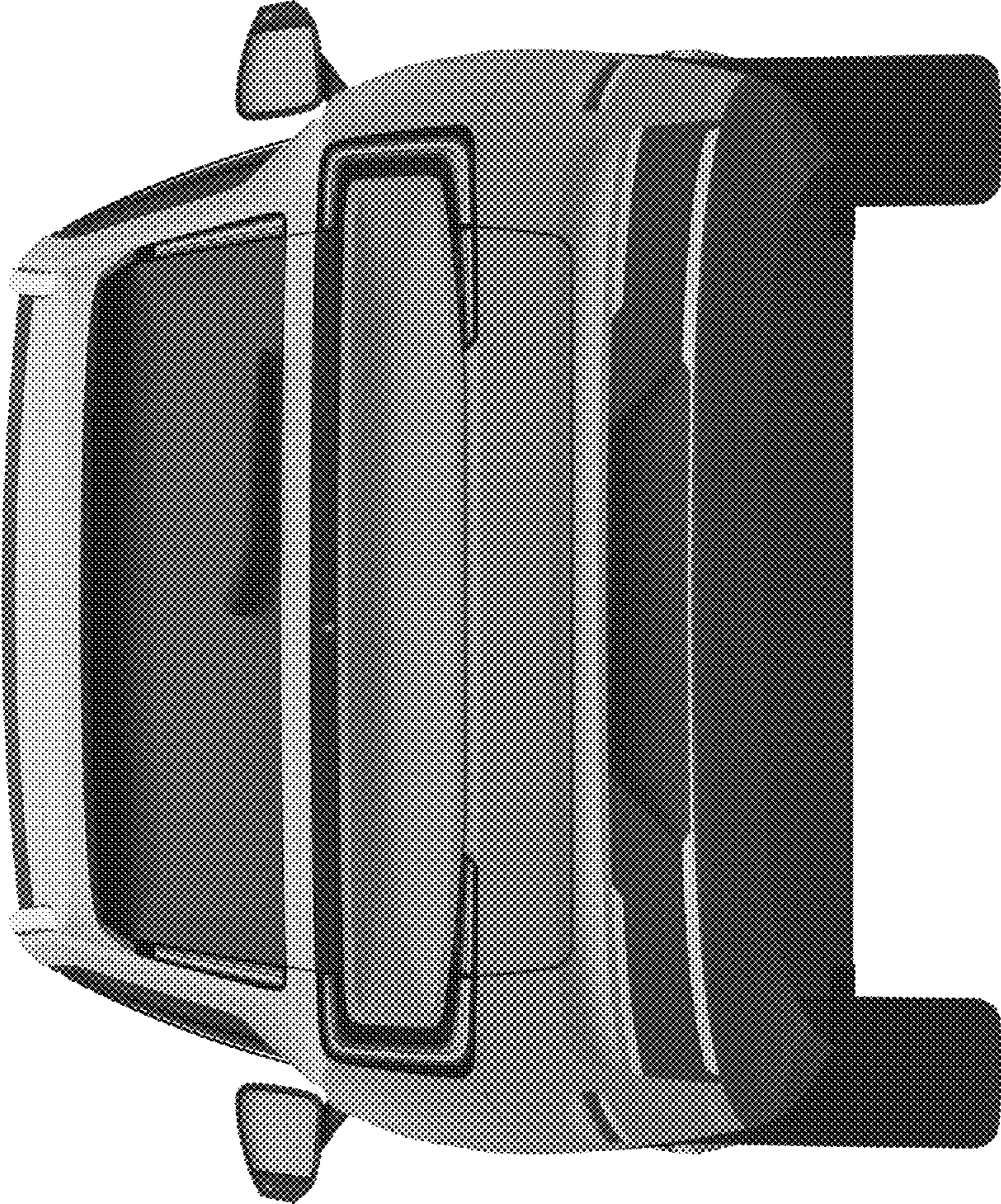


FIG. 7

