

US00D969022S

(12) **United States Design Patent** (10) **Patent No.:** **US D969,022 S**
Wang (45) **Date of Patent:** **** Nov. 8, 2022**

(54) **FLAG POLE BRACKET**

(71) Applicant: **Shuyun Wang**, Yichun (CN)

(72) Inventor: **Shuyun Wang**, Yichun (CN)

(**) Term: **15 Years**

(21) Appl. No.: **29/755,661**

(22) Filed: **Oct. 22, 2020**

(51) **LOC (13) Cl.** **11-05**

(52) **U.S. Cl.**
USPC **D11/182**

(58) **Field of Classification Search**
USPC D5/41; D11/133, 165-184; D14/489;
D20/16, 17, 21, 28, 41-43
CPC G09F 13/0431; G09F 15/0018; G09F
15/0037; G09F 17/00; G09F 21/02; G09F
21/04; G09F 2017/005; G09F 2017/0008;
G09F 2017/0033; G09F 2017/0041; G09F
2017/0066; G09F 2017/0075

See application file for complete search history.

(56) **References Cited**

U.S. PATENT DOCUMENTS

- 3,162,407 A * 12/1964 Yax H01Q 1/1221
248/514
- 5,588,630 A * 12/1996 Chen-Chao F16C 11/10
248/514
- 7,063,648 B1 * 6/2006 Brigham A63B 6/00
248/910
- 10,056,017 B2 * 8/2018 Butler, III B25J 1/04
- 2006/0019803 A1 * 1/2006 Giaquinta A63B 69/34
482/83
- 2006/0102822 A1 * 5/2006 Liang F16C 11/045
248/514
- 2017/0046989 A1 * 2/2017 Butler, III G09F 17/00
- 2021/0005119 A1 * 1/2021 Roy G09F 17/0091

OTHER PUBLICATIONS

White Bracket, reviewed on Jul. 16, 2013 on amazon.com, retrieved from the internet on Jul. 12, 2022. <URL:https://www.amazon.com/Online-Stores-Adjustable-Alum-Bracket/dp/B0014SKUN4/ref=sr_1_1> (Year: 2013).*

Lometry, published on Sep. 28, 2020 on amazon.com, retrieved from the internet on Jul. 12, 2022. <URL: https://www.amazon.com/LOMETY-Stainless-Multi-Position-Multi-Angle-Adjustment/dp/B08DK5DQHF/ref=asc_df_B08DK5DQHF/> (Year: 2020).*

Octagon Outrigger, no publish date on theflagpolecompany.com, retrieved from the internet on Jul. 13, 2022. <URL:https://www.theflagpolecompany.com/12co1pibouf11.html> (Year: 2022).*

* cited by examiner

Primary Examiner — Joseph Kukella
Assistant Examiner — Heather Ann Laaveg Wencil
(74) *Attorney, Agent, or Firm* — Jeenam Park

(57) **CLAIM**

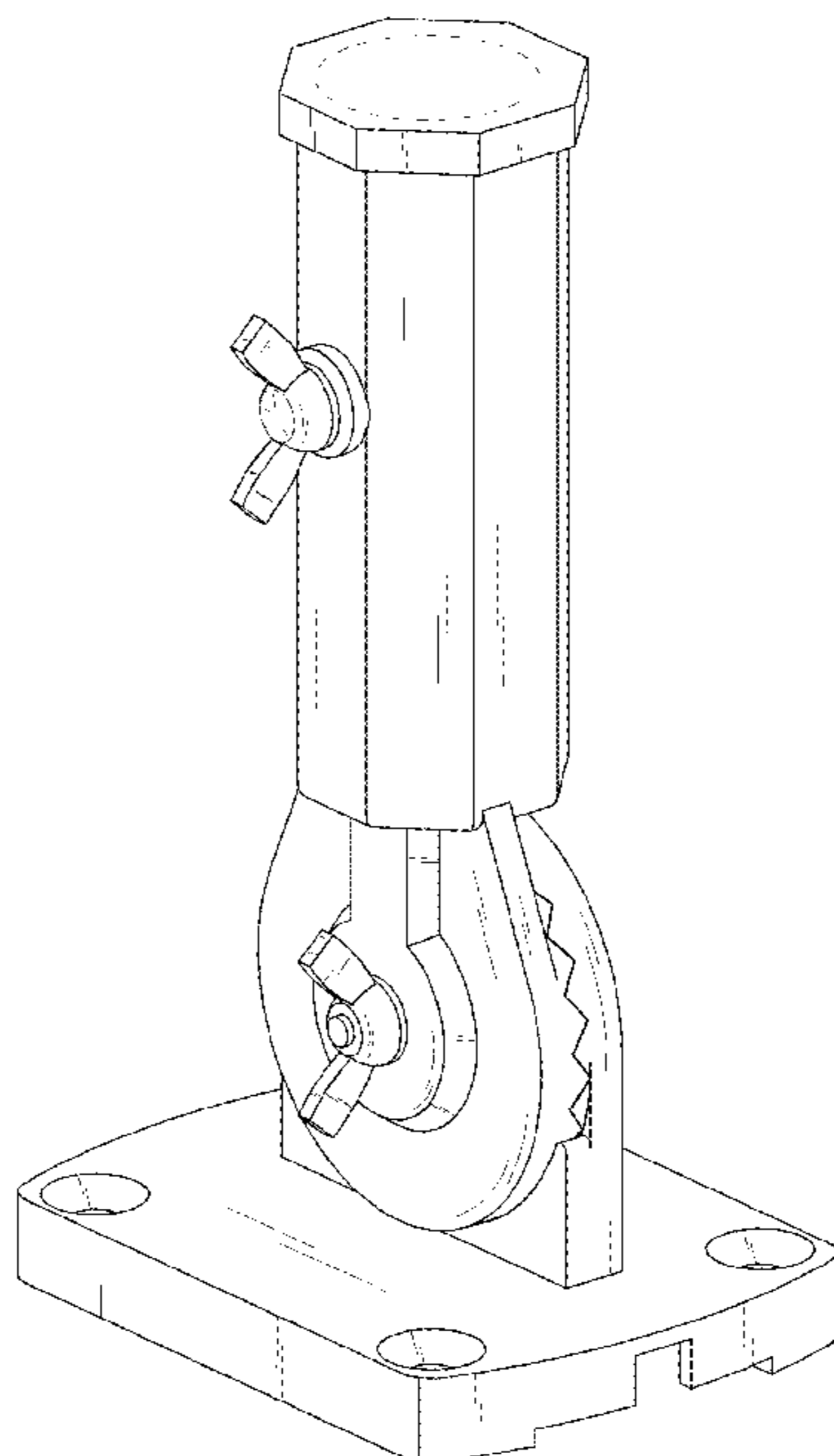
The ornamental design for a flag pole bracket, as shown and described.

DESCRIPTION

FIG. 1 is a perspective view of a flag pole bracket showing my new design;
FIG. 2 is a top view thereof;
FIG. 3 is a left view thereof;
FIG. 4 is a front side view thereof;
FIG. 5 is a right side view thereof;
FIG. 6 is a back view thereof; and,
FIG. 7 is a bottom view thereof.

The broken lines shown in the drawings depict portions of the flag pole bracket in which the design is embodied that form no part of the claimed design.

1 Claim, 7 Drawing Sheets



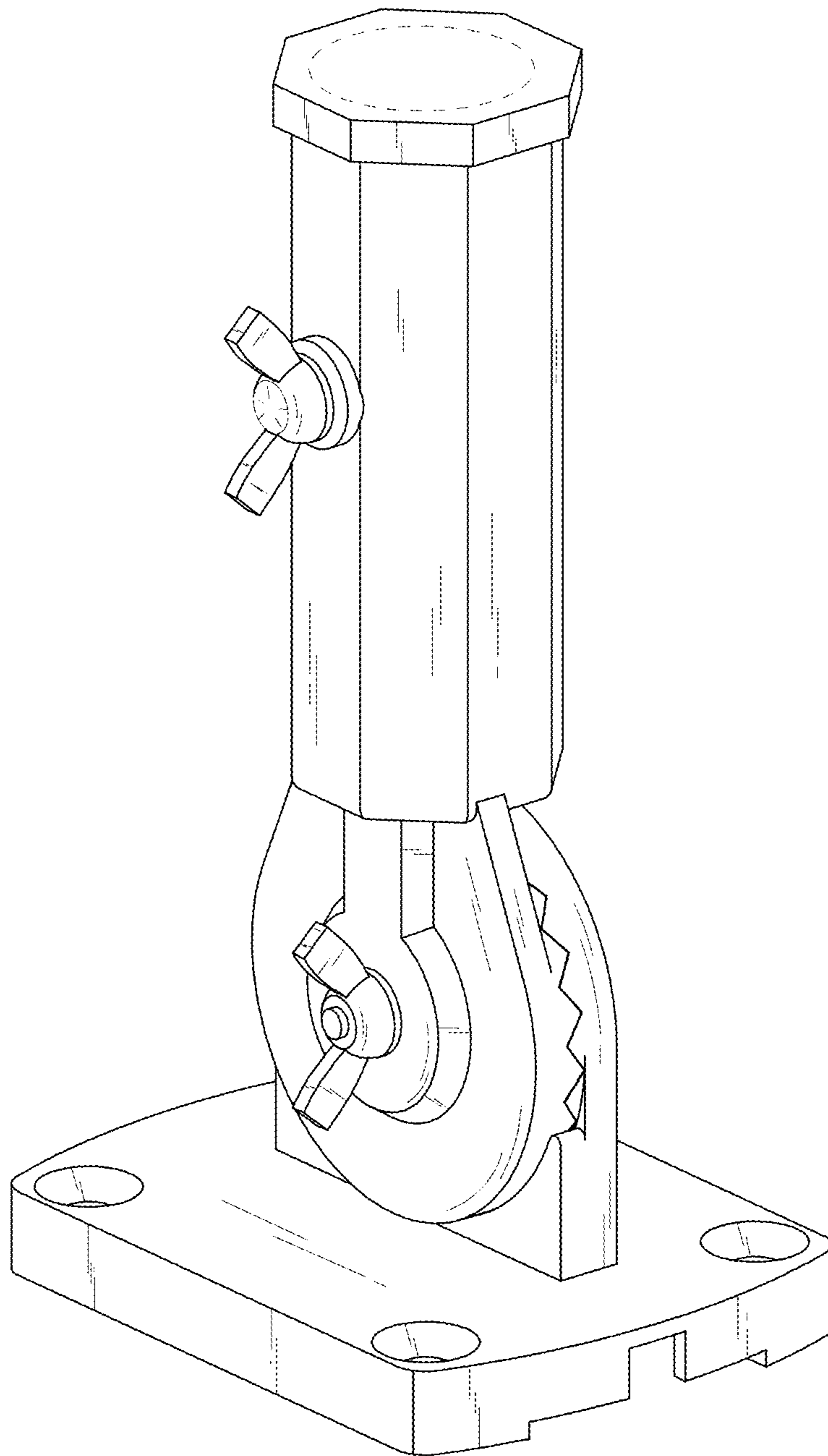


FIG. 1

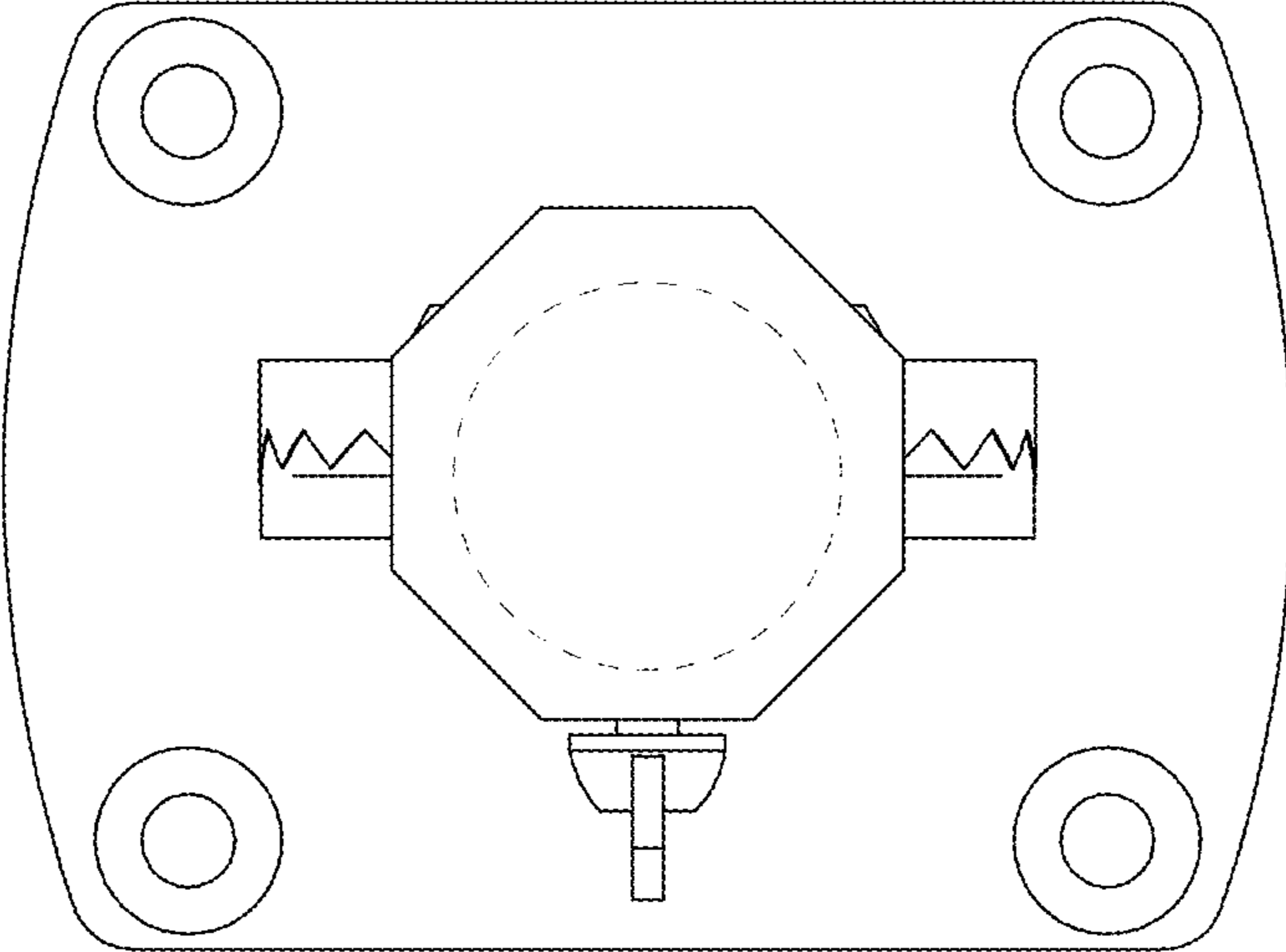


FIG. 2

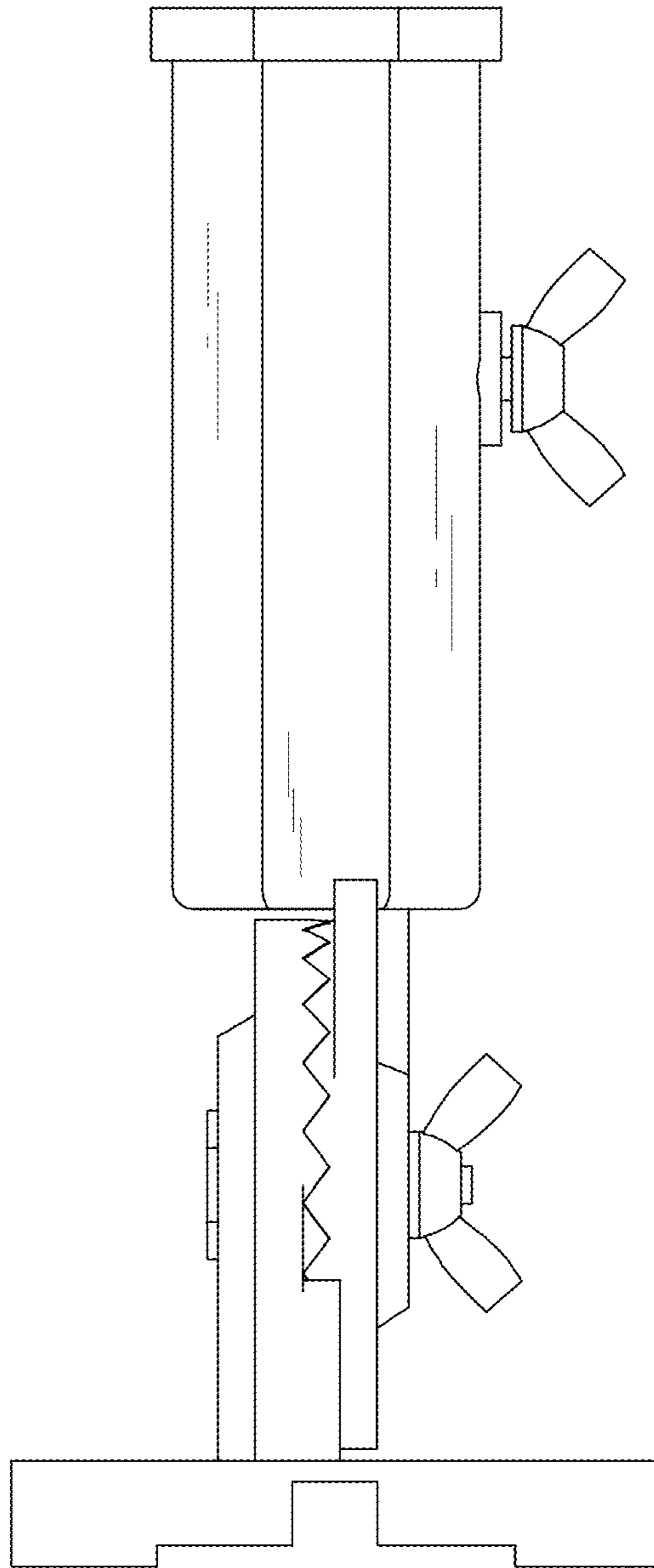


FIG. 3

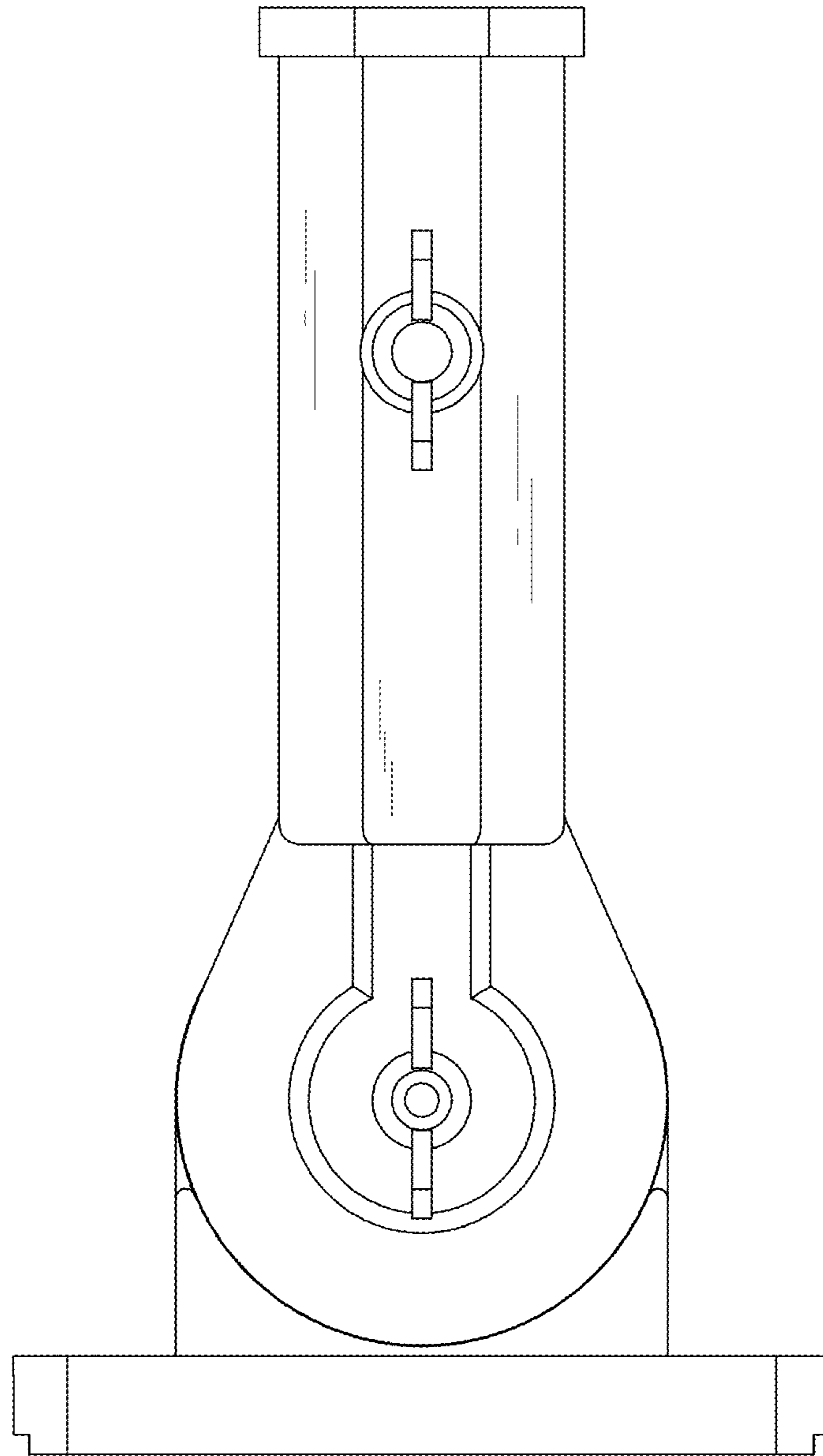


FIG. 4

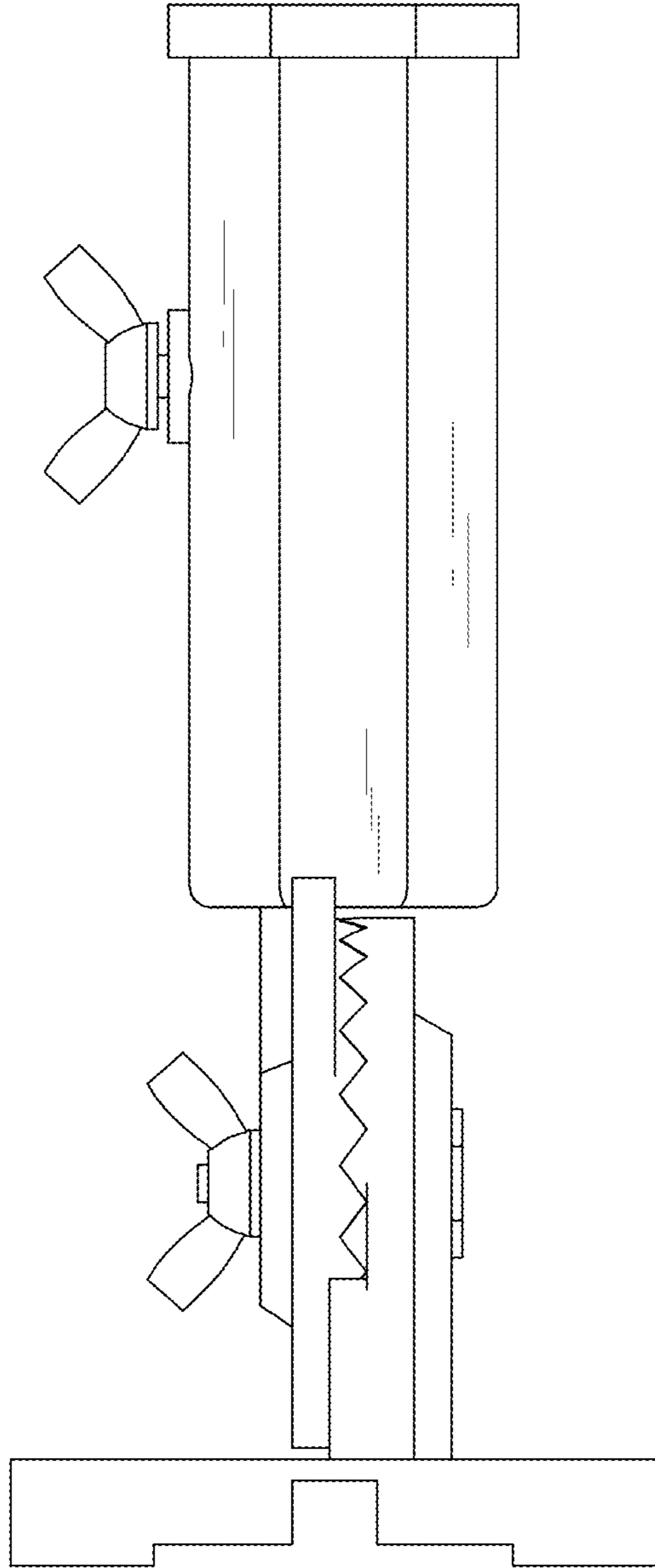


FIG. 5

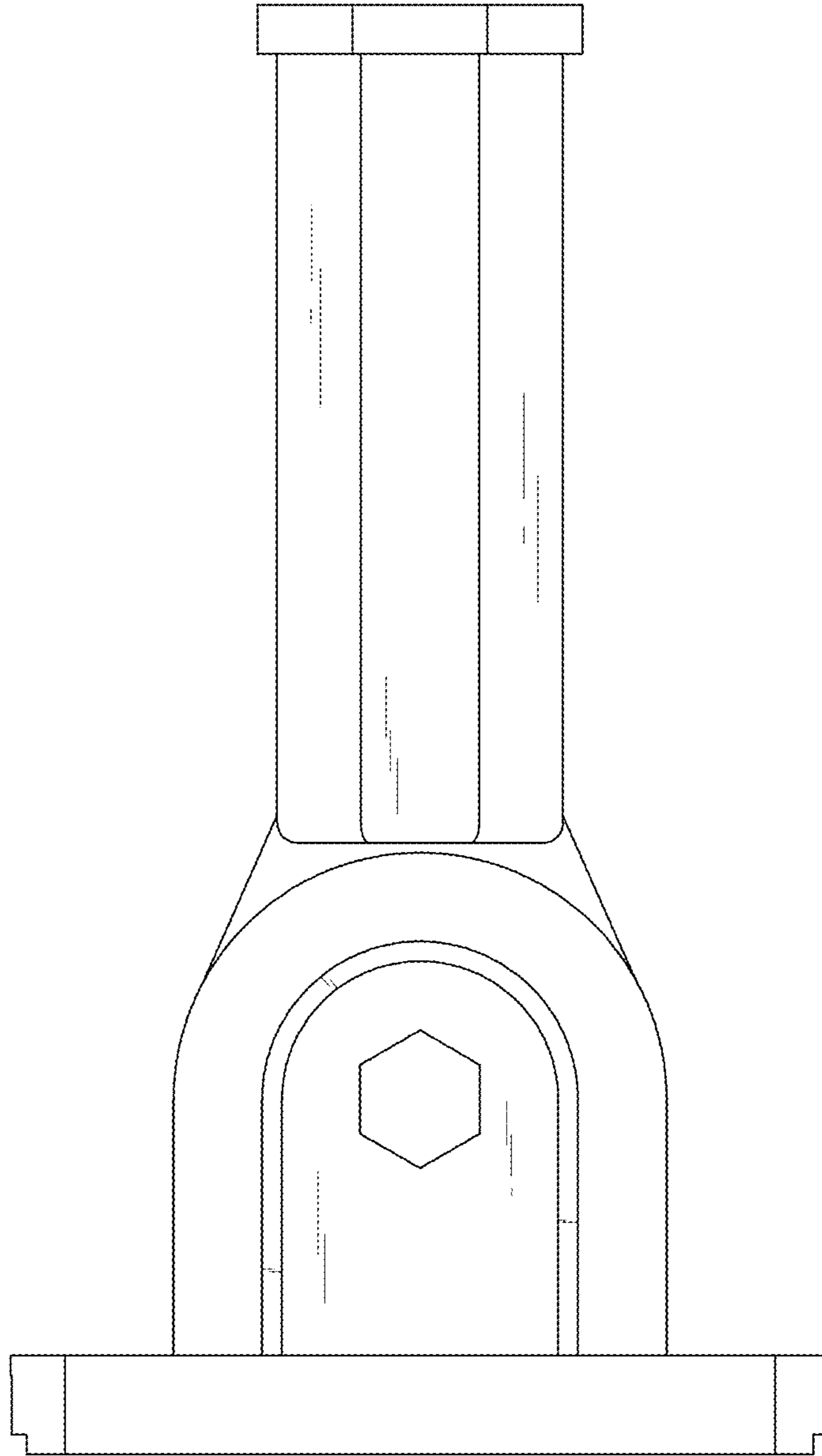


FIG. 6

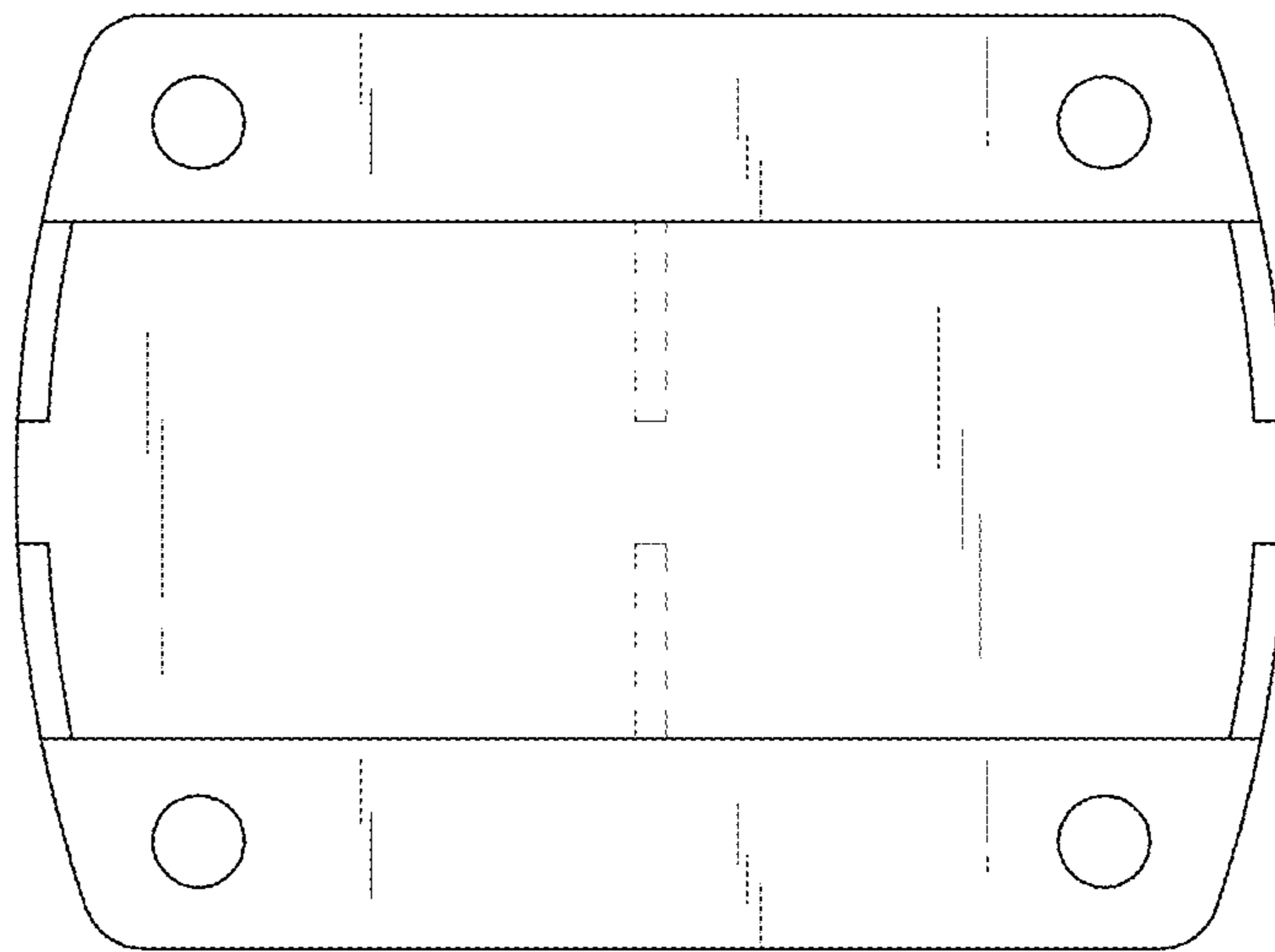


FIG. 7