



US00D969020S

(12) **United States Design Patent**
Huang

(10) **Patent No.:** **US D969,020 S**

(45) **Date of Patent:** **** Nov. 8, 2022**

(54) **HANGING PLANT STAND**

D705,564 S * 5/2014 Probst D6/405
D887,822 S 6/2020 Klar
D902,074 S * 11/2020 Abraham D11/143

(71) Applicant: **TIAOXINGMA (FUZHOU)**
TRADING CO., LTD., Fujian (CN)

OTHER PUBLICATIONS

(72) Inventor: **Yi Huang,** Fujian (CN)

Urban Leaf website, 3 Tier Wall Hanging Test Tube Propagation Station, Earliest review date Jul. 31, 2022, [site visited Aug. 27, 2022], Available on the Internet URL <https://urbanleaf.co.nz/collections/all-products/products/3-tier-wall-hanging-test-tube-propagation-station-brown> (Year: 2022).*

(**) Term: **15 Years**

* cited by examiner

(21) Appl. No.: **29/829,448**

(22) Filed: **Mar. 4, 2022**

(51) **LOC (13) Cl.** **11-02**

(52) **U.S. Cl.**
USPC **D11/143**

Primary Examiner — S. Bryan Reinholdt, Jr.
(74) *Attorney, Agent, or Firm* — SciNova IP and Regulatory Consulting LLC; Jingfeng Song

(58) **Field of Classification Search**
USPC D11/143, 144, 145; D3/304; D7/701;
D25/100; D6/403, 512
CPC A01G 31/02; A01G 9/12; A01G 9/124;
A47G 7/00; A47G 7/02
See application file for complete search history.

(57) **CLAIM**
The ornamental design for a hanging plant stand, as shown and described.

DESCRIPTION

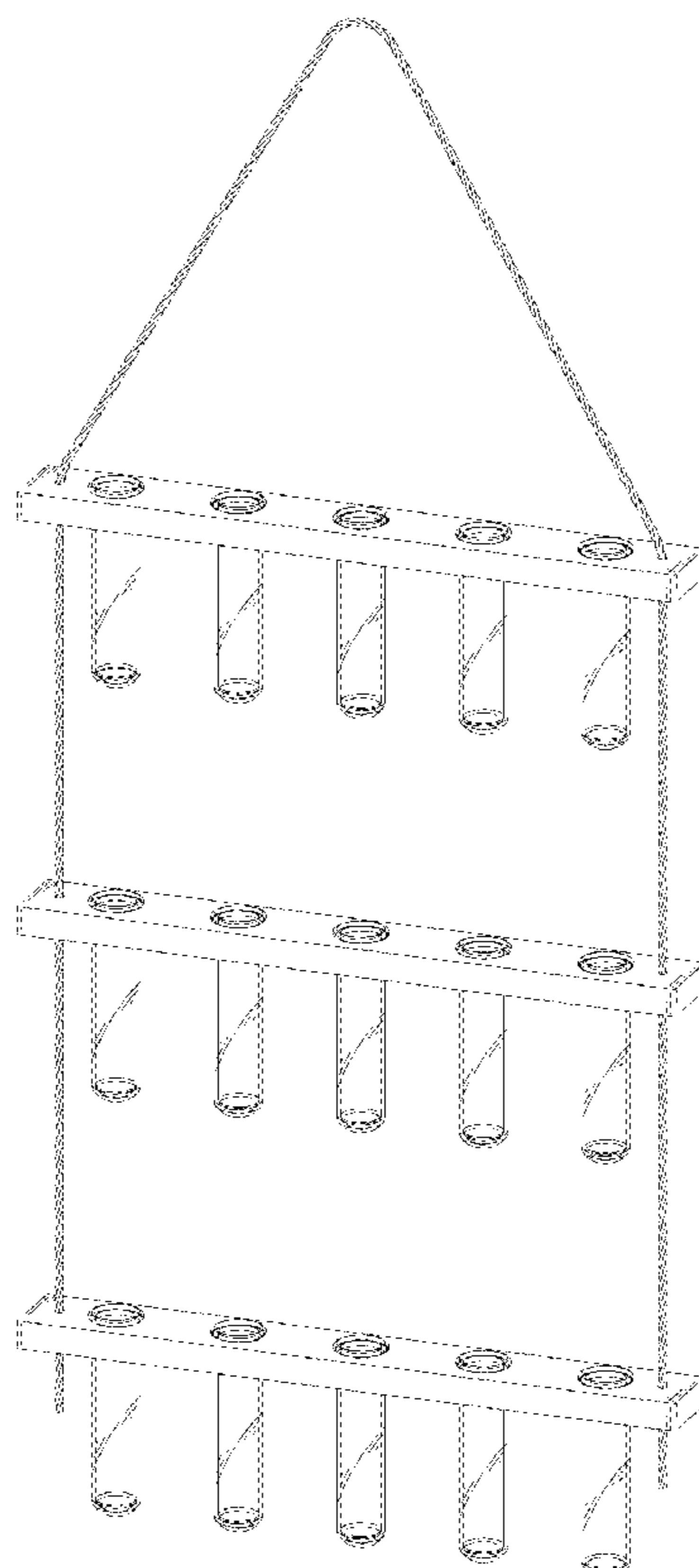
(56) **References Cited**

U.S. PATENT DOCUMENTS

D247,838 S	5/1978	Jones et al.	
D250,158 S *	11/1978	Kelly	D6/661
D288,998 S *	3/1987	Wiggins	D6/558
D292,053 S	9/1987	Spurling et al.	
D294,548 S *	3/1988	Wallace	D6/558
D300,792 S	4/1989	Hutchins	
D303,054 S *	8/1989	Mendenhall	D11/143
D651,937 S *	1/2012	Hashimoto	D11/143

FIG. 1 is a perspective view of a hanging plant stand, showing my new design;
FIG. 2 is a front elevational view thereof;
FIG. 3 is a rear elevational view thereof;
FIG. 4 is a left elevational view thereof;
FIG. 5 is a right elevational view thereof;
FIG. 6 is a top plan view thereof; and,
FIG. 7 is a bottom plan view thereof.

1 Claim, 7 Drawing Sheets



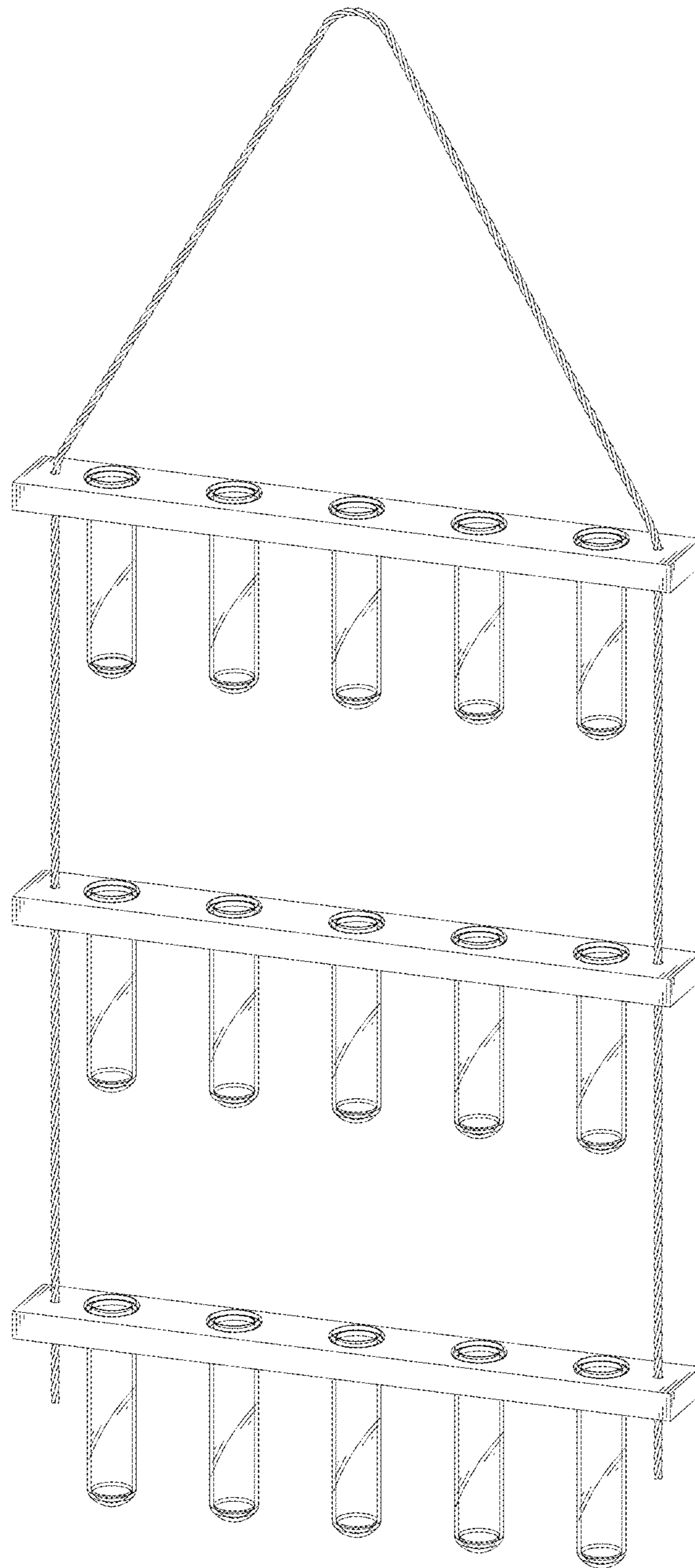


FIG.1

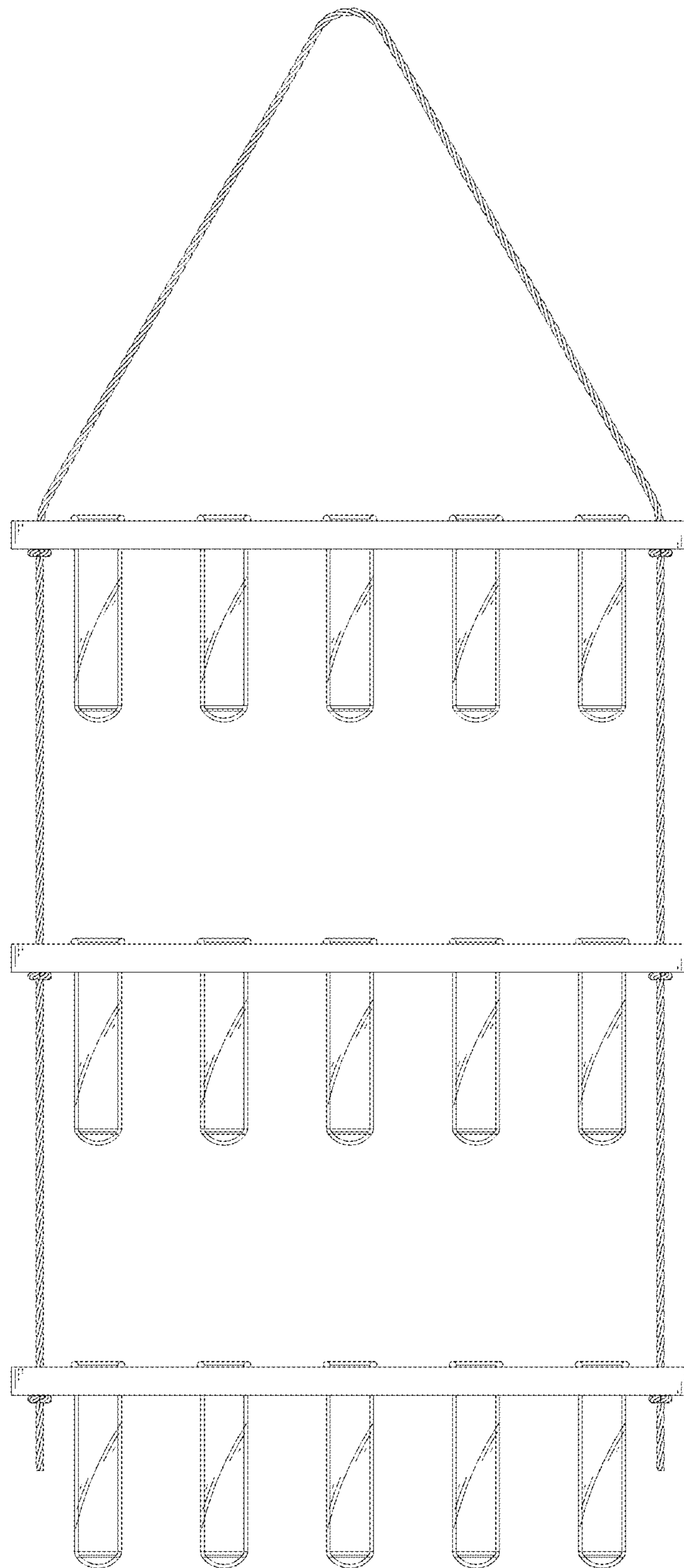


FIG.2

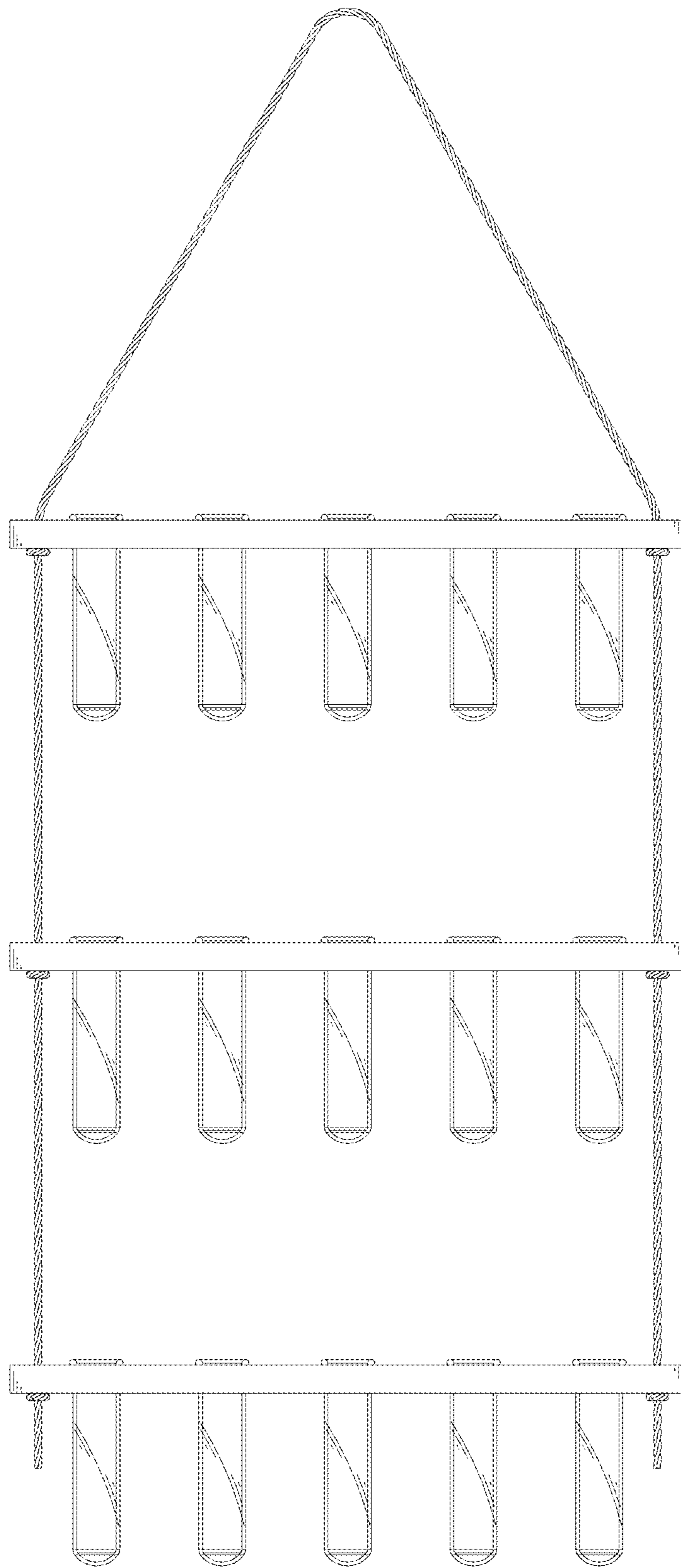


FIG.3

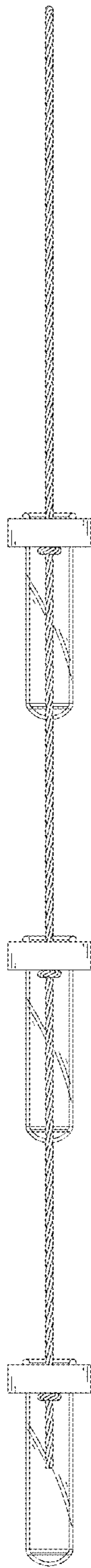


FIG. 4

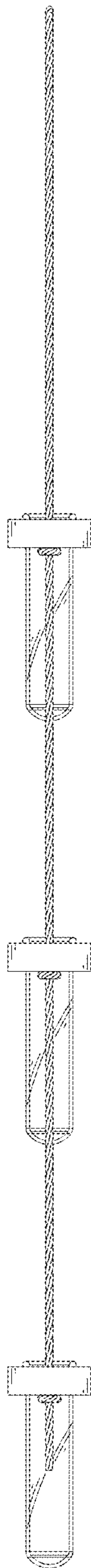


FIG. 5

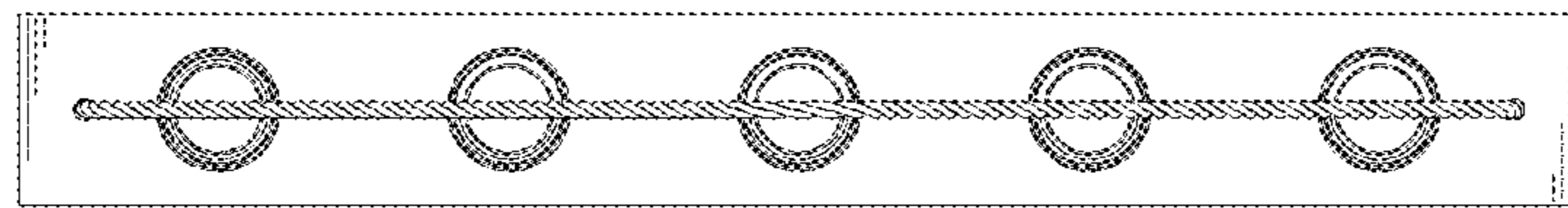


FIG.6

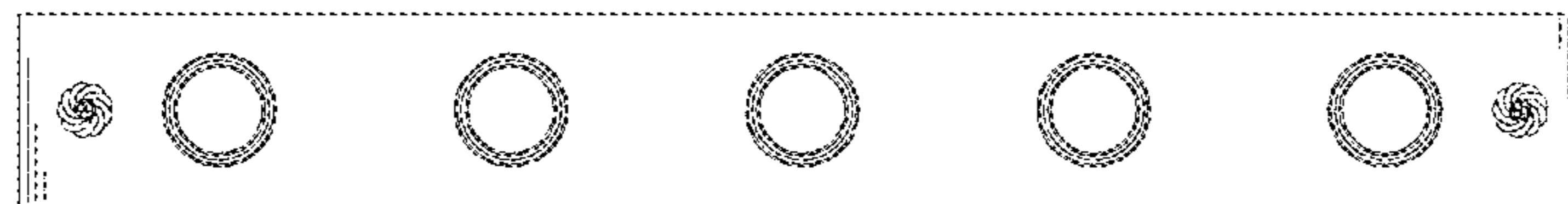


FIG. 7