



US00D969017S

(12) **United States Design Patent**
Asscher et al.

(10) **Patent No.:** **US D969,017 S**
(45) **Date of Patent:** **** Nov. 8, 2022**

- (54) **ROSE MARQUISE DIAMOND ARTICLE**
- (71) Applicant: **Koninklijke Asscher Diamant Maatschappij B.V.**, Amsterdam (NL)
- (72) Inventors: **Mike Edward Asscher**, Amsterdam (NL); **Lita Natascha Asscher**, Amsterdam (NL)
- (73) Assignee: **KONINKLIJKE ASSCHER DIAMANT MAATSCHAPPIJ B.V.**, Amsterdam (NL)

- D778,201 S 2/2017 Asscher et al.
- D828,215 S * 9/2018 Rydlewicz D11/89
- D839,776 S 2/2019 Rydlewicz
- D839,779 S 2/2019 Rydlewicz
- D843,877 S * 3/2019 Rydlewicz D11/89
- D872,636 S * 1/2020 Bonoli D11/91
- D883,846 S 5/2020 Mehta
- D885,244 S 5/2020 Mehta
- D893,342 S * 8/2020 Rydlewicz D11/89
- D896,121 S 9/2020 Asscher
- D947,062 S * 3/2022 Asscher D11/90
- 2019/0261747 A1* 8/2019 Reiss A44C 17/001
- 2019/0274399 A1* 9/2019 Tomasik A44C 17/001

* cited by examiner

(**) Term: **15 Years**

Primary Examiner — Richard Kearney

(21) Appl. No.: **29/801,784**

(74) *Attorney, Agent, or Firm* — Hovey Williams LLP

(22) Filed: **Jul. 30, 2021**

(57) **CLAIM**

(30) **Foreign Application Priority Data**

The ornamental design for a rose marquise diamond article, as shown and described.

Jun. 28, 2021 (EM) 008594766

(51) **LOC (13) Cl.** **11-01**

DESCRIPTION

(52) **U.S. Cl.** **D11/90**

USPC **D11/90**

(58) **Field of Classification Search**

USPC D11/35, 89–92

CPC A44C 17/00; A44C 17/001; A44C 17/005;

A44C 17/007; A44C 17/008

See application file for complete search history.

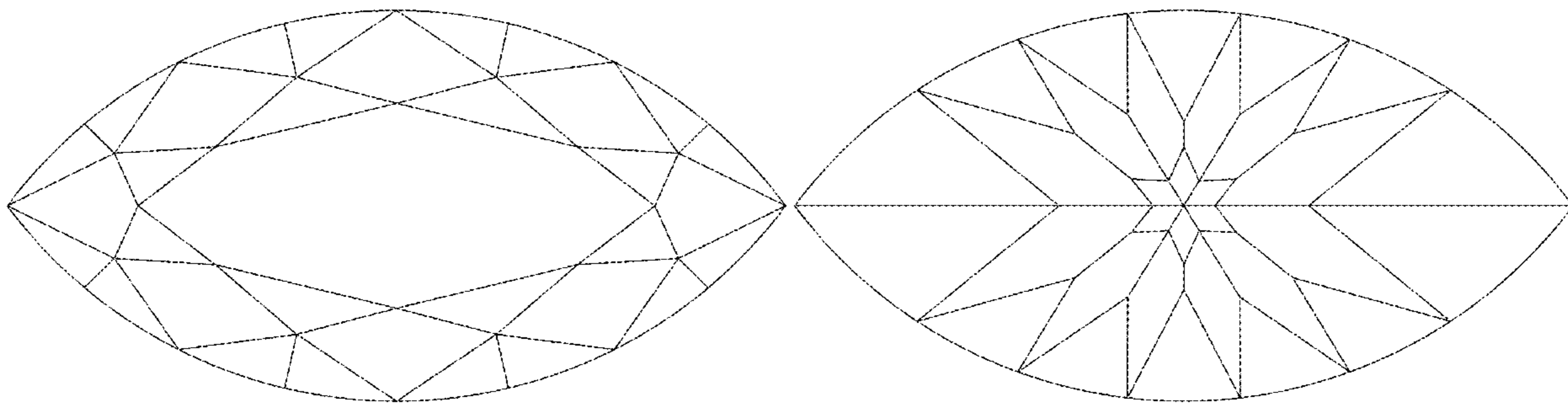
FIG. 1 is an upper perspective view of a rose marquise diamond article embodying our design;
 FIG. 2 is a lower perspective view of the rose marquise diamond article shown in FIG. 1;
 FIG. 3 is a top view of the rose marquise diamond article shown in FIGS. 1 and 2;
 FIG. 4 is a bottom view of the rose marquise diamond article shown in FIGS. 1-3;
 FIG. 5 is a right side elevation view of the rose marquise diamond article shown in FIGS. 1-4;
 FIG. 6 is a front elevation view of the rose marquise diamond article shown in FIGS. 1-5;
 FIG. 7 is a left side elevation view of the rose marquise diamond article shown in FIGS. 1-6; and,
 FIG. 8 is a rear elevation view of the rose marquise diamond article shown in FIGS. 1-3.

(56) **References Cited**

U.S. PATENT DOCUMENTS

- D392,588 S 3/1998 Bachar
- D453,007 S 1/2002 Asscher
- D487,711 S * 3/2004 Namdar D11/90
- D491,094 S * 6/2004 Mehta D11/90
- D498,170 S * 11/2004 Mehta D11/90
- D513,714 S * 1/2006 Sanghvi D11/90
- D609,600 S * 2/2010 Tannenbaum D11/90
- D736,667 S 8/2015 Asscher et al.

1 Claim, 8 Drawing Sheets



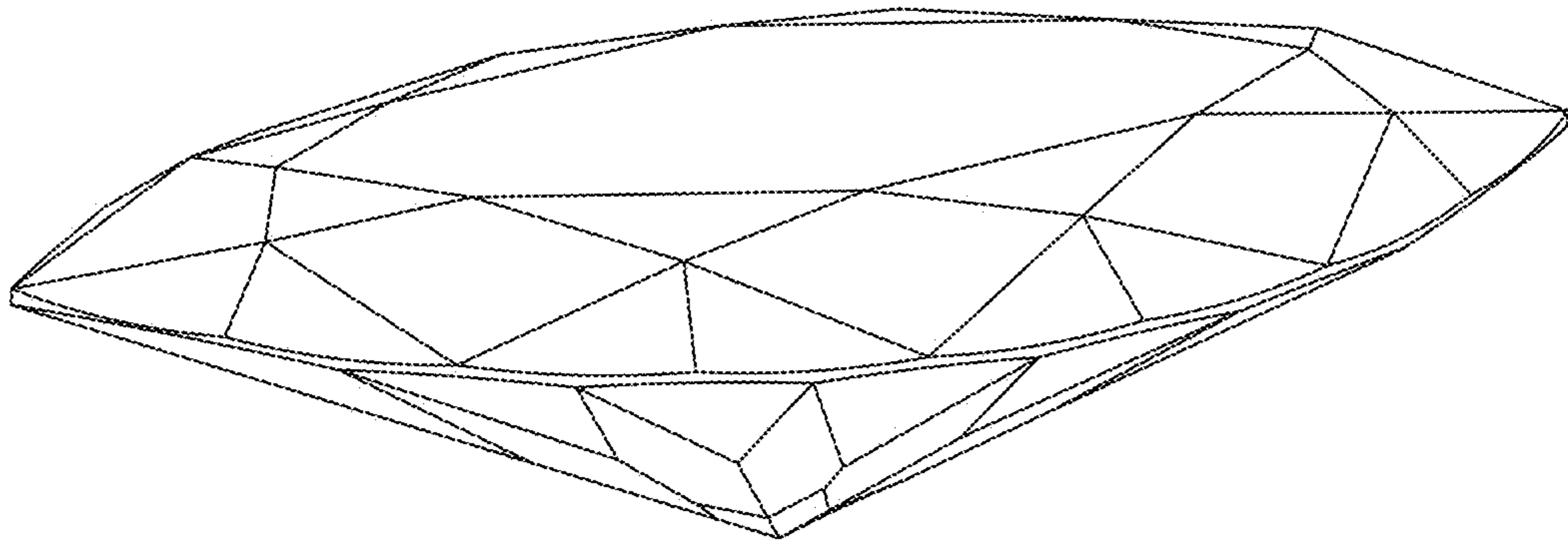


FIG. 1

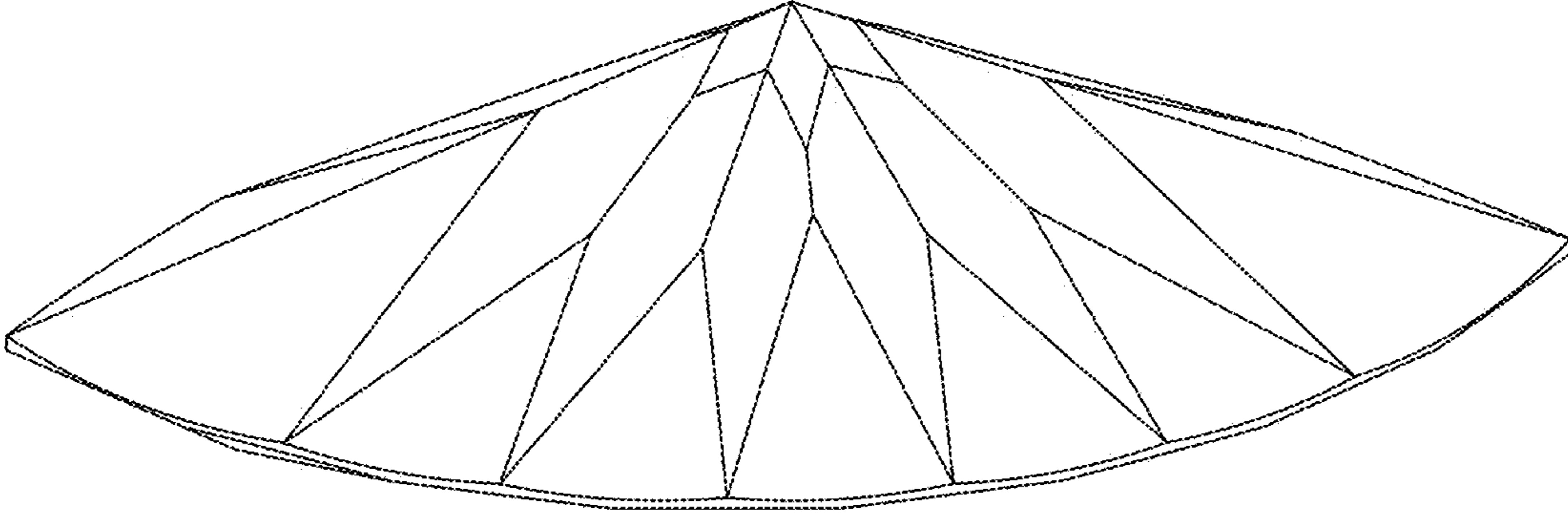


FIG. 2

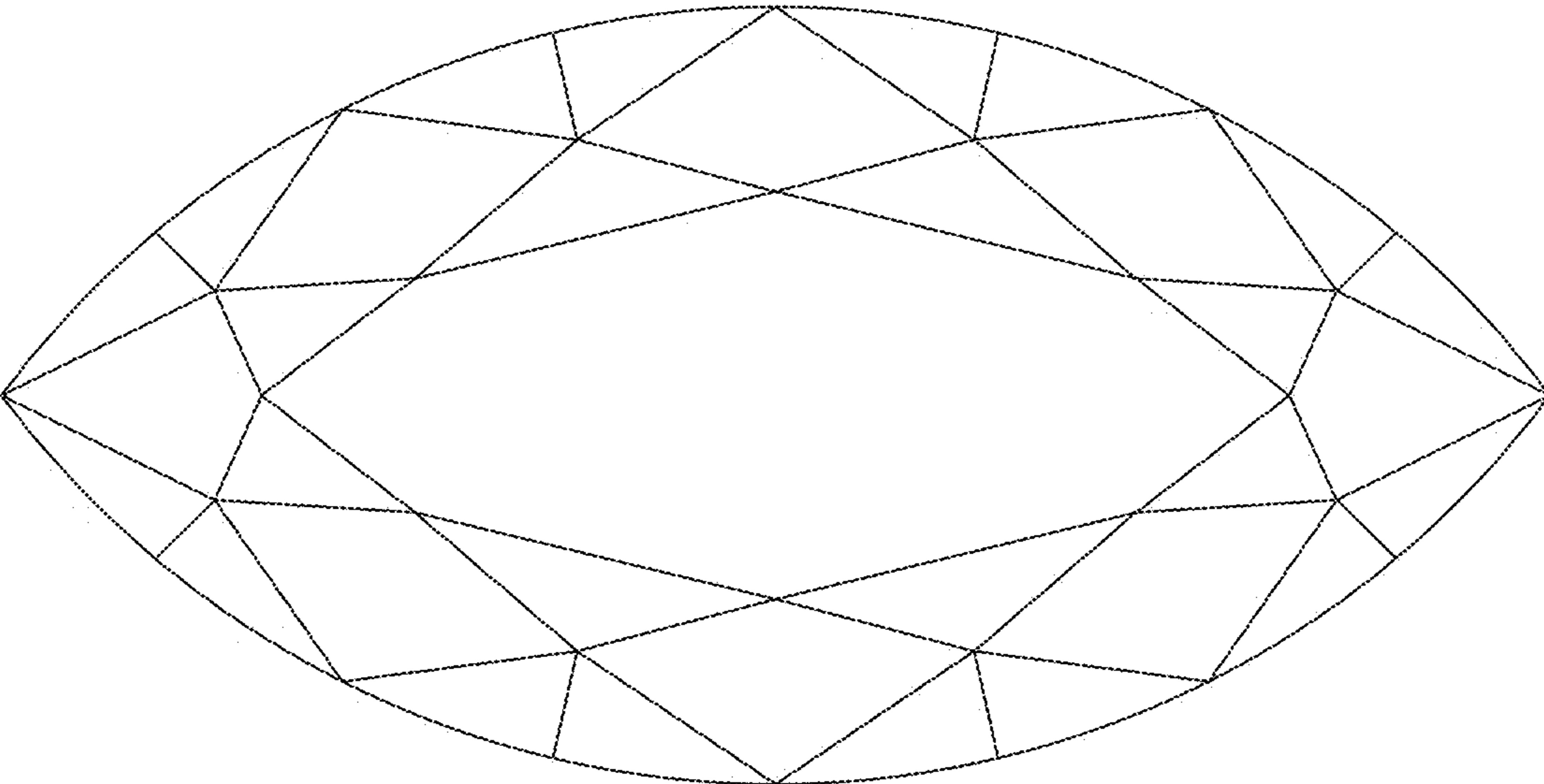


FIG. 3

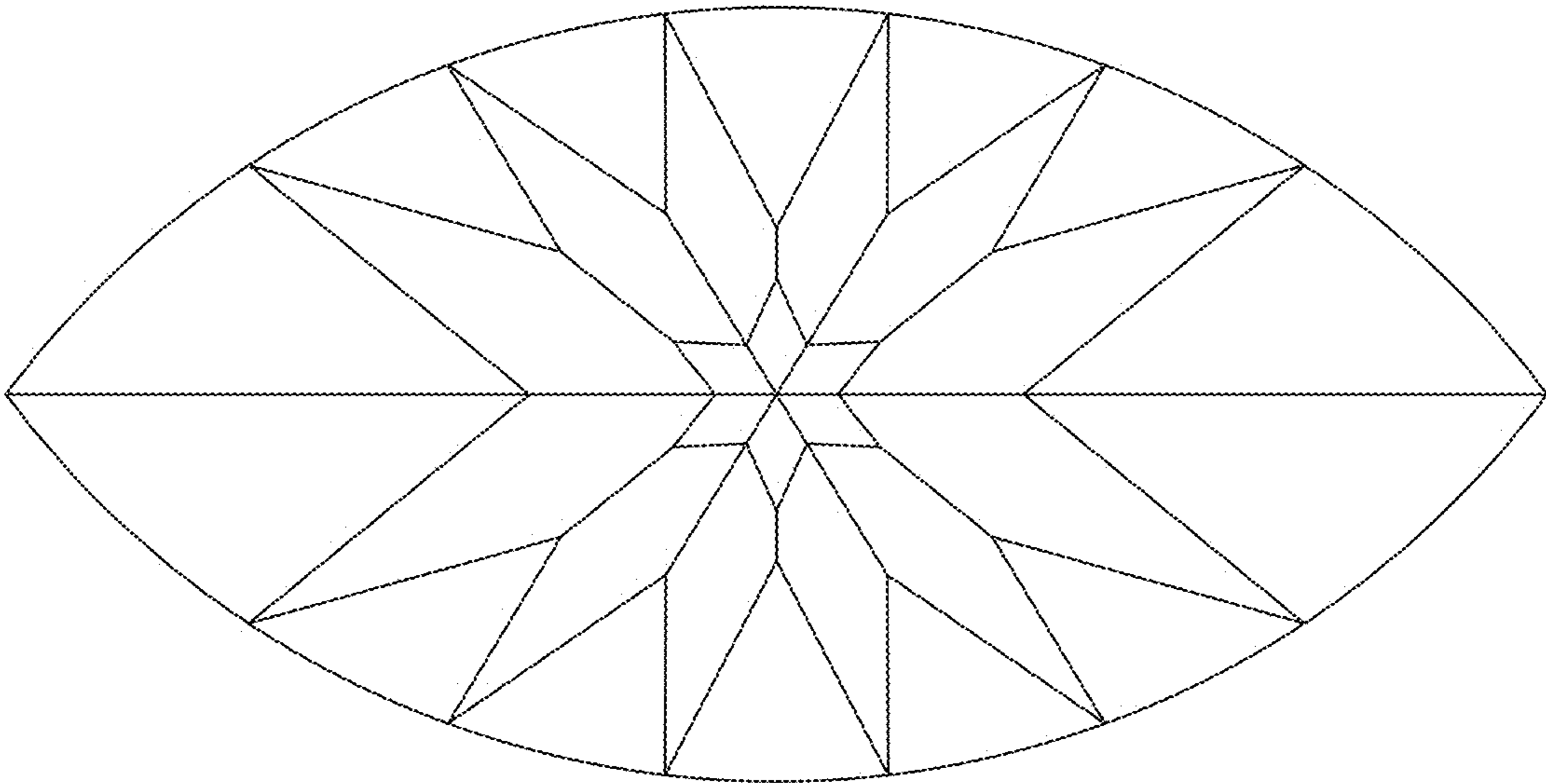


FIG. 4

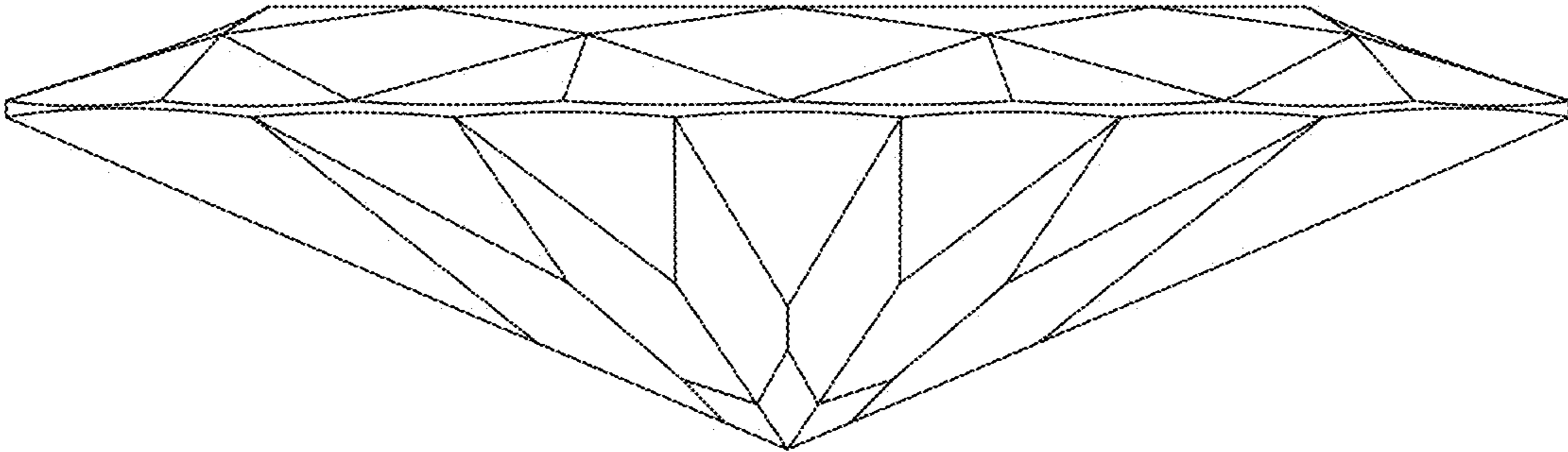


FIG. 5

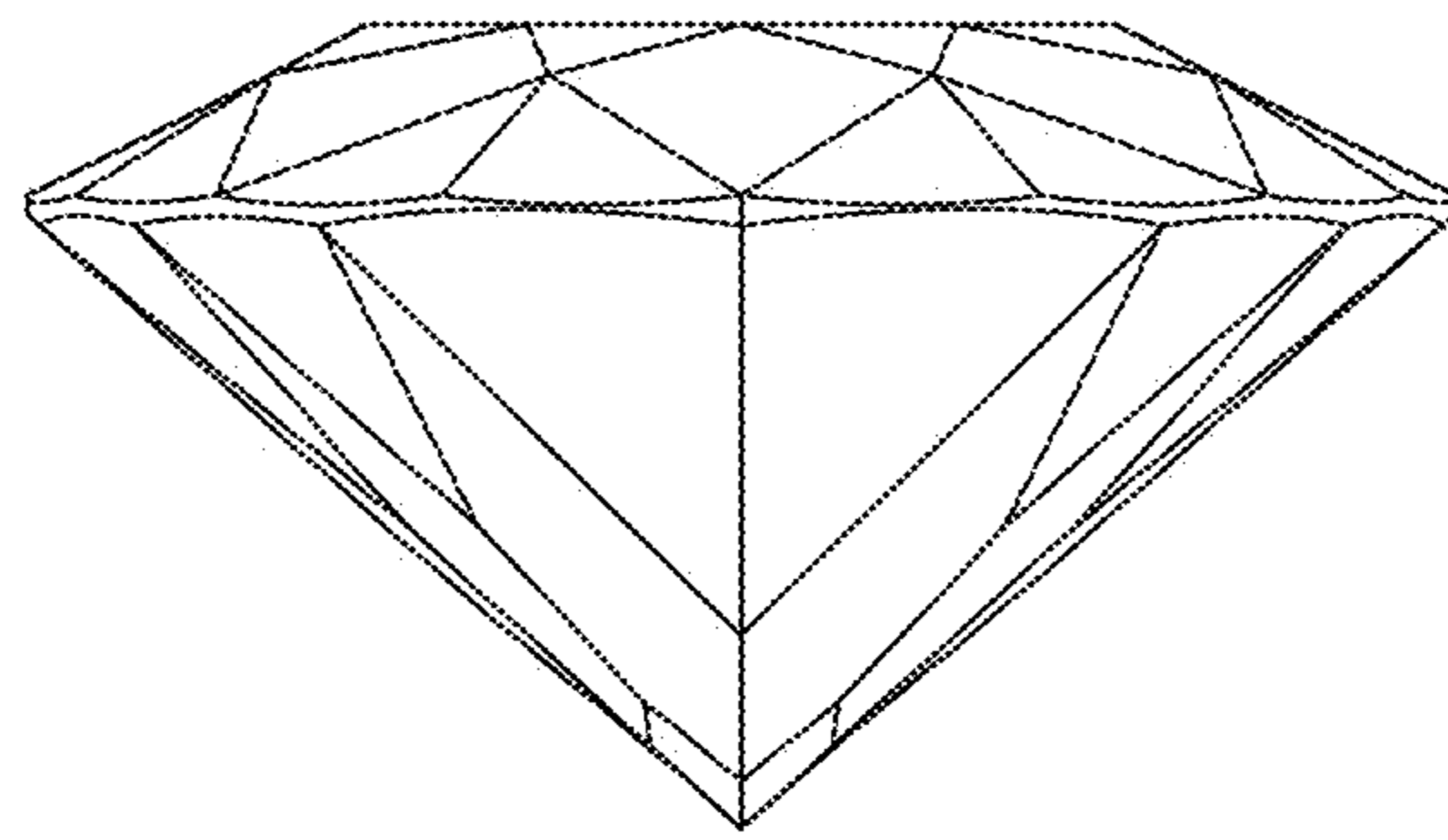


FIG. 6

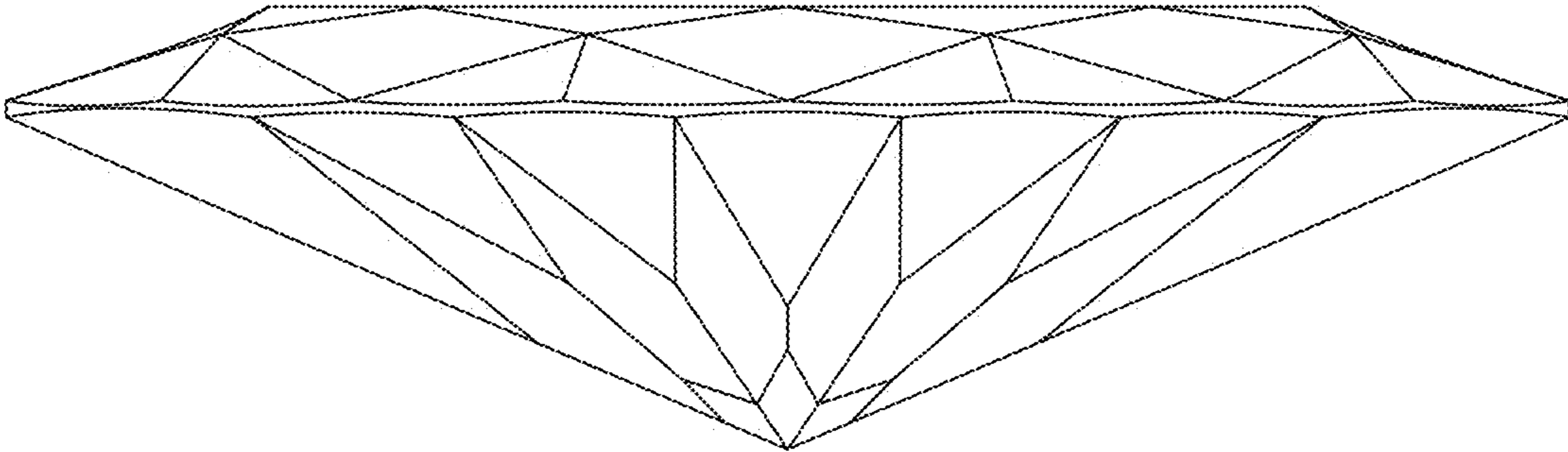


FIG. 7

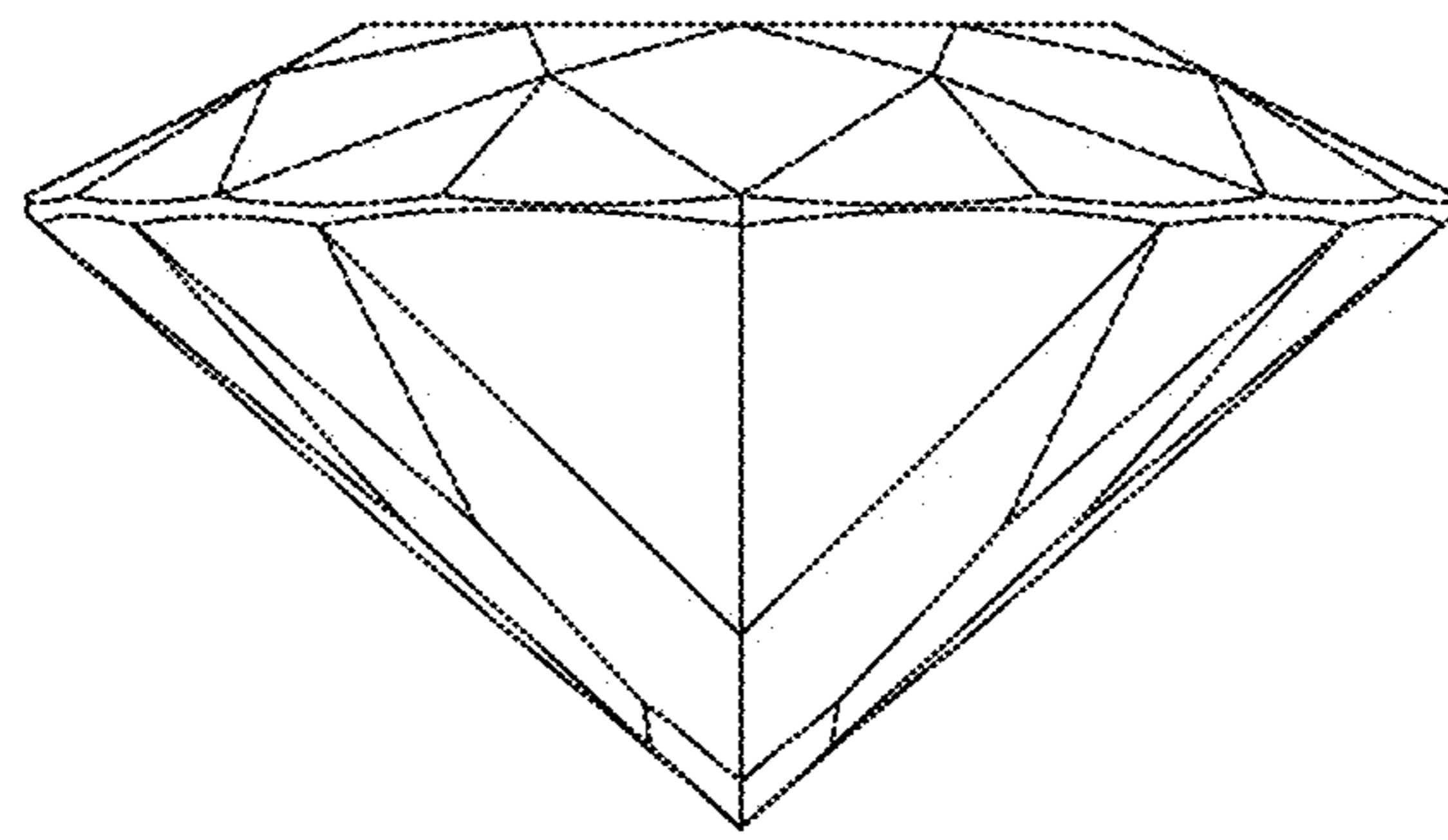


FIG. 8