



US00D969016S

(12) **United States Design Patent**  
**Asscher et al.**

(10) **Patent No.:** **US D969,016 S**  
(45) **Date of Patent:** **\*\* Nov. 8, 2022**

(54) **ROSE OVAL DIAMOND ARTICLE**

D498,170 S \* 11/2004 Mehta ..... D11/90  
D499,984 S 12/2004 Cutshall  
D501,153 S \* 1/2005 Tolkowsky ..... D11/90  
(Continued)

(71) Applicant: **Koninklijke Asscher Diamant  
Maatschappij B.V.**, Amsterdam (NL)

(72) Inventors: **Mike Edward Asscher**, Amsterdam  
(NL); **Lita Natascha Asscher**,  
Amsterdam (NL)

FOREIGN PATENT DOCUMENTS

IL 54234 \* 6/2015

(73) Assignee: **KONINKLIJKE ASSCHER  
DIAMANT MAATSCHAPPIJ B.V.**,  
Amsterdam (NL)

OTHER PUBLICATIONS

The Oval Brilliant Cut (available online) Retrieved from the internet  
Jul. 7, 2022 from URL: <https://www.prosumerdiamonds.com/oval-brilliant-cut/> 3.\*

(Continued)

(\*\*) Term: **15 Years**

*Primary Examiner* — Richard Kearney

(21) Appl. No.: **29/801,777**

(74) *Attorney, Agent, or Firm* — Hovey Williams LLP

(22) Filed: **Jul. 30, 2021**

(30) **Foreign Application Priority Data**

Jun. 28, 2021 (EM) ..... 008594766

(51) **LOC (13) Cl.** ..... **11-01**

(52) **U.S. Cl.**  
USPC ..... **D11/90**

(58) **Field of Classification Search**  
USPC ..... D11/35, 89–92  
CPC ..... A44C 17/00; A44C 17/001; A44C 17/005;  
A44C 17/007; A44C 17/008  
See application file for complete search history.

(57) **CLAIM**

The ornamental design for a rose oval diamond article, as shown and described.

**DESCRIPTION**

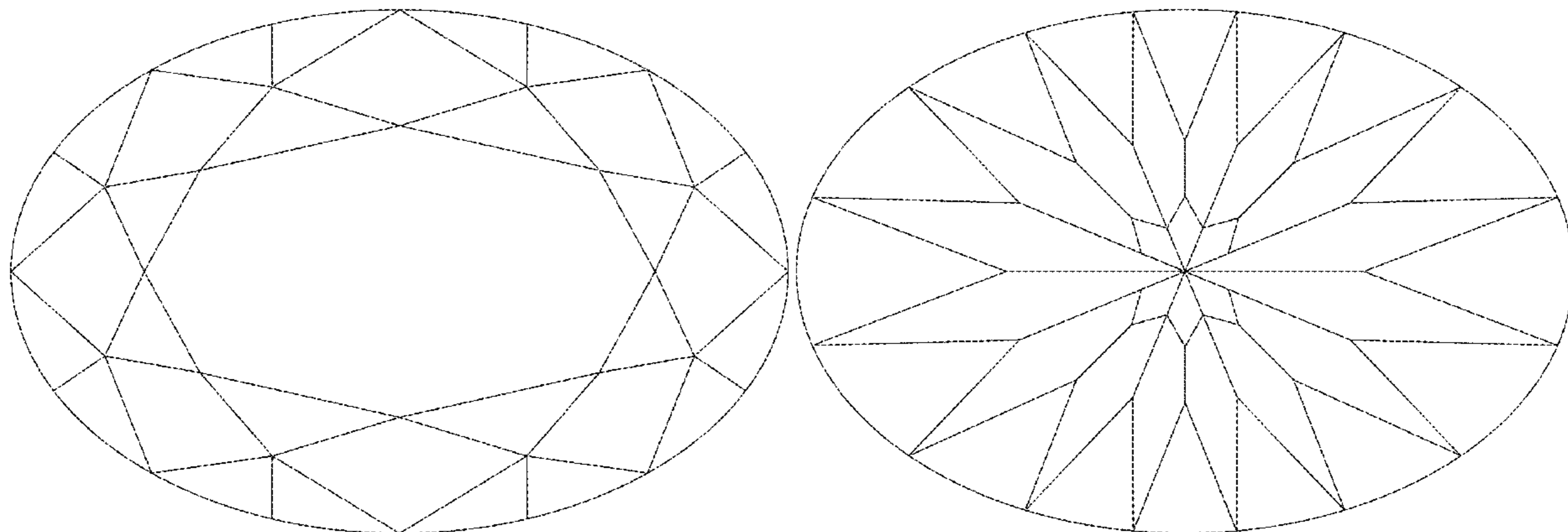
FIG. 1 is an upper perspective view of a rose oval diamond article embodying our design;  
FIG. 2 is a lower perspective view of the rose oval diamond article shown in FIG. 1;  
FIG. 3 is a top view of the rose oval diamond article shown in FIGS. 1 and 2;  
FIG. 4 is a bottom view of the rose oval diamond article shown in FIGS. 1-3;  
FIG. 5 is a right side elevation view of the rose oval diamond article shown in FIGS. 1-4;  
FIG. 6 is a front elevation view of the rose oval diamond article shown in FIGS. 1-5;  
FIG. 7 is a left side elevation view of the rose oval diamond article shown in FIGS. 1-6; and,  
FIG. 8 is a rear elevation view of the rose oval diamond article shown in FIGS. 1-3.

(56) **References Cited**

U.S. PATENT DOCUMENTS

4,555,916 A \* 12/1985 Grossbard ..... A44C 17/001  
63/32  
D392,589 S 3/1998 Bachar  
6,159,972 A 12/2000 Berg et al.  
D453,007 S 1/2002 Asscher  
D455,367 S \* 4/2002 Tolkowsky ..... D11/90  
D455,977 S 4/2002 Shah  
D457,829 S 5/2002 Cohen  
D459,268 S \* 6/2002 Goldberg ..... D11/90  
D462,635 S 9/2002 Cohen

**1 Claim, 8 Drawing Sheets**



(56)

**References Cited**

U.S. PATENT DOCUMENTS

D592,540	S	5/2009	Rydlewicz	
7,878,025	B2	2/2011	Rydlewicz	
D643,769	S *	8/2011	Botha .....	D11/90
D678,116	S	3/2013	LeVian	
D678,811	S	3/2013	LeVian	
D694,665	S *	12/2013	Mitchener .....	D11/90
D734,200	S	7/2015	Rydlewicz	
D736,667	S	8/2015	Asscher et al.	
D738,778	S	9/2015	Rydlewicz	
D763,121	S *	8/2016	Berdan .....	D11/90
D763,122	S	8/2016	Rydlewicz	
D778,201	S	2/2017	Asscher et al.	
D810,613	S *	2/2018	Mehta .....	D11/90
D839,776	S	2/2019	Rydlewicz	
D839,779	S	2/2019	Rydlewicz	
D872,636	S *	1/2020	Bonoli .....	D11/91
D883,846	S	5/2020	Mehta	
D885,244	S	5/2020	Mehta	
D896,121	S	9/2020	Asscher	
D896,686	S *	9/2020	Shah .....	D11/90
D909,235	S *	2/2021	Weingarten .....	D11/90
D947,062	S *	3/2022	Asscher .....	D11/90
2008/0271488	A1 *	11/2008	Rydlewicz .....	A44C 17/001 63/32
2019/0261747	A1 *	8/2019	Reiss .....	A44C 17/001
2019/0274399	A1 *	9/2019	Tomasik .....	A44C 17/001

OTHER PUBLICATIONS

Facet\_Diagrams\_for\_Cutting\_Gemstones (available online) Retrieved from the internet Jul. 7, 2022 from URL:<http://www.facetdiagrams.org>.\*

\* cited by examiner

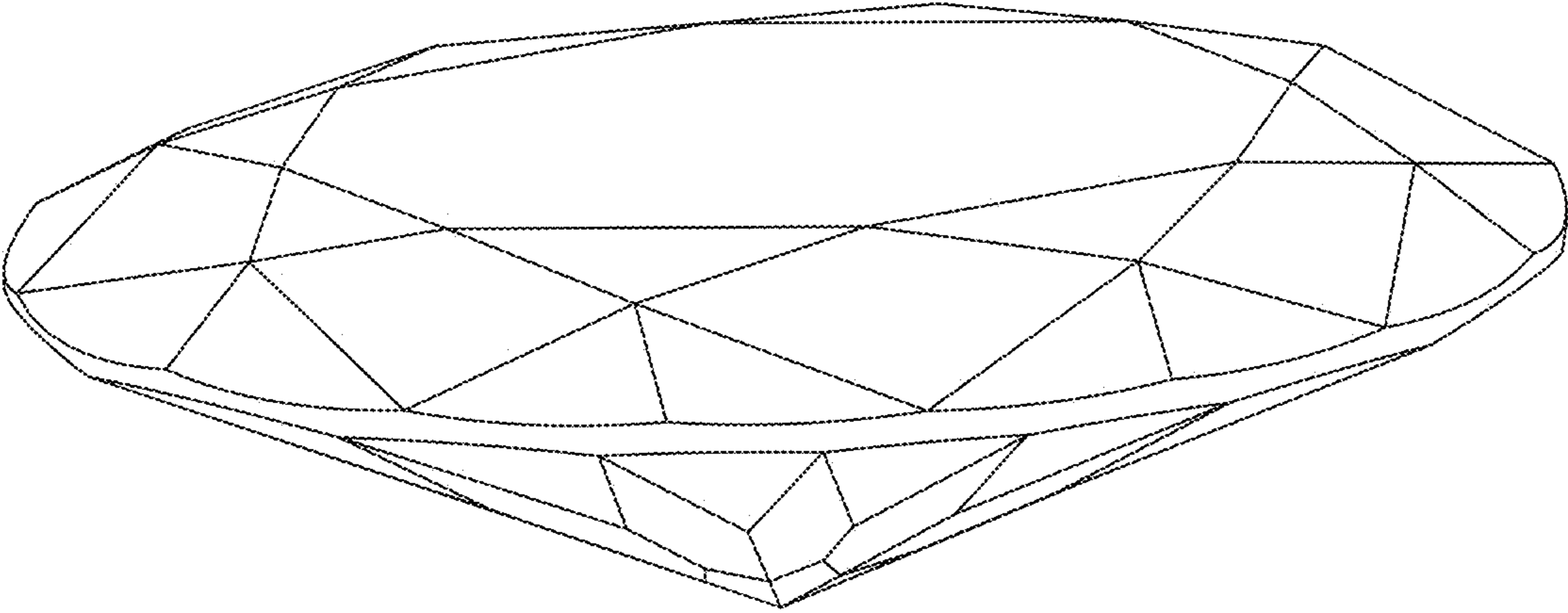


FIG. 1

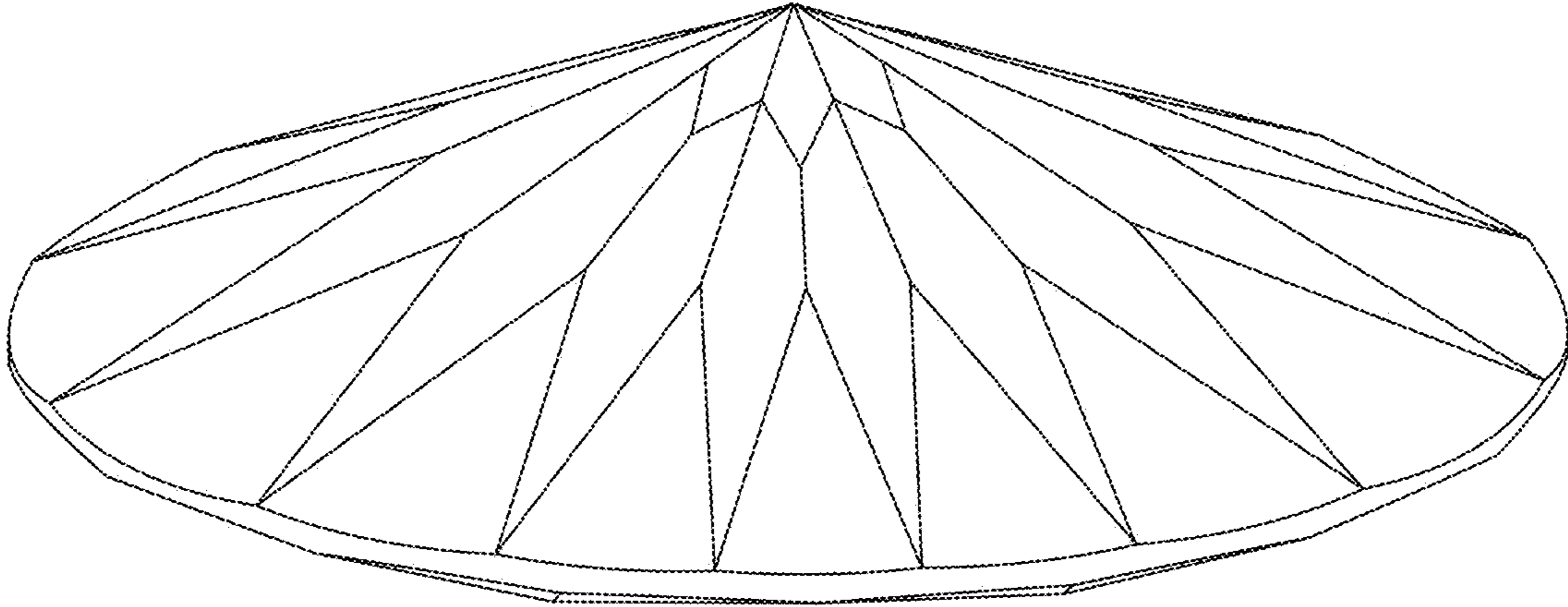


FIG. 2

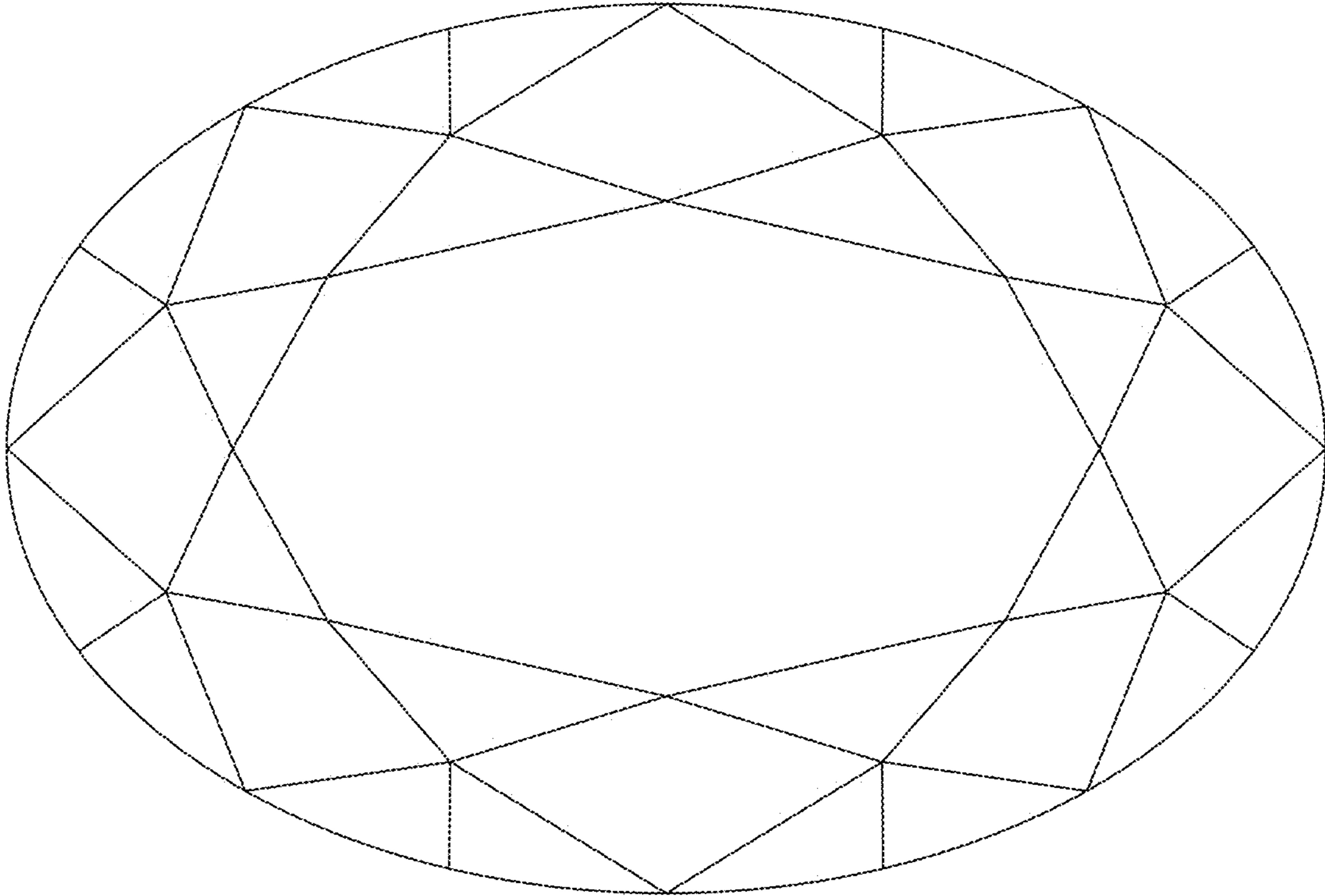


FIG. 3

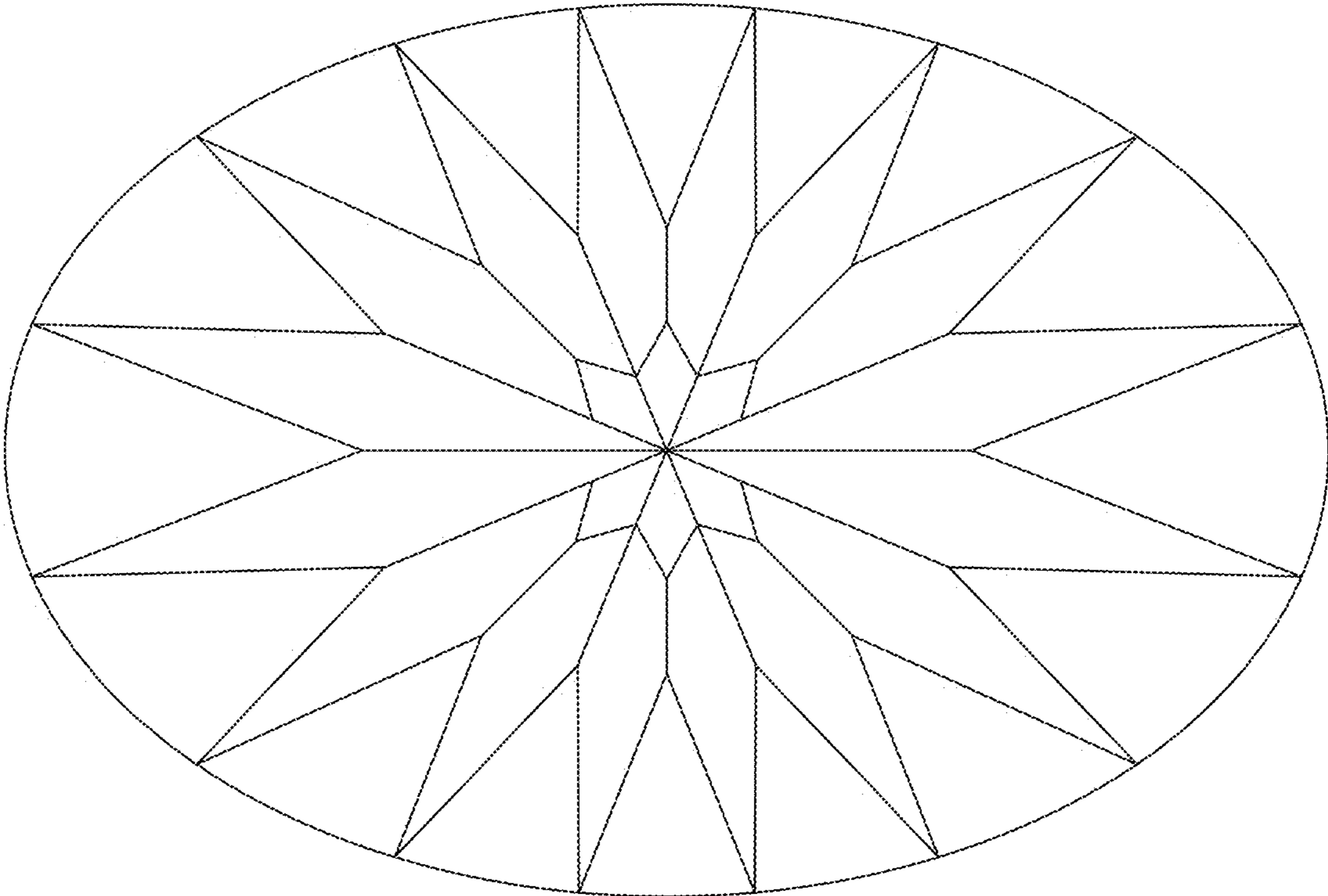


FIG. 4

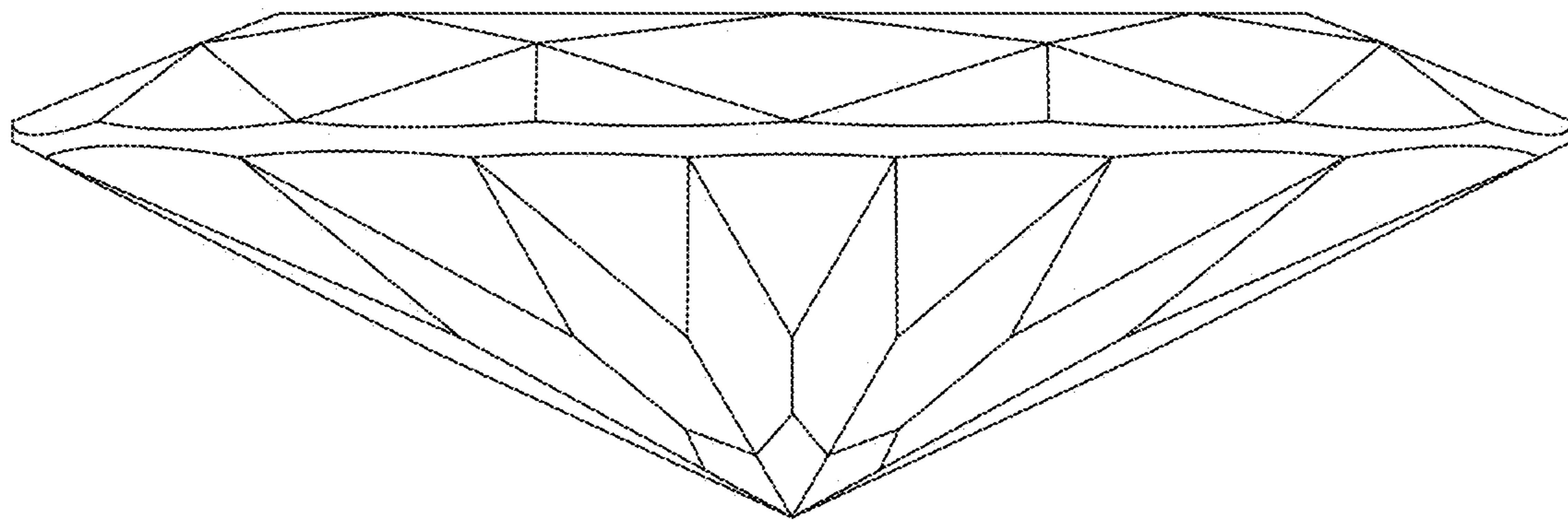


FIG. 5

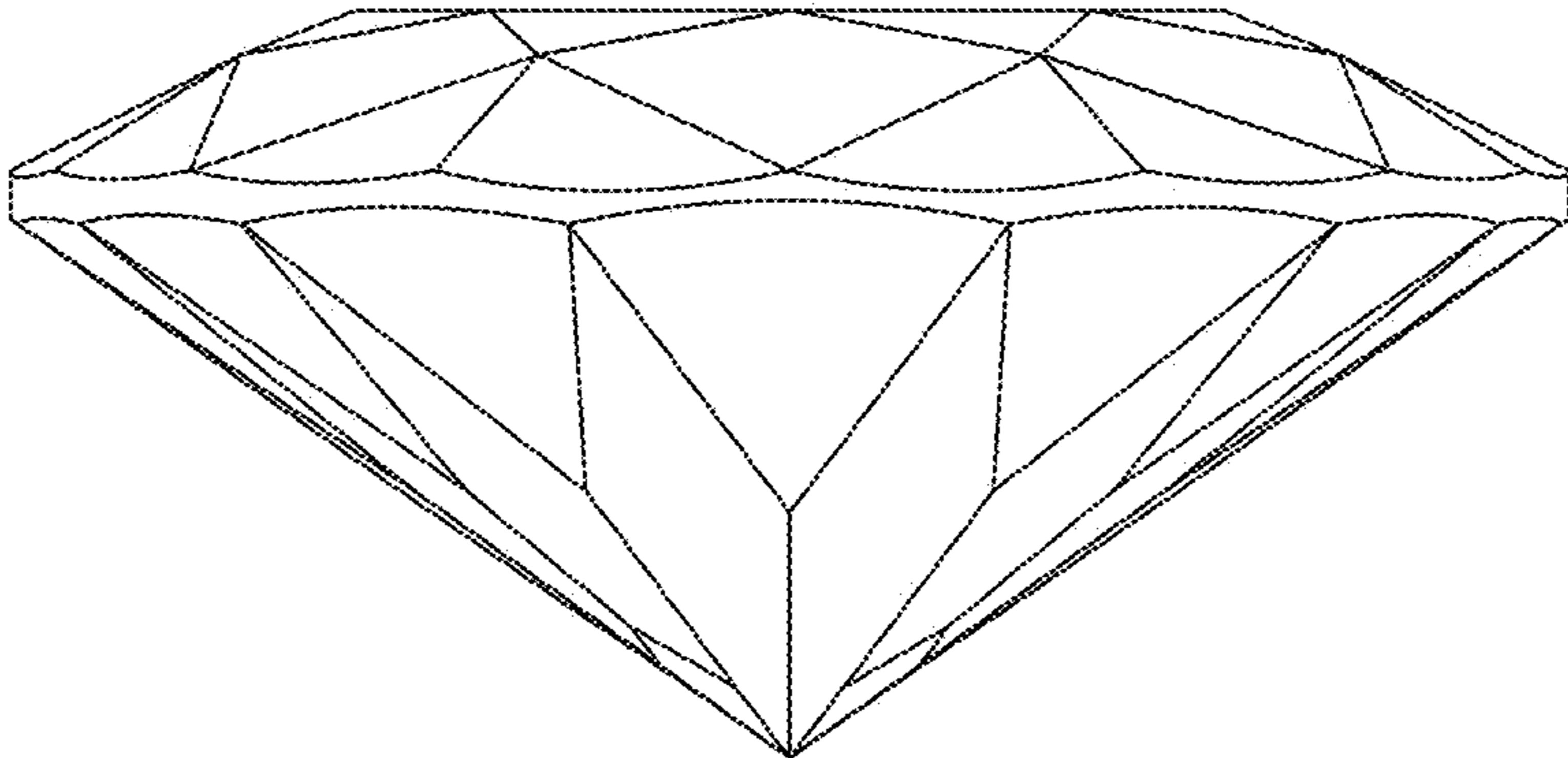


FIG. 6



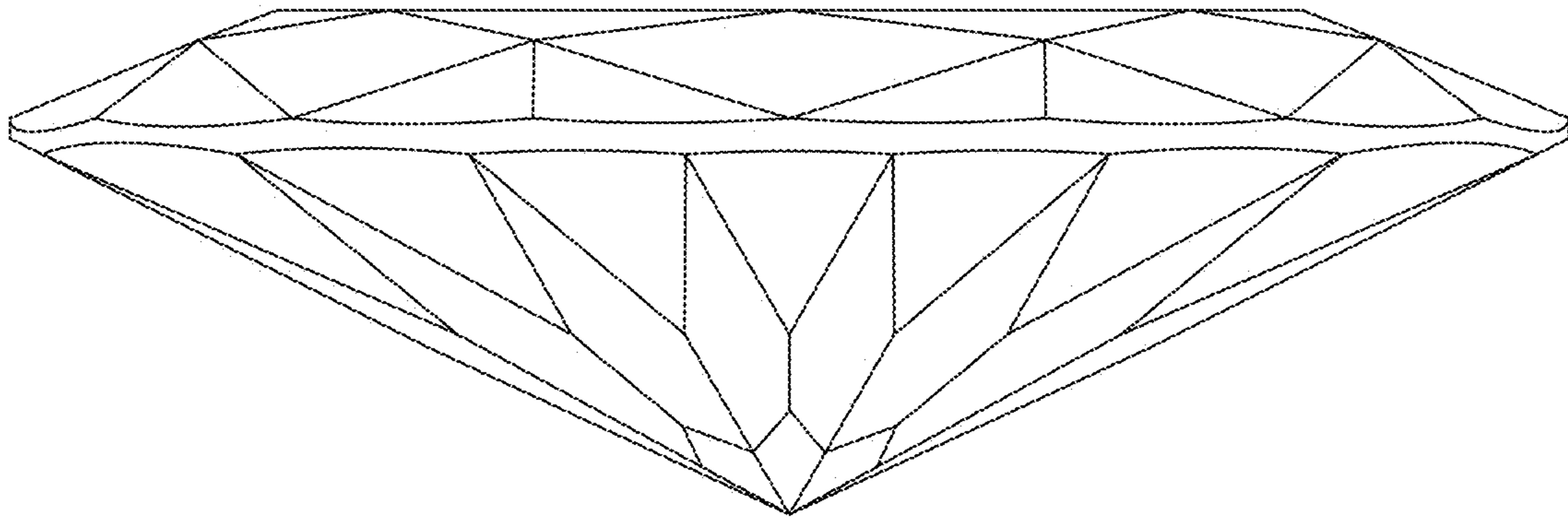


FIG. 7

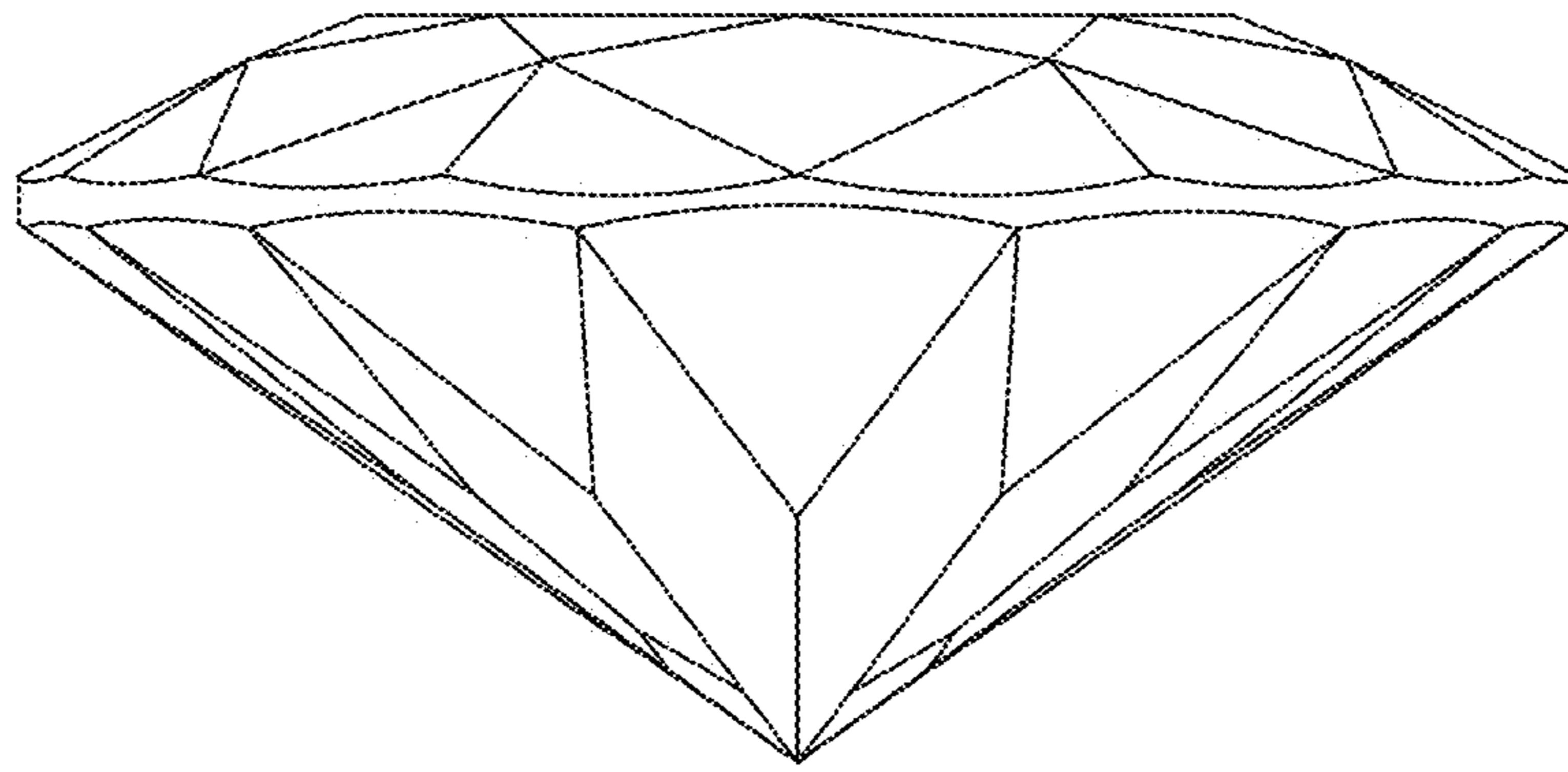


FIG. 8