



US00D969015S

(12) **United States Design Patent**
Tashjian

(10) **Patent No.:** **US D969,015 S**

(45) **Date of Patent:** **** Nov. 8, 2022**

- (54) **CUT STONE FOR JEWELRY**
- (71) Applicant: **Venus by Maria Tash, Inc.**, New York, NY (US)
- (72) Inventor: **Maria Tashjian**, New York, NY (US)
- (73) Assignee: **Venus by Maria Tash, Inc.**, New York, NY (US)
- (**) Term: **15 Years**
- (21) Appl. No.: **29/724,989**
- (22) Filed: **Feb. 20, 2020**
- (51) **LOC (13) Cl.** **11-01**
- (52) **U.S. Cl.**
USPC **D11/90**
- (58) **Field of Classification Search**
USPC ... D11/1, 79, 86, 87, 88, 89, 90, 40, 42, 34;
D26/154
CPC A44C 27/00; A44C 17/00-046
See application file for complete search history.

D883,846 S 5/2020 Mehta
D885,244 S 5/2020 Mehta
D948,372 S * 4/2022 Tashjian D11/90

FOREIGN PATENT DOCUMENTS

CN 106455773 A 2/2017

OTHER PUBLICATIONS

Maria Tash on Instagram, Feb. 26, 2022, online, site visited Apr. 9, 2022. Retrieved from url:https://www.instagram.com/p/CacvEmnONL2/ (Year: 2022).*

* cited by examiner

Primary Examiner — Tracey J Bell

(74) *Attorney, Agent, or Firm* — Dentons US LLP

(57) **CLAIM**

The ornamental design for a cut stone for jewelry, as shown and described.

DESCRIPTION

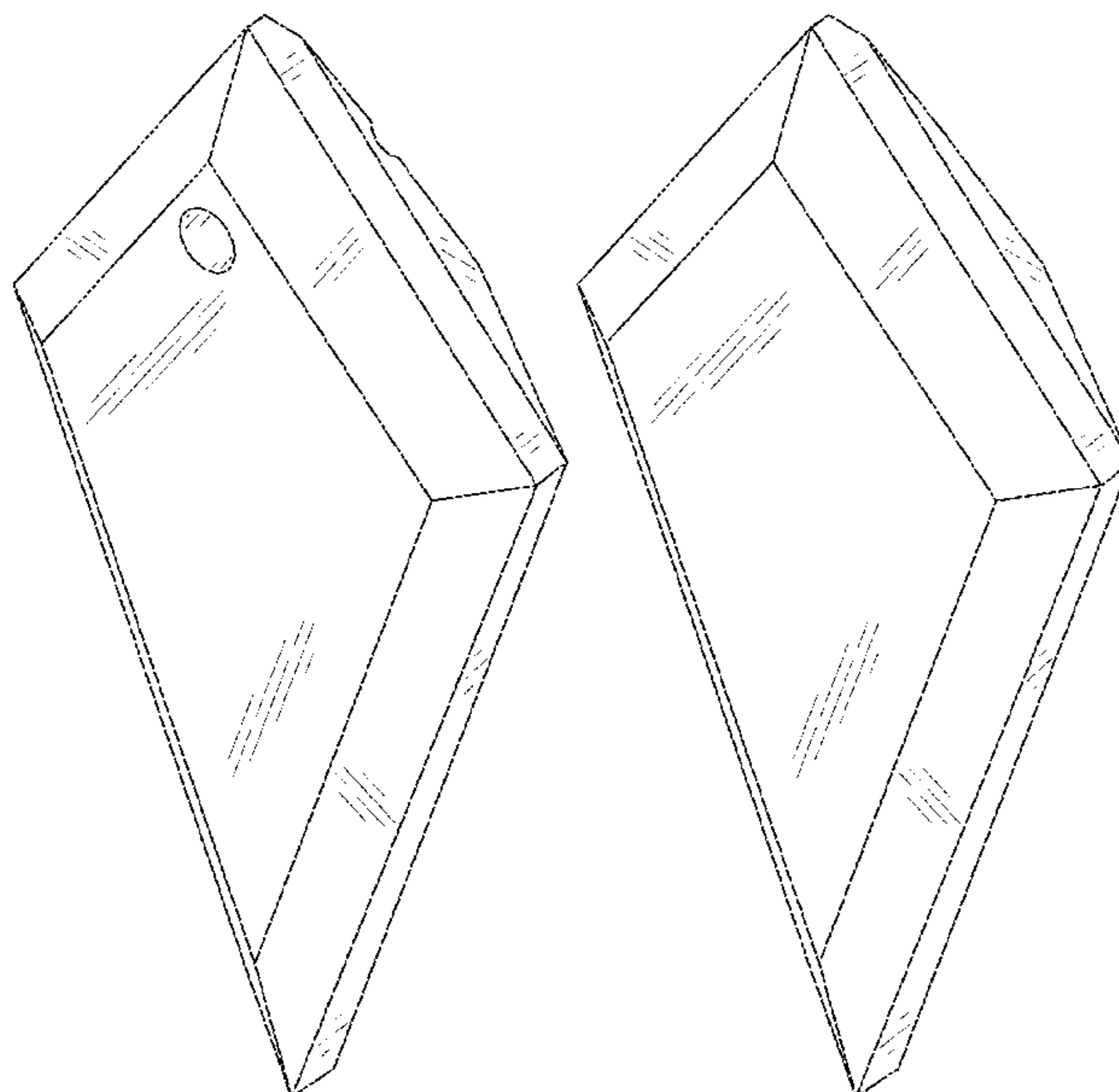
FIG. 1 is a front perspective view of a first embodiment of a cut stone for jewelry;
FIG. 2 is a front side view thereof;
FIG. 3 is a back side view thereof;
FIG. 4 is a right side view thereof;
FIG. 5 is a left side view thereof;
FIG. 6 is a top side view thereof; and
FIG. 7 is a bottom side view thereof.
FIG. 8 is a front perspective view of a second embodiment of a cut stone for jewelry;
FIG. 9 is a front side view thereof;
FIG. 10 is a back side view thereof;
FIG. 11 is a right side view thereof;
FIG. 12 is a left side view thereof;
FIG. 13 is a top side view thereof; and,
FIG. 14 is a bottom side view thereof.

(56) **References Cited**

U.S. PATENT DOCUMENTS

D254,837 S	*	4/1980	Breaux	D11/90
D276,143 S	*	10/1984	Williams	D11/90
D340,665 S	*	10/1993	Schachter	D11/89
D340,667 S	*	10/1993	Schachter	D11/89
D340,668 S	*	10/1993	Schachter	D11/89
D343,141 S	*	1/1994	Schachter	D11/90
D387,302 S	*	12/1997	Itzkowitz	D11/90
D393,230 S	*	4/1998	Katz	D11/90
D399,160 S	*	10/1998	Pandel	D10/128
D485,507 S	*	1/2004	Ho	D11/90
D490,340 S	*	5/2004	Ho	D11/90
D510,050 S		9/2005	Rachmany et al.		
D735,070 S	*	7/2015	Jayarathne	D11/89
D751,944 S		3/2016	Riemer		
D789,828 S	*	6/2017	Banman	D11/90

1 Claim, 8 Drawing Sheets



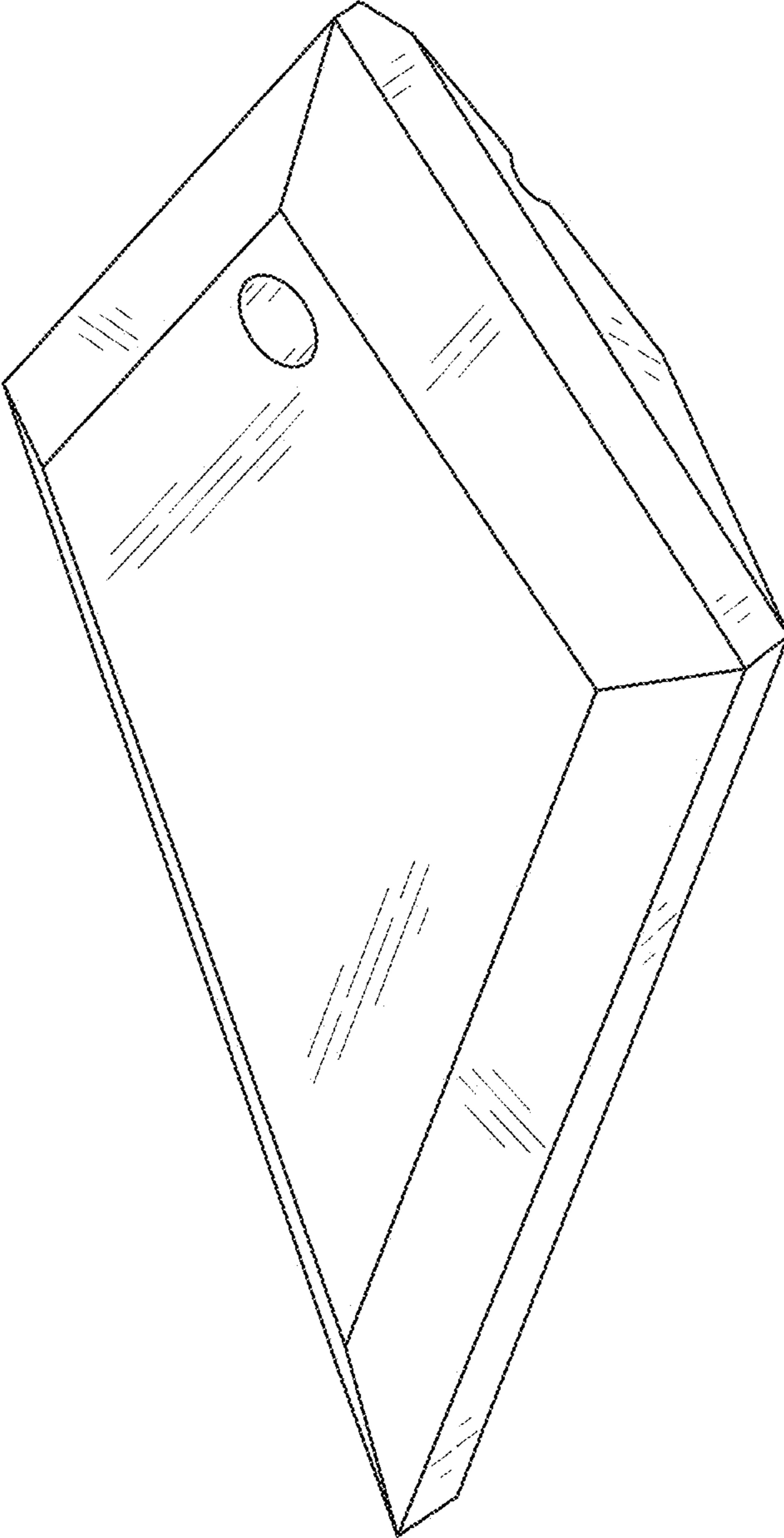


FIG. 1

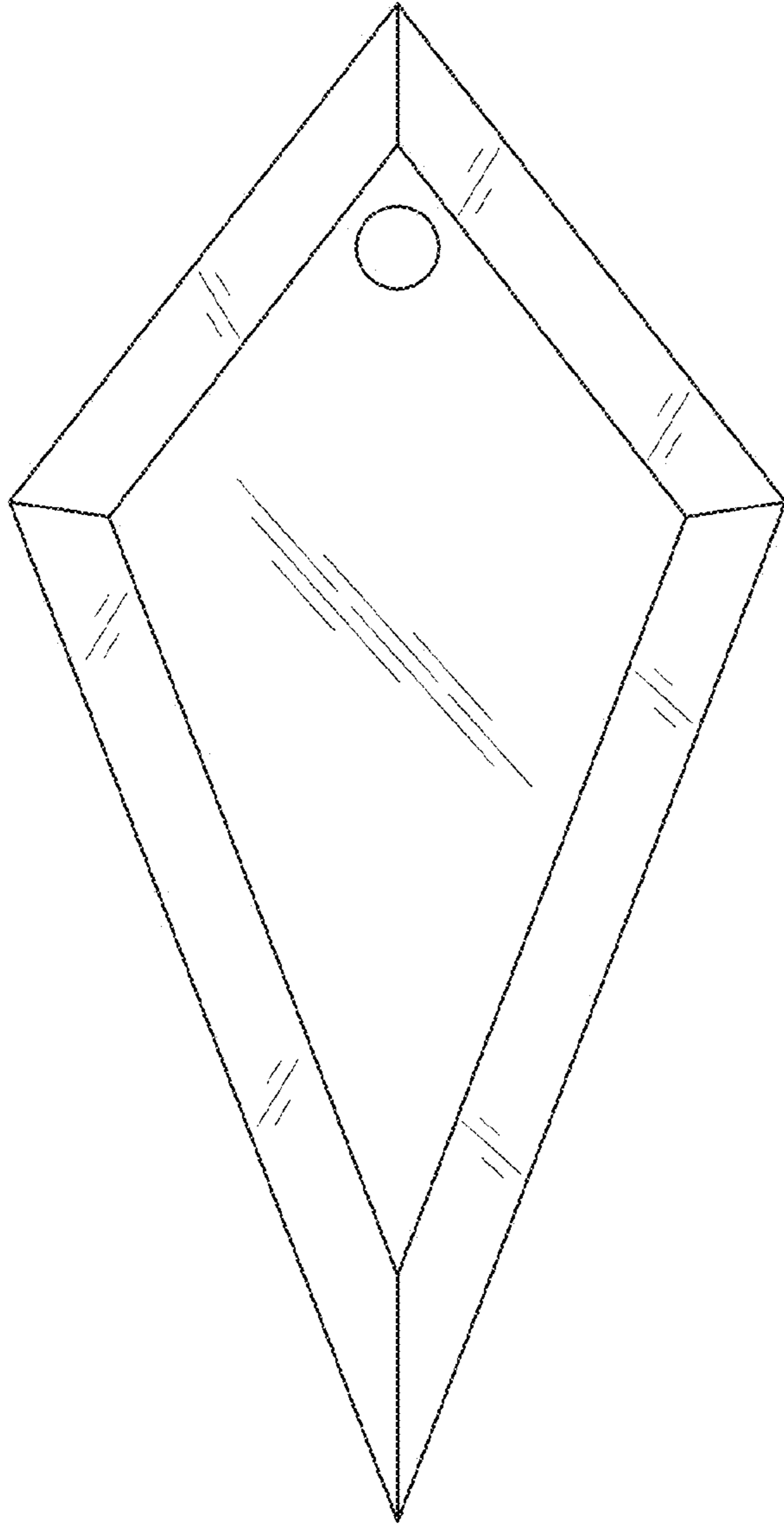


FIG. 2

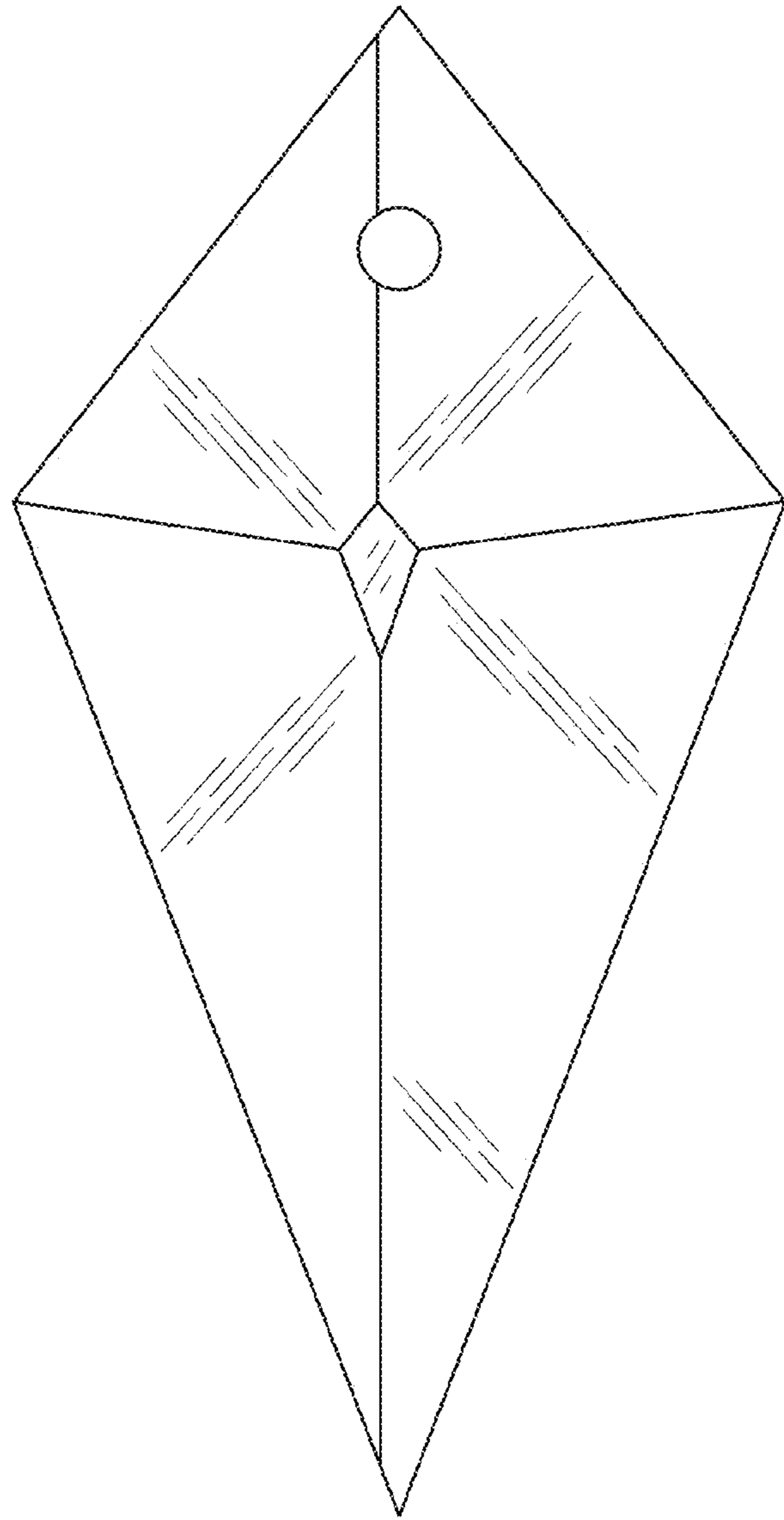


FIG. 3

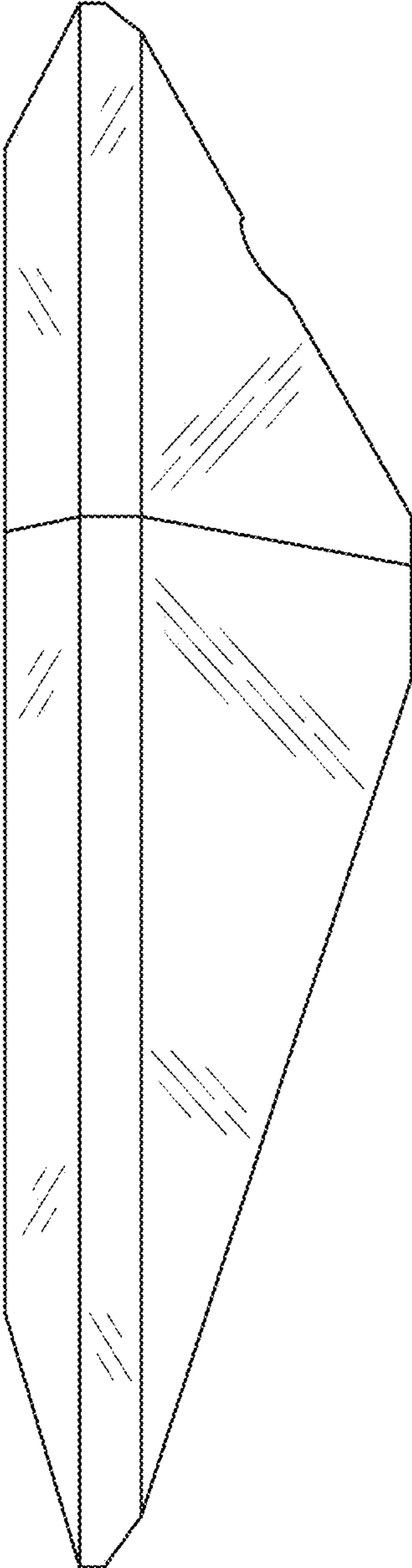


FIG. 4

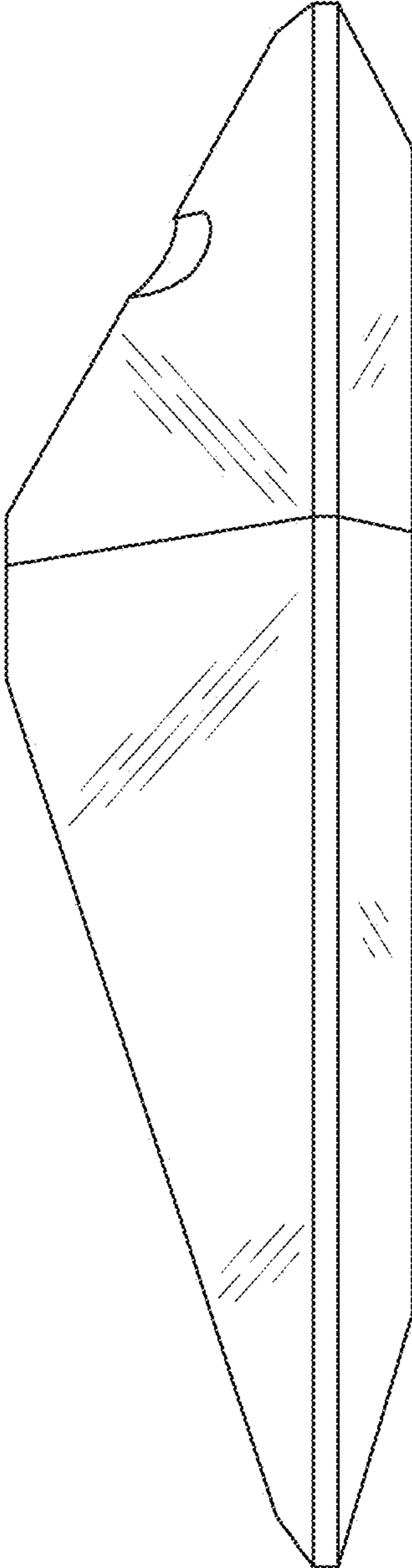


FIG. 5

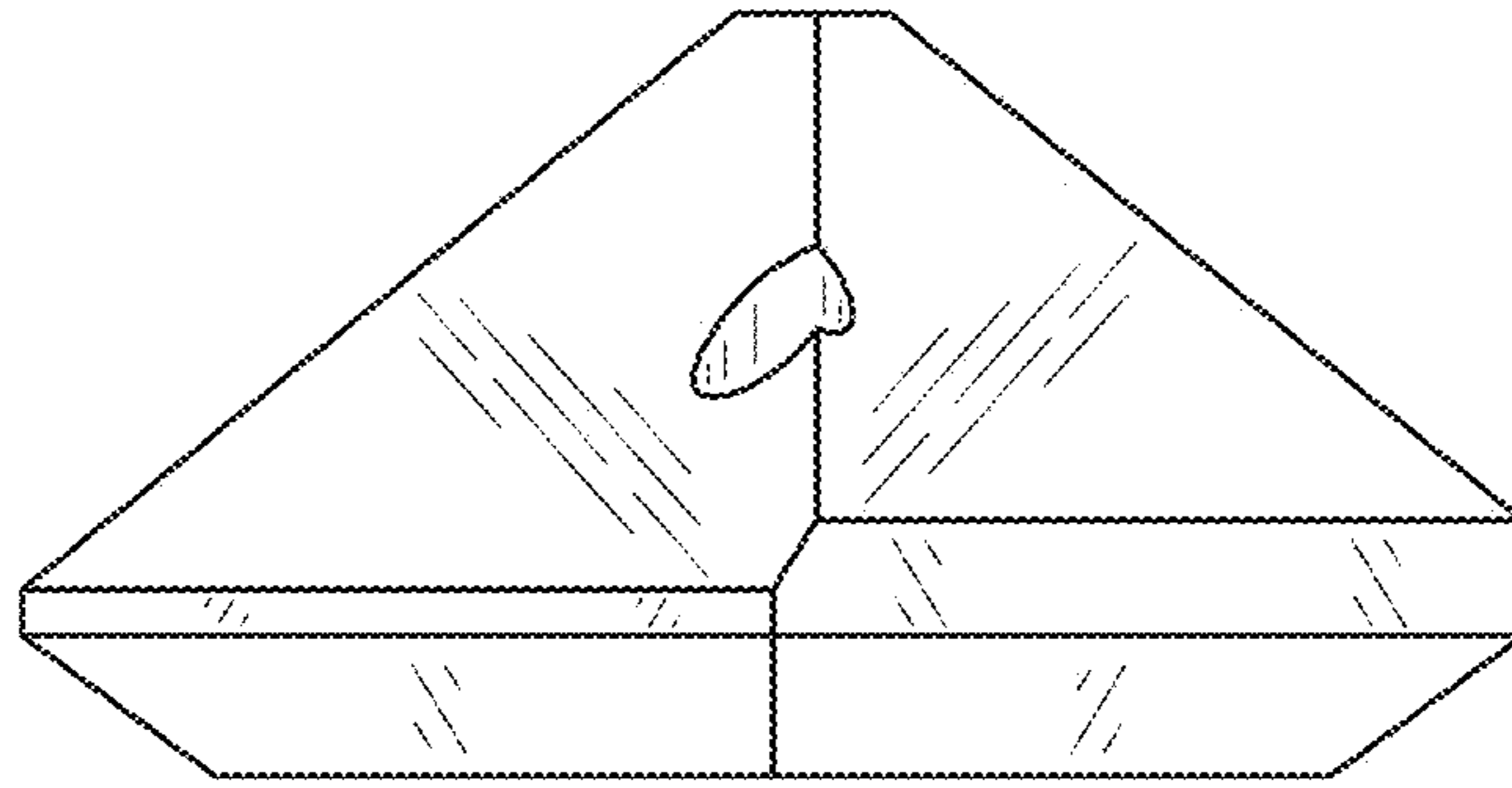


FIG. 6

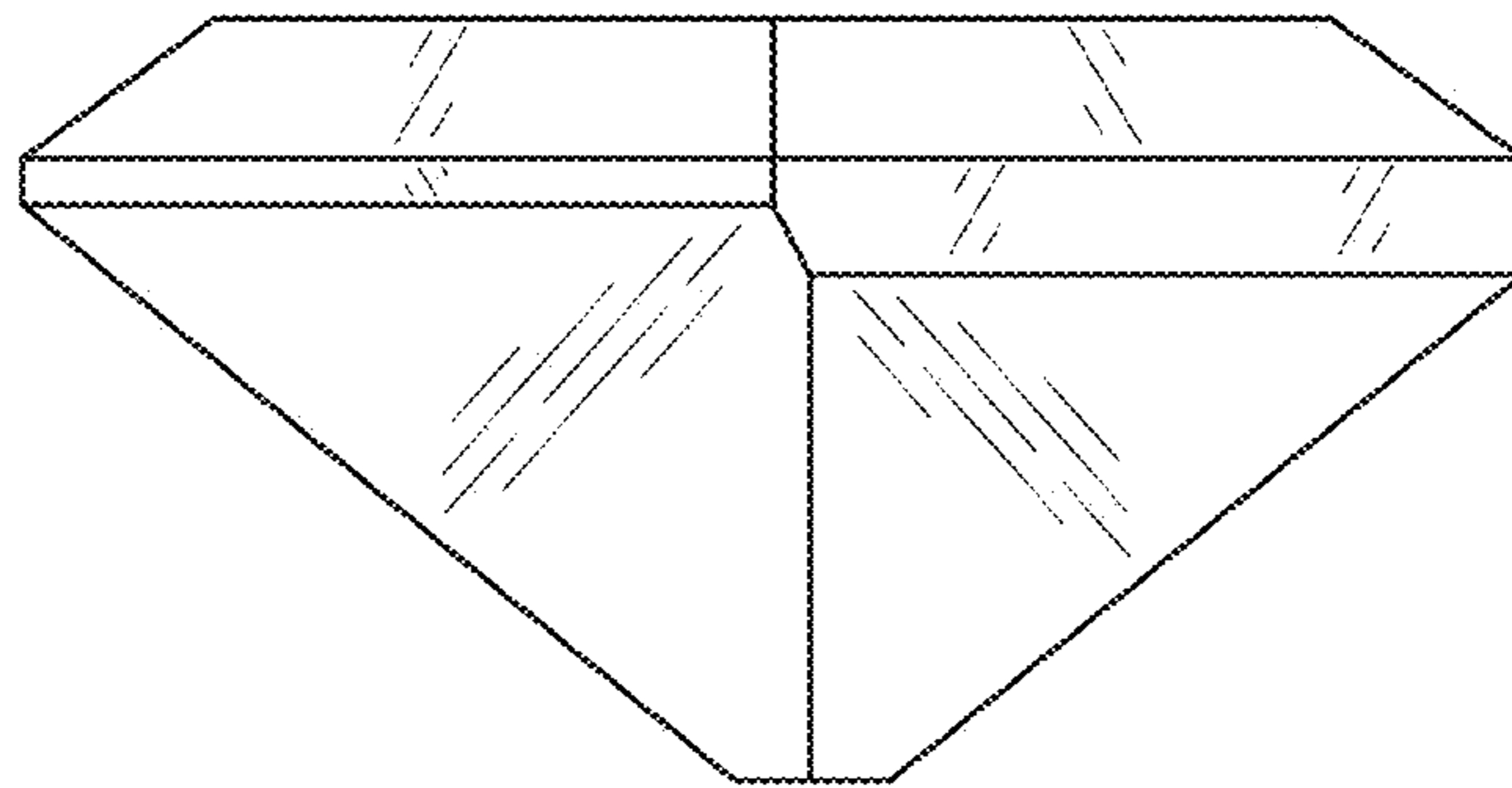


FIG. 7

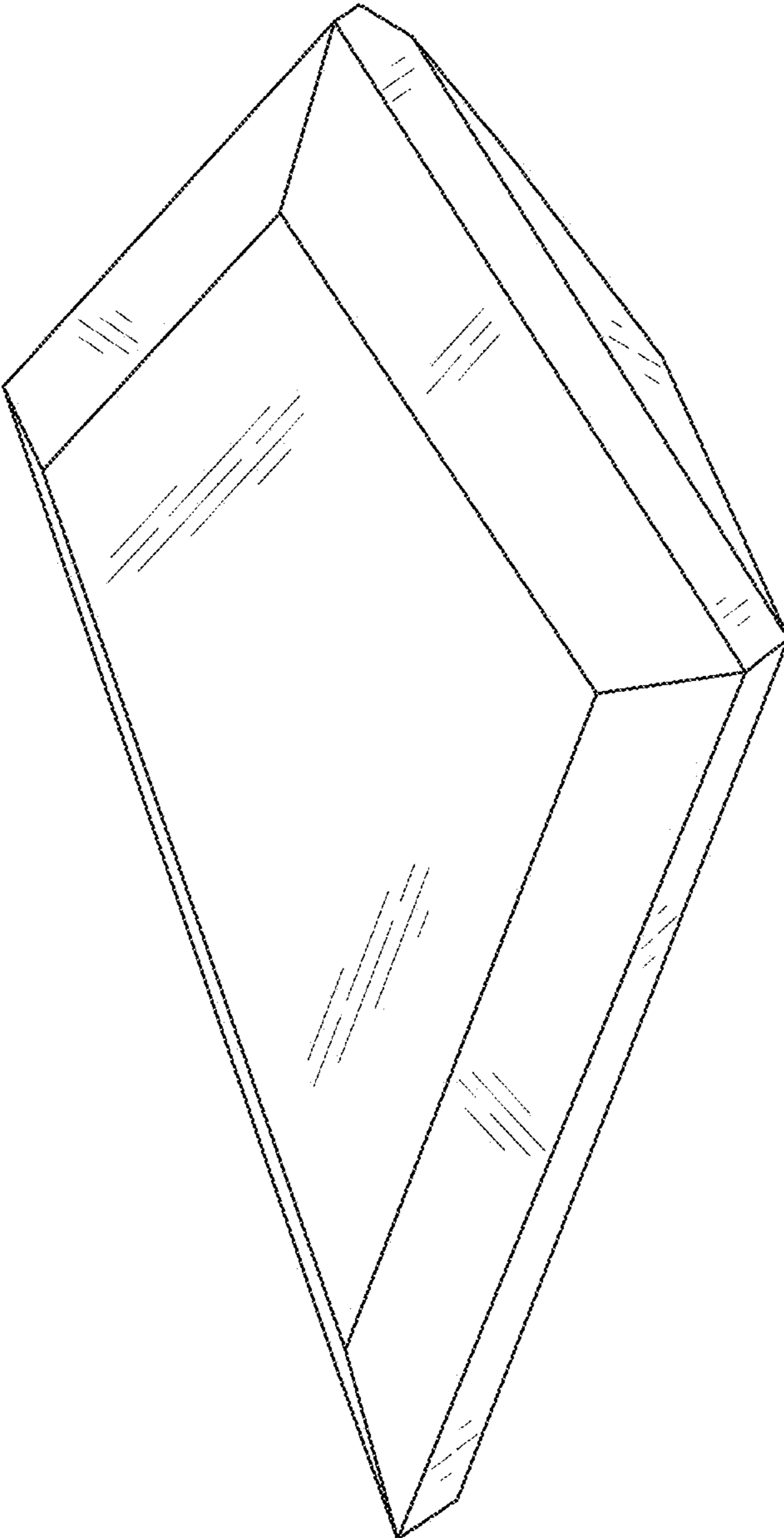


FIG. 8

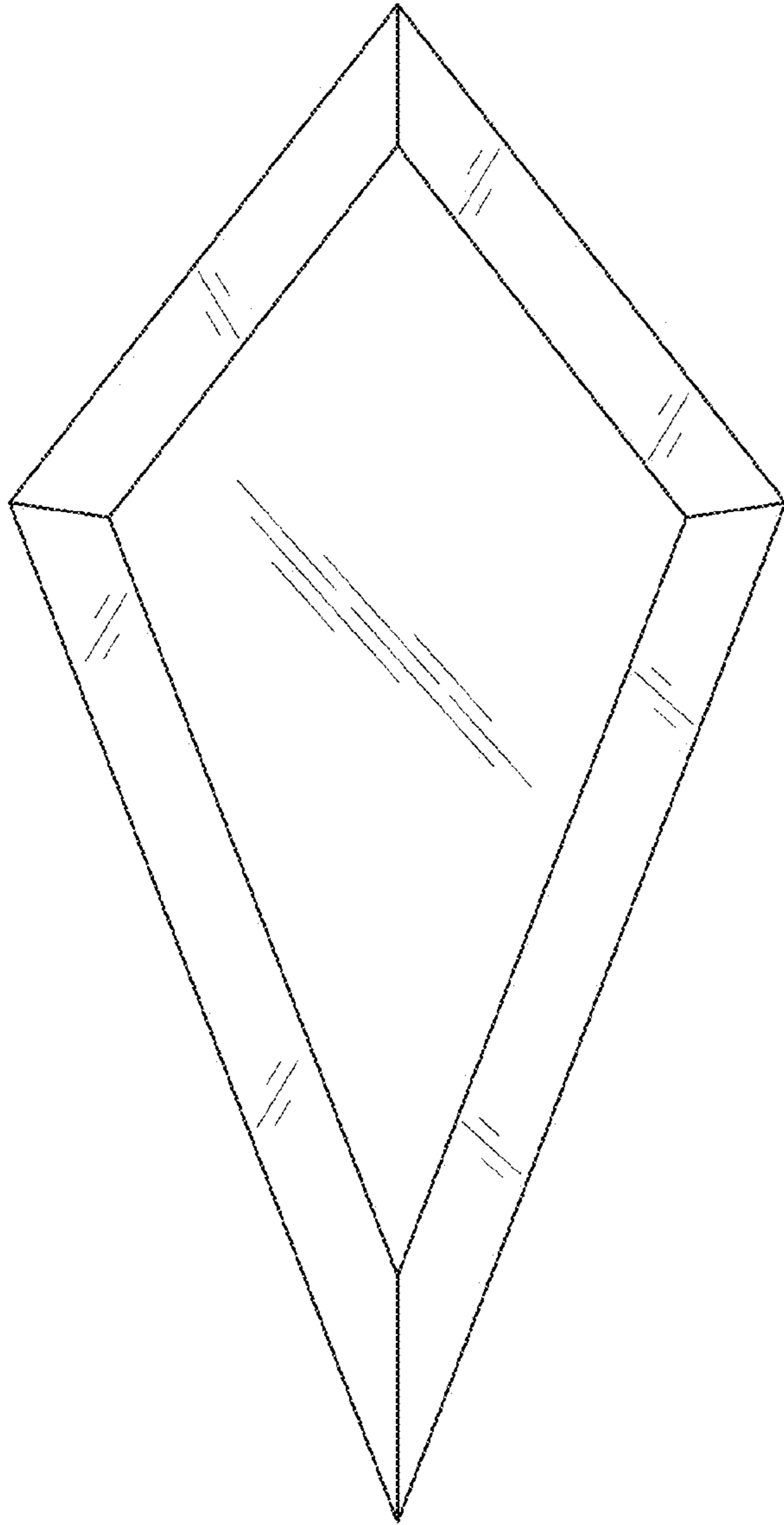


FIG. 9

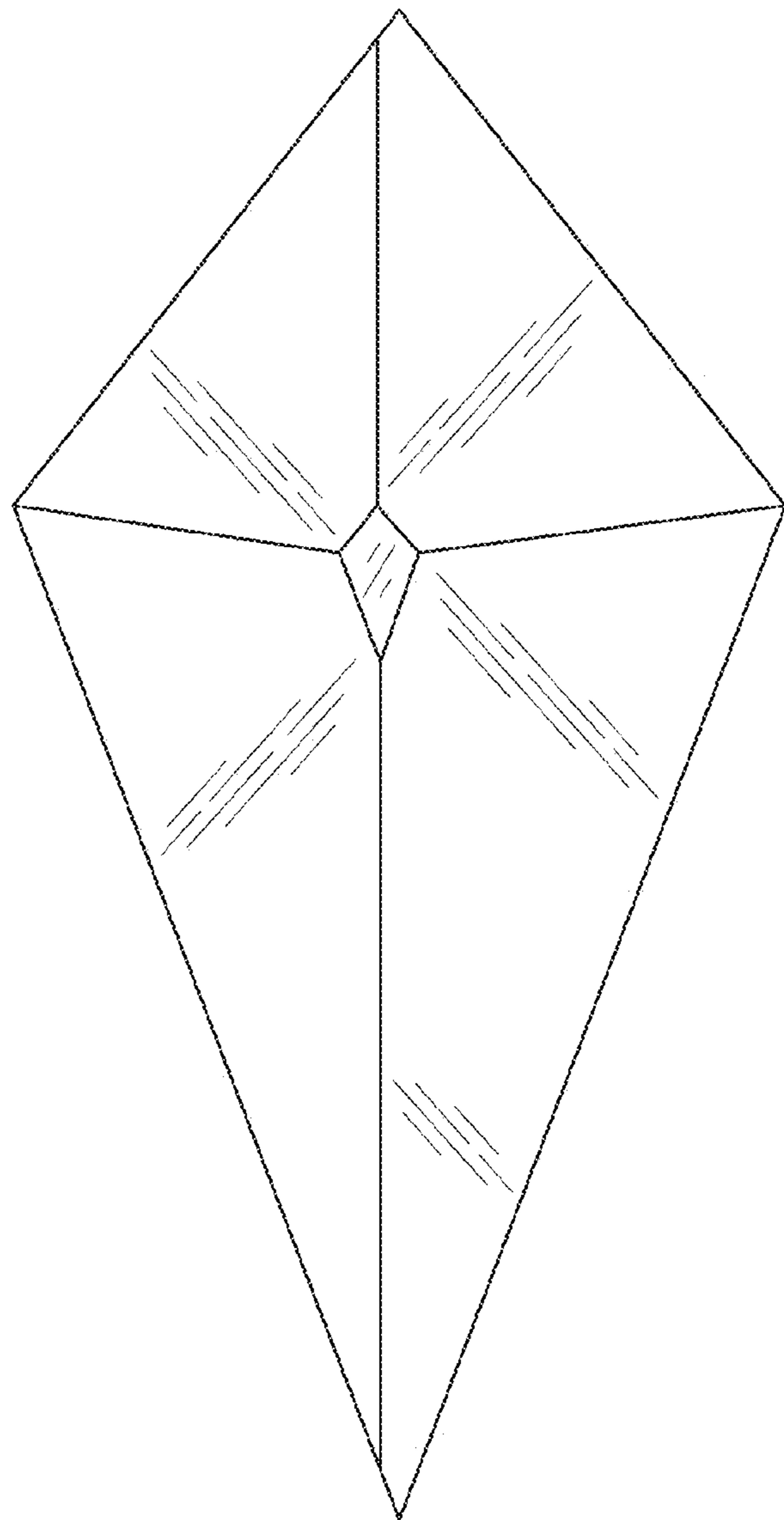


FIG. 10

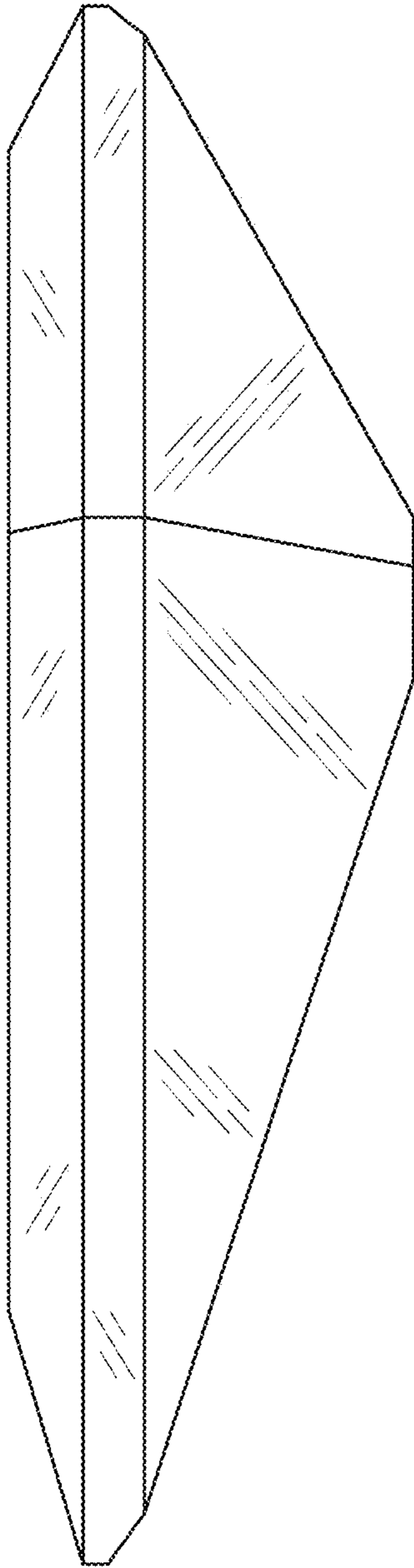


FIG. 11

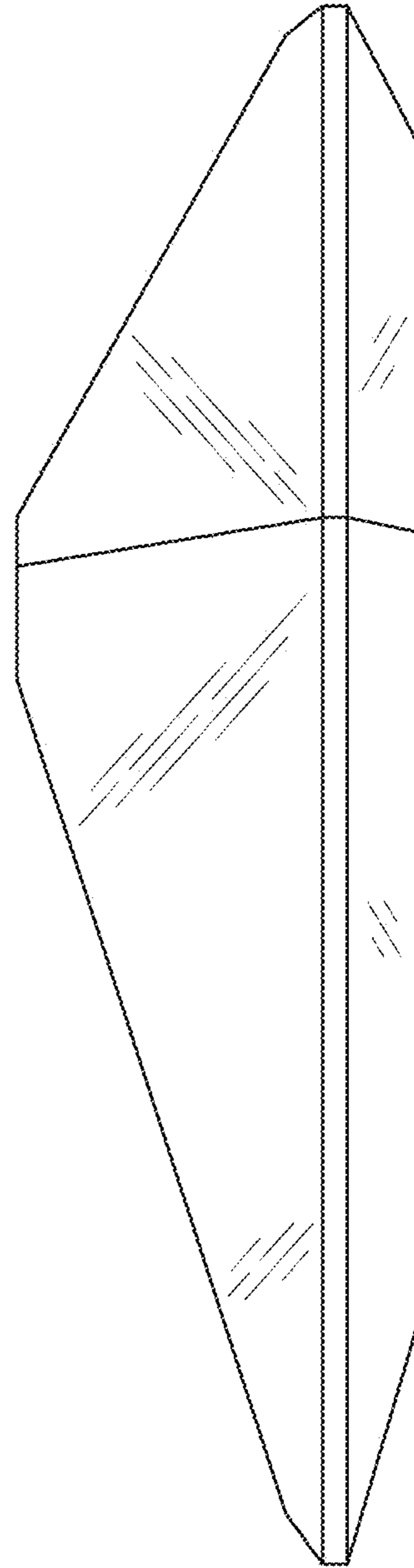


FIG. 12

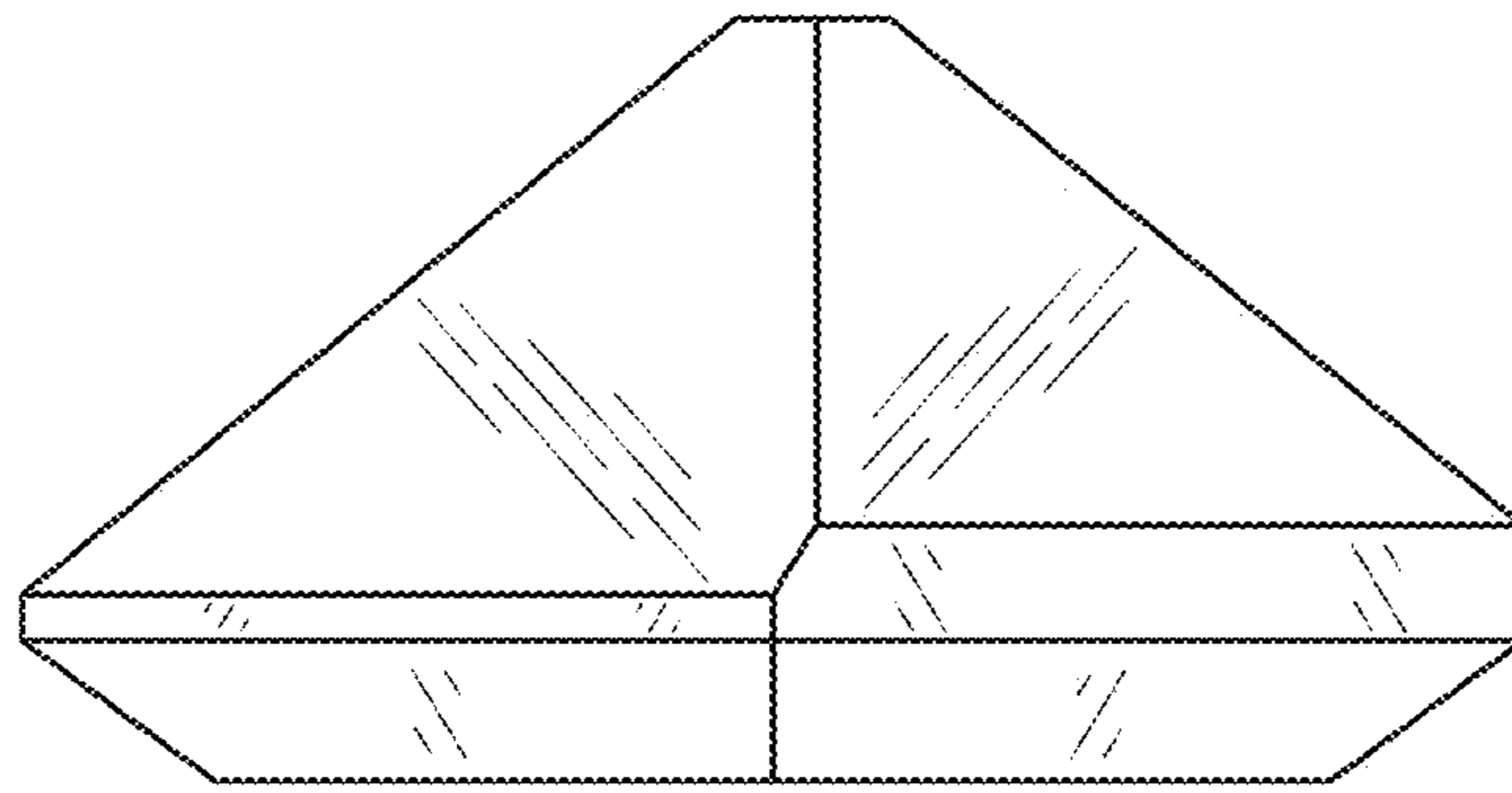


FIG. 13

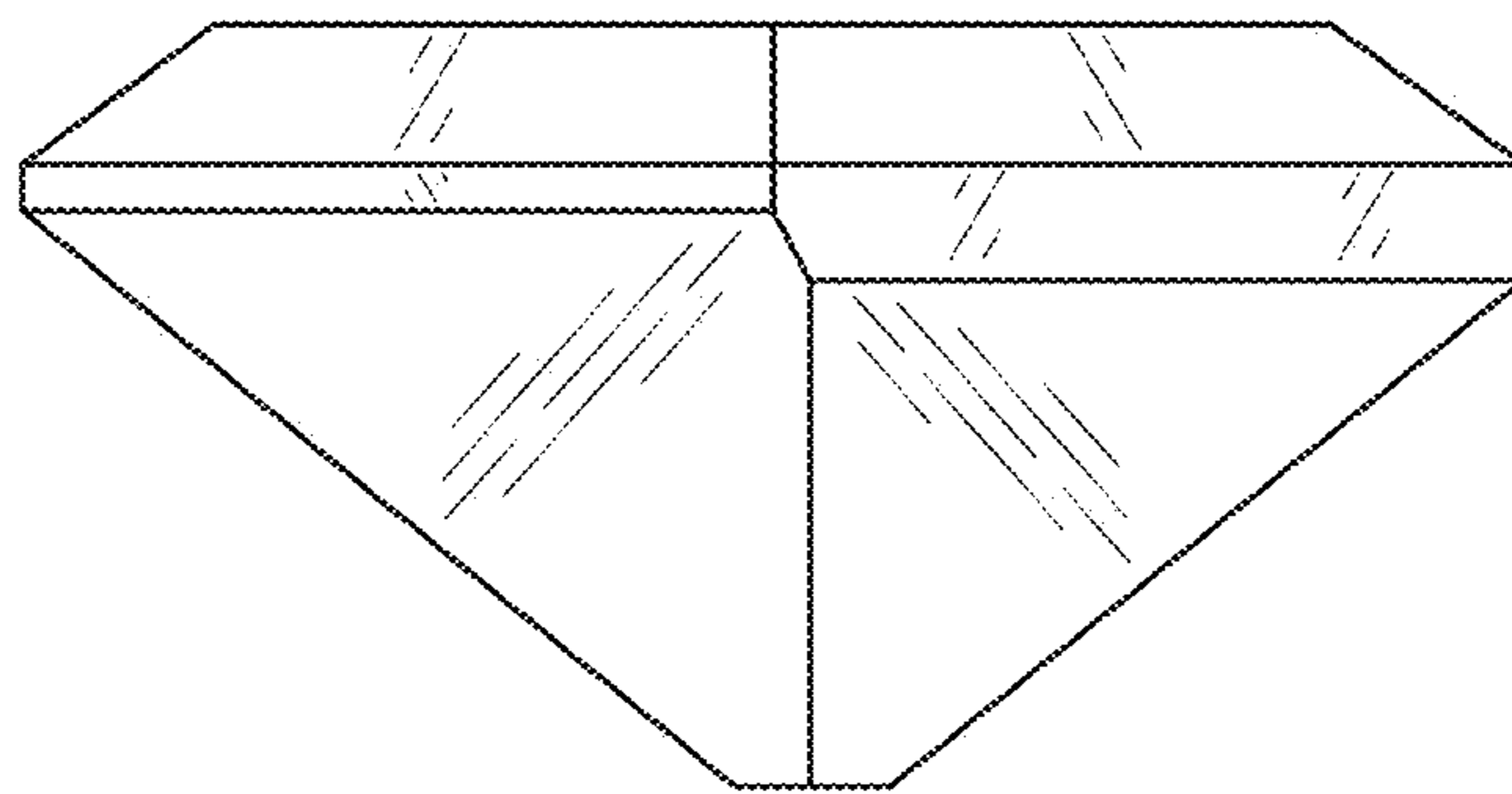


FIG. 14