



US00D969003S

(12) **United States Design Patent**
Zhou

(10) **Patent No.:** **US D969,003 S**

(45) **Date of Patent:** **** Nov. 8, 2022**

- (54) **RING**
- (71) Applicant: **Yao Zhou**, Deyang (CN)
- (72) Inventor: **Yao Zhou**, Deyang (CN)
- (**) Term: **15 Years**
- (21) Appl. No.: **29/817,422**
- (22) Filed: **Dec. 1, 2021**
- (51) **LOC (13) Cl.** **11-01**
- (52) **U.S. Cl.**
USPC **D11/26**
- (58) **Field of Classification Search**
USPC D11/1, 2, 3, 4, 7, 8, 26–39, 91, 92, 86,
D11/79–85; D14/344; D24/167
CPC A44C 9/00; A44C 9/0007; A44C 9/0014;
A44C 9/0023; A44C 9/003; A44C
9/0038; A44C 9/0046; A44C 9/0053;
A44C 9/0061; A44C 9/0069; A44C
9/0076; A44C 9/0084; A44C 9/0092;
A44C 9/02; A44C 1/00; A44C 3/00
See application file for complete search history.

- 7,017,369 B2 * 3/2006 Roberts-Shea A44C 17/0208
63/3
- D743,831 S * 11/2015 Yatsugi-Kang D11/34
- D813,077 S * 3/2018 Noble A44C 17/0258
D11/26
- D813,707 S * 3/2018 Bonner D11/26
- D902,070 S * 11/2020 Liberman D11/26
- D922,238 S 6/2021 Wachtmeister
- 11,103,034 B2 * 8/2021 Surana A44C 9/02
- D947,057 S * 3/2022 Abdourahim D11/34
- 2018/0228256 A1 * 8/2018 Dekwiatkowski ... A44C 15/004
- 2020/0163423 A1 * 5/2020 Nelson A44C 5/0015

OTHER PUBLICATIONS

[Online] “Ross-Simons Italian Black Onyx . . . ” https://www.amazon.com/Ross-Simons-Italian-Black-Lapis-Sterling/dp/B09BQXXP4X/ref=sr_1_5?crd=3W59QMG4W1C49&keywords=flip+ring&qid=1659155846&sprefix=flip+ring%2Caps%2C84&sr=8-5. Retrieved Jul. 30, 2022. Posted Aug. 3, 2021.*

* cited by examiner

Primary Examiner — Melanie Pellegrini

(57) **CLAIM**

The ornamental design for ring, substantially as shown and described.

DESCRIPTION

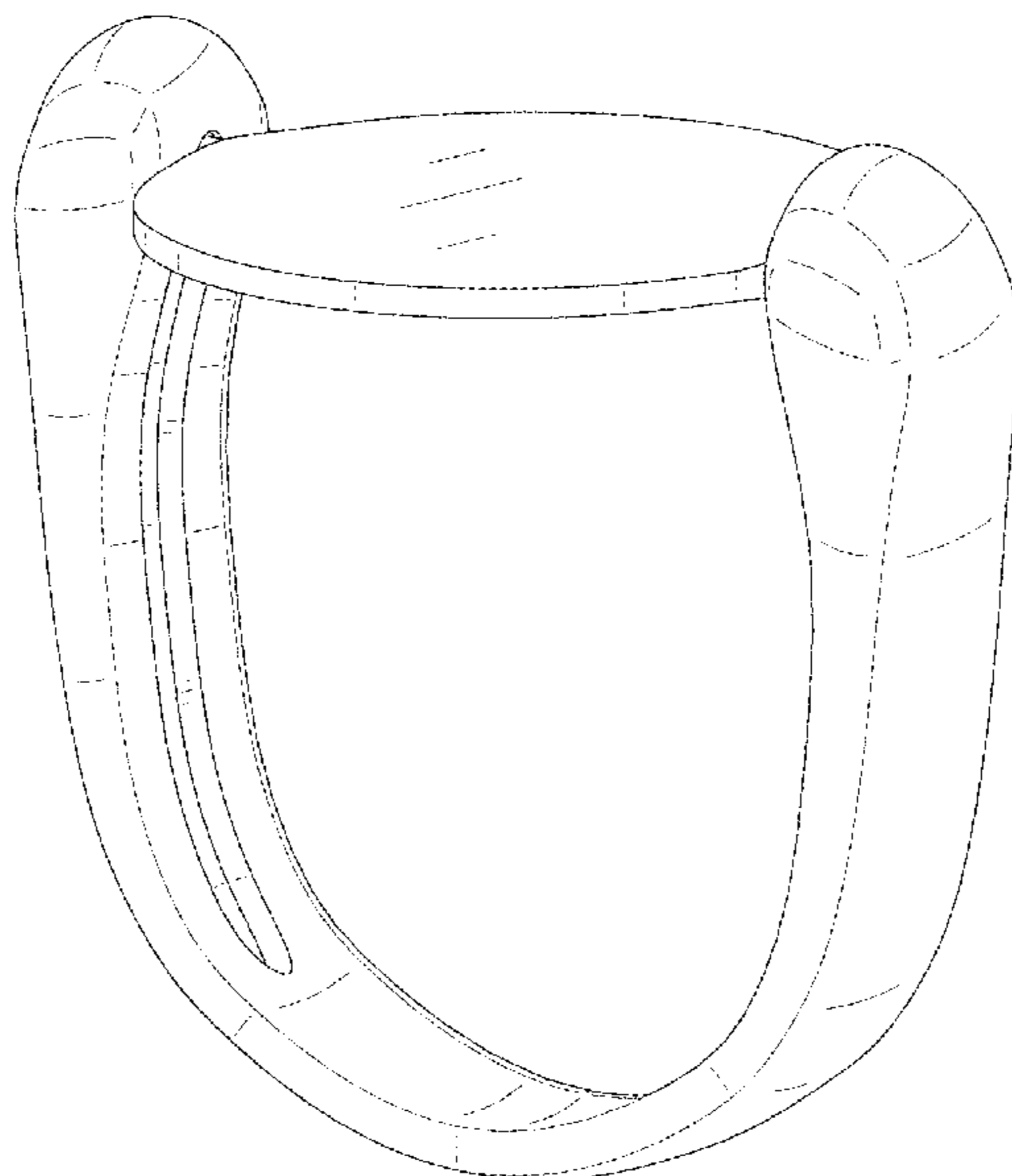
FIG. 1 is a top, front and right side perspective view of ring, showing my new design;
FIG. 2 is a bottom, rear and left side perspective view thereof;
FIG. 3 is a front elevational view thereof;
FIG. 4 is a rear elevational view thereof;
FIG. 5 is a left side elevational view thereof;
FIG. 6 is a right side elevational view thereof;
FIG. 7 is a top plan view thereof; and,
FIG. 8 is a bottom plan view thereof.

1 Claim, 8 Drawing Sheets

(56) **References Cited**

U.S. PATENT DOCUMENTS

- 3,959,989 A * 6/1976 Bhandia A44C 17/0258
446/244
- 4,726,200 A * 2/1988 Carter A44C 17/0258
63/15
- D304,912 S * 12/1989 Wood D11/30
- 4,977,757 A * 12/1990 Mesica A44C 9/00
63/29.1
- 5,165,257 A * 11/1992 Corenblith A44C 15/001
63/15
- 5,433,090 A * 7/1995 Santiago A44C 17/0225
63/29.1
- 5,946,943 A * 9/1999 Hanson A44C 17/0216
63/29.1
- D494,494 S * 8/2004 Minasian D11/26



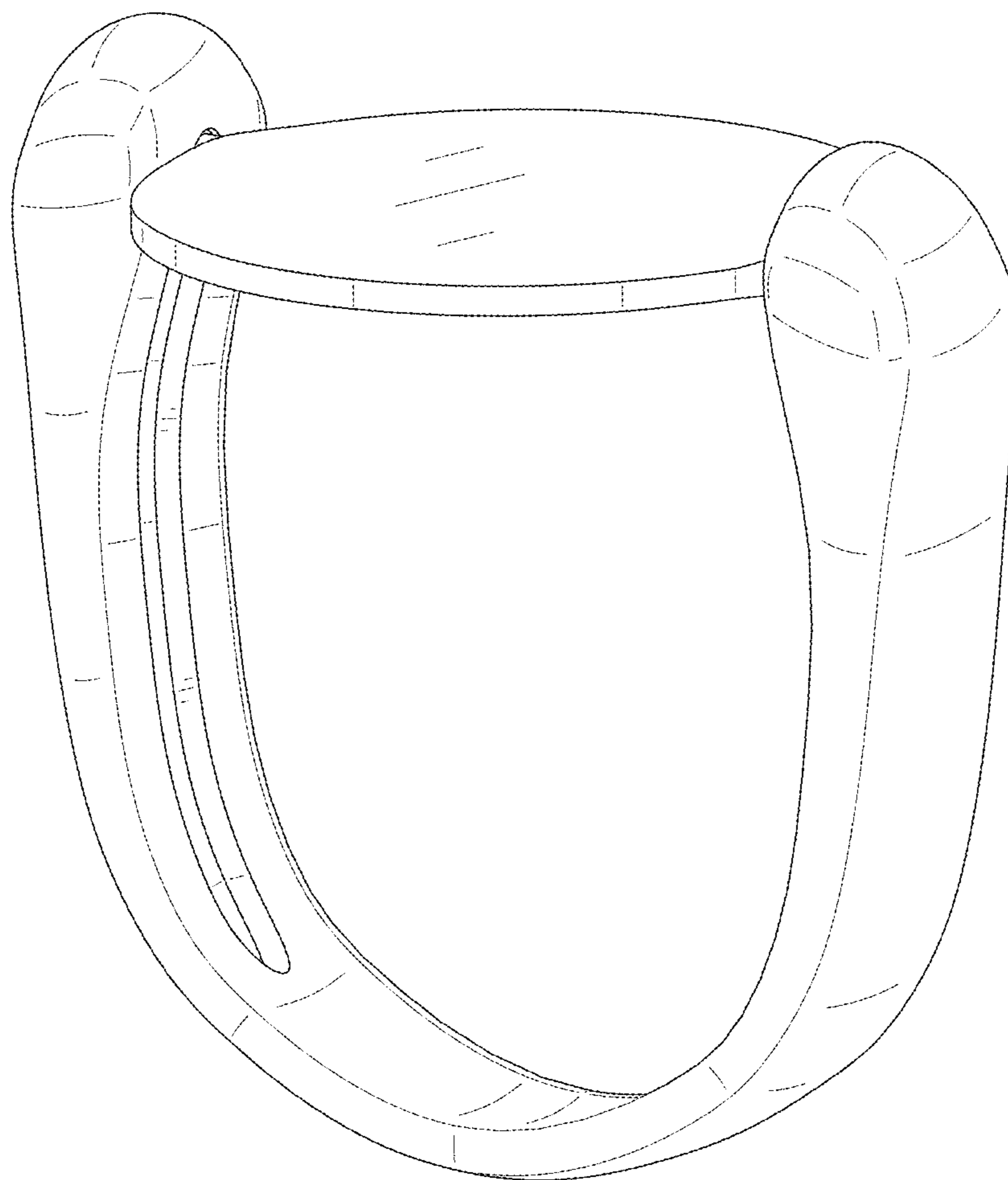


FIG. 1

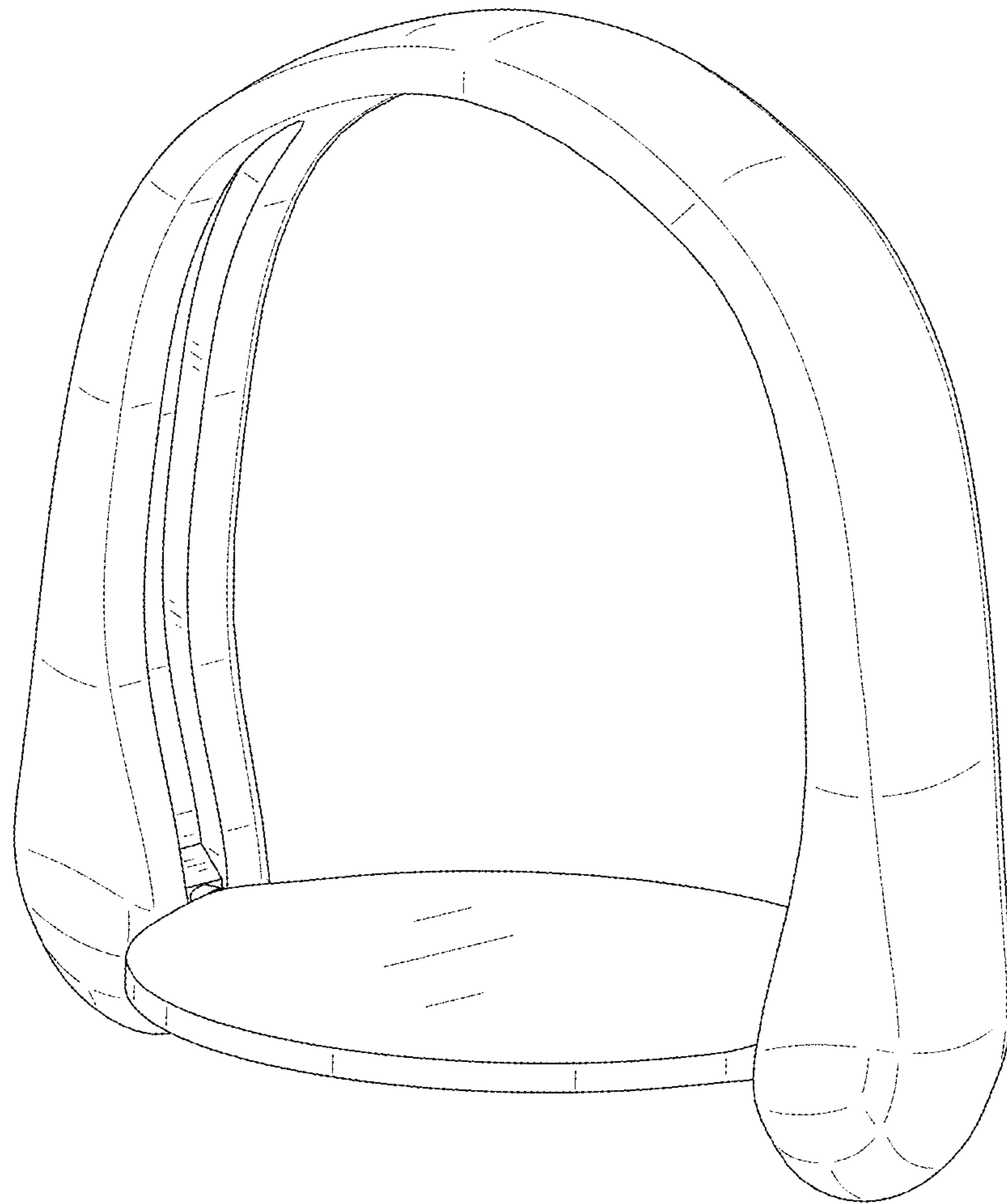


FIG. 2

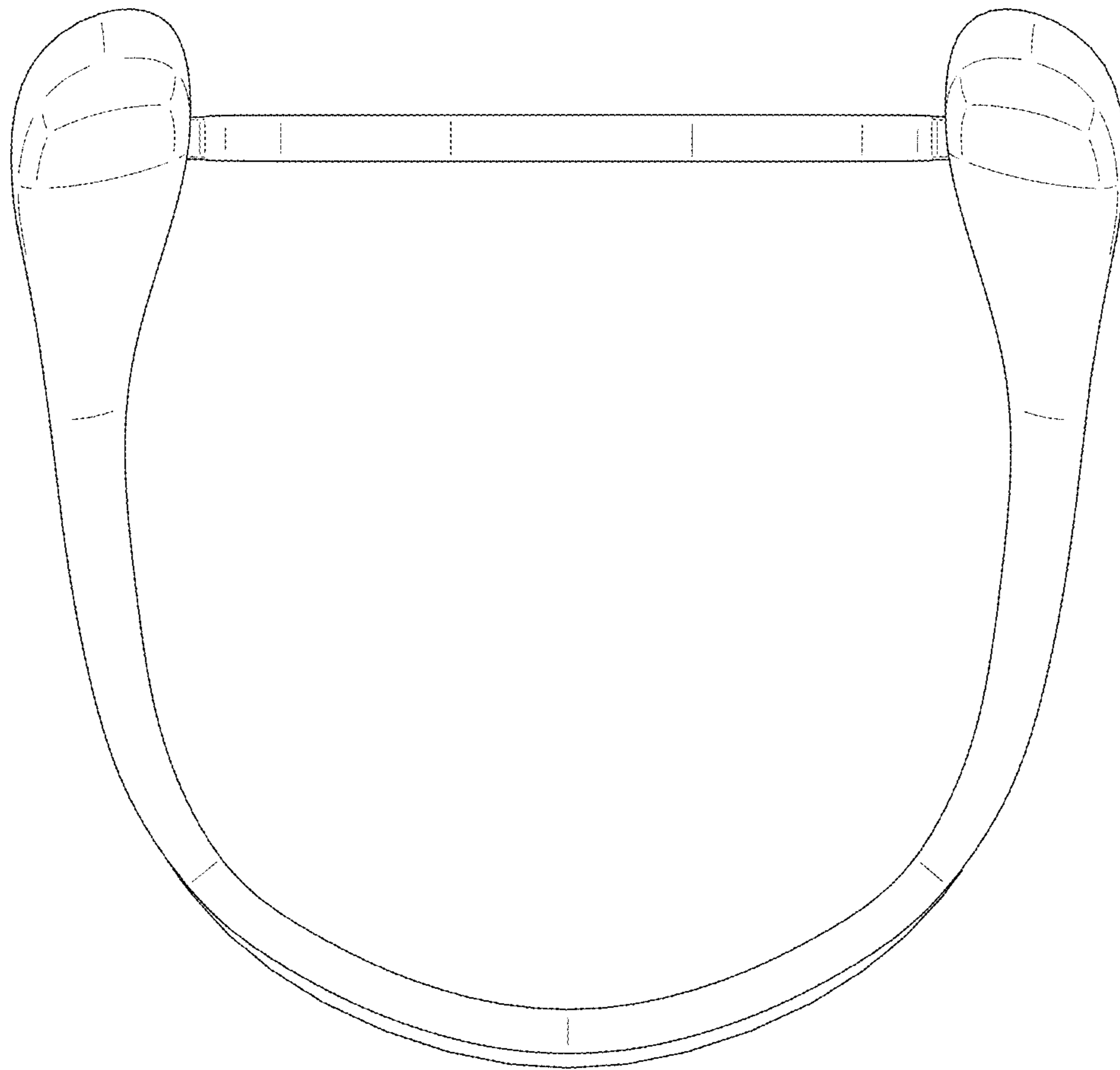


FIG. 3

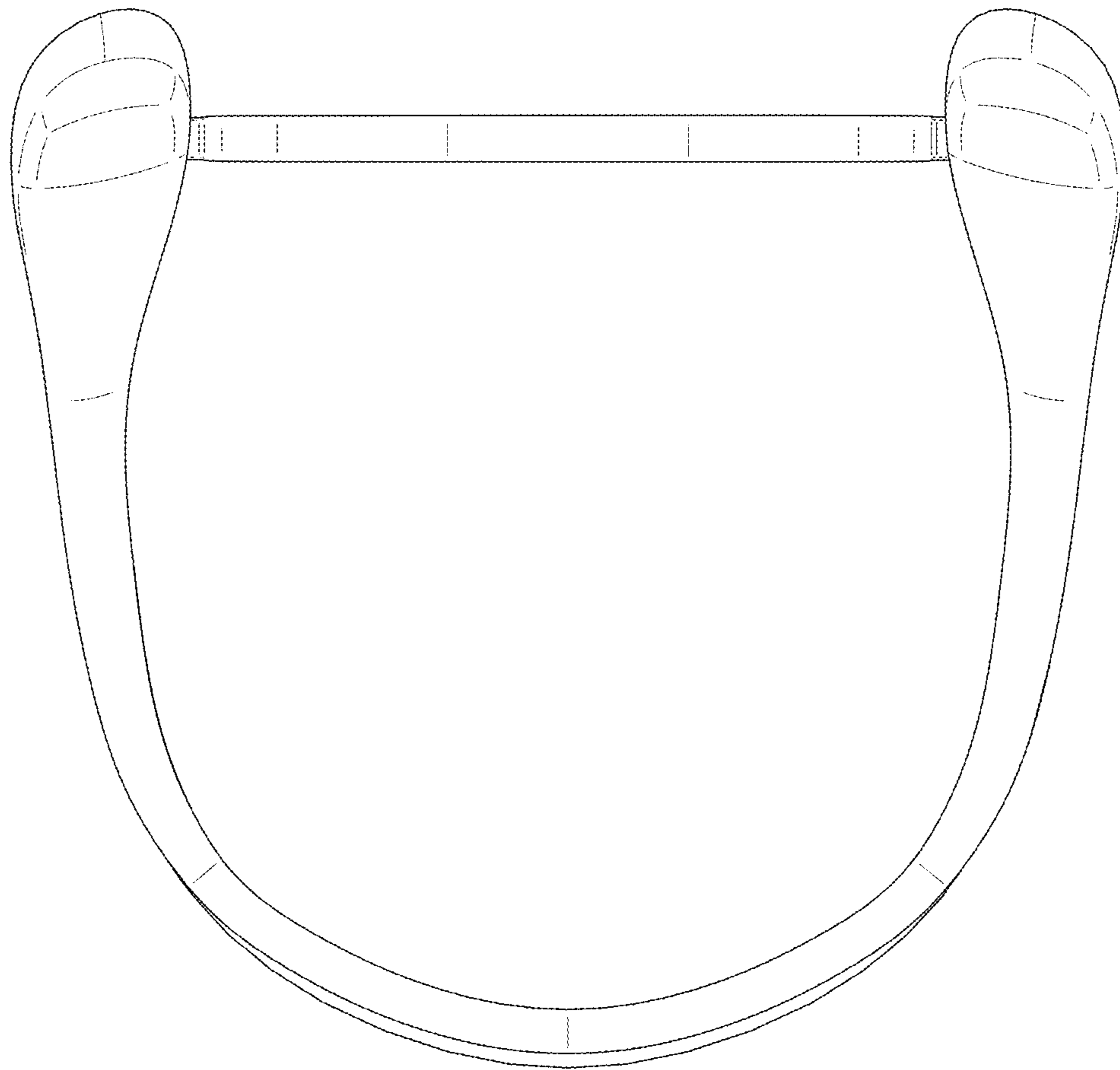


FIG. 4

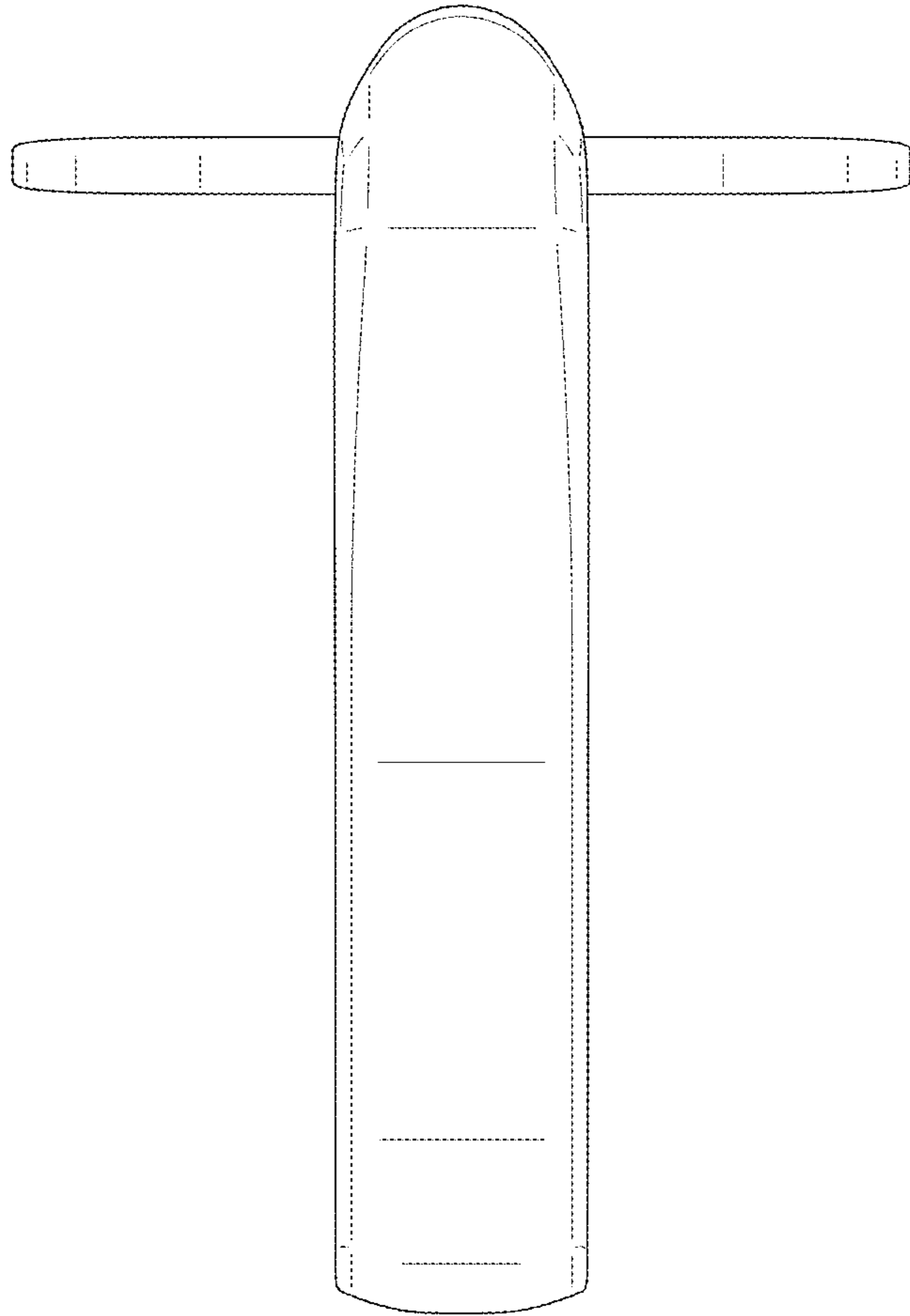


FIG. 5

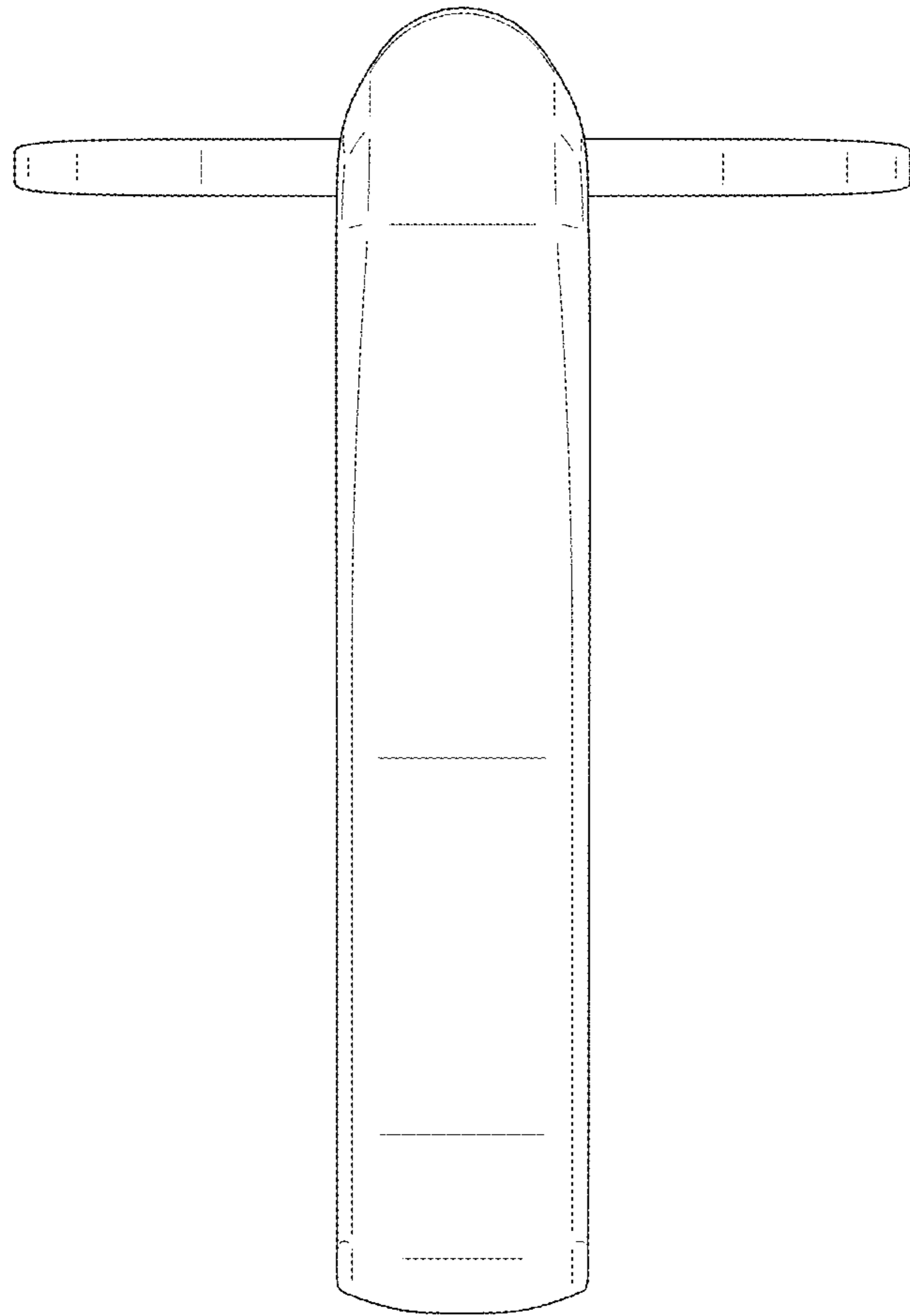


FIG. 6

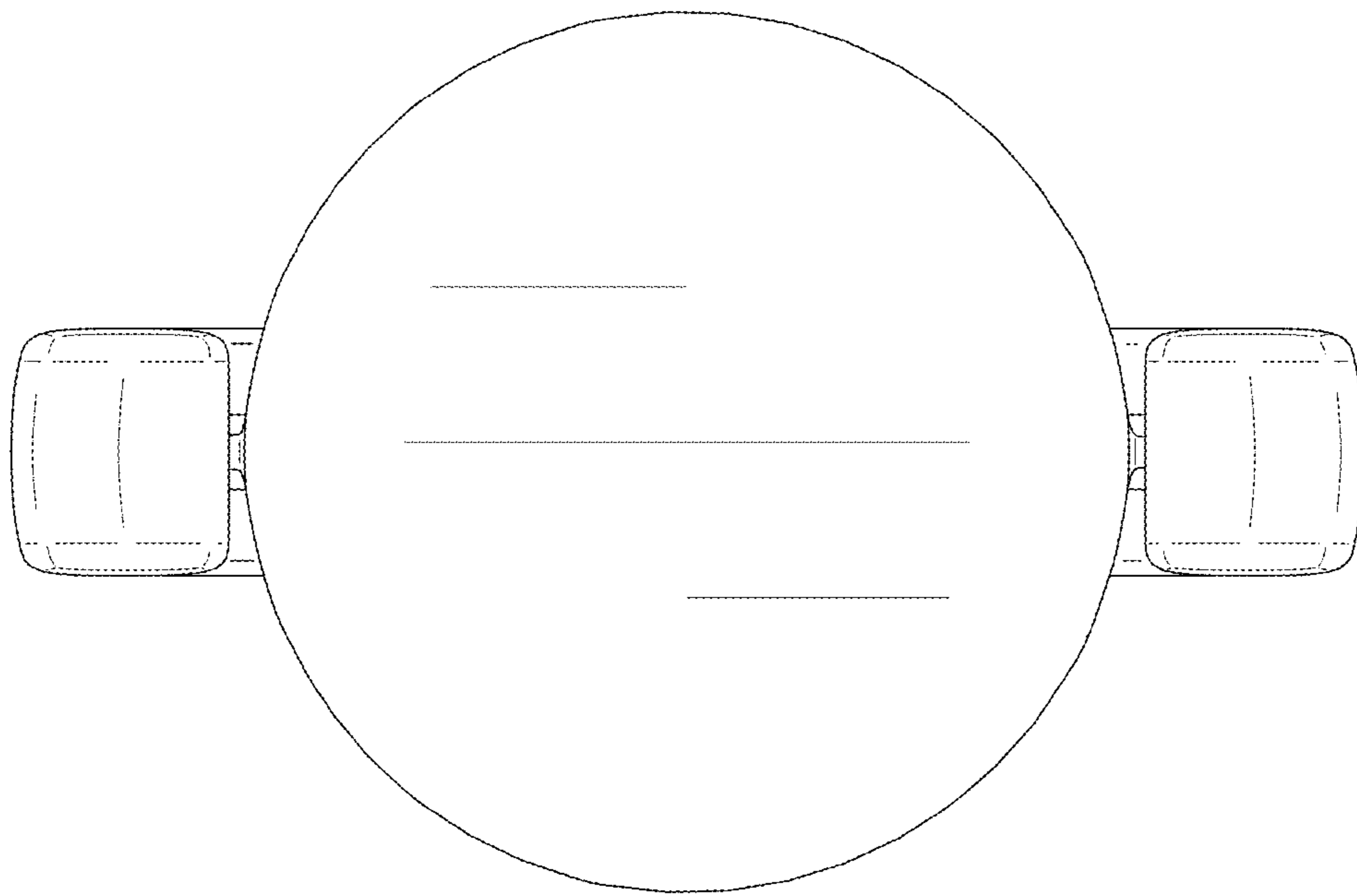


FIG. 7

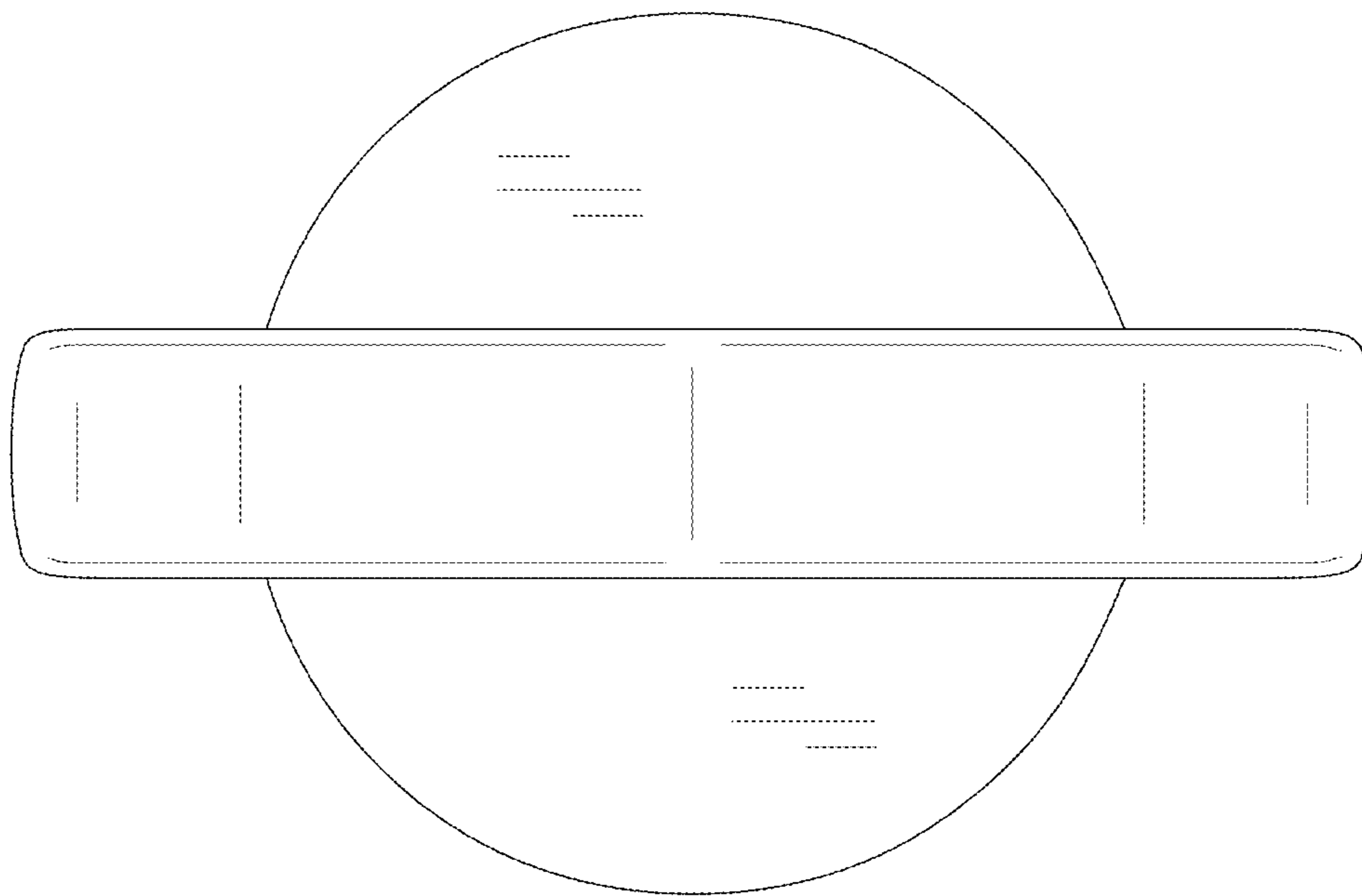


FIG. 8