



US00D968999S

(12) **United States Design Patent** (10) **Patent No.:** **US D968,999 S**
Peng (45) **Date of Patent:** **** Nov. 8, 2022**

(54) **WATCHBAND**

(71) Applicant: **Shenzhen Xinruizhan Science and Technology Co., Ltd., Shenzhen (CN)**

(72) Inventor: **Qianxia Peng, Shenzhen (CN)**

(**) Term: **15 Years**

(21) Appl. No.: **29/802,253**

(22) Filed: **Aug. 4, 2021**

(51) **LOC (13) Cl.** **11-01**

(52) **U.S. Cl.**
USPC **D11/3**

(58) **Field of Classification Search**
USPC D11/1-5; D10/32, 38; D14/344
CPC ... A44C 5/0007; A44C 5/0015; A44C 5/0053;
A44C 5/12; A44C 5/14; A44C 5/147;
A44C 5/16
See application file for complete search history.

(56) **References Cited**

U.S. PATENT DOCUMENTS

D72,496 S * 4/1927 Sabin D11/3
D126,086 S * 3/1941 Bayan D11/3
D136,558 S * 10/1943 Searer D11/3
D255,017 S * 5/1980 Hofman D11/3
D860,033 S * 9/2019 Quan D11/3
D921,516 S 6/2021 Ouyang

D944,514 S * 3/2022 Anthony D11/3
D955,257 S * 6/2022 Huang D11/3
2020/0031029 A1* 1/2020 Francois A44C 5/0007

* cited by examiner

Primary Examiner — Llorelys Martinez

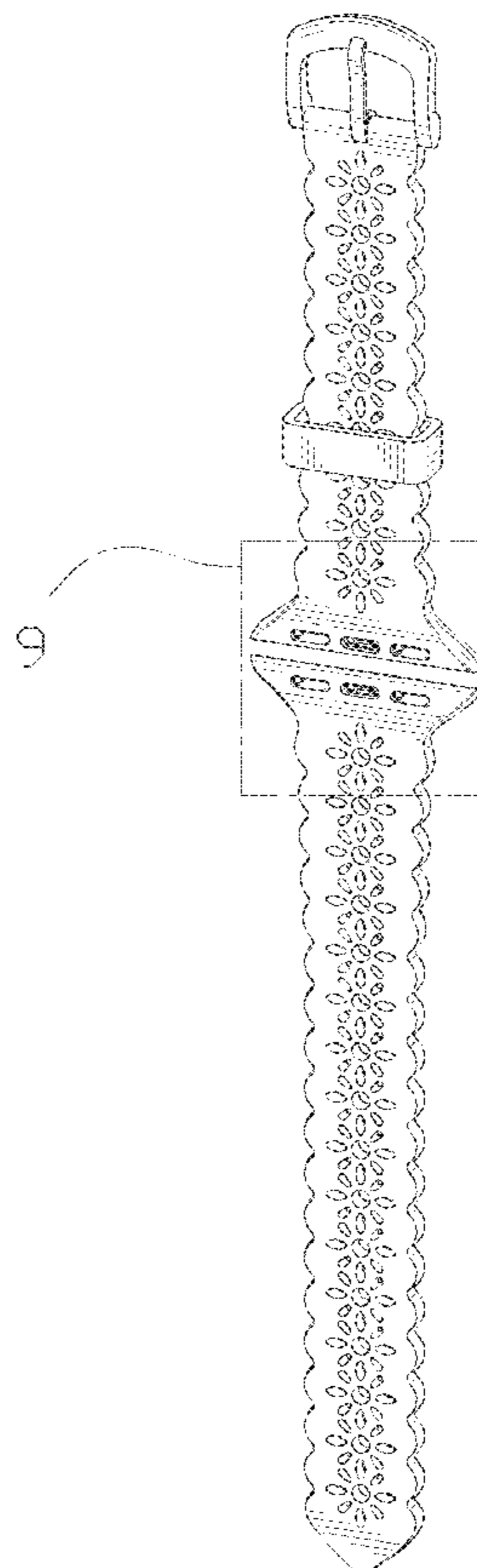
(57) **CLAIM**

The ornamental design for a watchband, as shown and described.

DESCRIPTION

FIG. 1 is a front and top perspective view of a watchband, showing my new design;
FIG. 2 is a rear and bottom perspective view thereof;
FIG. 3 is a front elevation view thereof;
FIG. 4 is a rear elevation view thereof;
FIG. 5 is a left side elevation view thereof;
FIG. 6 is a right side elevation view thereof;
FIG. 7 is a top plan view thereof;
FIG. 8 is a bottom plan view thereof;
FIG. 9 is an enlarged view thereof, taken from encircled portion 9 in FIG. 1; and,
FIG. 10 is an enlarged view thereof, taken from encircled portion 10 in FIG. 2.
The dot-dash-dot broken lines in FIGS. 1, 2, 9 and 10 are included to show a partially enlarged views only and form no part of the claimed design.

1 Claim, 10 Drawing Sheets



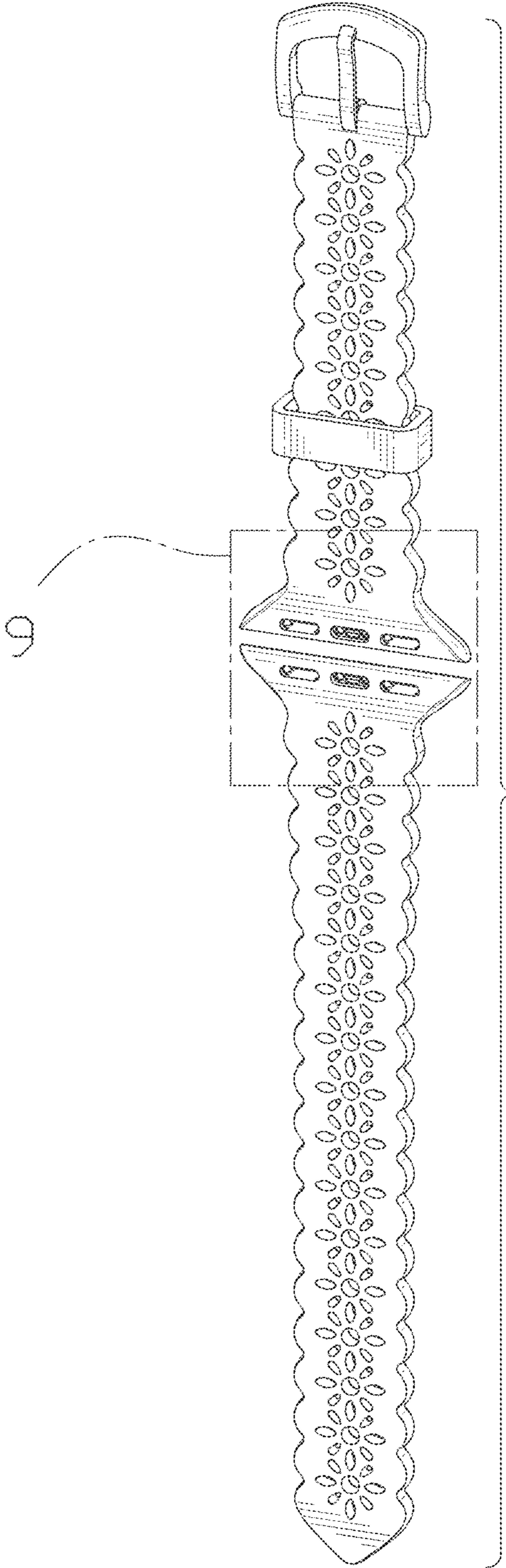


FIG. 1

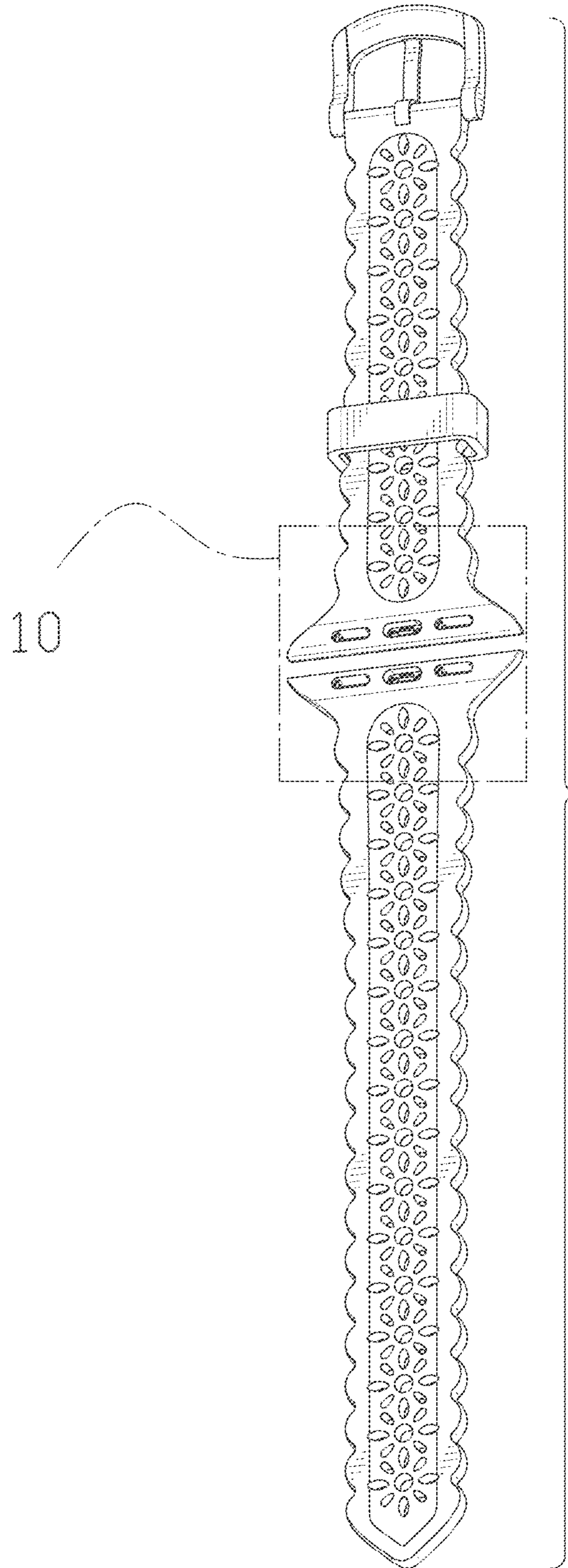


FIG. 2

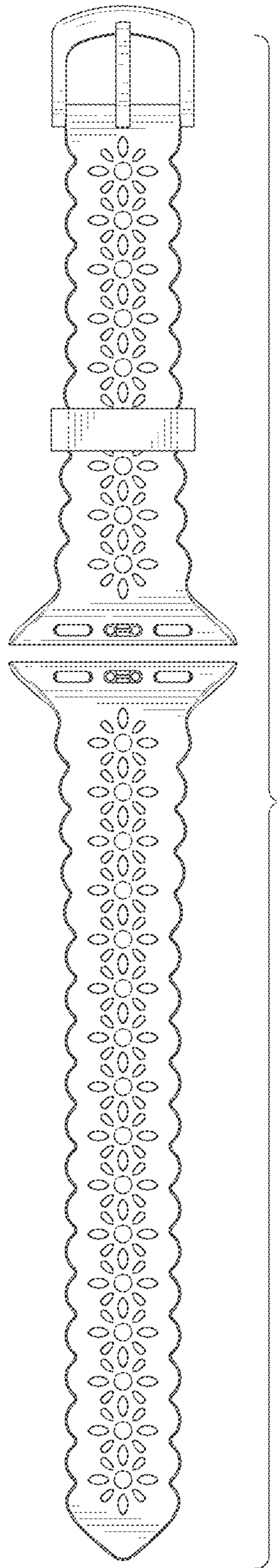


FIG. 3

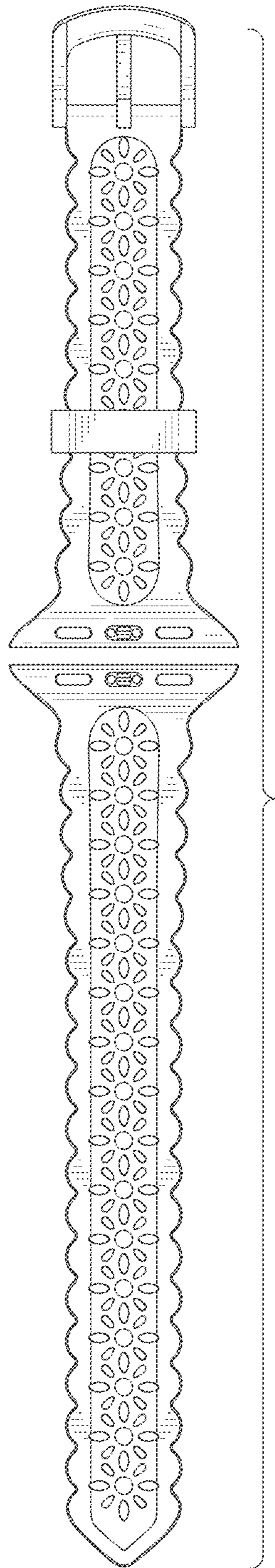


FIG. 4

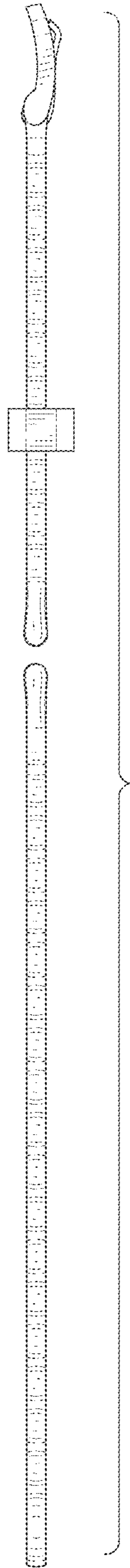


FIG. 5

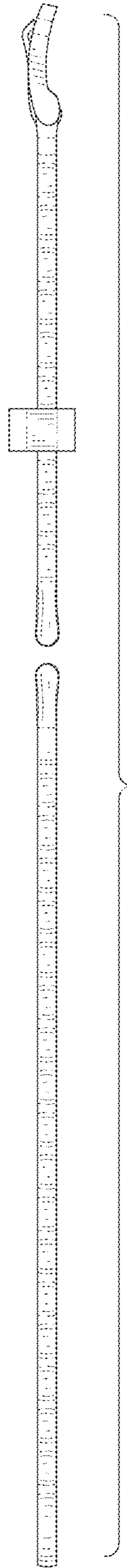


FIG. 6

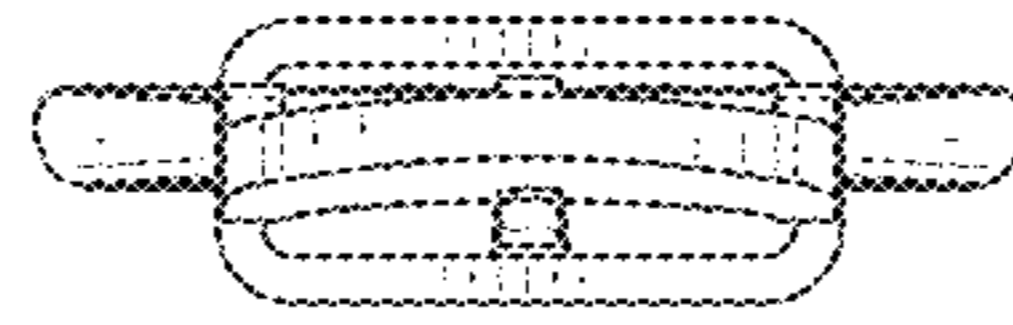


FIG. 7

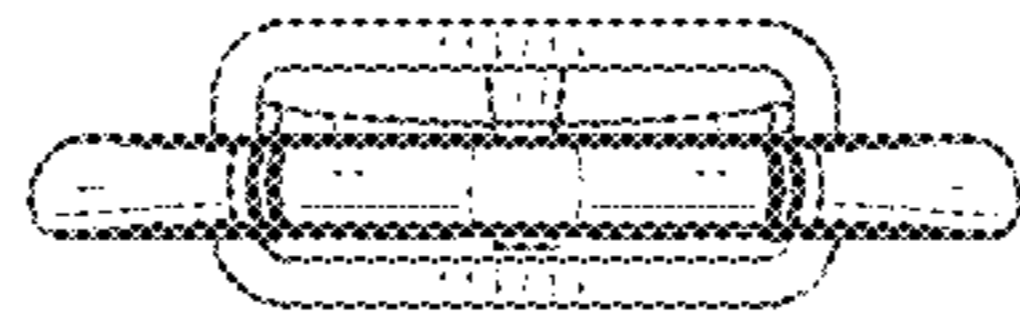


FIG. 8

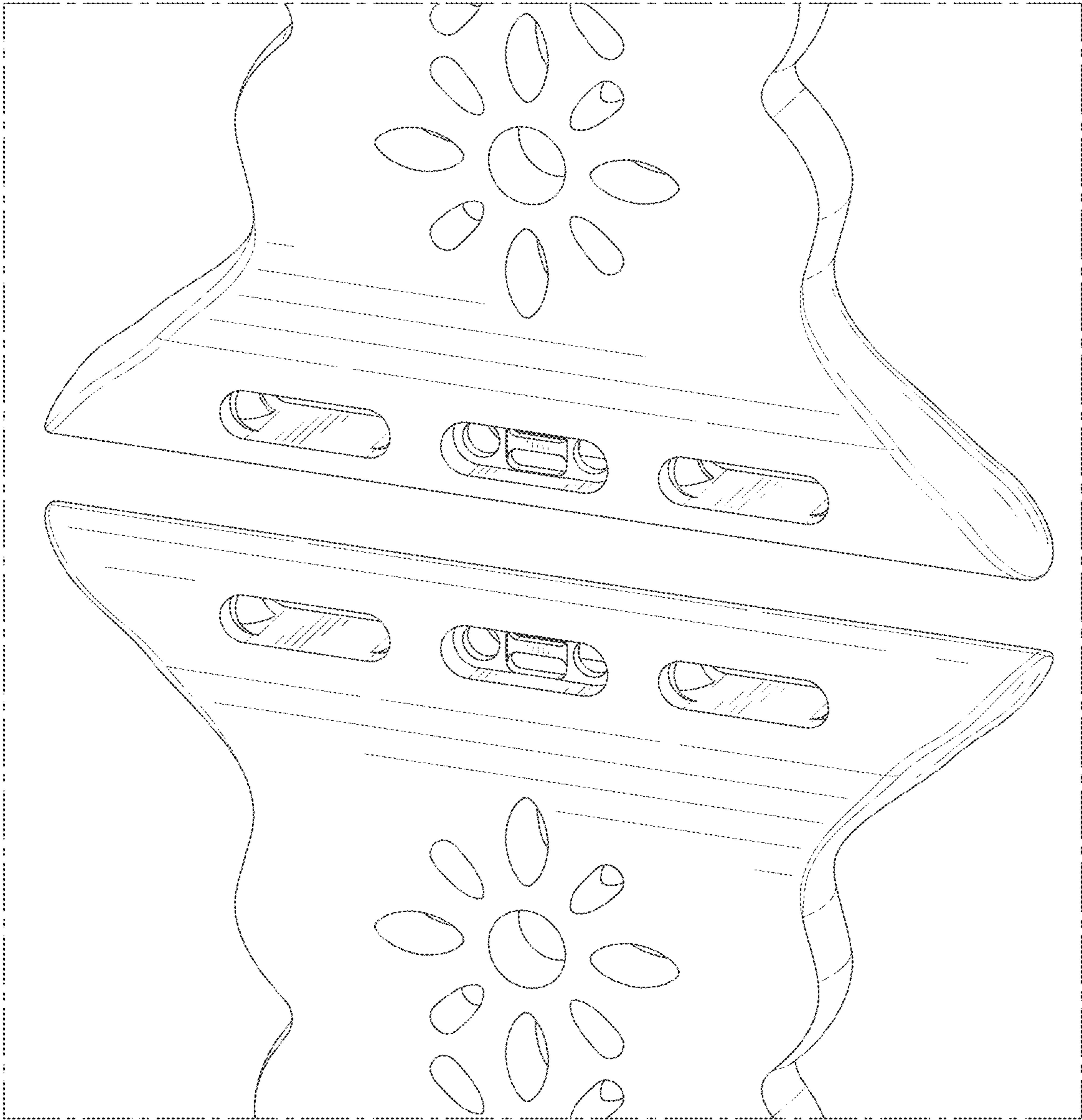


FIG. 9

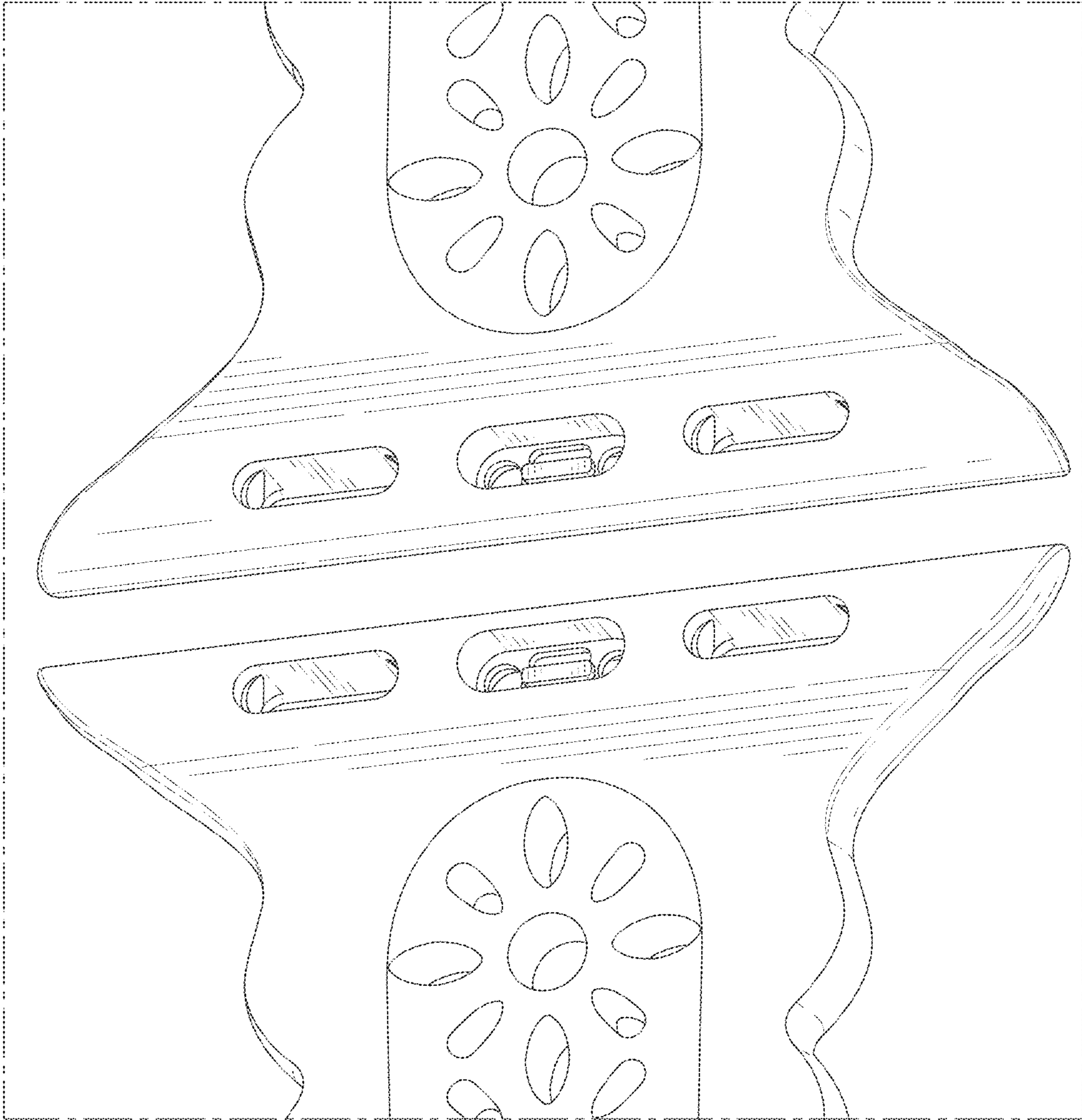


FIG. 10