



US00D968996S

(12) **United States Design Patent**
Zeng

(10) **Patent No.:** **US D968,996 S**
(45) **Date of Patent:** **** Nov. 8, 2022**

- (54) **DOORBELL BASE**
- (71) Applicant: **SHENZHEN YIZE INNOVATION TECHNOLOGY CO., LTD.**, Shenzhen (CN)
- (72) Inventor: **Dewen Zeng**, Shenzhen (CN)
- (73) Assignee: **SHENZHEN YIZE INNOVATION TECHNOLOGY CO., LTD.**, Shenzhen (CN)
- (**) Term: **15 Years**
- (21) Appl. No.: **29/801,451**
- (22) Filed: **Jul. 28, 2021**
- (51) **LOC (13) Cl.** **10-05**
- (52) **U.S. Cl.**
USPC **D10/121**
- (58) **Field of Classification Search**
USPC D10/121, 104.1
See application file for complete search history.

- D743,290 S * 11/2015 Welch D10/121
- D850,965 S * 6/2019 Laurans et al.
- D860,025 S * 9/2019 Illouz D10/106.2
- D887,884 S * 6/2020 Oliveros D10/121
- D925,384 S * 7/2021 England D10/121
- D932,931 S * 10/2021 Li D10/121
- D946,442 S * 3/2022 Russo D10/121
- D953,909 S * 6/2022 Pan D10/121

- (56) **References Cited**
U.S. PATENT DOCUMENTS
D281,865 S * 12/1985 Abel D10/106.1
5,659,286 A * 8/1997 Lin G10K 1/26
340/392.4
D482,981 S * 12/2003 Alonso D10/121
D579,810 S * 11/2008 Campman D10/104.1
D693,718 S * 11/2013 Romine D10/121

OTHER PUBLICATIONS

<https://www.amazon.com/Anti-Theft-Video-Doorbell-Door-Mount/dp/B096Y5D232/> (Year: 2021).*

* cited by examiner

Primary Examiner — George D. Kirschbaum

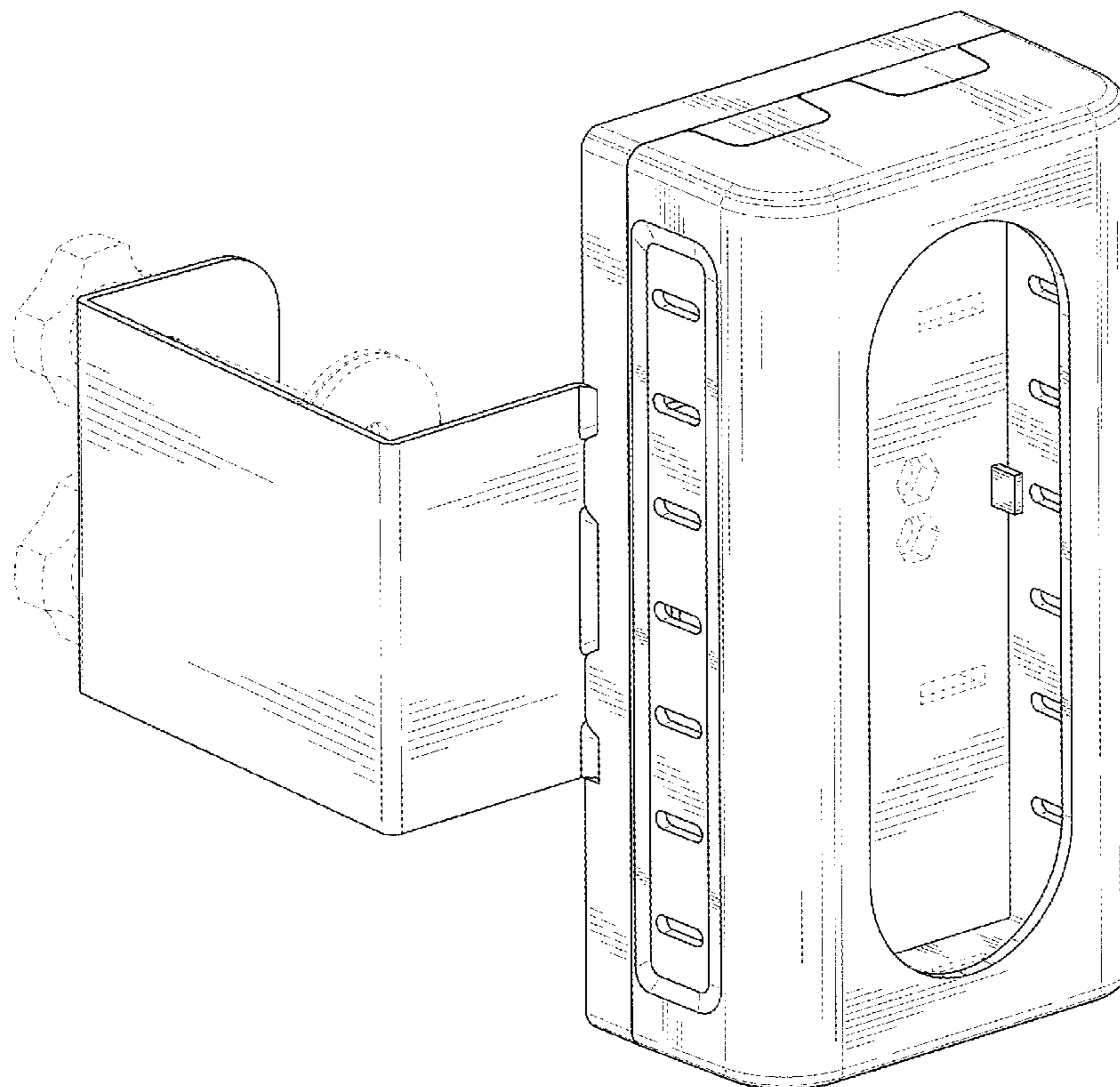
(57) **CLAIM**

The ornamental design for a doorbell base, as shown and described.

DESCRIPTION

FIG. 1 is a perspective view of a doorbell base showing my new design;
 FIG. 2 is another perspective view thereof;
 FIG. 3 is a front elevational view thereof;
 FIG. 4 is a rear elevational view thereof;
 FIG. 5 is a left side elevational view thereof;
 FIG. 6 is a right side elevational view thereof;
 FIG. 7 is a top plan view thereof; and,
 FIG. 8 is a bottom plan view thereof.
 The broken lines in the drawings depict portions of the doorbell base that form no part of the claimed design.

1 Claim, 8 Drawing Sheets



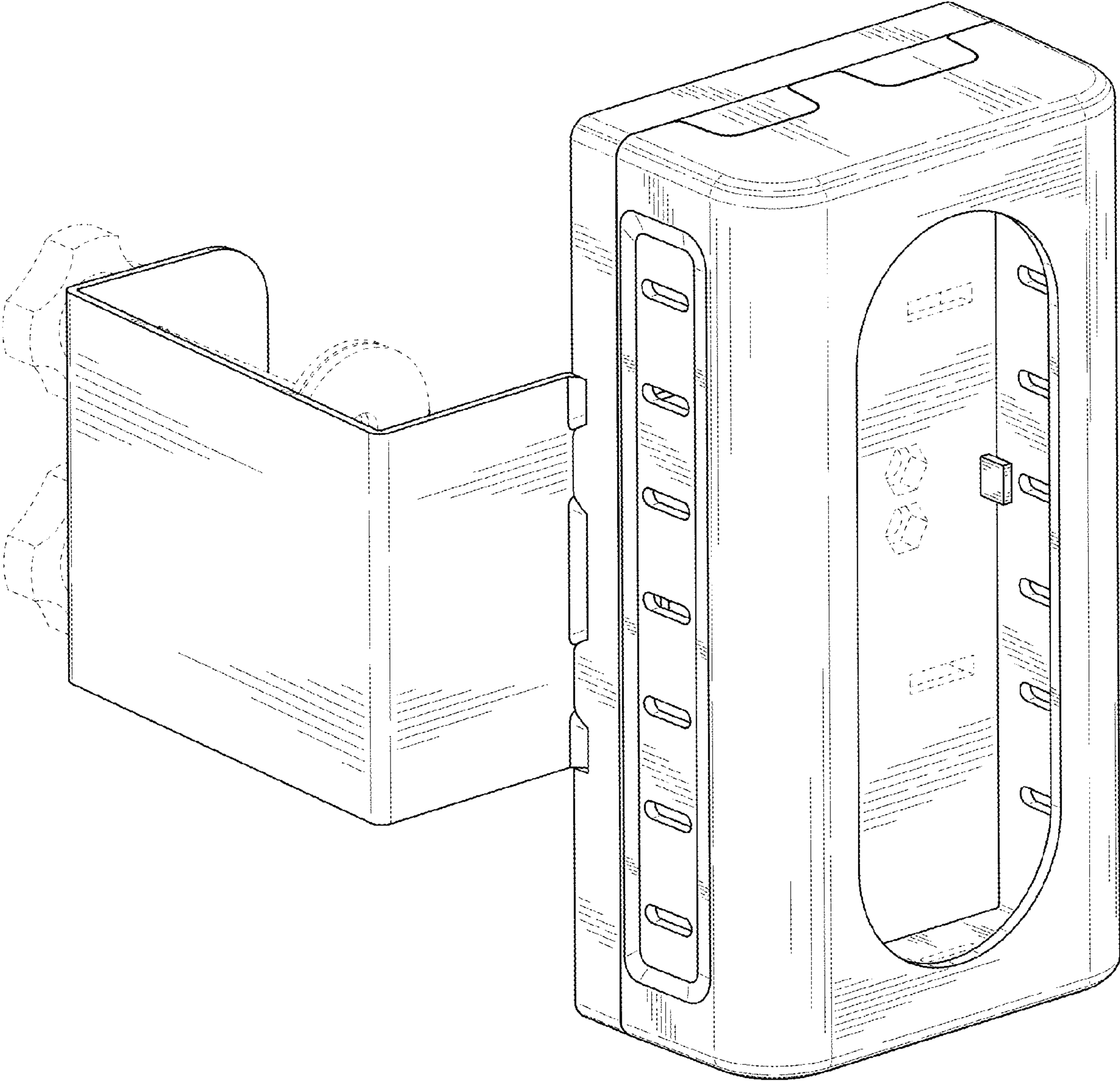


FIG. 1

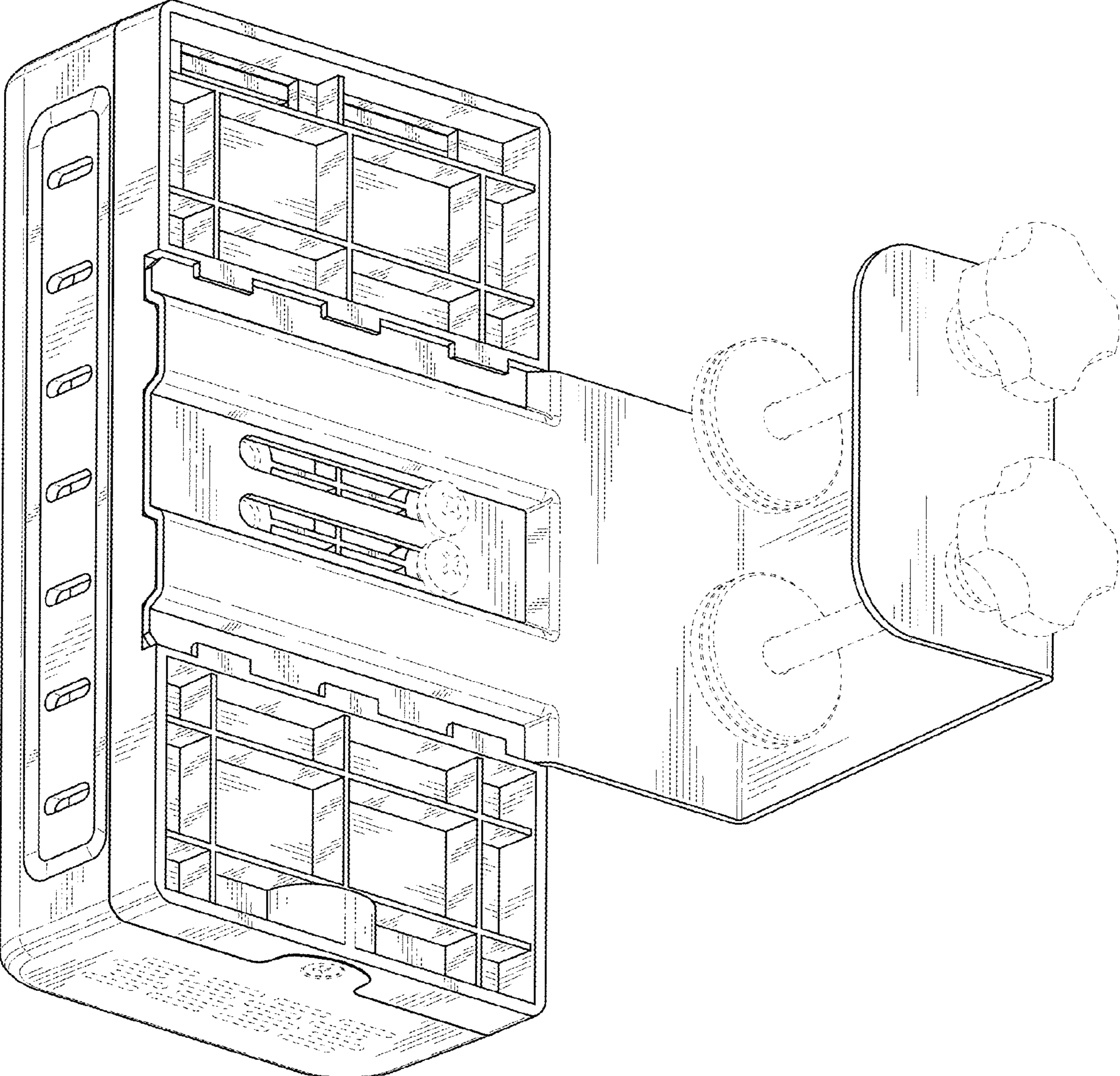


FIG. 2

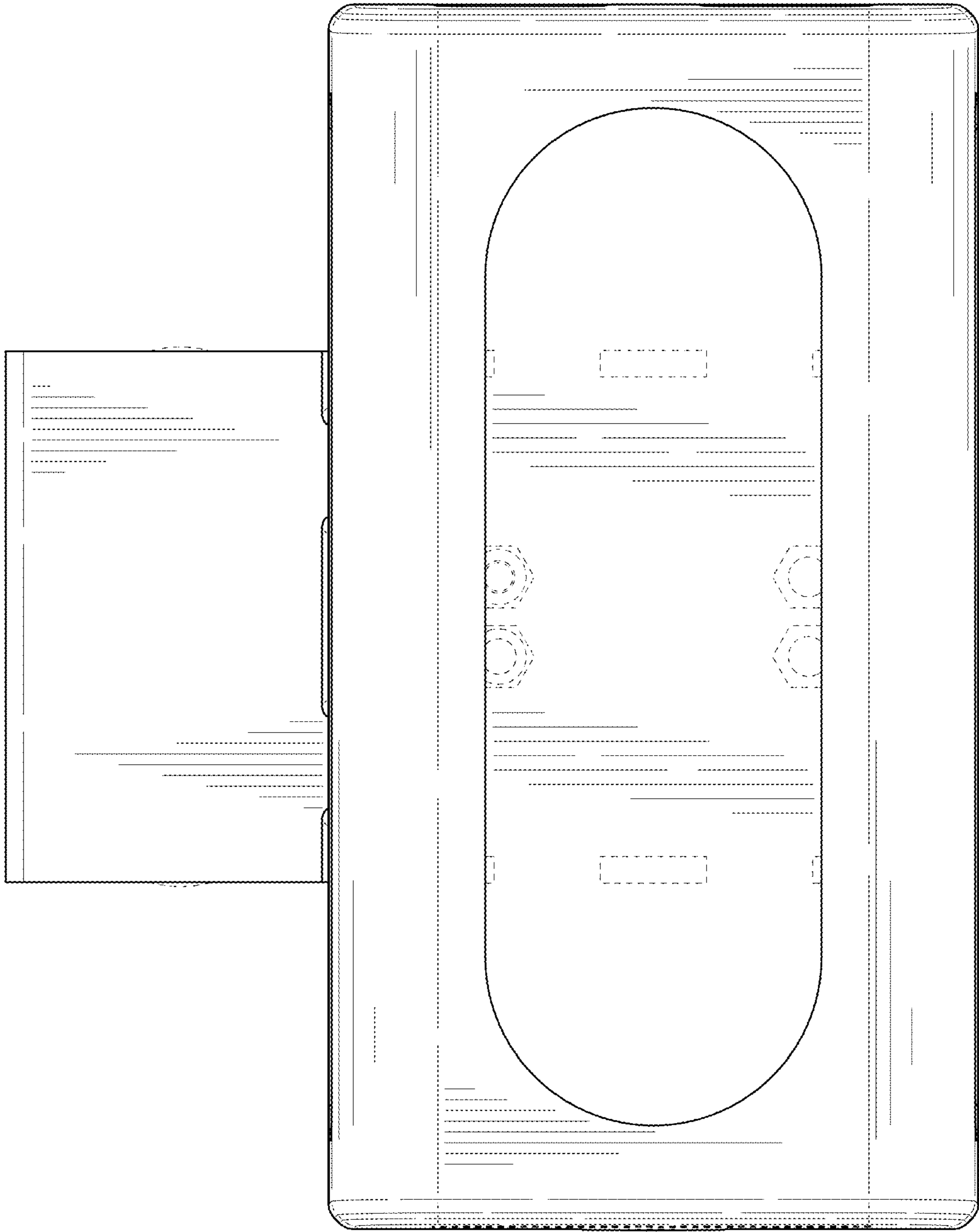


FIG. 3

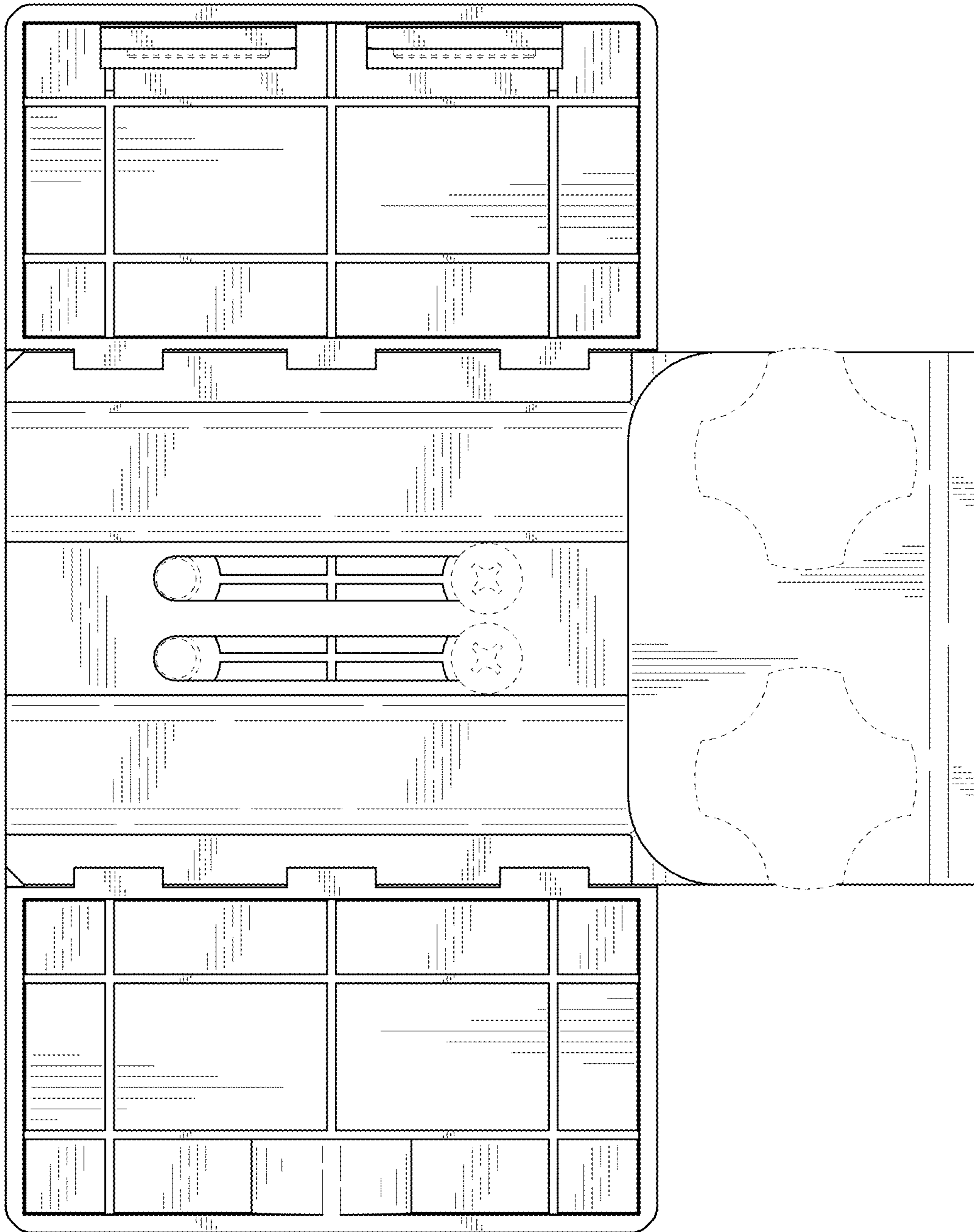


FIG. 4

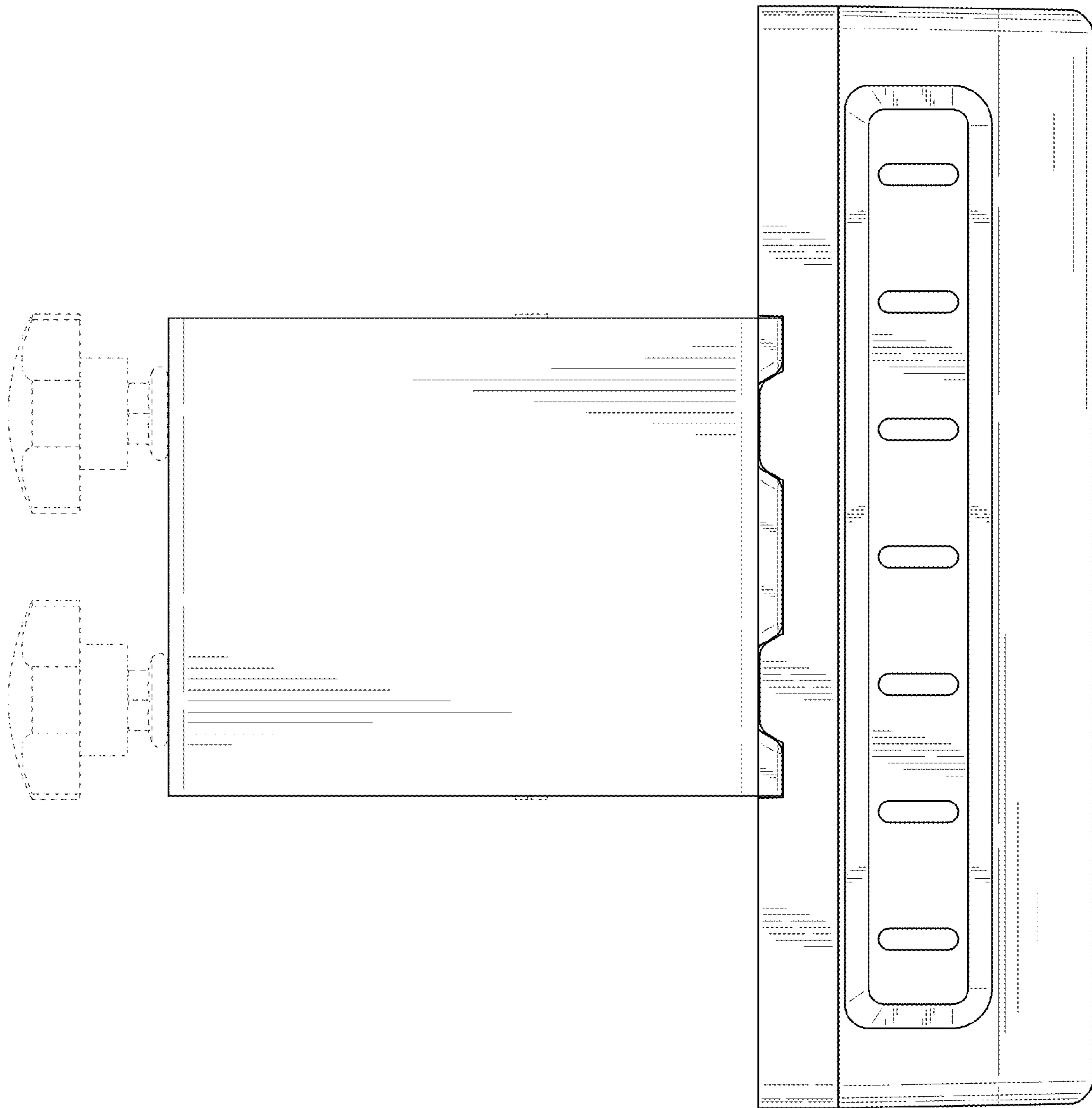


FIG. 5

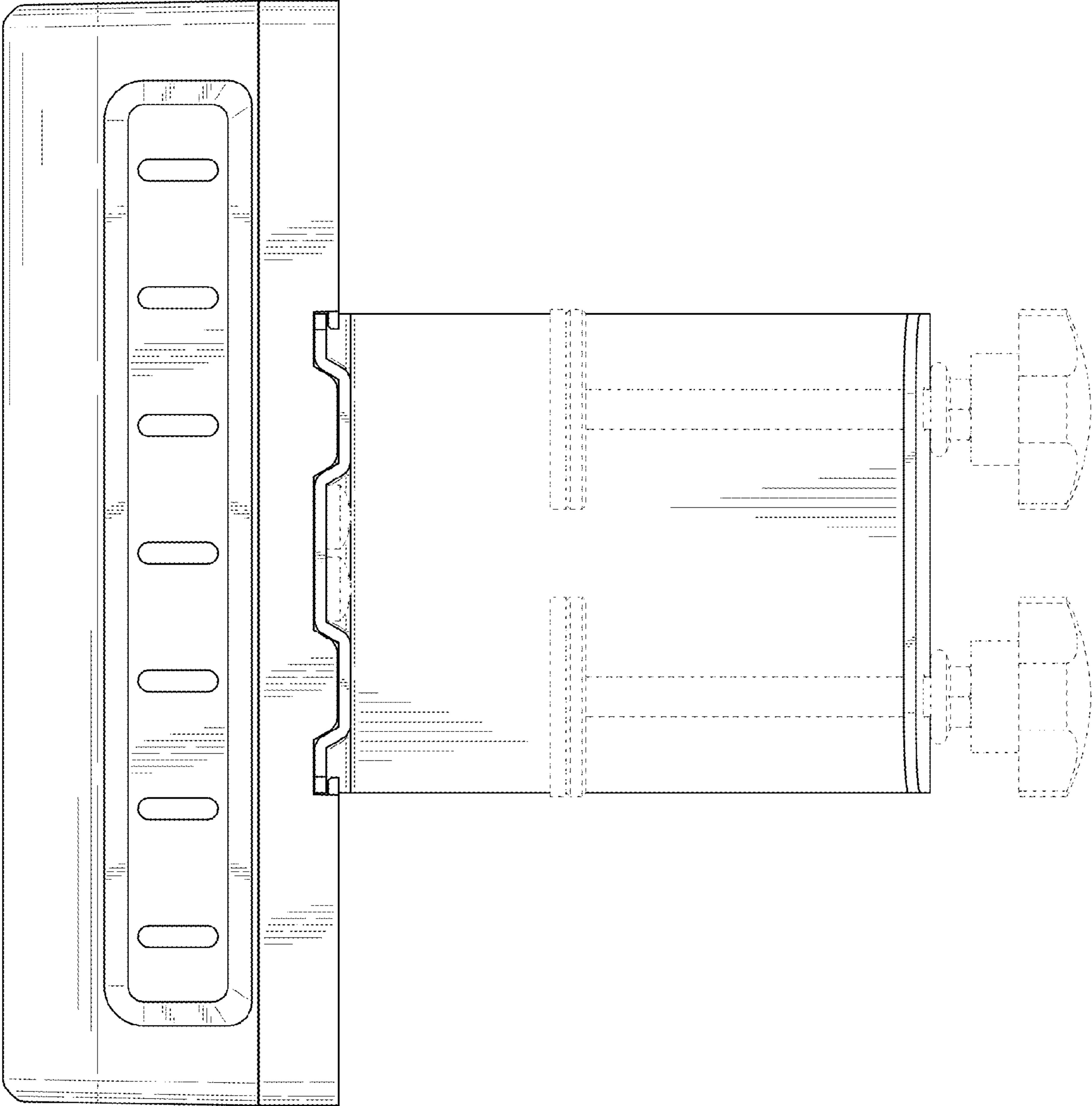


FIG. 6

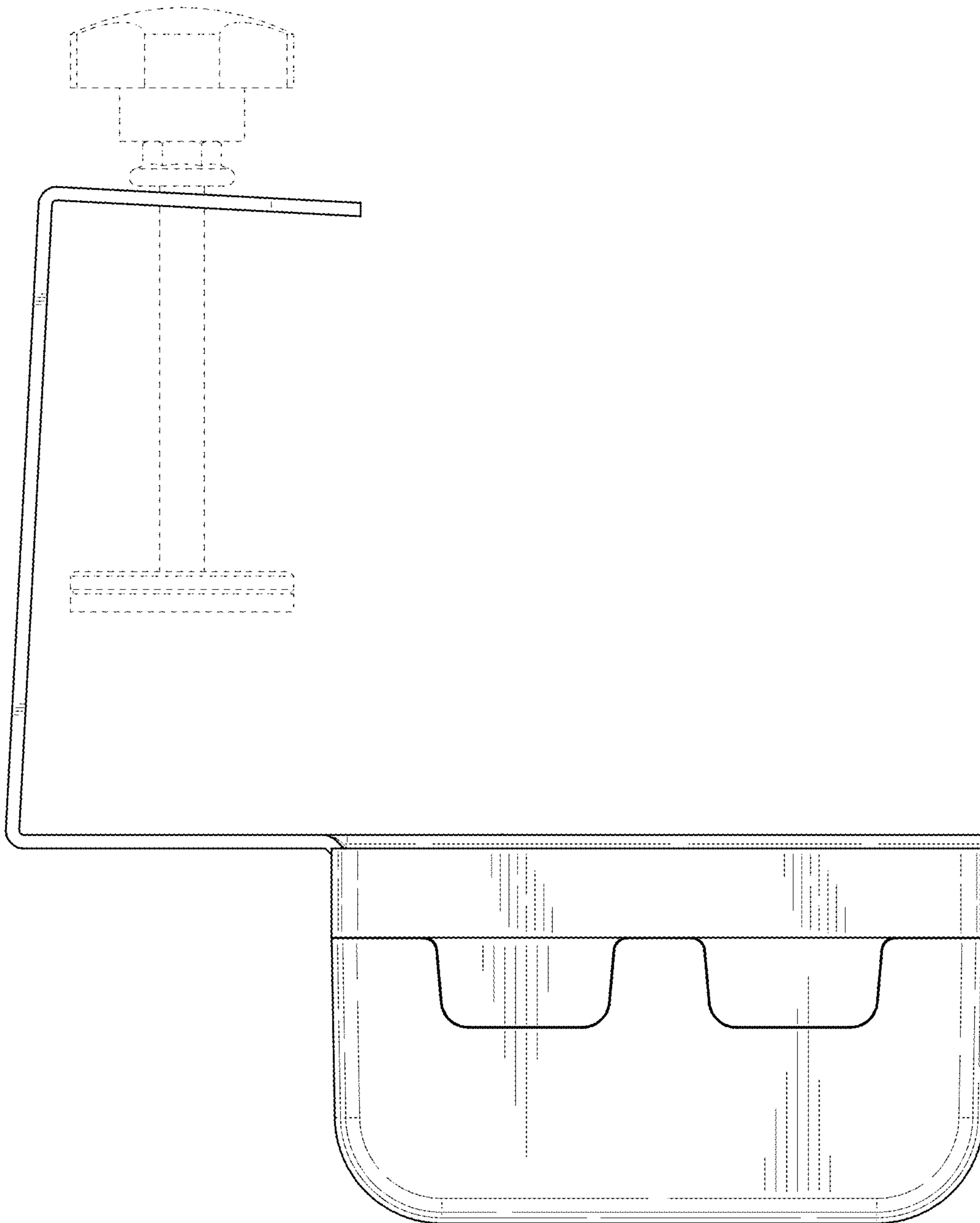


FIG. 7

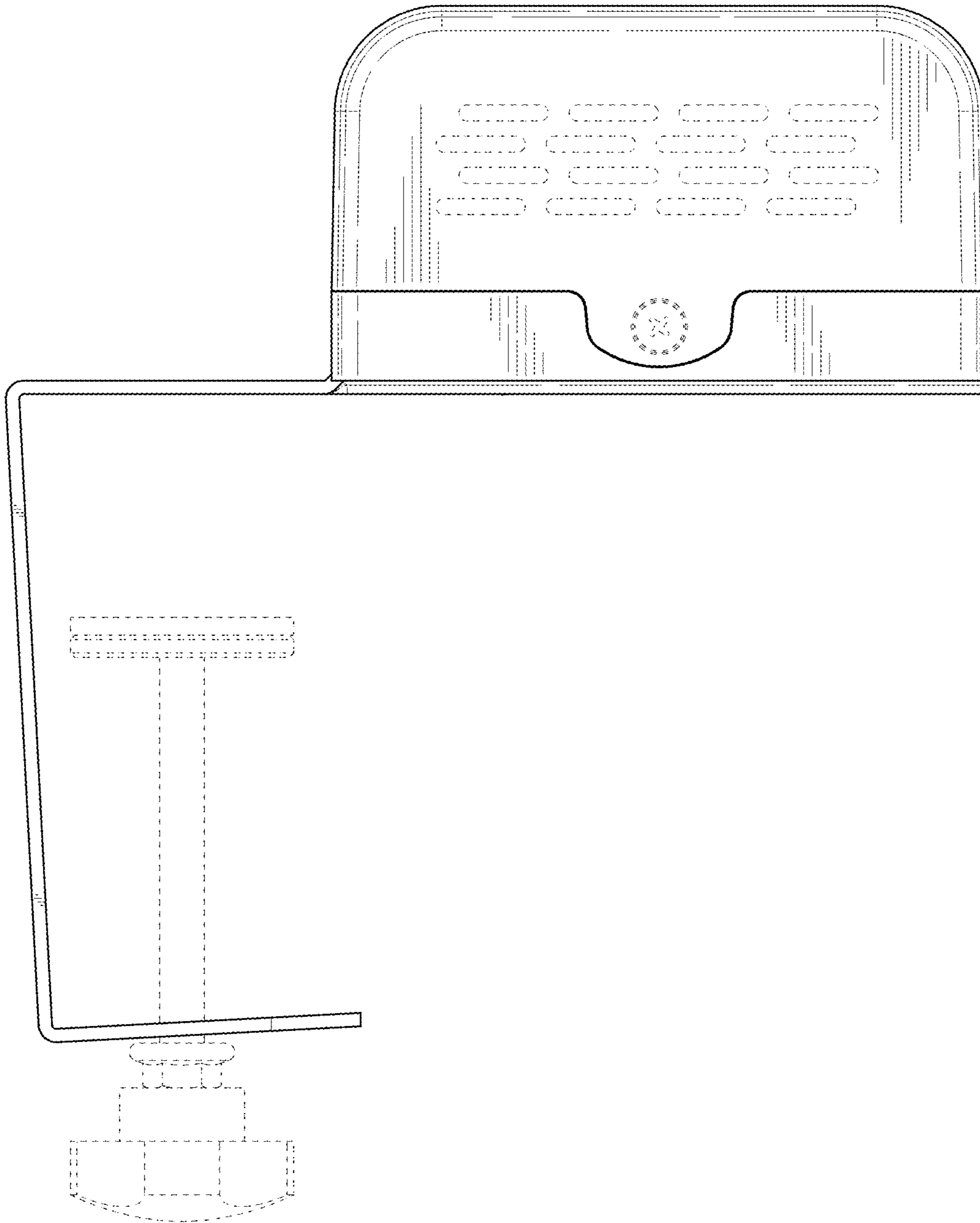


FIG. 8